



US00D905539S

(12) **United States Design Patent**
Wheeler

(10) **Patent No.:** **US D905,539 S**

(45) **Date of Patent:** **** Dec. 22, 2020**

(54) **COMBINATION OF BRACKETS WITH LUMBER OR ENGINEERED WOOD PRODUCT FOR METAL STUD WALLS**

Assistant Examiner — Harold E Blackwell, II
(74) *Attorney, Agent, or Firm* — Jonathan A. Bay

(71) Applicant: **Markham Wheeler**, Strafford, MO (US)

(57) **CLAIM**

The ornamental design for a combination of brackets with lumber or engineered wood product for metal stud walls, as shown and described.

(72) Inventor: **Markham Wheeler**, Strafford, MO (US)

(**) Term: **15 Years**

DESCRIPTION

(21) Appl. No.: **29/729,275**

(22) Filed: **Mar. 25, 2020**

Related U.S. Application Data

(63) Continuation-in-part of application No. 29/703,549, filed on Aug. 28, 2019, now abandoned.

(51) **LOC (12) Cl.** **08-05**

(52) **U.S. Cl.**
USPC **D8/354; D8/349**

(58) **Field of Classification Search**
USPC D8/330, 349, 352–354, 363, 364, 366, D8/371–373, 380–382, 384, 400, 499; D12/162

(Continued)

(56) **References Cited**

U.S. PATENT DOCUMENTS

2,807,431 A * 9/1957 McHale B44D 3/123
248/113
D263,788 S * 4/1982 McKinnon D8/394

(Continued)

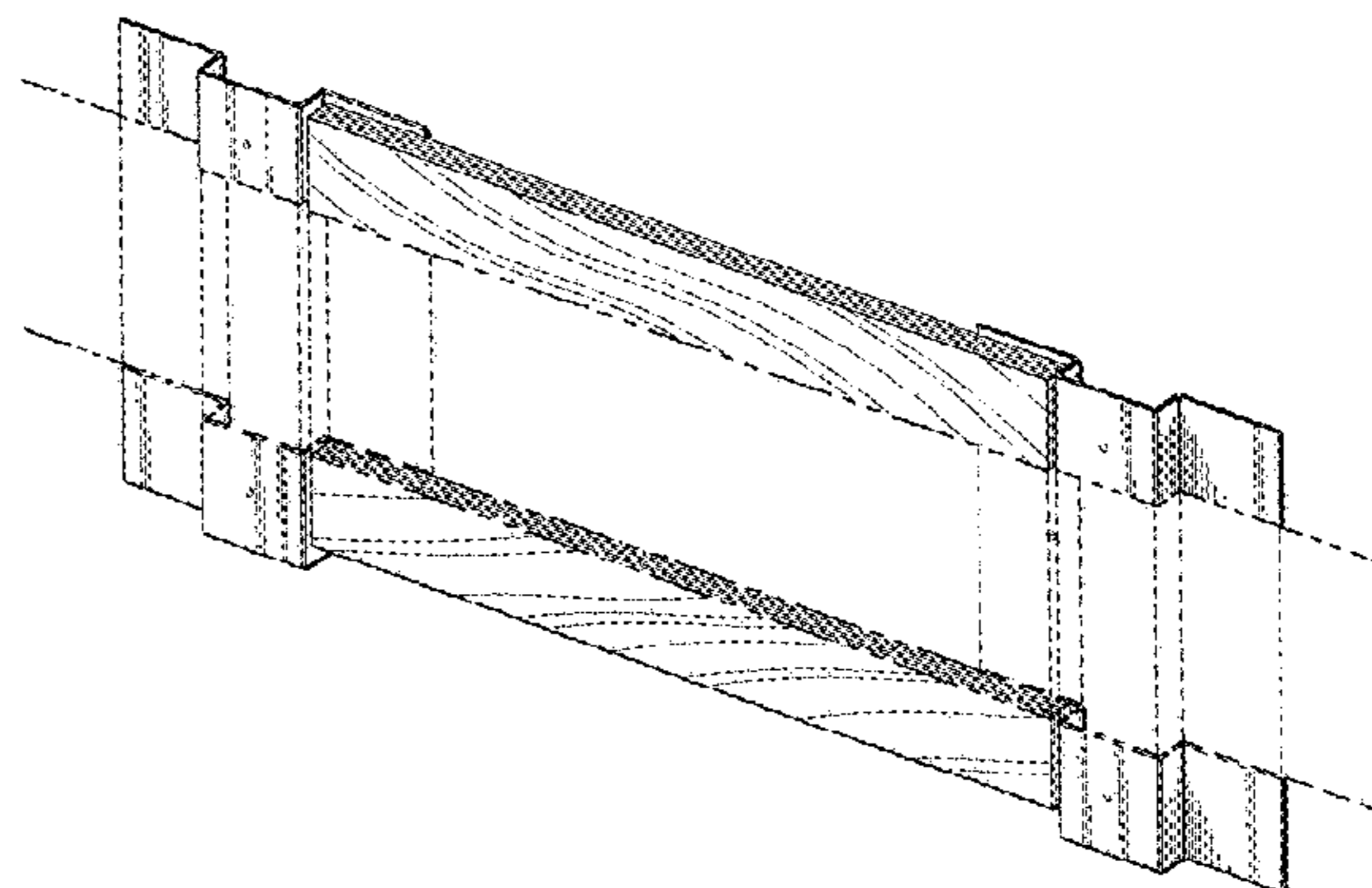
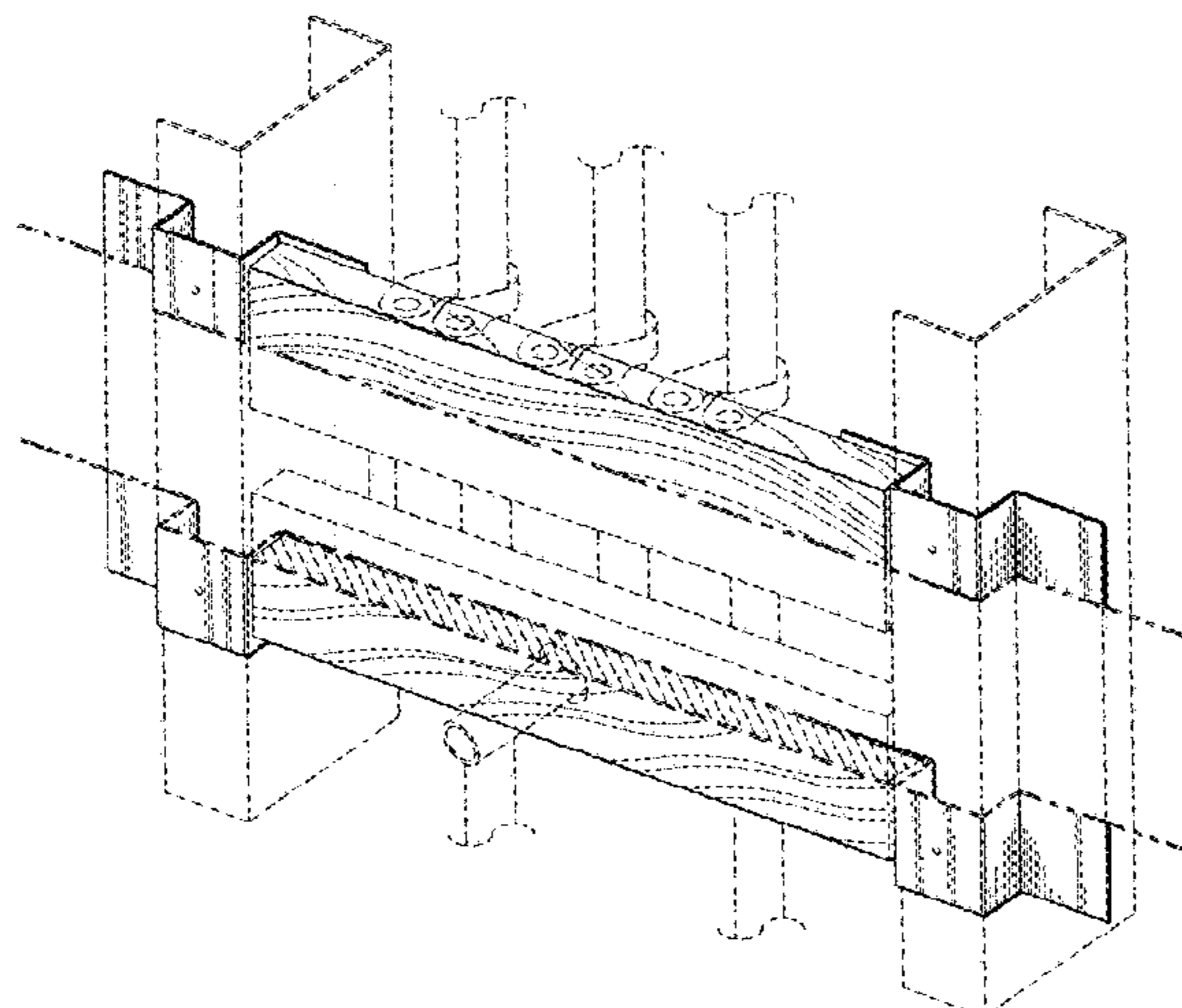
OTHER PUBLICATIONS

www.jorgensonrolling.com, Date: Apr. 3, 2018 (Year: 2018) <http://web.archive.org/web/20080403015513/http://jorgensonrolling.com:80/platesheetbending.html>.

Primary Examiner — Keli L Hill

FIG. 1 is a front perspective view of the first embodiment of a combination of brackets with lumber or engineered wood product for metal stud walls, showing my new design; FIG. 2 is an enlarged-scale front perspective view of FIG. 1, with portions of environment broken away; FIG. 3 is a front perspective view comparable to FIG. 2 except with all environment removed from view; FIG. 4 is front elevational view of FIG. 3; FIG. 5 is a top plan view thereof; FIG. 6 is a bottom plan view thereof; FIG. 7 is a right side elevational view thereof, the opposite side a mirror image thereof; FIG. 8 is a section view taken along line VIII-VIII in FIG. 4; FIG. 9 is a rear elevational view thereof; FIG. 10 is a front perspective view of the second embodiment of a combination of brackets with lumber or engineered wood product for metal stud walls, showing my new design; FIG. 11 is a front perspective view comparable to FIG. 10 except with all environment removed from view; FIG. 12 is front elevational view of FIG. 11; FIG. 13 is a top plan view thereof; FIG. 14 is a bottom plan view thereof; FIG. 15 is a right side elevational view thereof, the opposite side a mirror image thereof; FIG. 16 is a section view taken along line XVI-XVI in FIG. 12; and, FIG. 17 is a rear elevational view thereof. The dot dot dash lines immediately adjacent to the shaded areas represent bounds of the claimed design. All other

(Continued)



broken lines are included for the purpose of illustrating portions of the article that and form no part of the claimed design.

1 Claim, 13 Drawing Sheets

(58) Field of Classification Search

CPC G09F 17/00; G09F 2017/005; G09F 2017/0058; F16L 3/02; Y10T 24/44; Y10T 24/1437

See application file for complete search history.

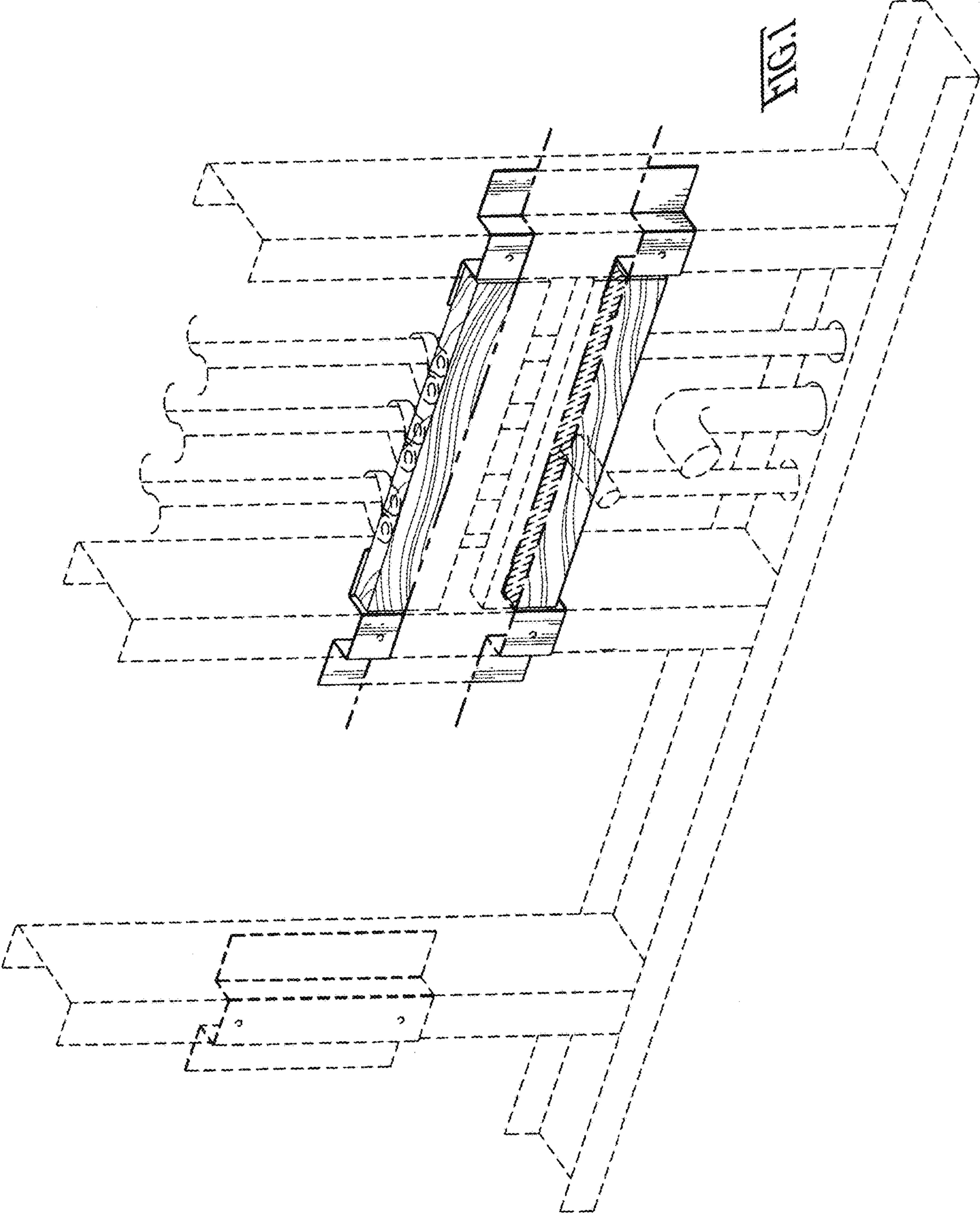
(56) References Cited

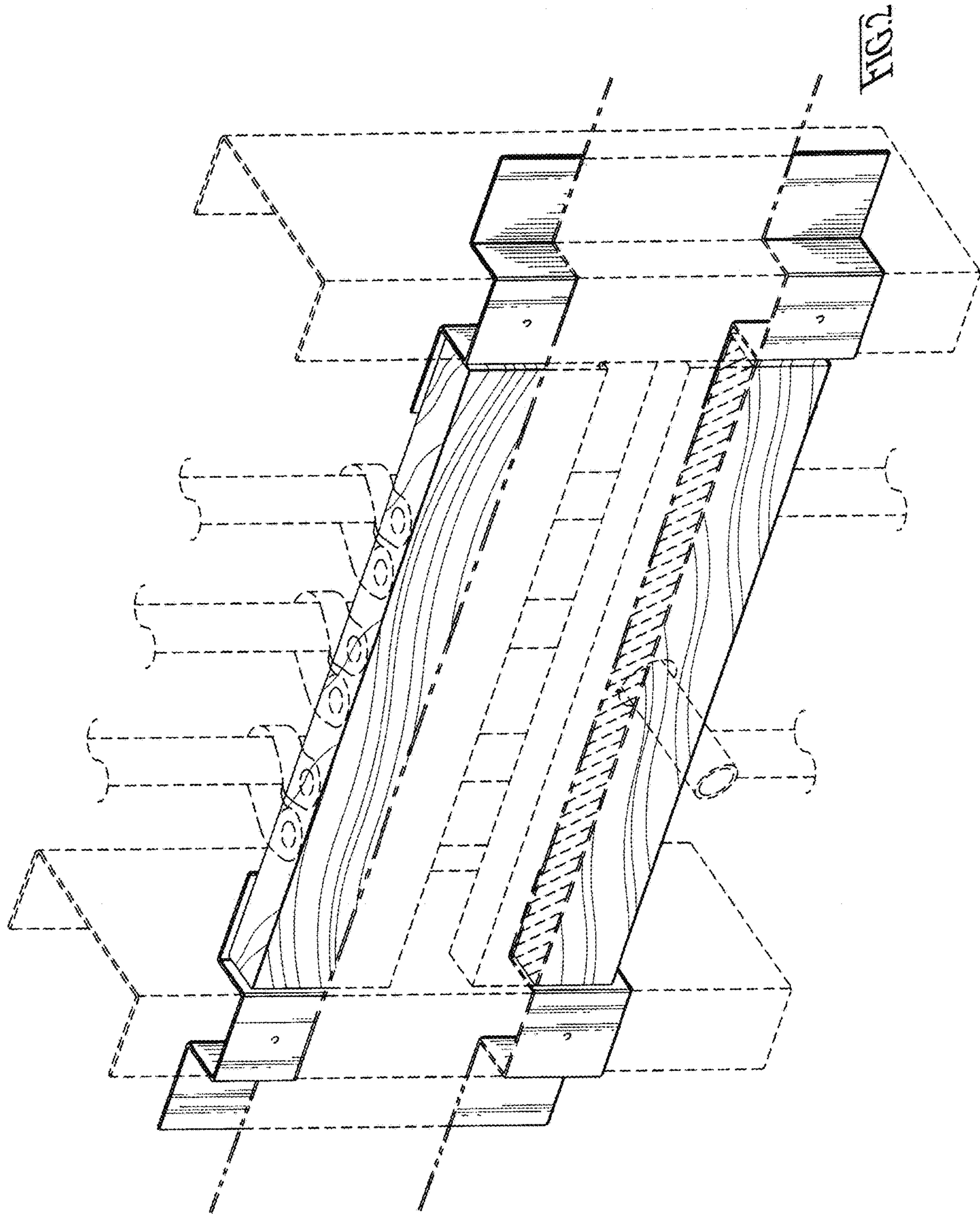
U.S. PATENT DOCUMENTS

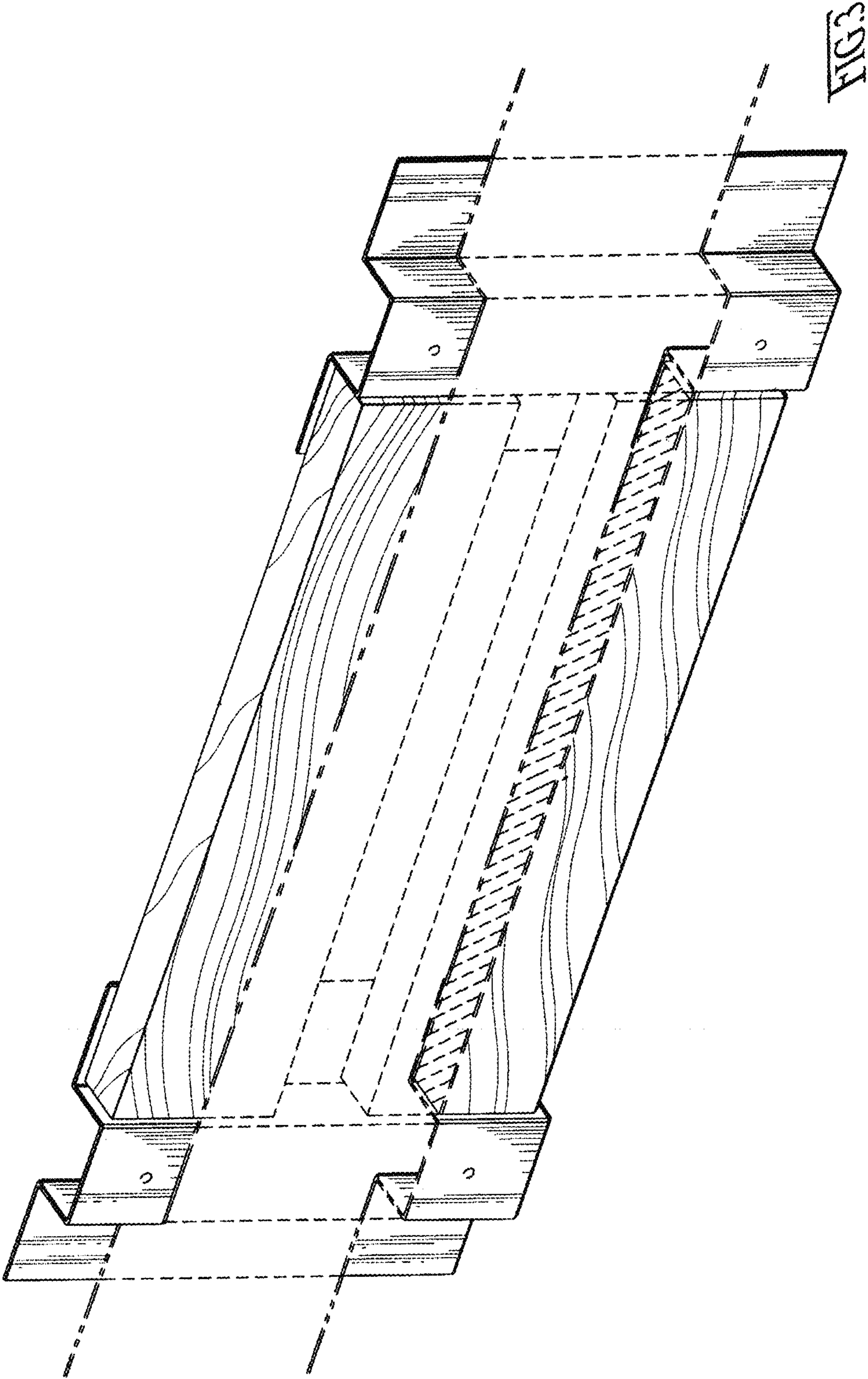
4,685,263	A	8/1987	Ting	E04H 1/00
4,768,322	A	9/1988	Kafarowski	E04B 2/88
4,783,941	A	11/1988	Loper et al.	E04H 1/00
5,048,254	A	9/1991	Merlau	E04B 1/41
D342,011	S *	12/1993	Maguire	D8/349
5,417,050	A	5/1995	Cosentino	E04B 1/38

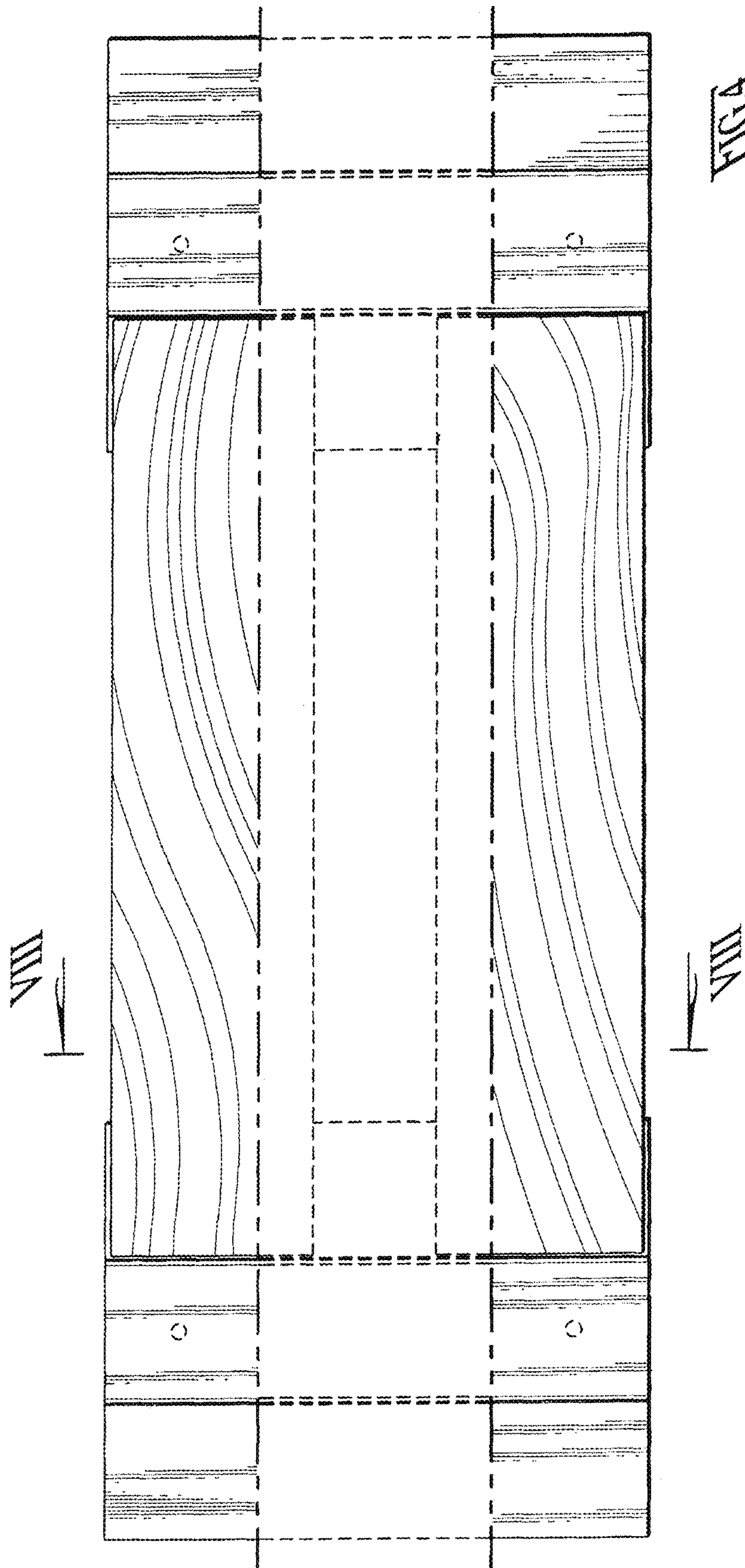
5,555,690	A	9/1996	Cosentino	E04B 2/00
6,250,035	B1	6/2001	Bristow et al.	E04B 2/18
6,360,510	B1 *	3/2002	Woodrum	E04B 2/62
					52/36.2
6,612,090	B1	9/2003	Corden	E04B 2/00
7,841,147	B2	11/2010	Moran	E04B 9/00
D653,592	S *	2/2012	Brown	D12/162
8,826,620	B2	9/2014	Krause	E04F 13/12
9,021,767	B1	5/2015	Barrett, Jr. et al.	..	E04B 2/7457
D732,373	S *	6/2015	Wagner	D8/349
D742,540	S *	11/2015	Singh	D25/119
D742,543	S *	11/2015	Singh	D25/119
9,464,442	B1	10/2016	Olczyk et al.	E04F 13/0862
D774,874	S *	12/2016	Wentzel	D8/349
9,551,182	B2 *	1/2017	Svehlek	E06C 7/505
D814,058	S *	3/2018	Singh	E04F 19/062
					D25/119
D829,079	S *	9/2018	Halling	D8/349
D847,607	S *	5/2019	Granberg	D8/349
D847,629	S *	5/2019	Bergeron	D9/435
2007/0063118	A1 *	3/2007	Owens	A47C 13/005
					248/300
2014/0264220	A1 *	9/2014	Doyle	E04H 17/1421
					256/65.06

* cited by examiner









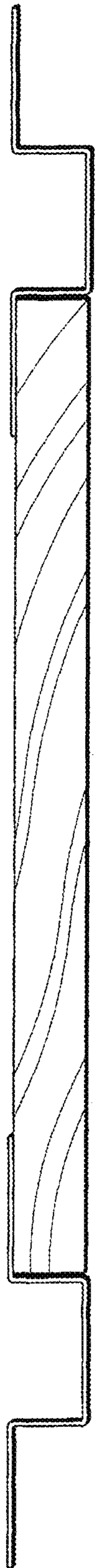


FIG. 5

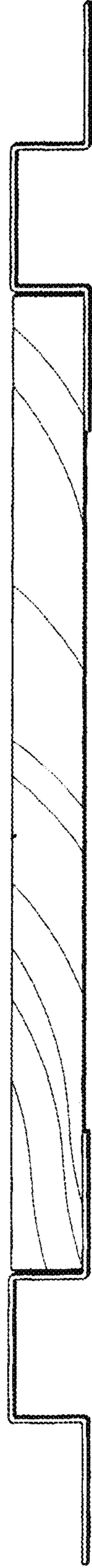


FIG. 6

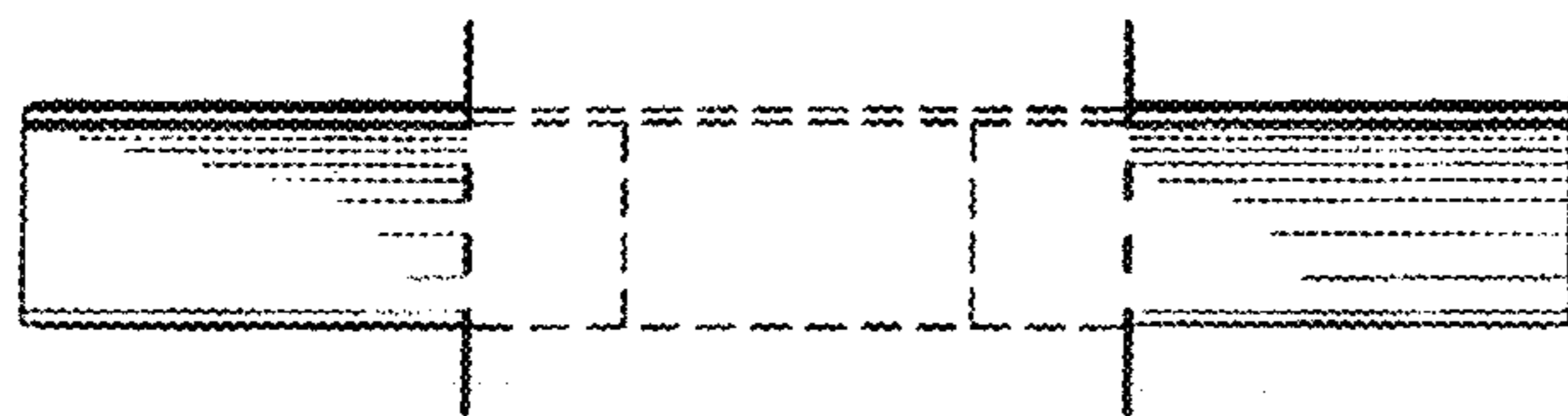


FIG. 7

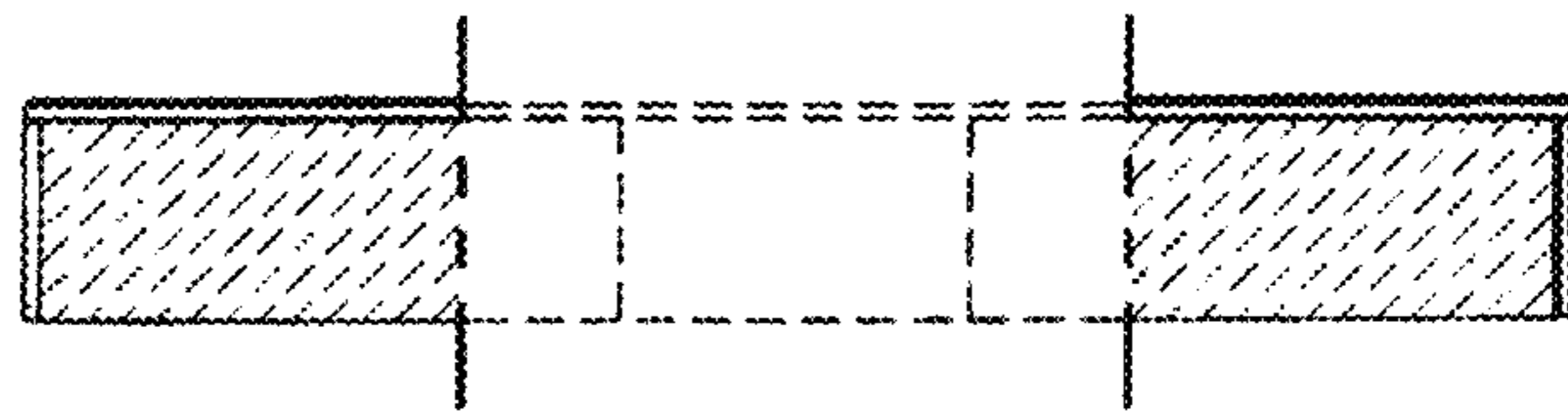


FIG. 8

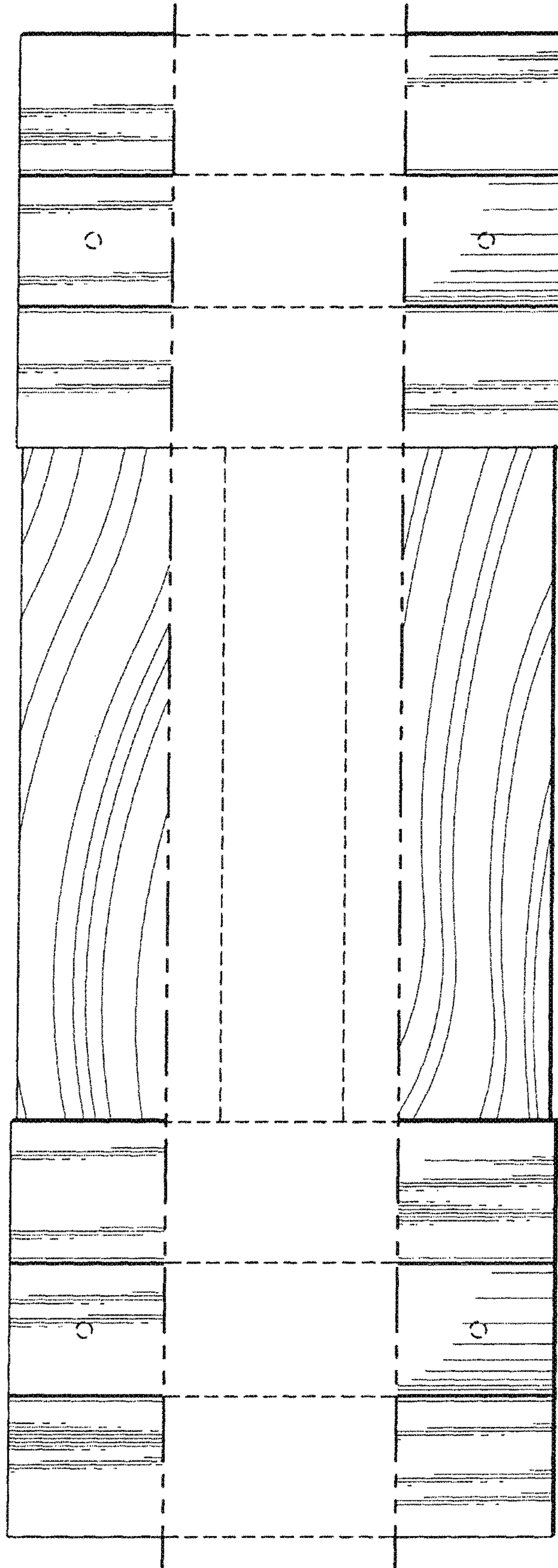
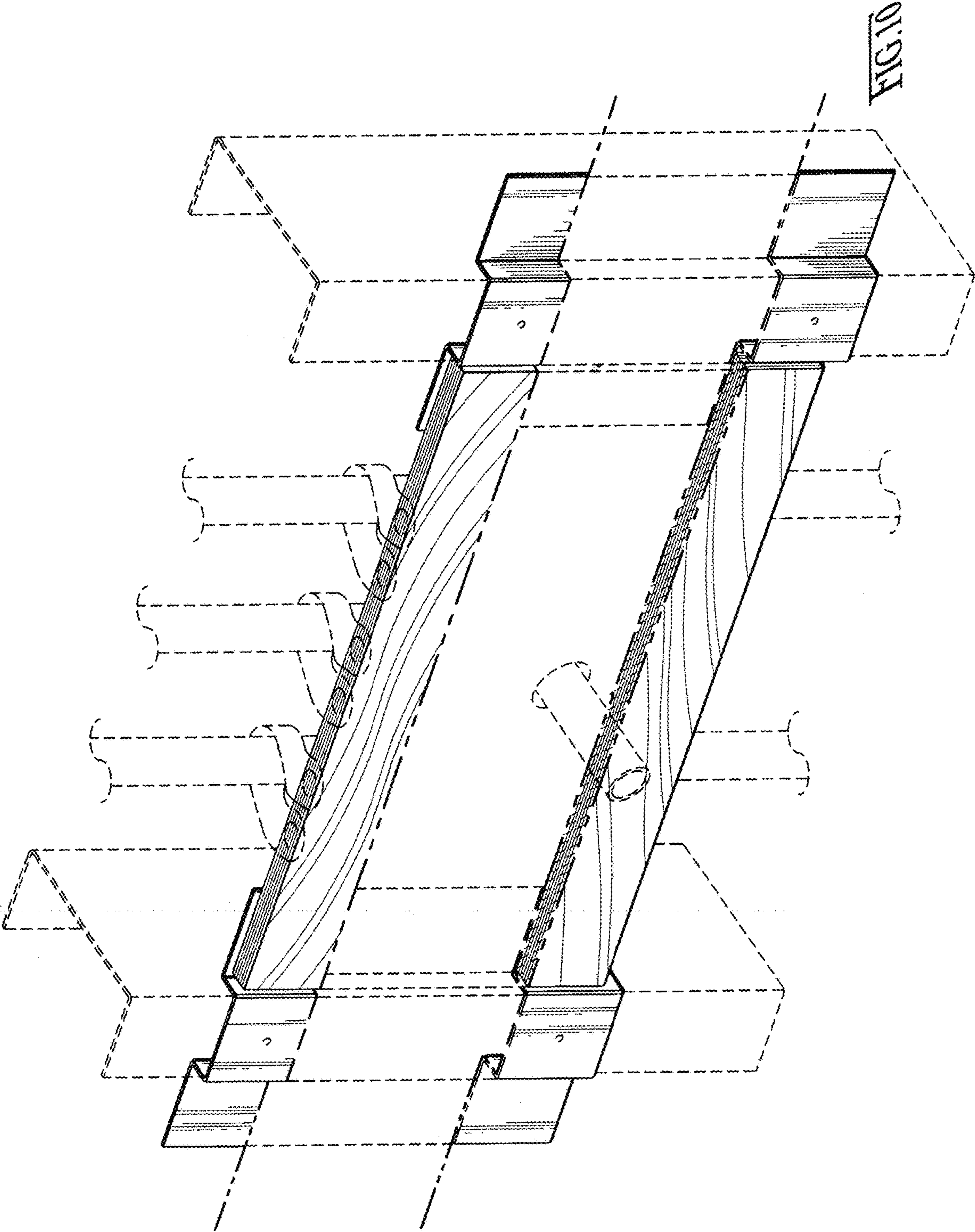
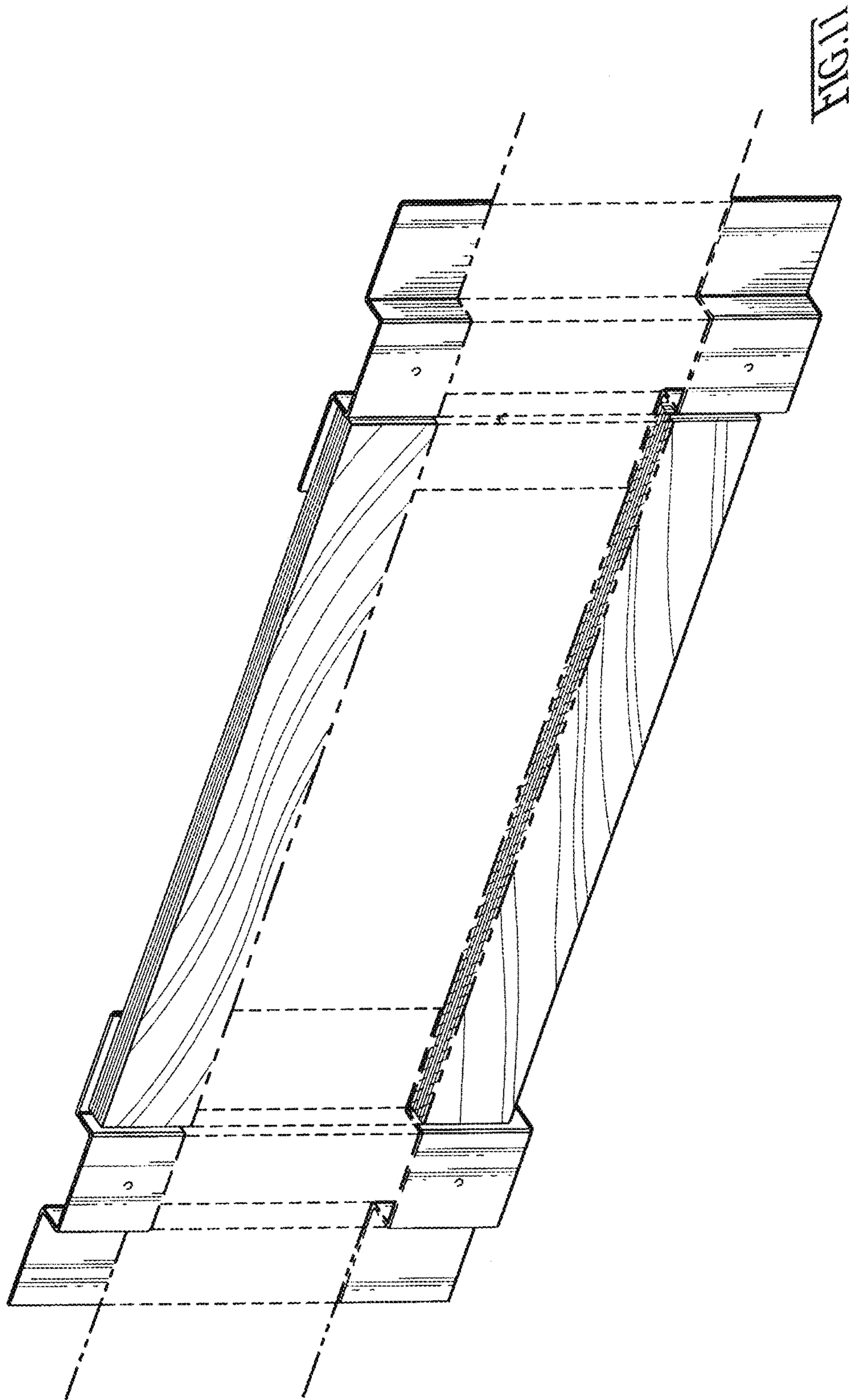


FIG. 9





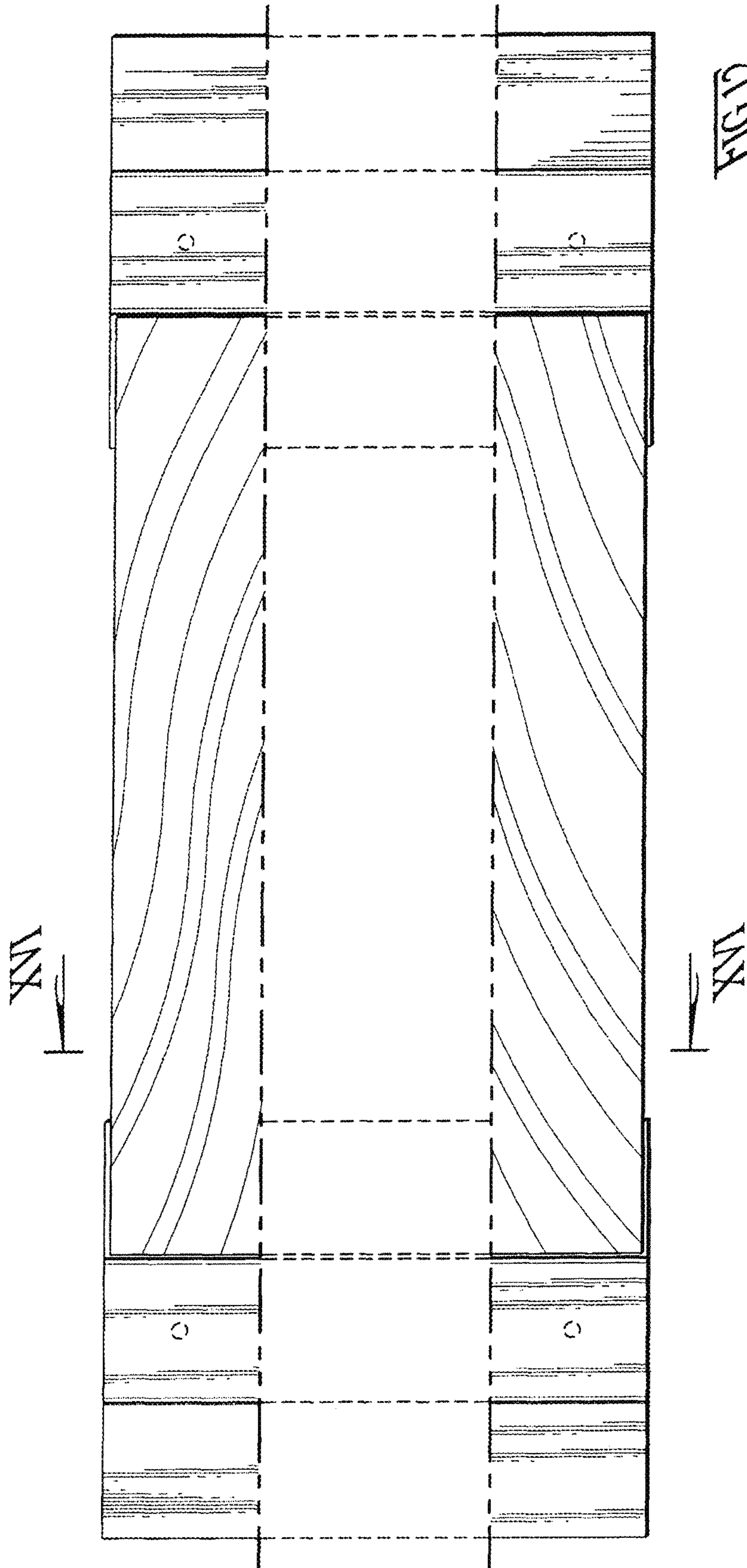




FIG. 13



FIG. 1A

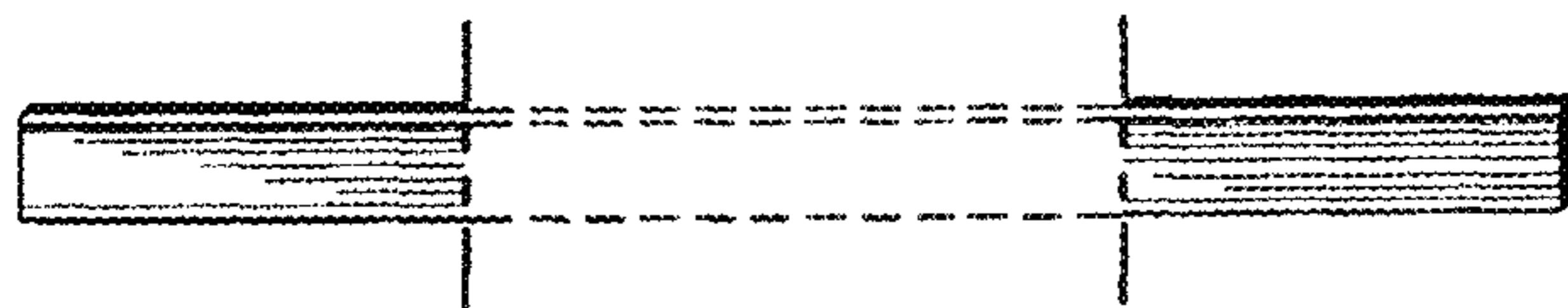


FIG. 15

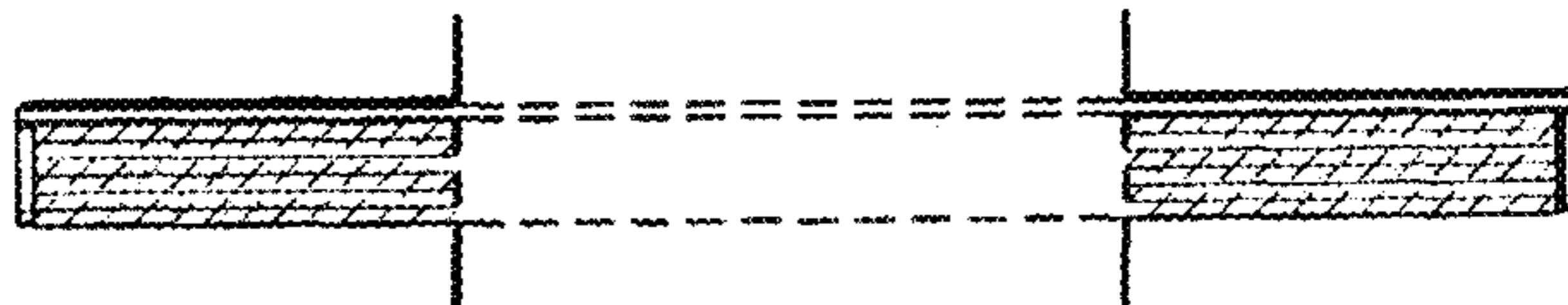


FIG. 16

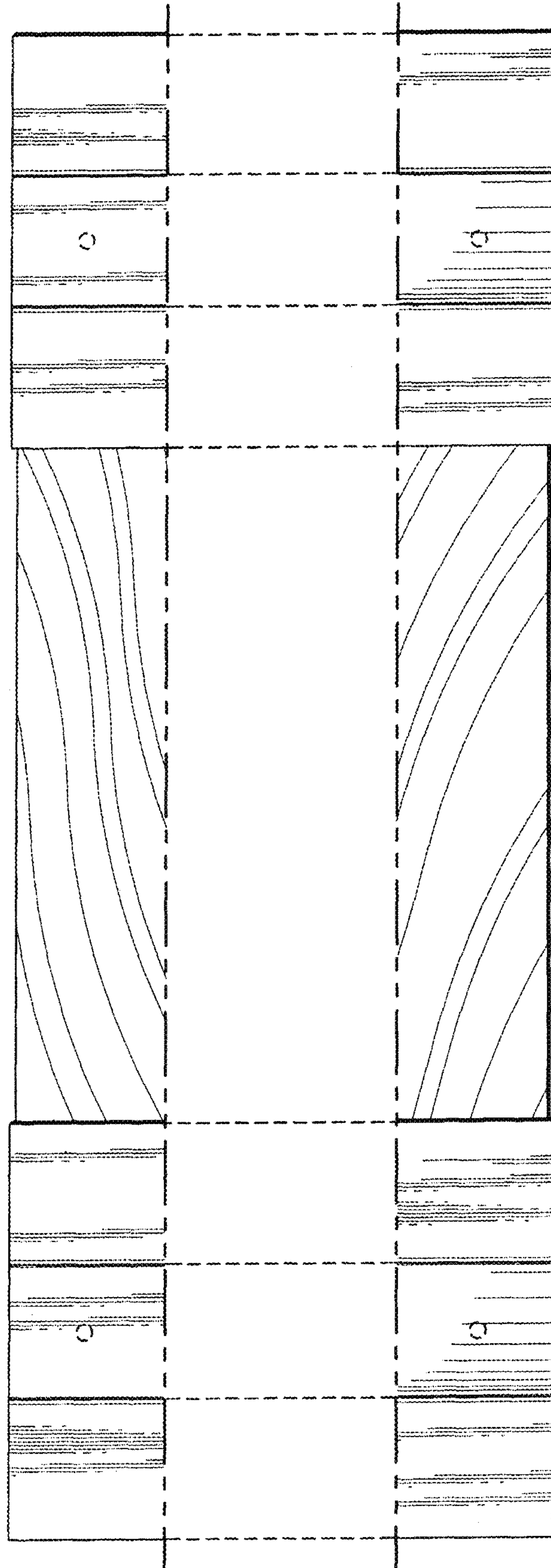


FIG. 17