



US00D905538S

(12) **United States Design Patent** (10) **Patent No.:** **US D905,538 S**  
**Parihar et al.** (45) **Date of Patent:** **\*\* Dec. 22, 2020**

(54) **SUPPORT BRACKET** D737,863 S \* 9/2015 Singh ..... D8/354  
D777,793 S \* 1/2017 Singh ..... D8/354  
(71) Applicant: **Transportation IP Holdings, LLC,** D821,850 S \* 7/2018 Tyrer ..... D8/354  
Norwalk, CT (US)

(72) Inventors: **Ravindra Pratap Singh Parihar,**  
Bangalore (IN); **Samir Vikas Joshi,**  
Bangalore (IN); **Sandeep Kanzal**  
**Venkatesha,** Bangalore (IN)

(73) Assignee: **TRANSPORTATION IP HOLDINGS,**  
**LLC,** Norwalk, CT (US)

(\*\*) Term: **15 Years**

(21) Appl. No.: **29/700,903**

(22) Filed: **Aug. 6, 2019**

(51) **LOC (12) Cl.** ..... **08-05**

(52) **U.S. Cl.**  
USPC ..... **D8/354**

(58) **Field of Classification Search**  
USPC ..... D8/16, 350, 353, 354, 364, 366, 499,  
D8/380, 381, 371, 373, 349, 356, 396;  
D15/7-9; D23/231, 232, 225  
CPC ... F16L 3/22; F16L 3/223; F16L 3/237; F16L  
3/24

See application file for complete search history.

(56) **References Cited**

**U.S. PATENT DOCUMENTS**

D55,628 S \* 7/1920 Mason ..... D15/5  
3,944,264 A \* 3/1976 Mong ..... F16L 19/0653  
285/124.4  
D564,863 S \* 3/2008 Grevis ..... D8/354  
7,637,381 B2 \* 12/2009 Foxx ..... B61G 7/00  
213/76

**OTHER PUBLICATIONS**

Parihar, R. et al., "An Ornamental Design for an Elbow Pipe Apparatus," U.S. Appl. No. 29/700,906, filed Aug. 6, 2019, 10 pages.

Parihar, R. et al., "An Ornamental Design for an Elbow Pipe Apparatus," U.S. Appl. No. 29/700,908, filed Aug. 6, 2019, 11 pages.

\* cited by examiner

*Primary Examiner* — Keli L Hill

*Assistant Examiner* — Harold E Blackwell, II

(74) *Attorney, Agent, or Firm* — McCoy Russell LLP

(57) **CLAIM**

The ornamental design for a support bracket, as shown and described.

**DESCRIPTION**

FIG. 1 is a front-right perspective view of a support bracket according to the present invention.

FIG. 2 is a rear-left perspective view of the support bracket.

FIG. 3 is a front view of the support bracket.

FIG. 4 is a rear view of the support bracket.

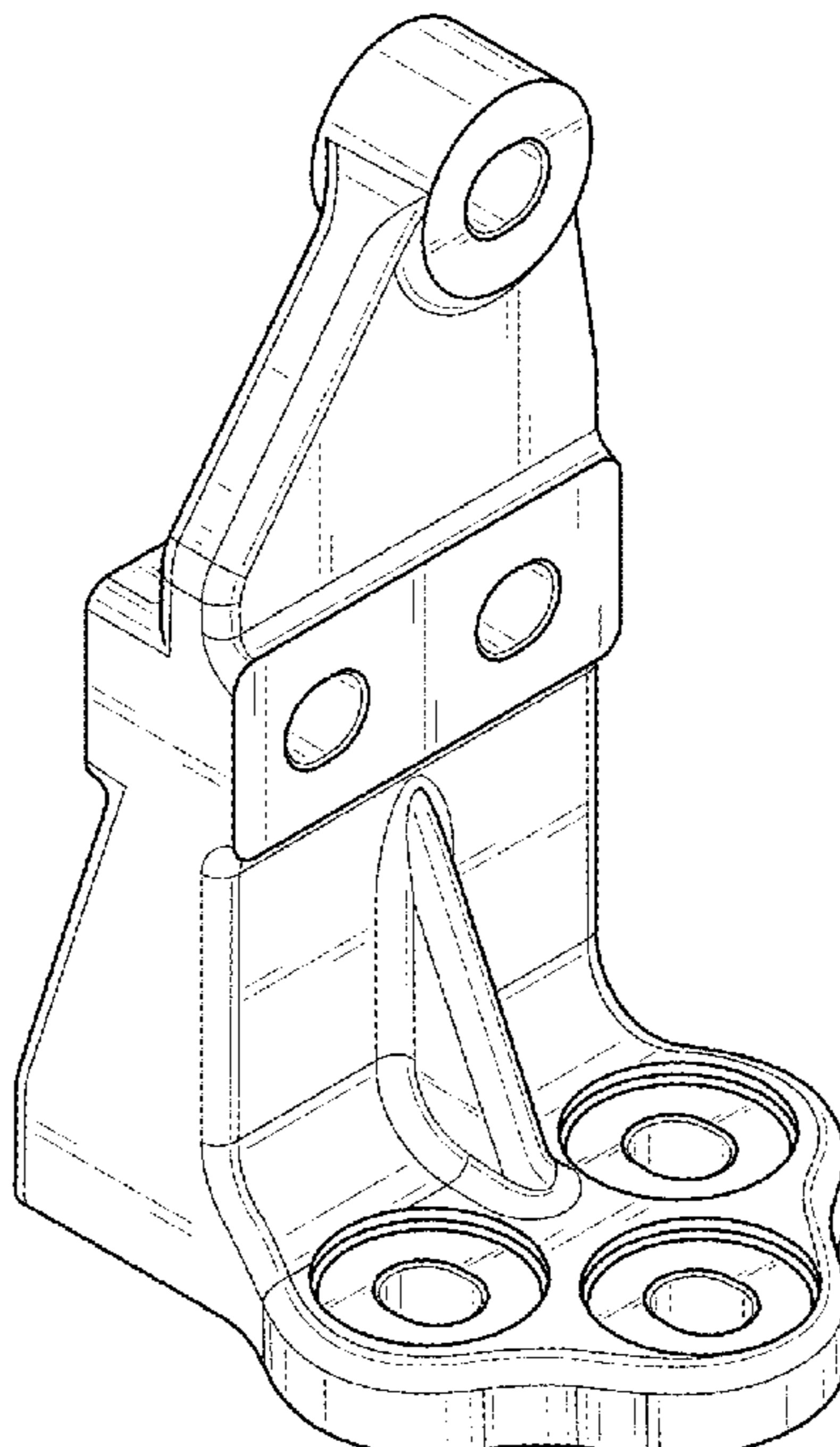
FIG. 5 is a left side view of the support bracket.

FIG. 6 is a right side view of the support bracket.

FIG. 7 is a top view of the support bracket; and,

FIG. 8 is a bottom view of the support bracket.

**1 Claim, 8 Drawing Sheets**



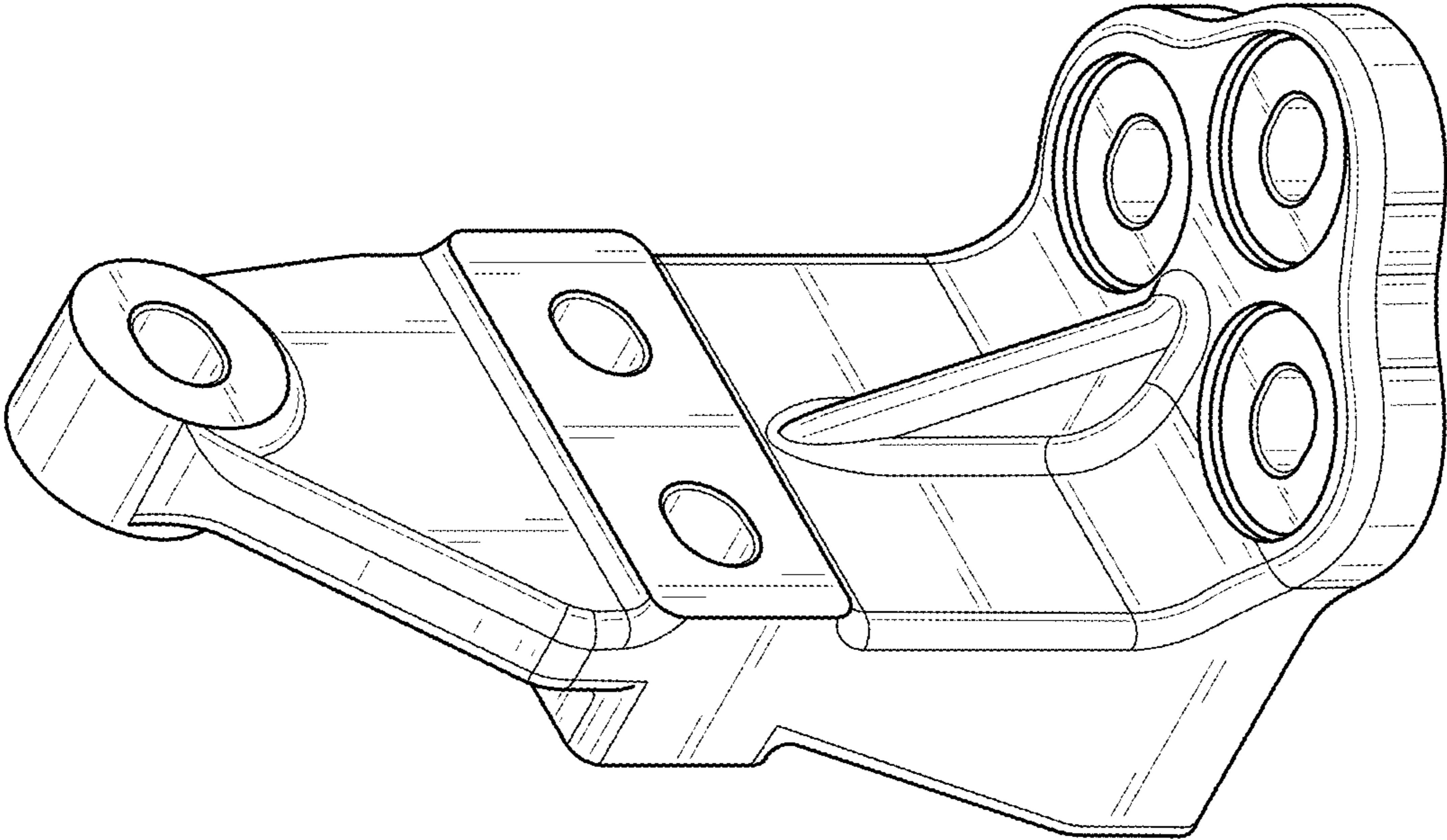


FIG. 1

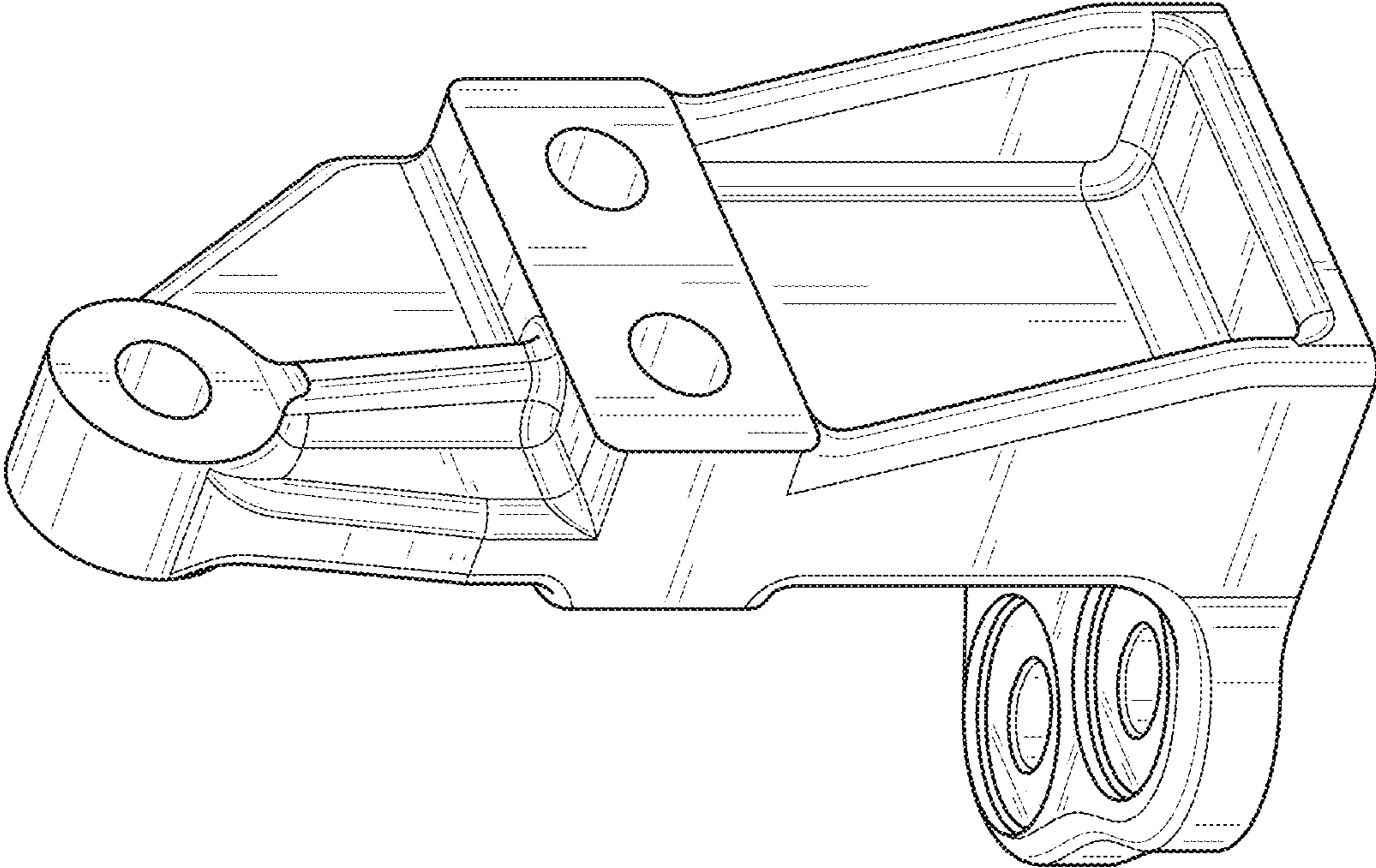


FIG. 2

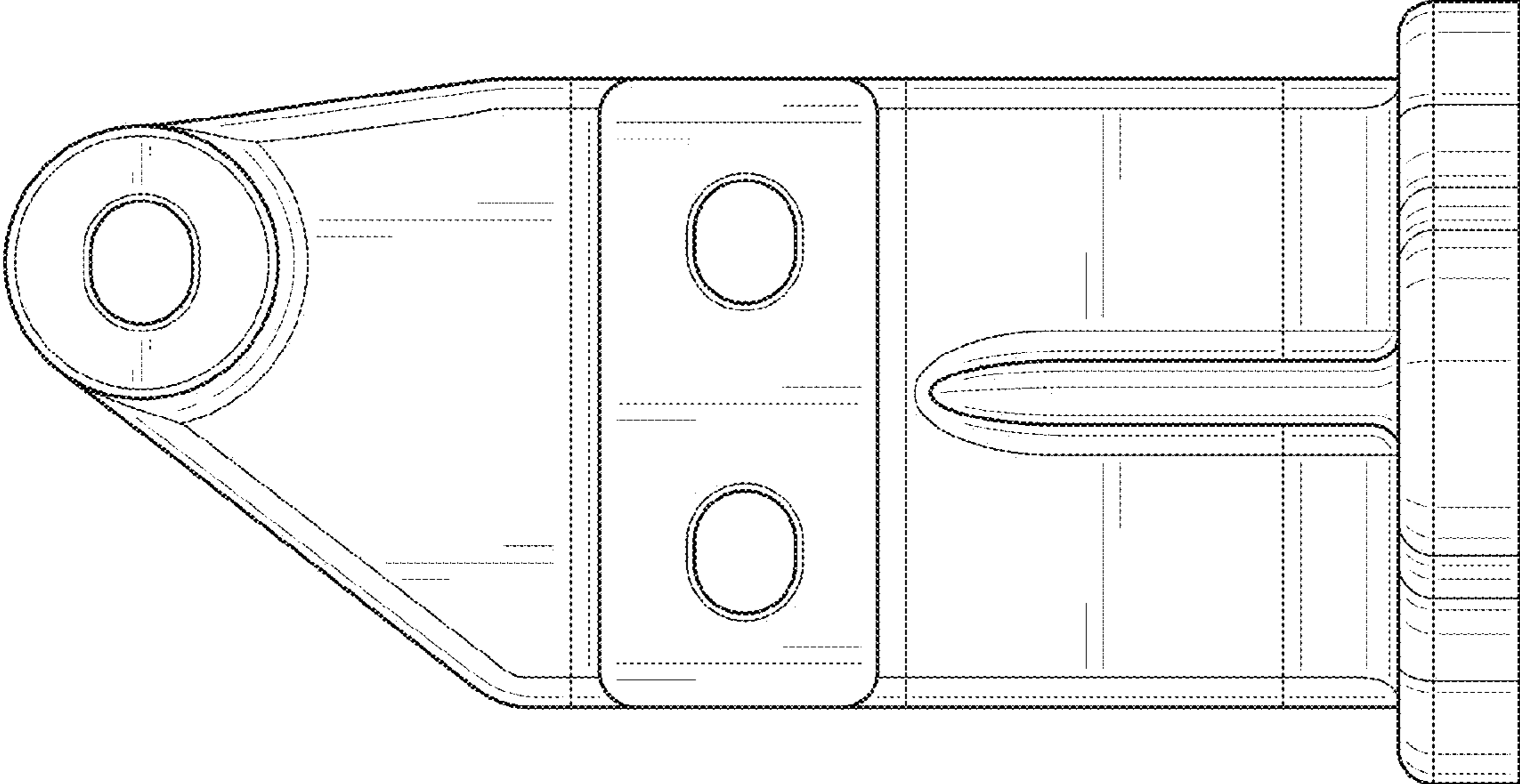


FIG. 3

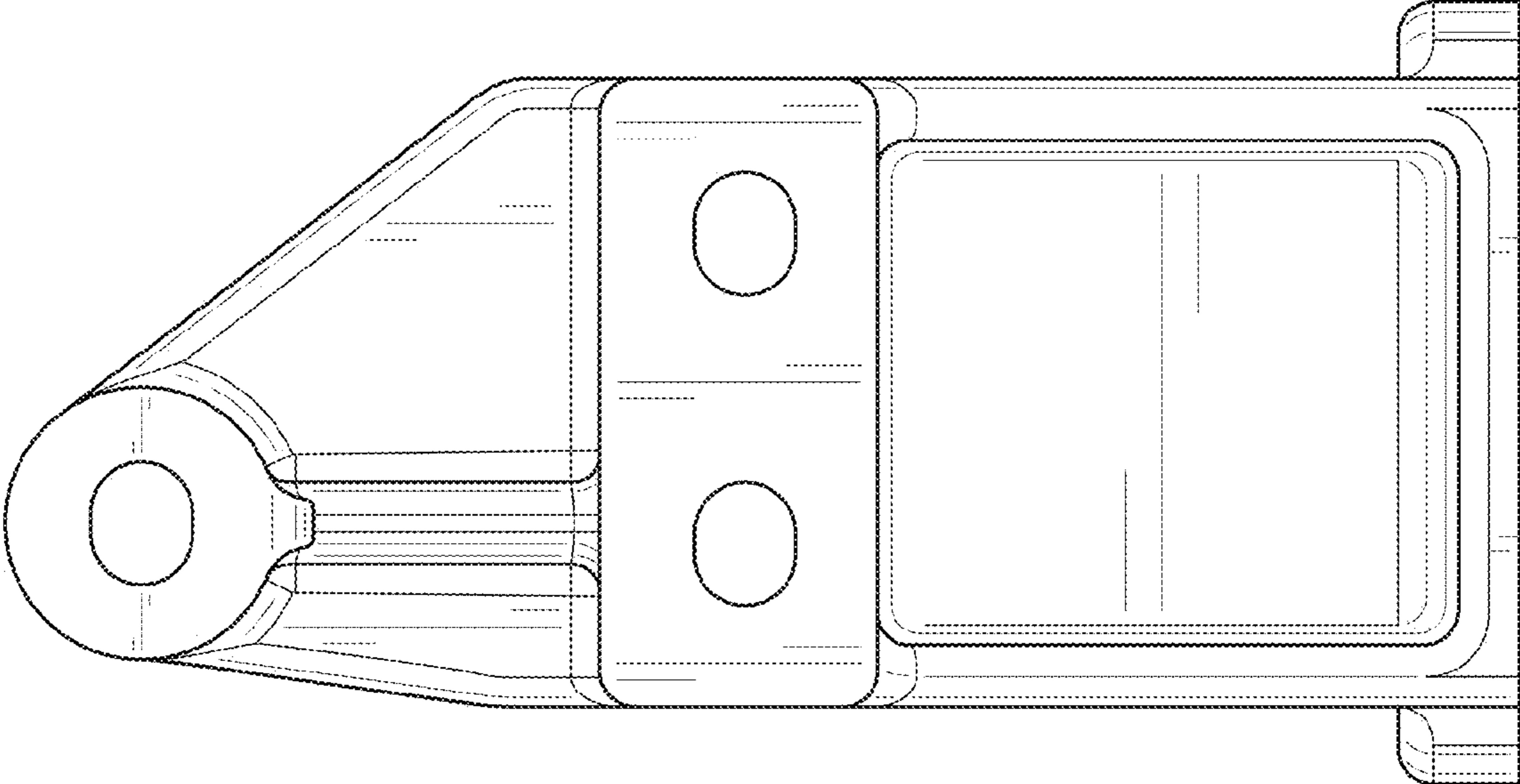


FIG. 4

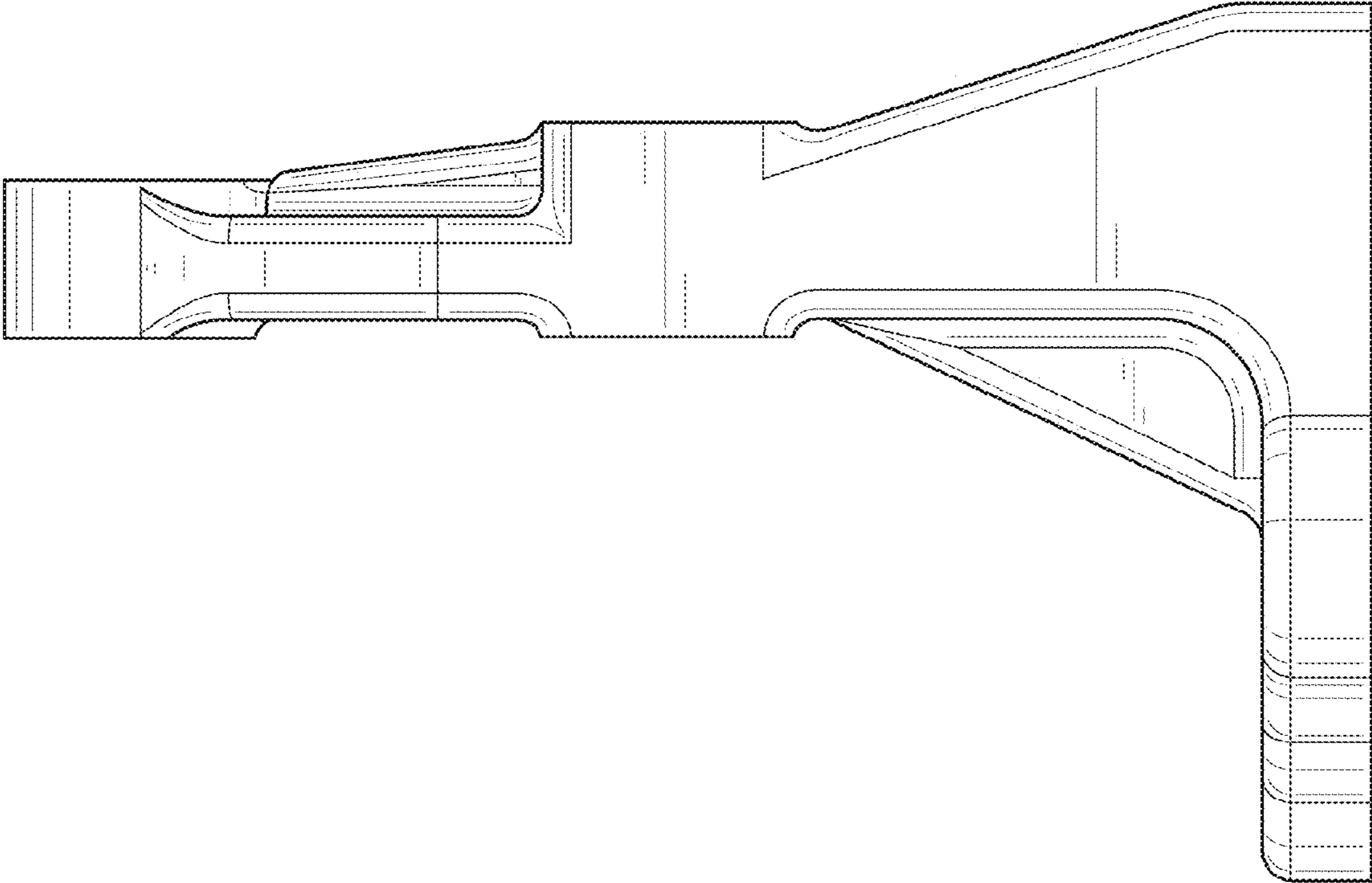


FIG. 5

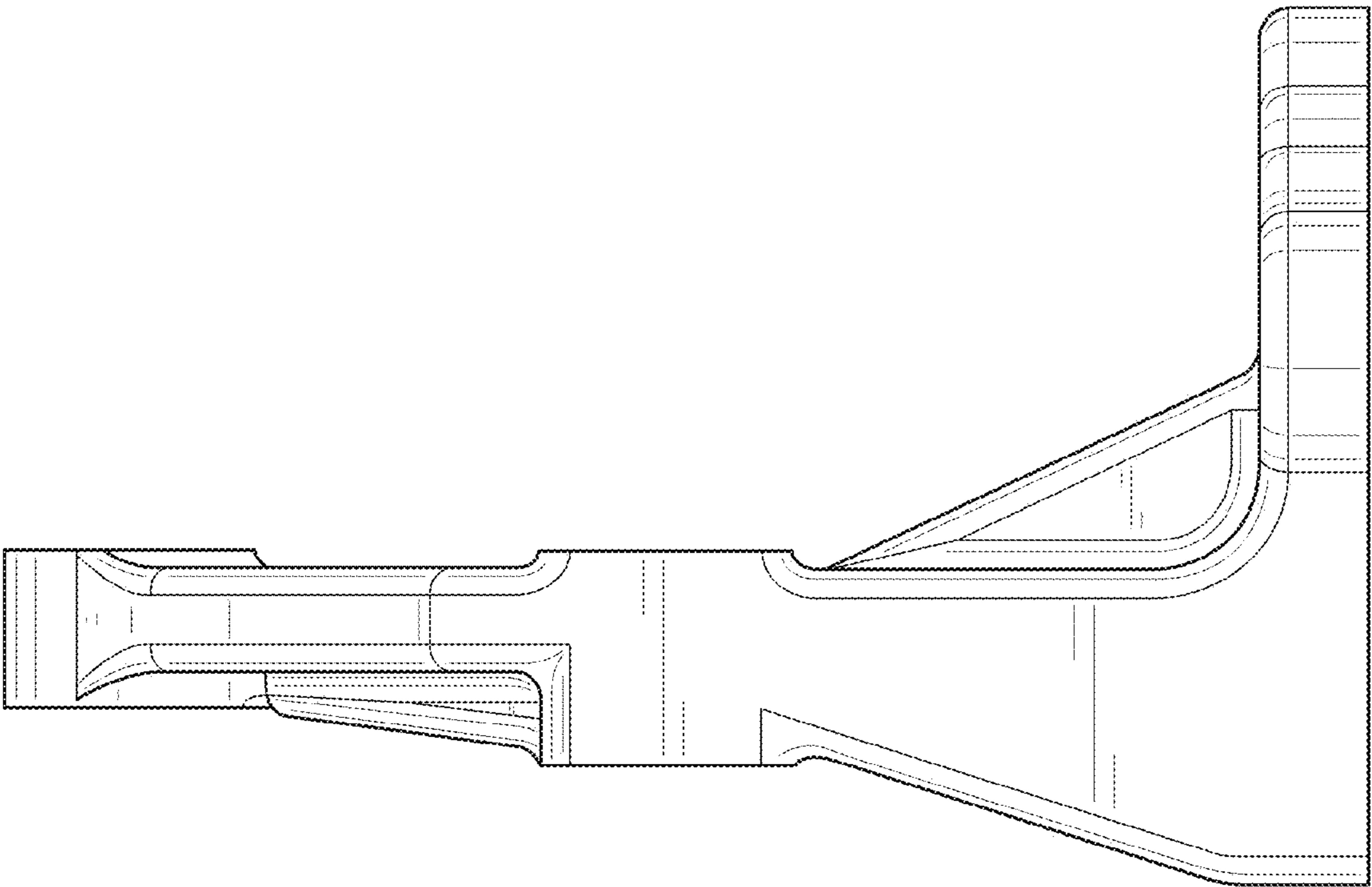


FIG. 6

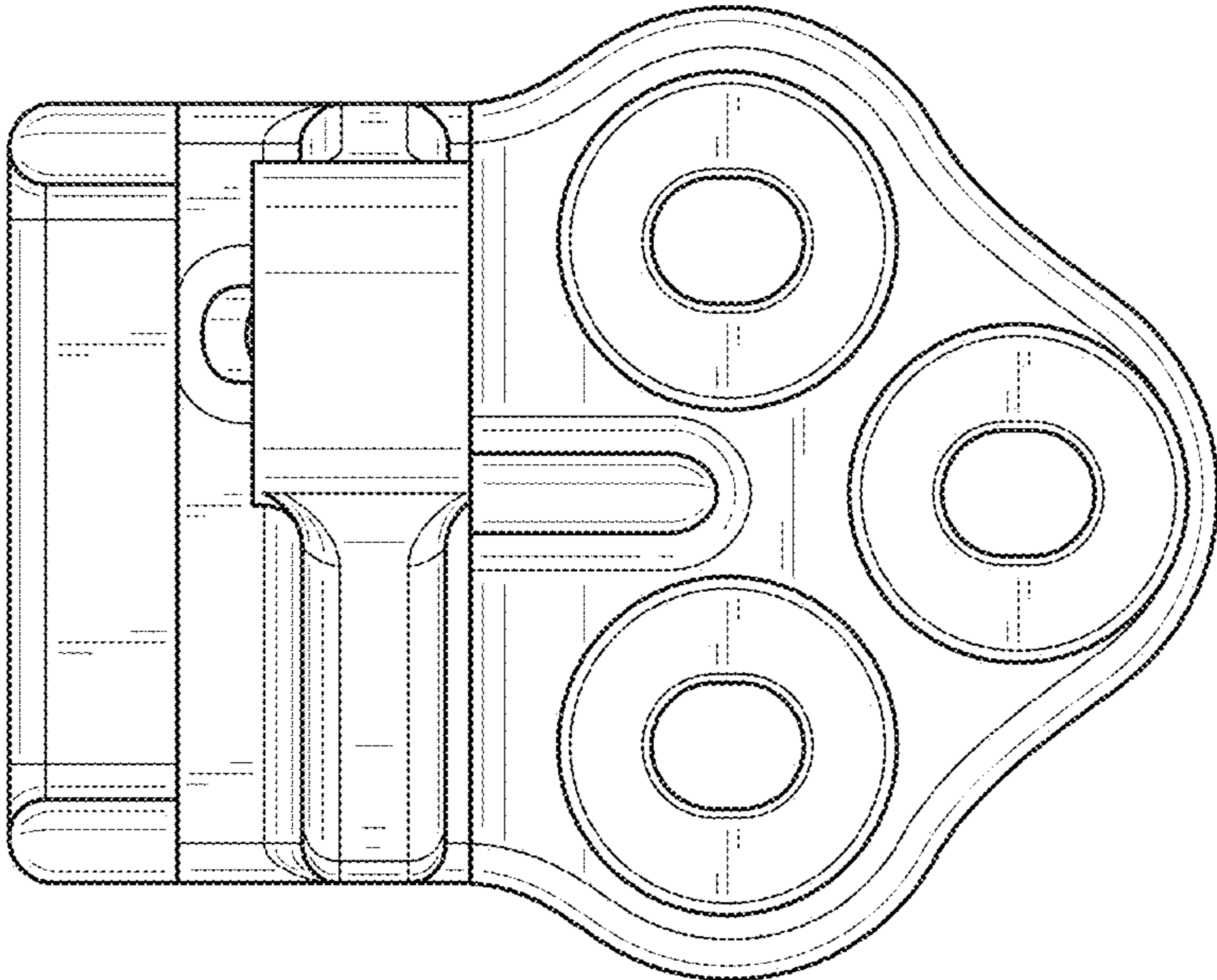


FIG. 7



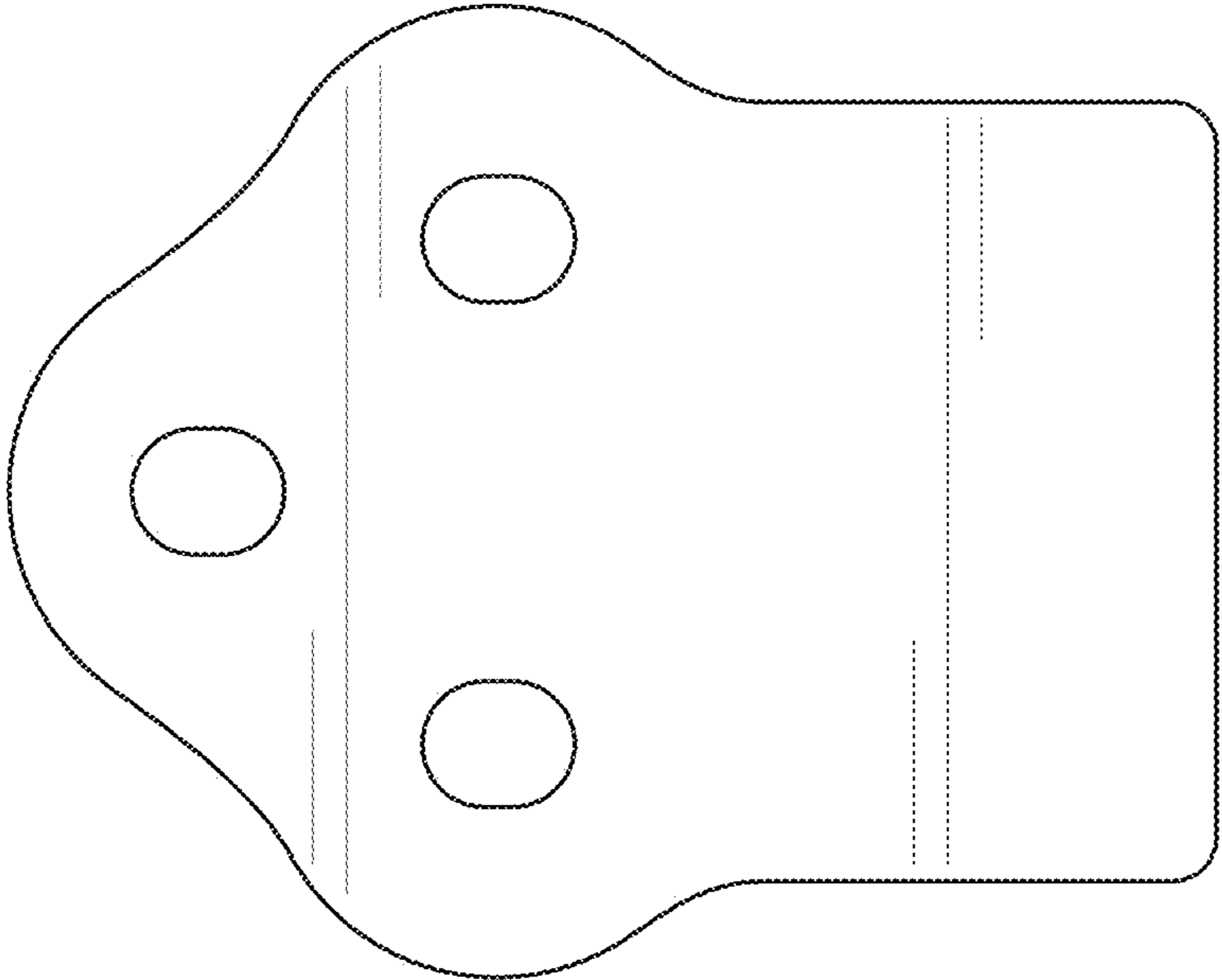


FIG. 8