



US00D905537S

(12) **United States Design Patent** (10) **Patent No.:** **US D905,537 S**  
**Marsden** (45) **Date of Patent:** **\*\* Dec. 22, 2020**

(54) **FURNITURE SECURING DEVICE**

FOREIGN PATENT DOCUMENTS

- (71) Applicant: **Elbee Pty Ltd.**, Bondi Junction (AU)
- (72) Inventor: **Andrew Marsden**, Hingham, MA (US)
- (73) Assignee: **Elbee Pty Ltd.**, Bondi Junction (AU)
- (\*\*) Term: **15 Years**

EP	2 363 553 A1	9/2011
JP	3112455 U	8/2005
JP	3122931 U	6/2006
KR	100888211 B1	3/2009

(21) Appl. No.: **29/694,110**

(22) Filed: **Jun. 7, 2019**

(51) **LOC (12) Cl.** ..... **08-05**

(52) **U.S. Cl.**  
USPC ..... **D8/354**

(58) **Field of Classification Search**

USPC ..... D8/373, 394, 333, 300, 349, 354, 356,  
D8/363, 366, 380, 382, 383, 396, 499  
CPC ..... E06B 11/02; E06B 3/984; E06B 11/04;  
E06B 3/9641; E06B 3/9687; E06B  
11/022; E06B 2003/7063; E06B  
2009/002; E06B 3/9649  
See application file for complete search history.

OTHER PUBLICATIONS

U.S. Appl. No. 29/694,106, filed Jun. 7, 2019, Marsden.  
[No Author Listed] Product listing for Wenwell 2PCS Furniture Anti-Tip Metal Kit Global Steel Cables Furniture Anti-Tip Anchor Straps for Baby Safety, Heavy Duty Straps Wall Anchoring Kit, with Mounting Hardware Included. [https://www.amazon.com/WENWELL-Furniture-Anti-Tip-Anchoring-Mounting/dp/B07X5G73C4/ref=sr\\_1\\_fkmr0\\_1?keywords=wenwell+2pc+furniture+anti-tip+metal+kit&qid=1573152212&sr=8-1-fkmr0](https://www.amazon.com/WENWELL-Furniture-Anti-Tip-Anchoring-Mounting/dp/B07X5G73C4/ref=sr_1_fkmr0_1?keywords=wenwell+2pc+furniture+anti-tip+metal+kit&qid=1573152212&sr=8-1-fkmr0), Publicly available at least as early as Jun. 7, 2019.  
[No Author Listed] Mommy's Helper Tip Resistant Furniture Safety Brackets. Amazon.com. <https://www.amazon.com/Mommys-Helper-Resistant-Furniture-Brackets/dp/B00081MHJI?th=1>. Publicly available at least as early as Jun. 7, 2019, 8 pages.

\* cited by examiner

*Primary Examiner* — Janice Hallmark  
*Assistant Examiner* — Harold E Blackwell, II  
(74) *Attorney, Agent, or Firm* — Wolf, Greenfield & Sacks, P.C.

(56) **References Cited**

U.S. PATENT DOCUMENTS

2,496,249 A *	1/1950	Lawrence	.....	F16G 11/12
				254/222
D378,986 S *	4/1997	Darula	.....	D8/354
D420,566 S *	2/2000	Ely	.....	D8/354
D469,336 S *	1/2003	Votruba	.....	D8/343
D512,903 S *	12/2005	Gallien	.....	D8/349
7,025,321 B2	6/2006	Jung		
7,175,149 B2	2/2007	Gallien		
7,278,284 B1	10/2007	James		
D614,477 S *	4/2010	Edwards	.....	E04F 11/1842
				D8/354
D748,966 S *	2/2016	Morinaga	.....	D8/323
D800,536 S *	10/2017	Kelley	.....	D8/354
D858,262 S *	9/2019	Wilson	.....	D8/373
2004/0046092 A1	3/2004	Jung		
2008/0260487 A1	10/2008	Grasso		

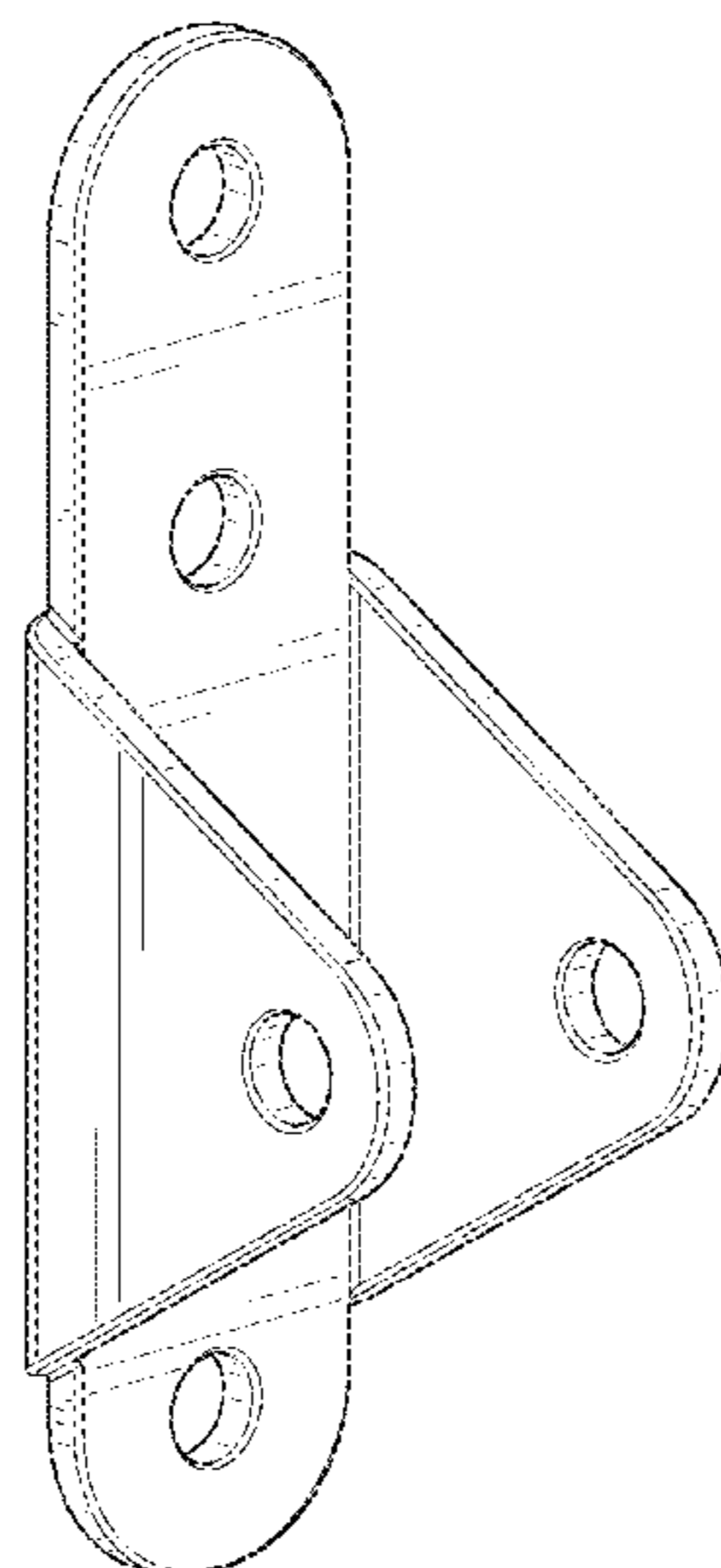
(57) **CLAIM**

The ornamental design for a furniture securing device, as shown and described.

**DESCRIPTION**

FIG. 1 is a top, front, left side perspective view of a furniture securing device showing my new design;  
FIG. 2 is a front elevation view thereof;  
FIG. 3 is a rear elevation view thereof;  
FIG. 4 is a left side elevation view thereof;  
FIG. 5 is a right side elevation view thereof;  
FIG. 6 is a top plan view thereof; and,  
FIG. 7 is a bottom plan view thereof.

**1 Claim, 5 Drawing Sheets**



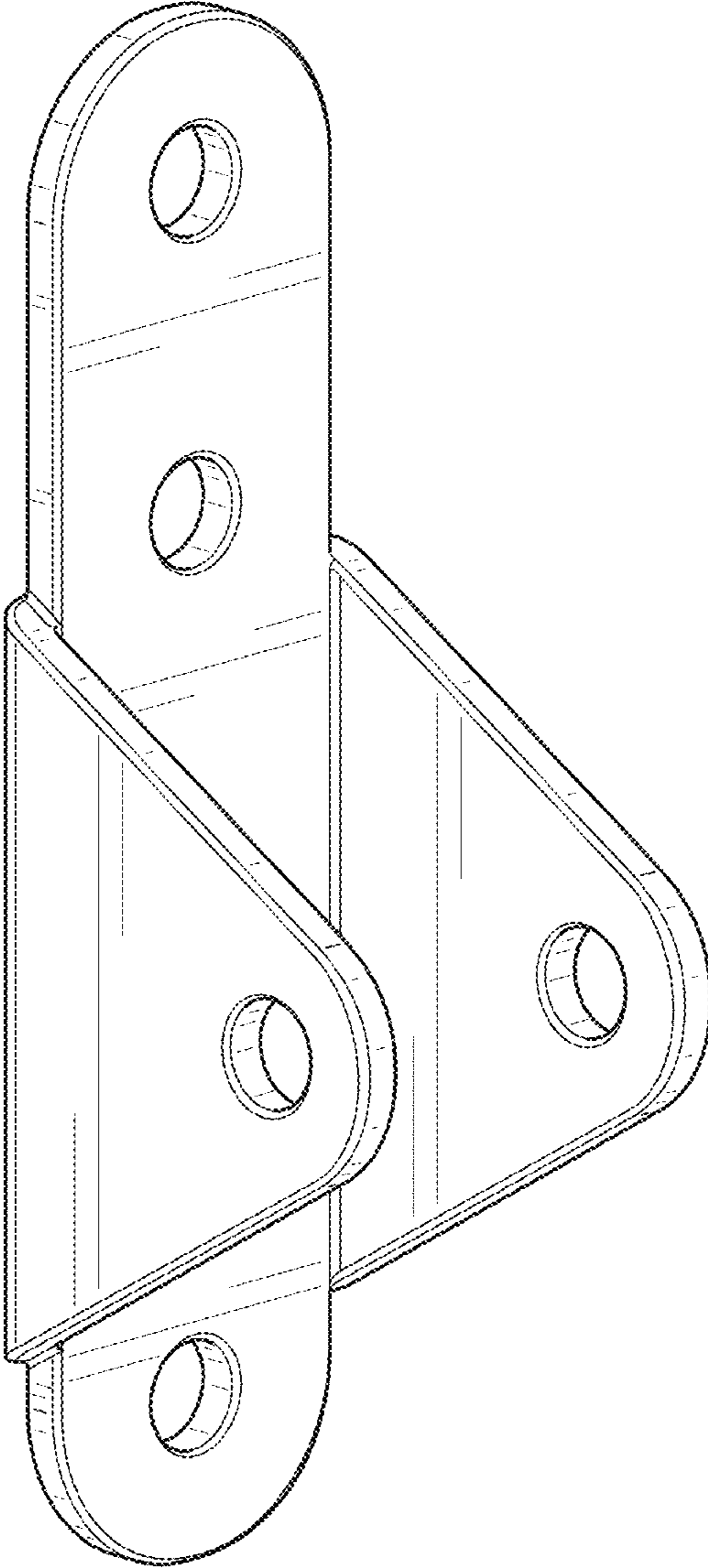


FIG. 1

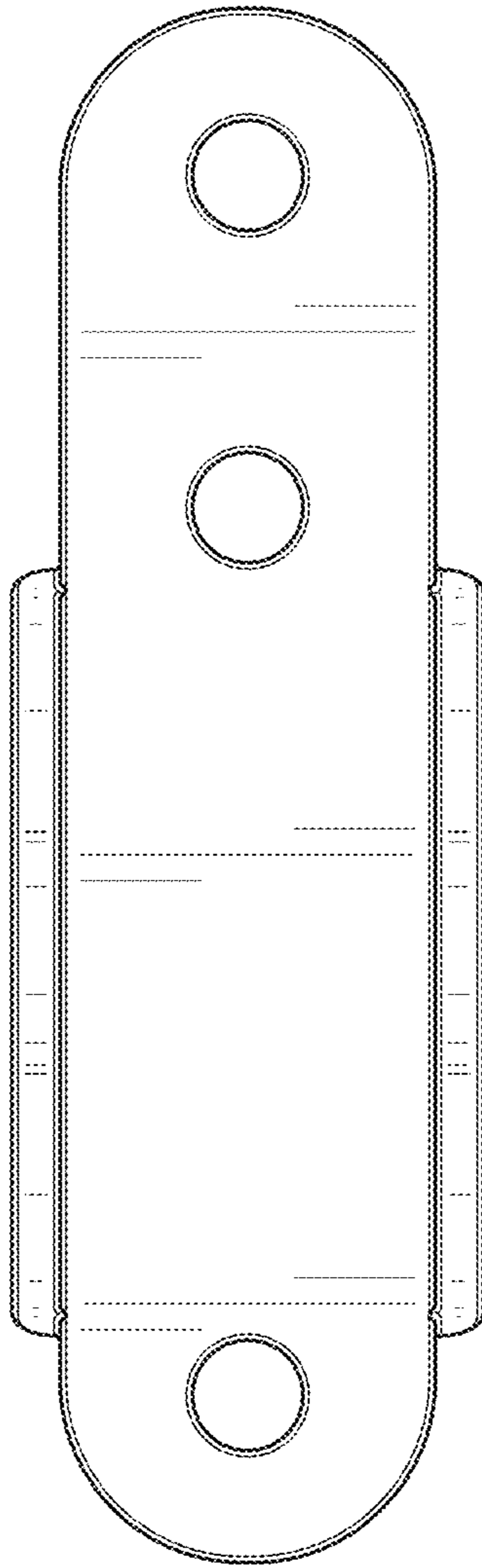


FIG. 2

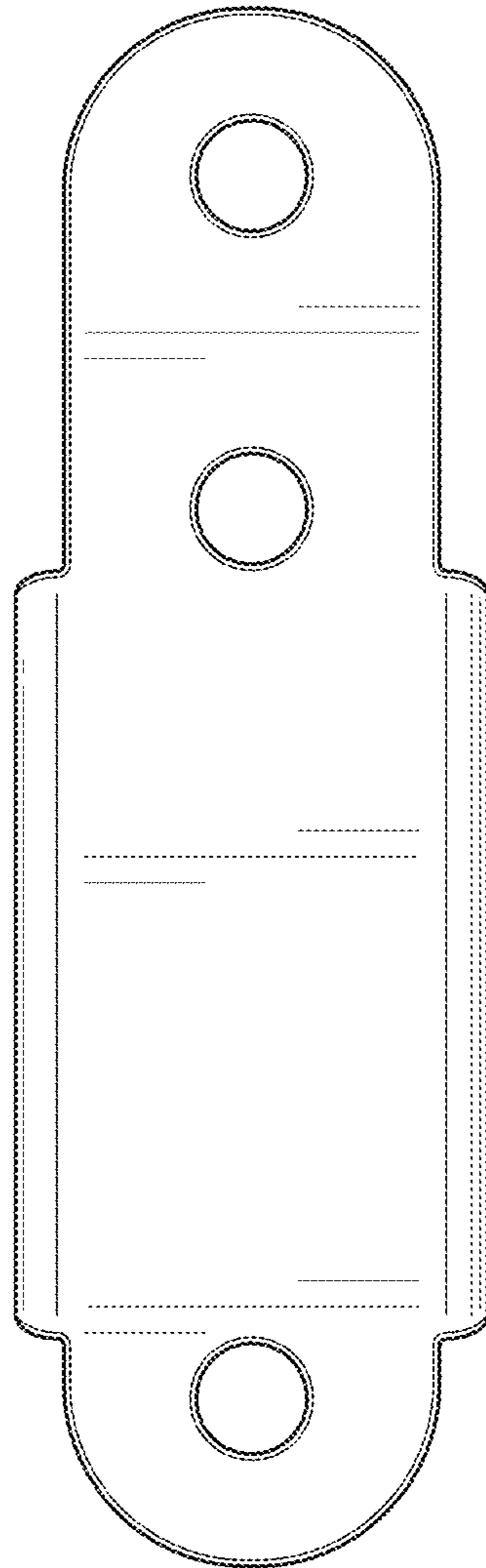


FIG. 3

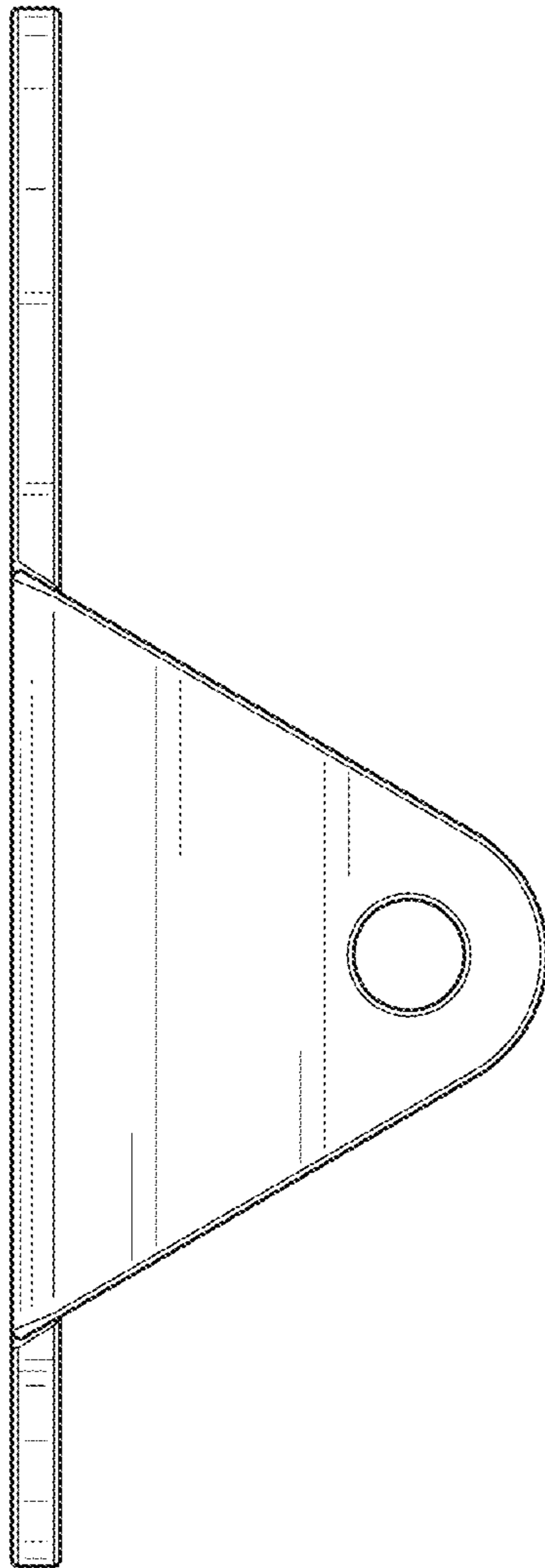


FIG. 4

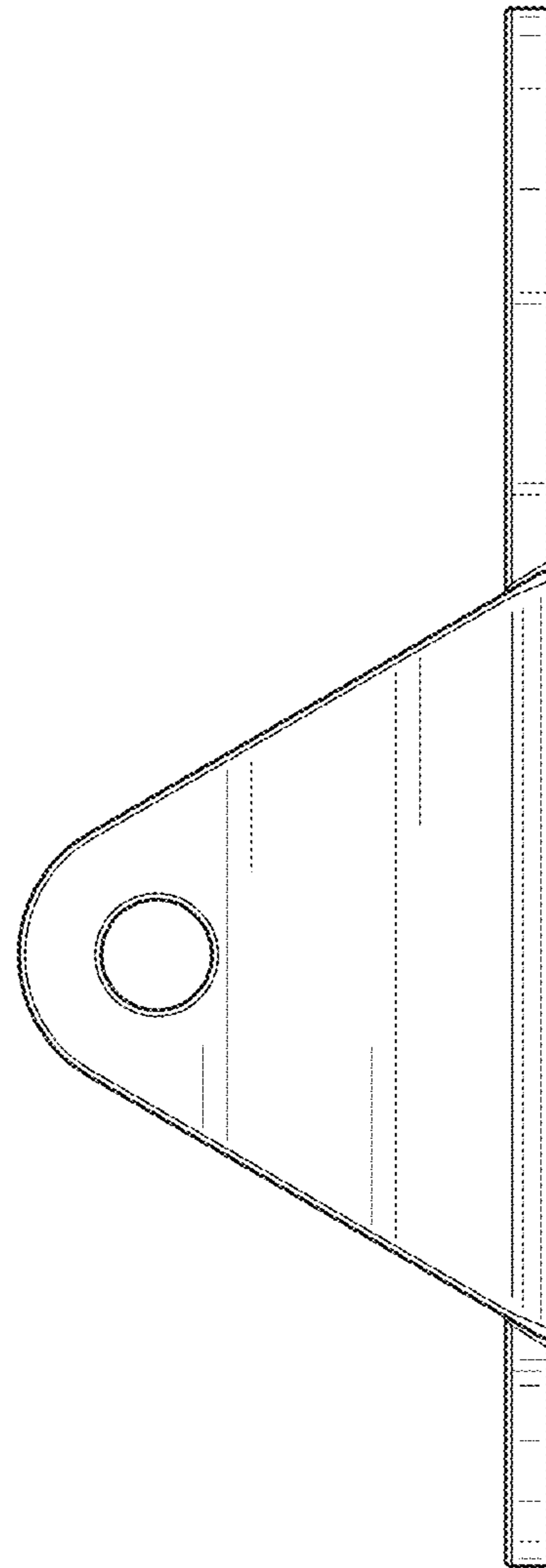


FIG. 5

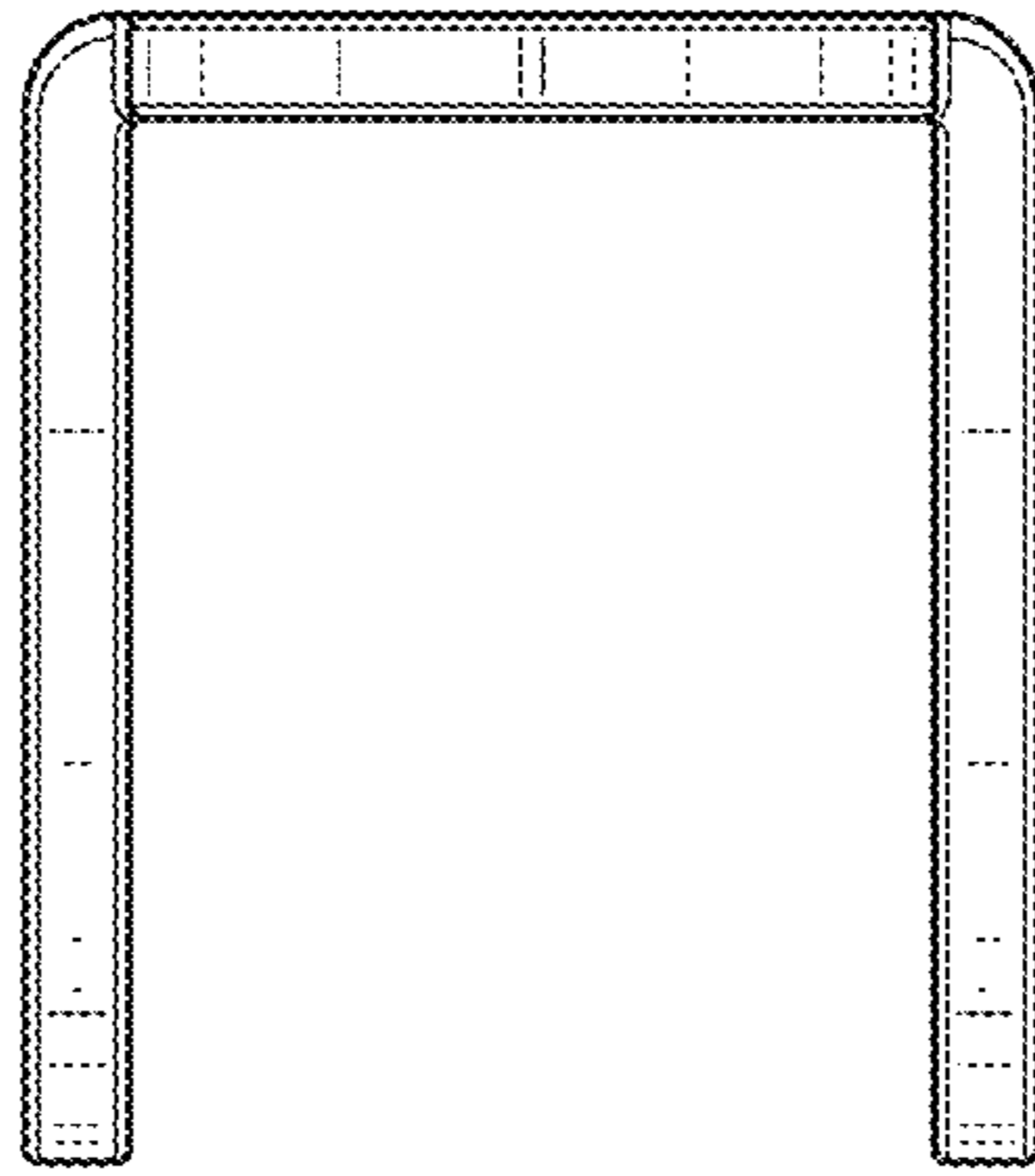


FIG. 6

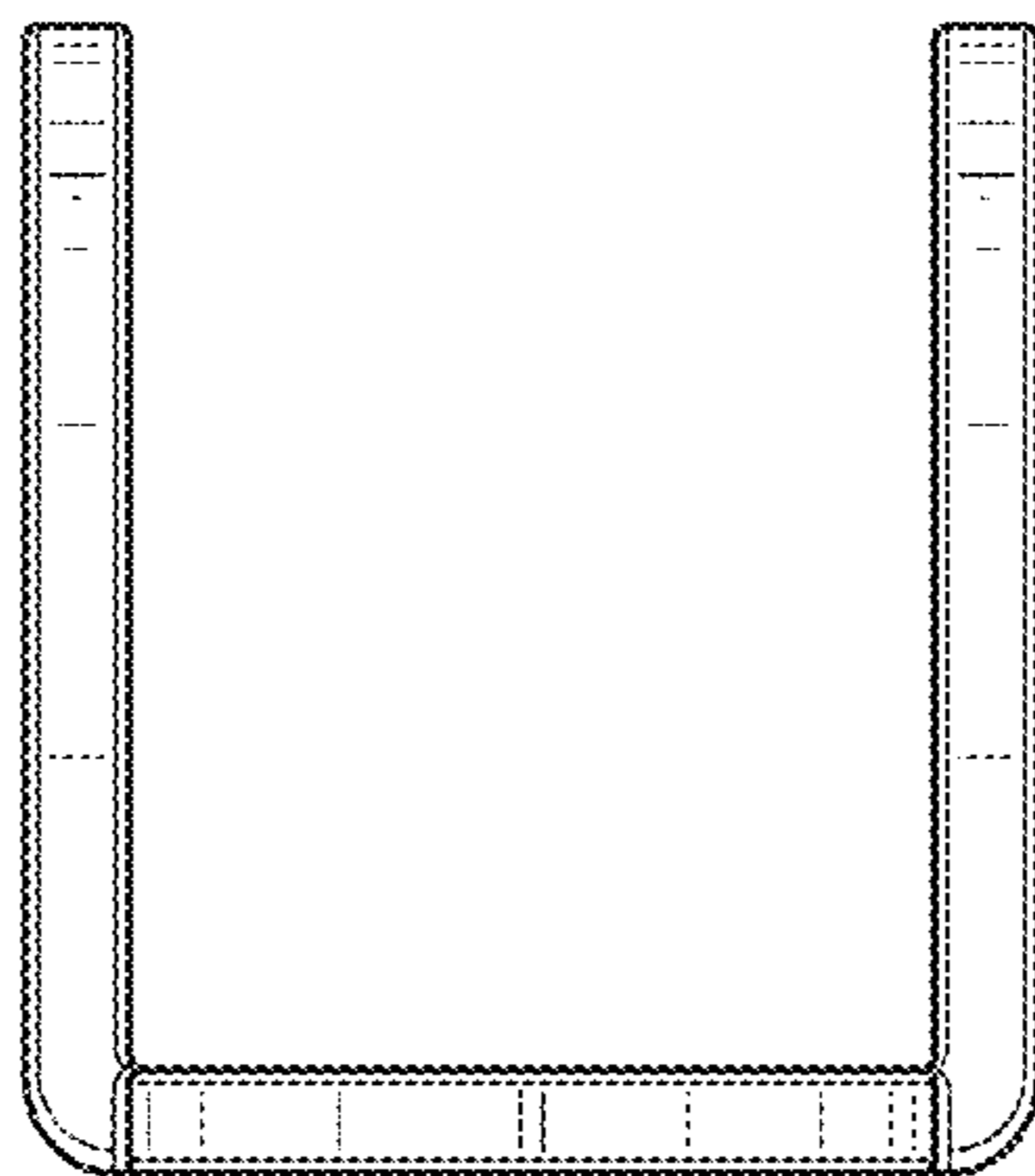


FIG. 7