



US00D905536S

(12) **United States Design Patent** (10) **Patent No.:** **US D905,536 S**
Sola (45) **Date of Patent:** **** Dec. 22, 2020**

(54) **FACEPLATE**

- (71) Applicant: **Kohler Co.**, Kohler, WI (US)
- (72) Inventor: **Ferran Serra Sola**, Paris (FR)
- (73) Assignee: **KOHLER CO.**, Kohler, WI (US)
- (**) Term: **15 Years**
- (21) Appl. No.: **29/726,879**
- (22) Filed: **Mar. 6, 2020**

Related U.S. Application Data

- (62) Division of application No. 29/582,148, filed on Oct. 25, 2016, now Pat. No. Des. 880,276.

(30) **Foreign Application Priority Data**

May 13, 2016 (EM) 003127729

- (51) **LOC (12) Cl.** **11-05**

- (52) **U.S. Cl.**
USPC **D8/353**

- (58) **Field of Classification Search**

USPC D8/353, 330, 331, 336, 338, 339, 340,
D8/343, 350–352, 300, 301
CPC G05B 19/00; G05B 15/00; E05B 49/00;
E05B 49/02; E05B 9/00; E05B 17/00;
E05B 37/00; E05B 3/00; E05B 13/103;
E05B 1/00; E05B 47/00
See application file for complete search history.

(56) **References Cited**

U.S. PATENT DOCUMENTS

6,803,522 B2	10/2004	Skakun
D510,256 S	10/2005	Genelle
7,071,413 B1	7/2006	Paape
D540,651 S	4/2007	Wolf, V
D583,205 S	12/2008	Waliszewski
D628,044 S	11/2010	Schutte
D628,045 S	11/2010	Schutte

(Continued)

OTHER PUBLICATIONS

Kohler, Pneumatic In-wall Tank Faceplate, <https://www.kohlerasiapacific.com/productDetails/75890T-PNE?skuid=75890T-PNE-CP>, Dimensions and measurements PDF document (Year: 2017).*

(Continued)

Primary Examiner — Mark A Goodwin

Assistant Examiner — Benjamin M Weeks

(74) *Attorney, Agent, or Firm* — Foley & Lardner LLP

(57) **CLAIM**

I claim the ornamental design for a faceplate, as shown and described.

DESCRIPTION

FIG. 1 is a top, front, left perspective view of a faceplate showing my new design;

FIG. 2 is a front elevation view thereof;

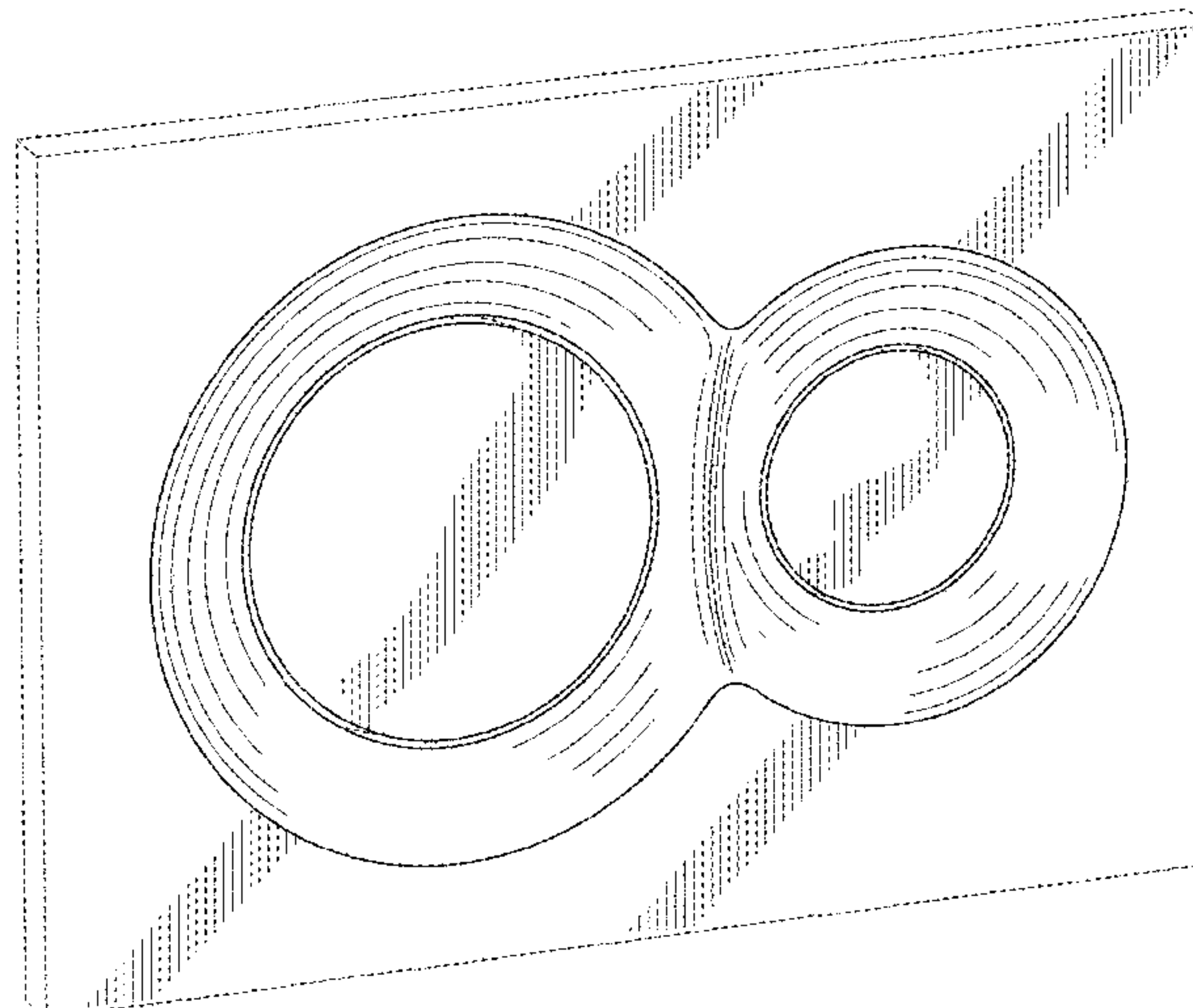
FIG. 3 is a top plan view thereof, the bottom plan view thereof being a mirror image of the top plan view shown;

FIG. 4 is a right side elevation view thereof, the left side elevation view thereof being a mirror image of the right side elevation view shown; and,

FIG. 5 is a cross-sectional view thereof taken along line 5-5 of FIG. 2.

The ornamental design which is claimed is shown in solid lines in the drawings. The broken lines in the drawings are for illustrative purposes only and form no part of the claimed design. Broken lines formed by equal length dashes in the drawings illustrate unclaimed portions of the design. Broken lines formed of unequal length dashes (i.e., dash-dot) show boundaries between claimed and unclaimed portions of the design. Portions shown in stipple shading as opposed to line shading show contrasting surfaces unlimited by color, texture, or surface finish.

1 Claim, 3 Drawing Sheets



(56)

References Cited

U.S. PATENT DOCUMENTS

D628,046	S	11/2010	Schutte	
D644,895	S	9/2011	Erdfarb	
D675,083	S *	1/2013	Clark	D8/353
D682,656	S *	5/2013	Cramer	D8/331
D705,039	S	5/2014	Dillard	
D737,661	S *	9/2015	Chan	D8/350
D756,196	S *	5/2016	Huang	D8/330
D756,748	S *	5/2016	Lu	D8/353
D760,173	S	6/2016	Baker	
D772,691	S *	11/2016	Han	D8/330
D803,027	S *	11/2017	Huang	D8/331
D823,430	S *	7/2018	York	D23/208
D833,850	S *	11/2018	Lin	D8/352
D885,865	S *	6/2020	Laurans	D8/331
D887,249	S *	6/2020	Laurans	D8/331
D887,816	S *	6/2020	Marsden	D8/331
D888,537	S *	6/2020	Laurans	D8/331
D889,932	S *	7/2020	Zeng	D8/331
D895,764	S *	9/2020	York	D23/208
D896,059	S *	9/2020	Sweeney	D8/330
2006/0153733	A1 *	7/2006	Sassoon	E05B 1/0069 422/28
2006/0175843	A1 *	8/2006	Campopiano	E05B 1/0069 292/336.3

OTHER PUBLICATIONS

U.S. Office Action on U.S. Appl. No. 29/582148 dated Jul. 11, 2019,
7 pages.

* cited by examiner

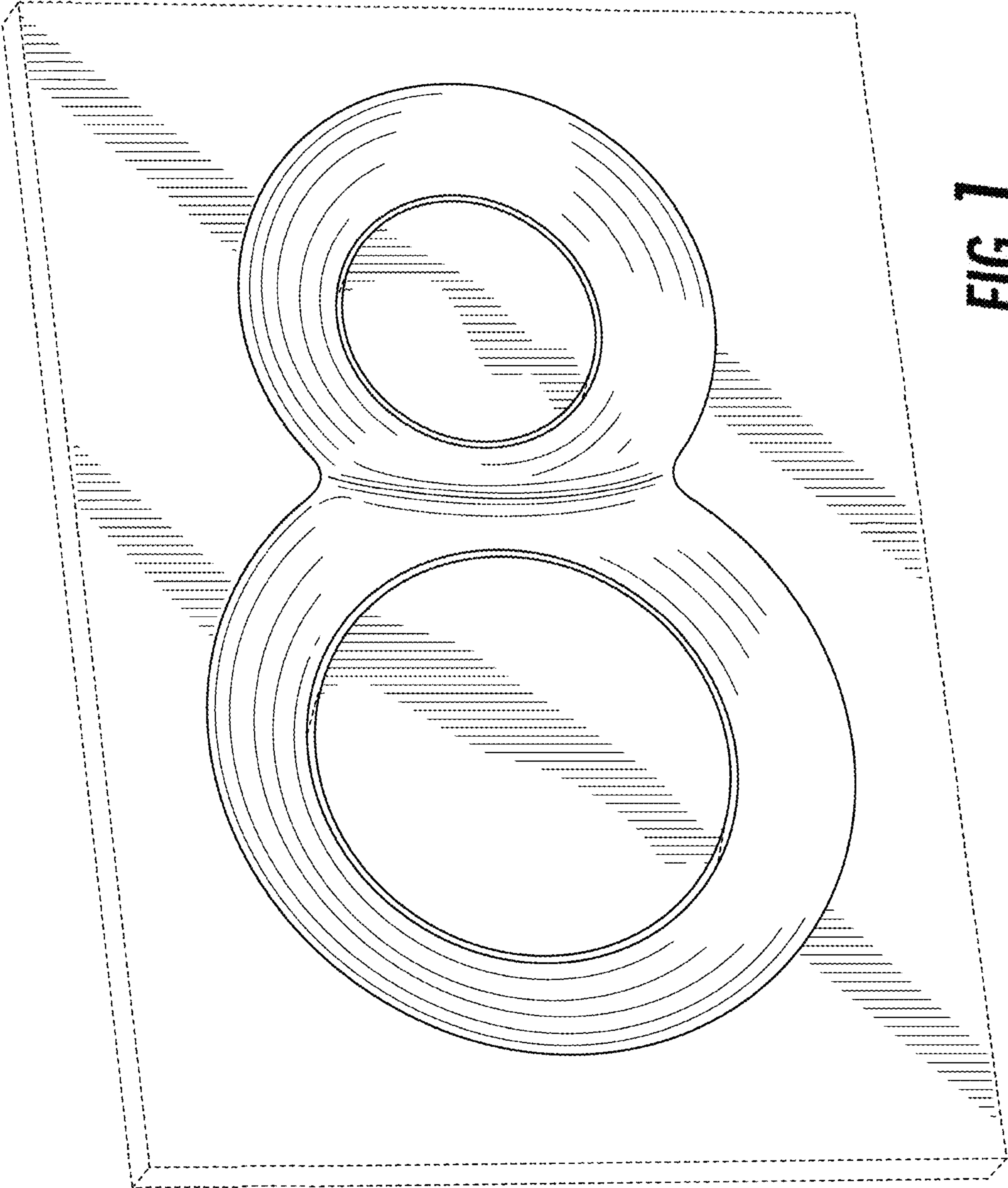


FIG. 1

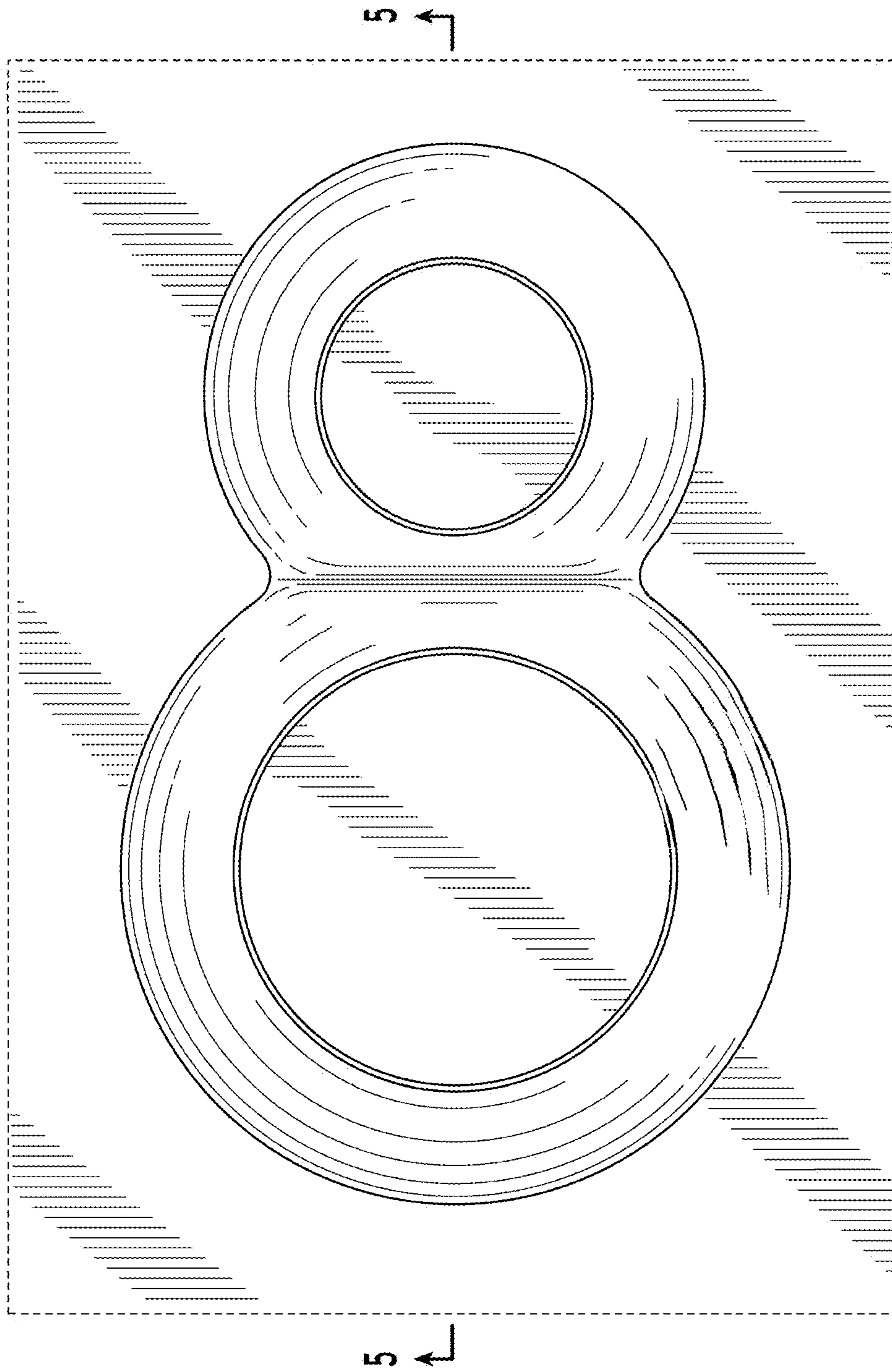


FIG. 2



FIG. 3



FIG. 4

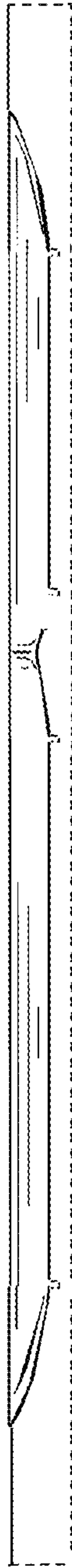


FIG. 5