



US00D905530S

(12) **United States Design Patent** (10) **Patent No.:** **US D905,530 S**
Williams et al. (45) **Date of Patent:** **** Dec. 22, 2020**

(54) **FAUCET DIAL**
(71) Applicant: **AS America, Inc.**, Piscataway, NJ (US)
(72) Inventors: **Emilie Williams**, South Plainfield, NJ (US); **Greg Reinecker**, Brooklyn, NY (US); **Jean-Jacques L’Henaff**, New Canaan, CT (US)
(73) Assignee: **AS America, Inc.**, Piscataway, NJ (US)

D189,142 S 11/1960 Heckman
D223,799 S 6/1972 Jensen
D253,686 S 12/1979 Wooldridge
D268,846 S 5/1983 Jolliffe
5,518,440 A 5/1996 Bone
5,758,690 A 6/1998 Humpert et al.
D475,269 S 6/2003 Matern
D479,310 S 9/2003 Ziemann
D520,859 S 5/2006 Osiecki et al.

(Continued)

(**) Term: **15 Years**

(21) Appl. No.: **29/740,827**

(22) Filed: **Jul. 7, 2020**

Related U.S. Application Data

(63) Continuation of application No. 29/714,714, filed on Nov. 25, 2019, now Pat. No. Des. 892,593, which is a continuation of application No. 29/626,825, filed on Nov. 20, 2017, now Pat. No. Des. 867,850.

(51) **LOC (12) Cl.** **08-06**

(52) **U.S. Cl.**
USPC **D8/310; D8/312**

(58) **Field of Classification Search**
USPC D8/107, 300, 301, 307, 310, 311, 312;
D23/250, 421; D7/393, 394, 396, 402,
D7/406, 543, 545, 547, 548
CPC ... Y10T 292/57; Y10T 292/82; Y10T 16/469;
Y10T 16/44; Y10T 16/476; Y10T
74/2084; Y10T 292/85; Y10T 74/2087;
Y10T 16/4713; Y10T 16/506; Y10T
74/20876; Y10T 74/20612; Y10T
70/5765; Y10T 16/459; Y10T 74/2066;
Y10T 16/487; Y10T 74/20822

See application file for complete search history.

(56) **References Cited**

U.S. PATENT DOCUMENTS

D150,346 S 7/1948 Felver
2,943,596 A 7/1960 Frost

OTHER PUBLICATIONS

Examination Report dated Feb. 18, 2019, directed to CA Application No. 181494; 1 page.

(Continued)

Primary Examiner — Lauren R Calve

(74) *Attorney, Agent, or Firm* — Morrison & Foerster LLP

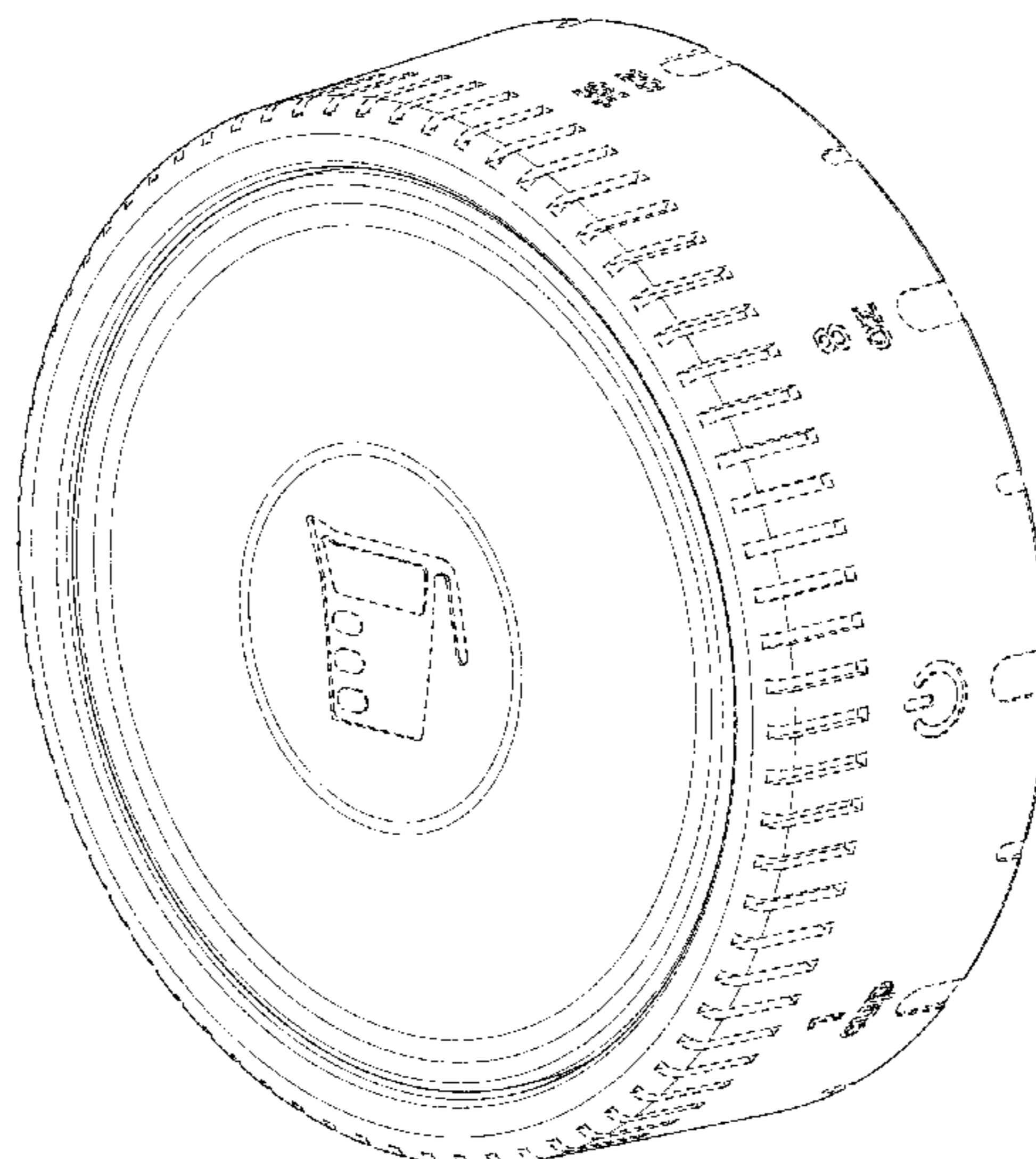
(57) **CLAIM**

We claim the ornamental design for a faucet dial, as shown and described.

DESCRIPTION

FIG. 1 is a front perspective view of a faucet dial showing our new design;
FIG. 2 is a rear perspective view thereof;
FIG. 3 is a front perspective view thereof showing environment;
FIG. 4 is a rear perspective view thereof showing environment;
FIG. 5 is a front view of the faucet dial of FIG. 1;
FIG. 6 is a side view thereof;
FIG. 7 is a bottom view thereof;
FIG. 8 is a top view thereof; and,
FIG. 9 is a side view of the opposite side of FIG. 6.
The broken lines shown in the drawings illustrate portions of a faucet dial that form no part of the claimed design.

1 Claim, 6 Drawing Sheets



(56)

References Cited

U.S. PATENT DOCUMENTS

D541,384 S 4/2007 Citterio
 D562,347 S 2/2008 Morisawa et al.
 D589,776 S 4/2009 Camp
 D652,898 S 1/2012 Flowers et al.
 8,264,338 B2 9/2012 Leon
 D668,928 S 10/2012 Butan et al.
 D689,595 S 9/2013 Georgeson
 D778,408 S 2/2017 Rexach
 9,631,700 B2* 4/2017 Edinger G05G 1/015
 D786,650 S 5/2017 Lira-Nunez et al.
 D795,395 S 8/2017 Kington et al.
 9,845,868 B2 12/2017 Lee et al.
 D806,512 S* 1/2018 Chow D8/311
 D828,511 S 9/2018 Liu et al.
 D828,518 S 9/2018 Boal et al.
 10,331,160 B2* 6/2019 Clauss G05F 5/00
 D855,154 S 7/2019 Williams et al.
 D858,465 S* 9/2019 Desbiens D13/174
 10,443,709 B2* 10/2019 Kelly F16H 59/08
 D867,850 S* 11/2019 Williams D8/312
 D875,092 S* 2/2020 Akana D14/344
 D878,180 S* 3/2020 Bertani D8/311

10,691,158 B2* 6/2020 Livolsi G05G 5/06
 2003/0029261 A1 2/2003 DeJonge
 2003/0178280 A1 9/2003 Eto et al.
 2009/0084220 A1 4/2009 Morizono et al.
 2011/0203571 A1 8/2011 Schnetzer et al.
 2014/0013897 A1 1/2014 Clauss et al.
 2014/0047943 A1 2/2014 Camli et al.
 2015/0285351 A1* 10/2015 Rake F16H 27/06
 74/436

OTHER PUBLICATIONS

Notice of Allowance dated Nov. 16, 2018, directed to MX Application No. MX/f/2018/001246; 5 pages.
 Notice of Allowance dated Nov. 16, 2018, directed to MX Application No. MX/f/2018/001248; 5 pages.
 Notification to Grant Patent Right dated Dec. 27, 2018, directed to CN Application No. 201830230612.9; 5 pages.
 Notification to Grant Patent Right dated Mar. 6, 2019, directed to CN Application No. 201830230590.6; 6 pages.
 Williams et al., U.S. Office Action dated Mar. 22, 2019, directed to U.S. Appl. No. 29/626,825; 11 pages.

* cited by examiner

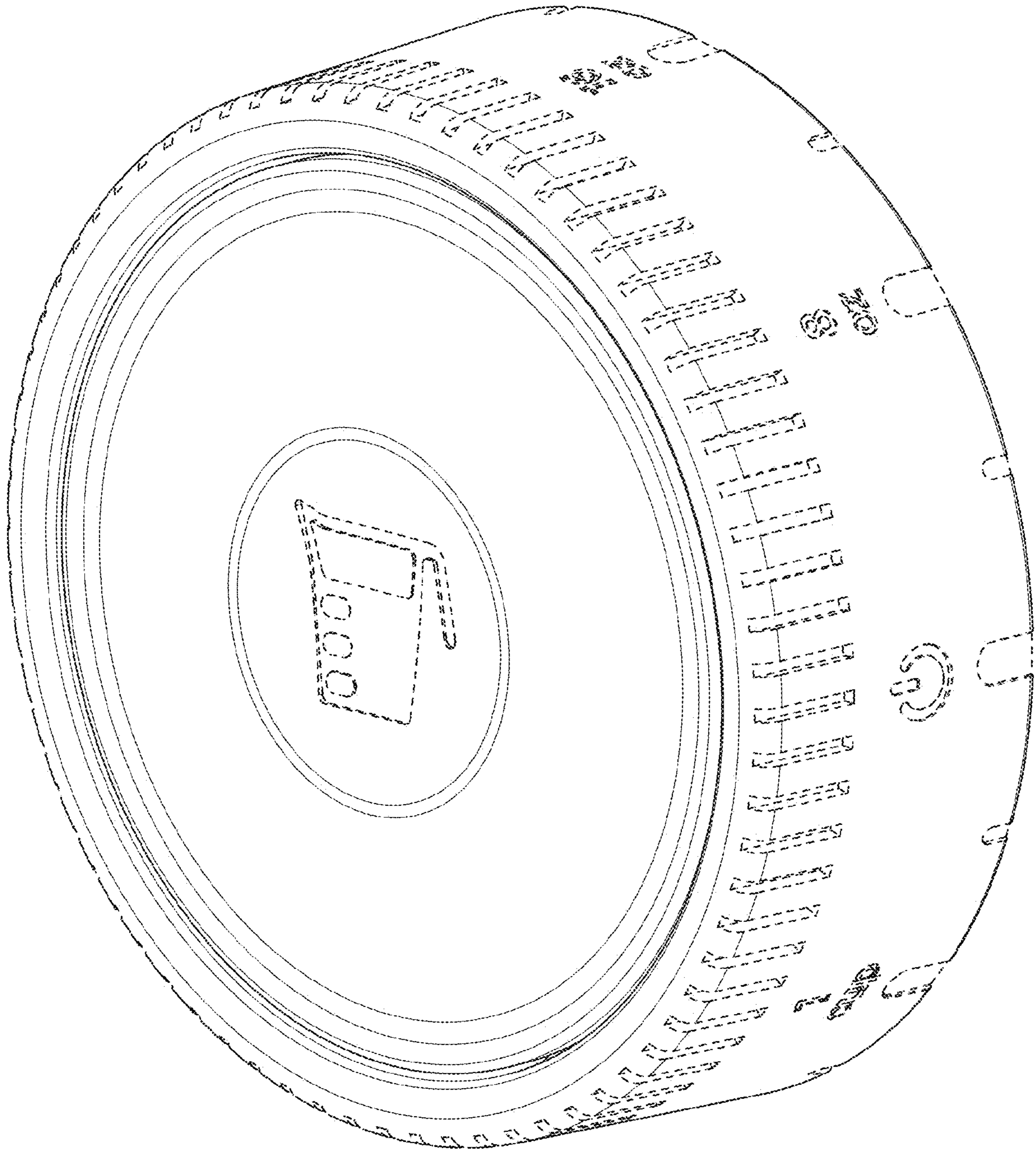


FIG. 1

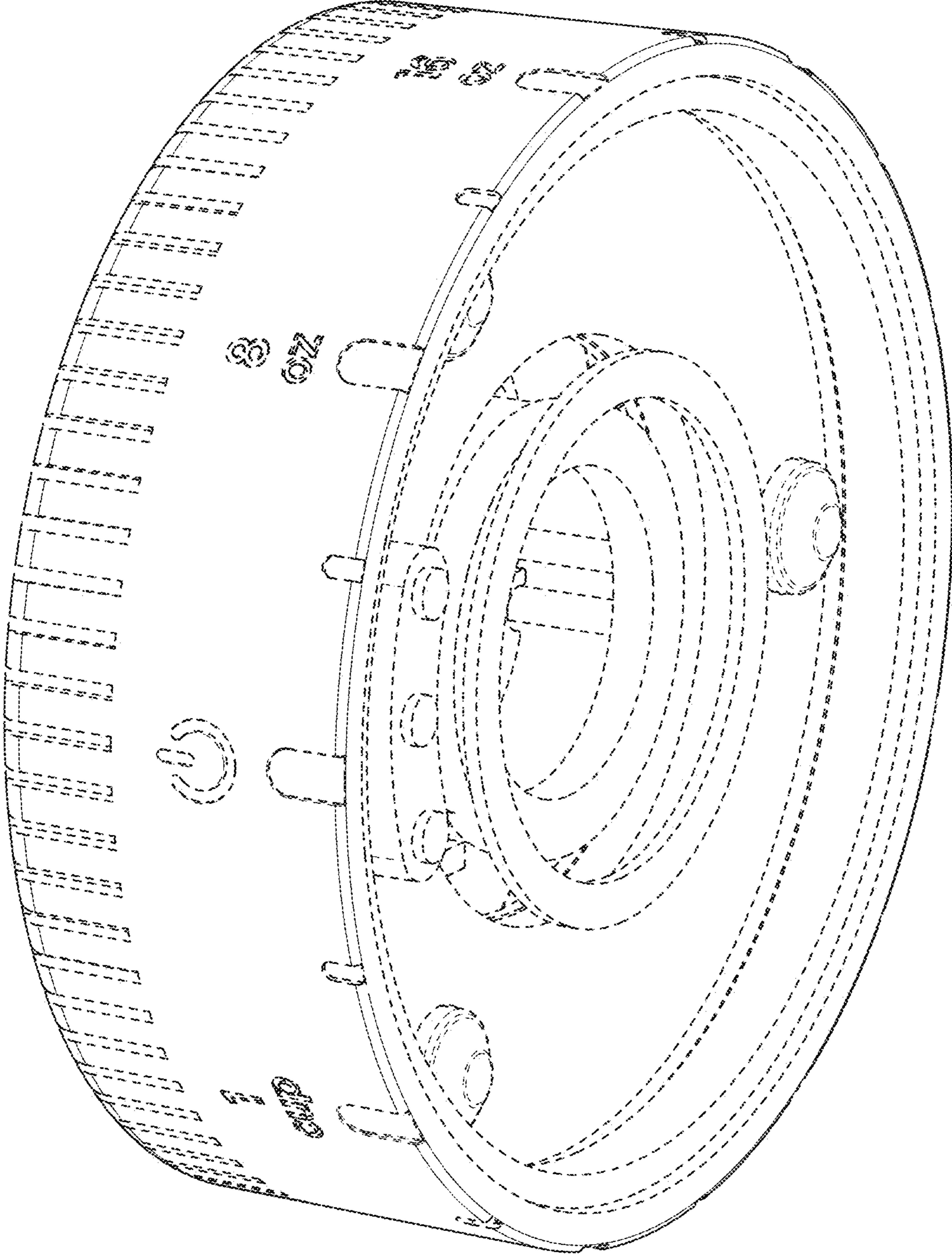


FIG. 2

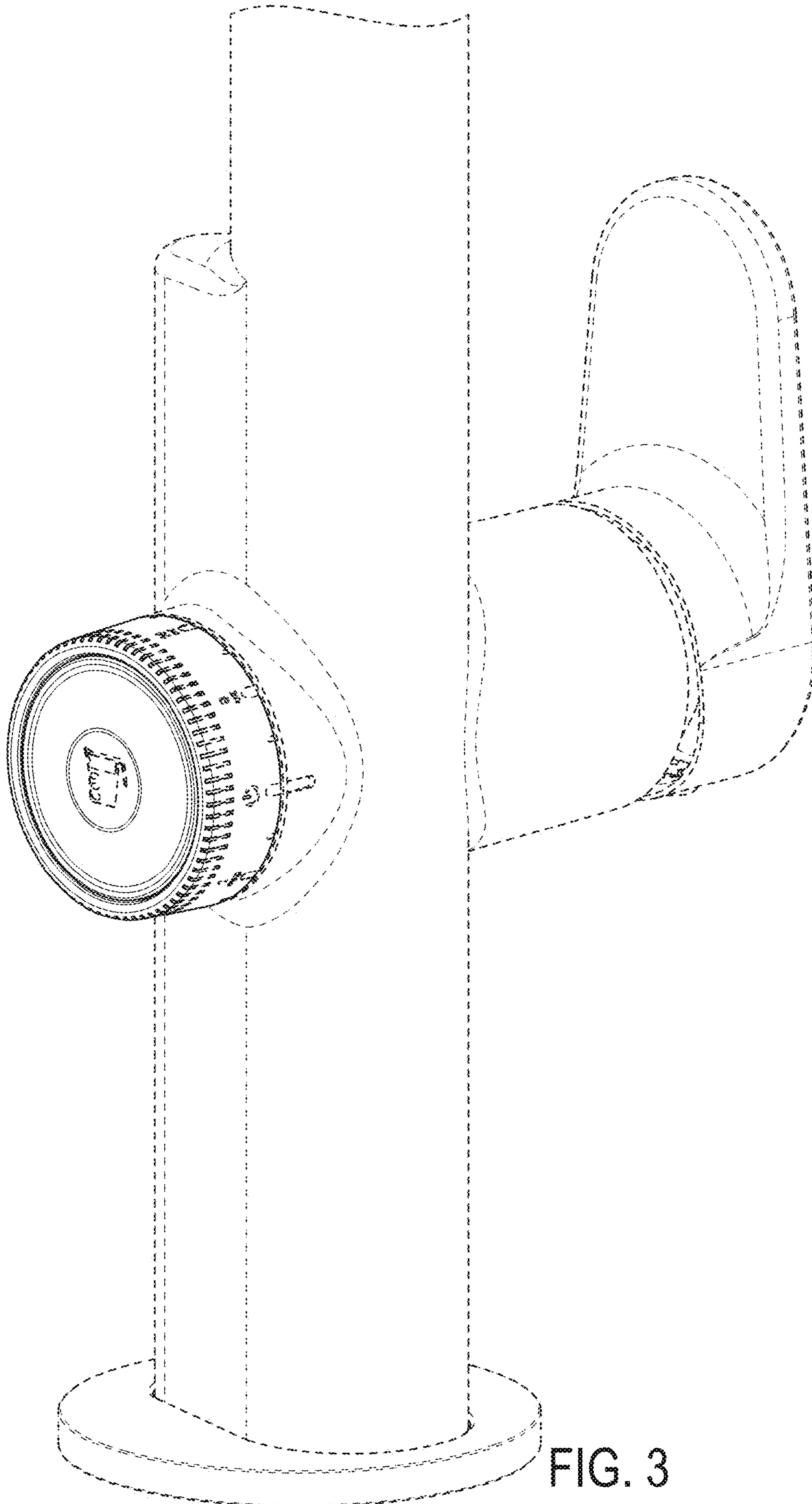


FIG. 3

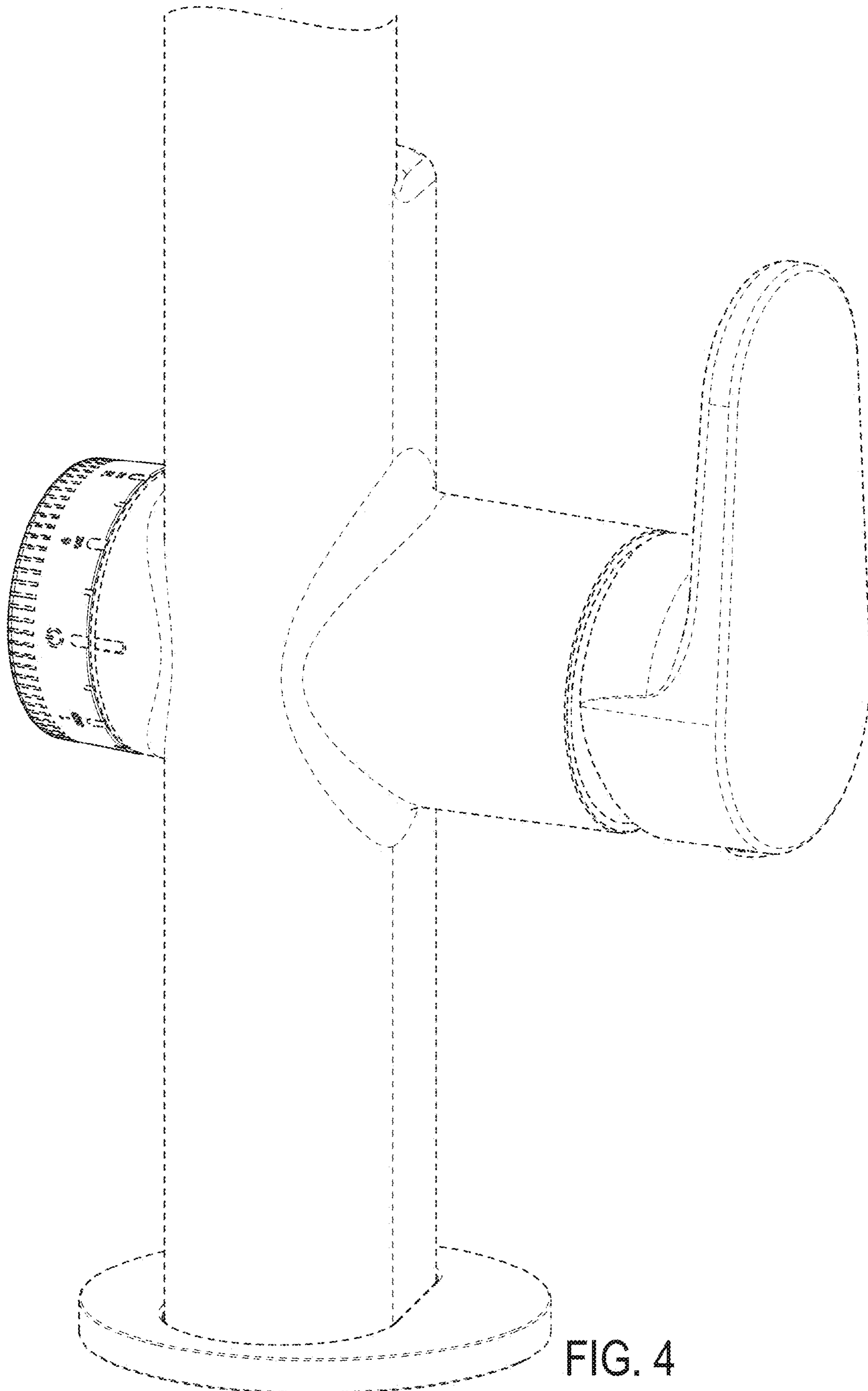


FIG. 4

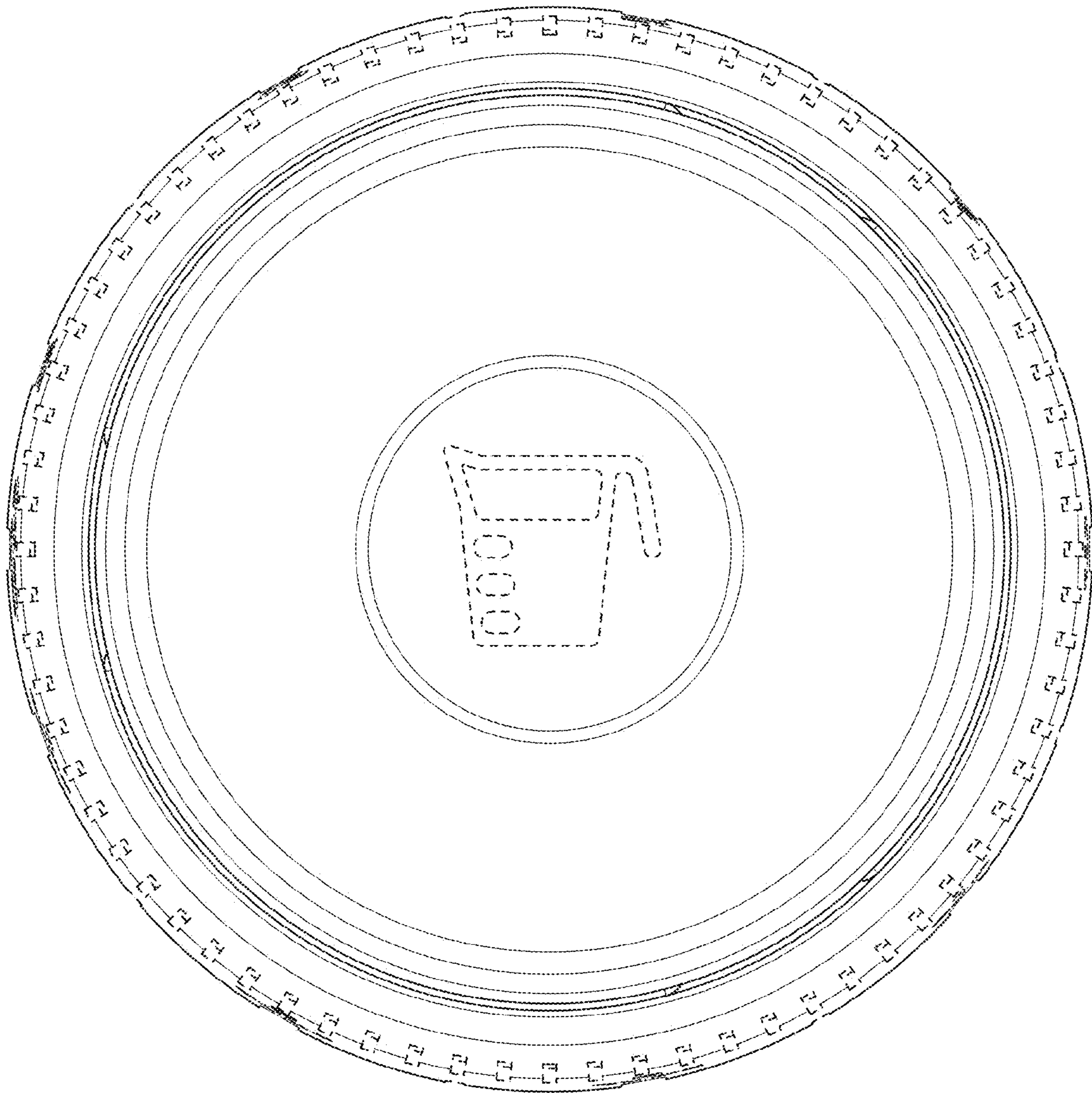


FIG. 5

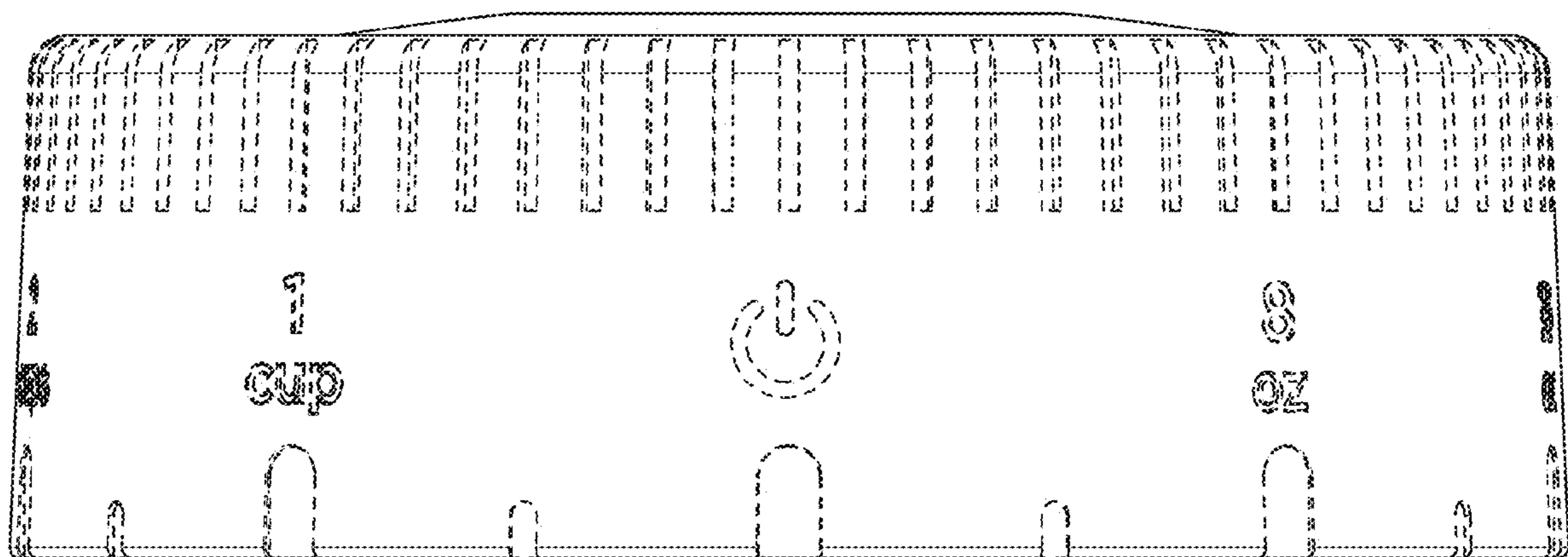


FIG. 6

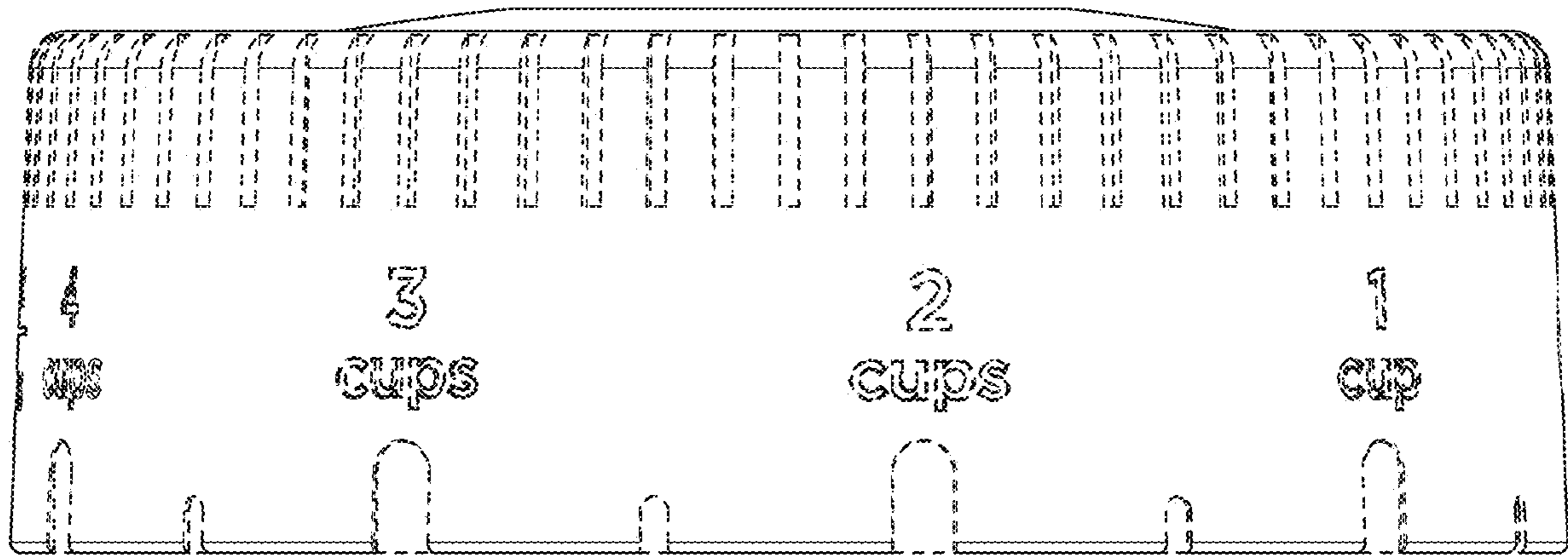


FIG. 7

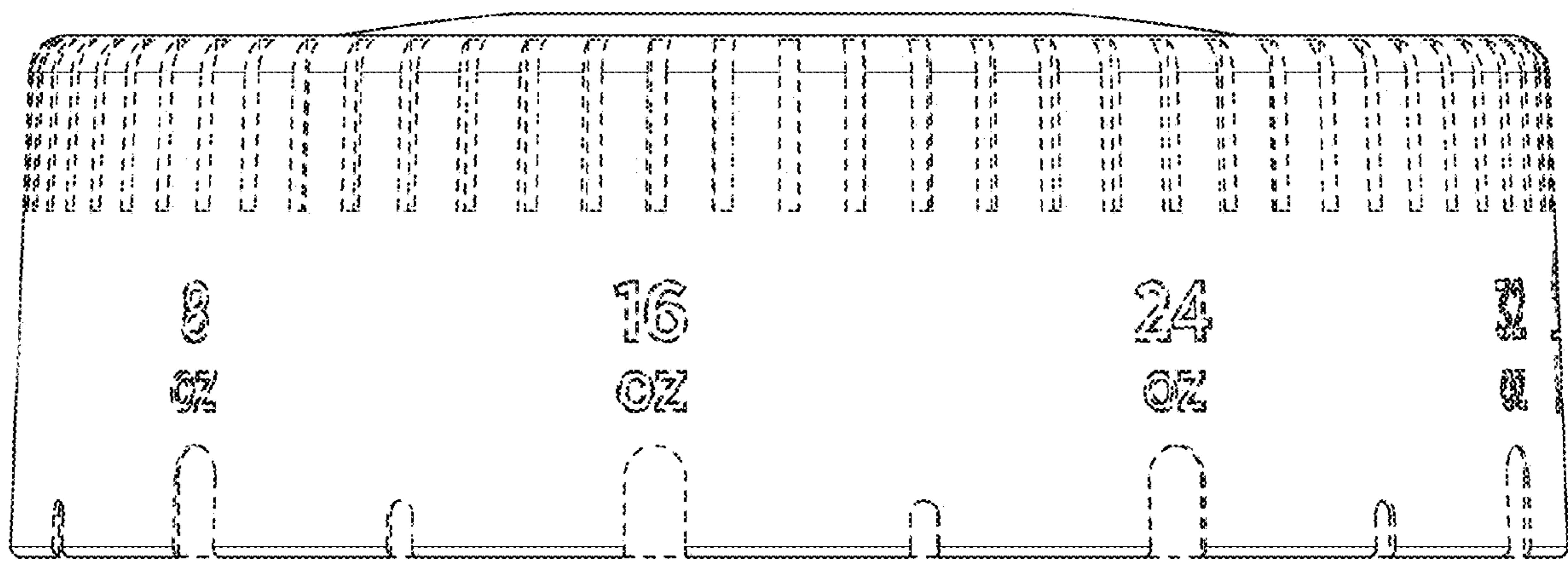


FIG. 8

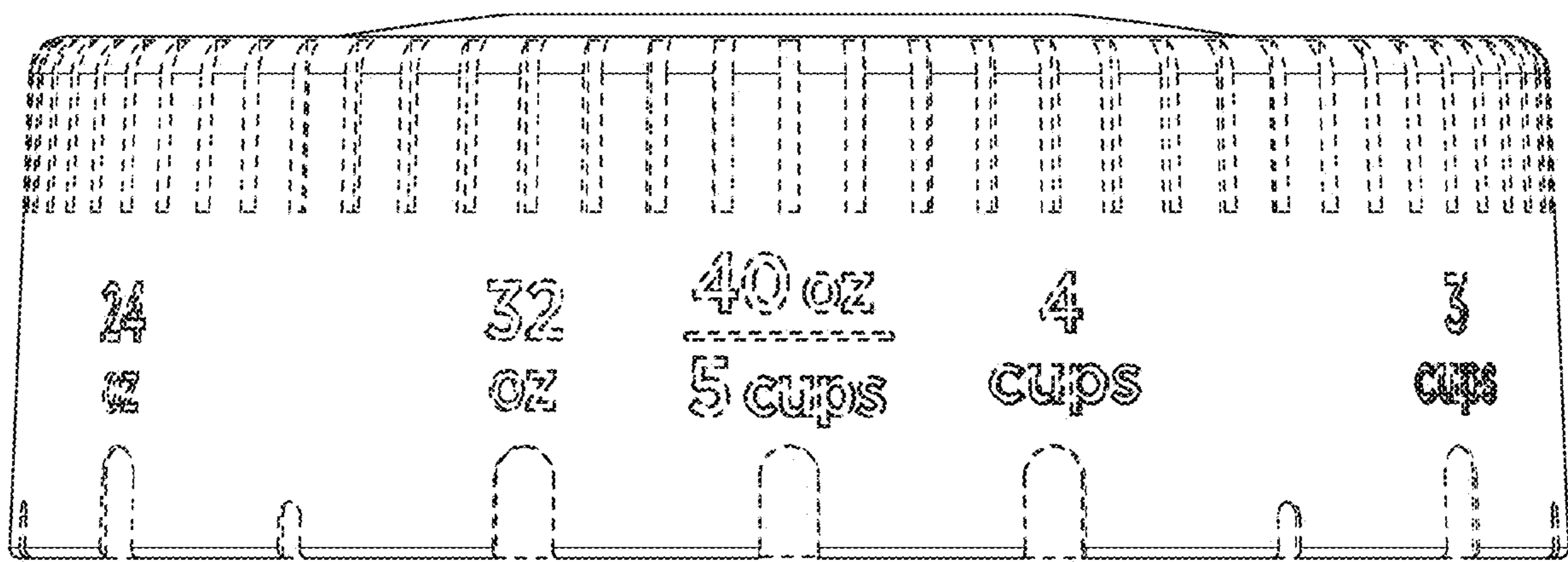


FIG. 9