



US00D905529S

(12) **United States Design Patent**  
**Caswell**

(10) **Patent No.:** **US D905,529 S**

(45) **Date of Patent:** **\*\* Dec. 22, 2020**

(54) **FOLDING KNIFE WITH LINKAGE ASSEMBLY**

(71) Applicant: **GB II Corporation**, Tualatin, OR (US)

(72) Inventor: **Joseph Caswell**, Newbury Park, CA (US)

(73) Assignee: **GB II Corporation**, Tualatin, OR (US)

(\*\*) Term: **15 Years**

(21) Appl. No.: **29/700,146**

(22) Filed: **Jul. 31, 2019**

(51) **LOC (12) Cl.** ..... **08-03**

(52) **U.S. Cl.**  
USPC ..... **D8/99**

(58) **Field of Classification Search**  
USPC ..... D8/99, 98, 100; D22/118  
(Continued)

(56) **References Cited**

**U.S. PATENT DOCUMENTS**

881,294 A 3/1908 Billings  
947,980 A 2/1910 Romano  
(Continued)

**FOREIGN PATENT DOCUMENTS**

CN 304492197 2/2018  
CN 207747078 8/2018  
(Continued)

**OTHER PUBLICATIONS**

Office action dated Jun. 19, 2020, issued by the Taiwan Intellectual Property Office in corresponding Taiwan Application No. 108308125, with English translation (5 pages).

(Continued)

*Primary Examiner* — Philip S Hyder

(74) *Attorney, Agent, or Firm* — Klarquist Sparkman, LLP

(57) **CLAIM**

I claim the ornamental design for a folding knife with linkage assembly, as shown and described.

**DESCRIPTION**

FIG. 1 is a perspective view of a folding knife with linkage assembly in a closed configuration, as viewed from the front, top, and one side thereof.

FIG. 2 is a right side elevational view of the folding knife with linkage assembly of FIG. 1 in a closed configuration.

FIG. 3 is a left side elevational view of the folding knife with linkage assembly of FIG. 1 in a closed configuration.

FIG. 4 is a rear elevational view of the folding knife with linkage assembly of FIG. 1 in a closed configuration.

FIG. 5 is a front elevational view of the folding knife with linkage assembly of FIG. 1 in a closed configuration.

FIG. 6 is a top plan view of the folding knife with linkage assembly of FIG. 1 in a closed configuration.

FIG. 7 is a bottom plan view of the folding knife with linkage assembly of FIG. 1 in a closed configuration.

FIG. 8 is a perspective view of the folding knife with linkage assembly of FIG. 1 in an open configuration, as viewed from the front, top, and one side thereof.

FIG. 9 is a right side elevational view of the folding knife with linkage assembly of FIG. 1 in an open configuration.

FIG. 10 is a left side elevational view of the folding knife with linkage assembly of FIG. 1 in an open configuration.

FIG. 11 is a rear elevational view of the folding knife with linkage assembly of FIG. 1 in an open configuration.

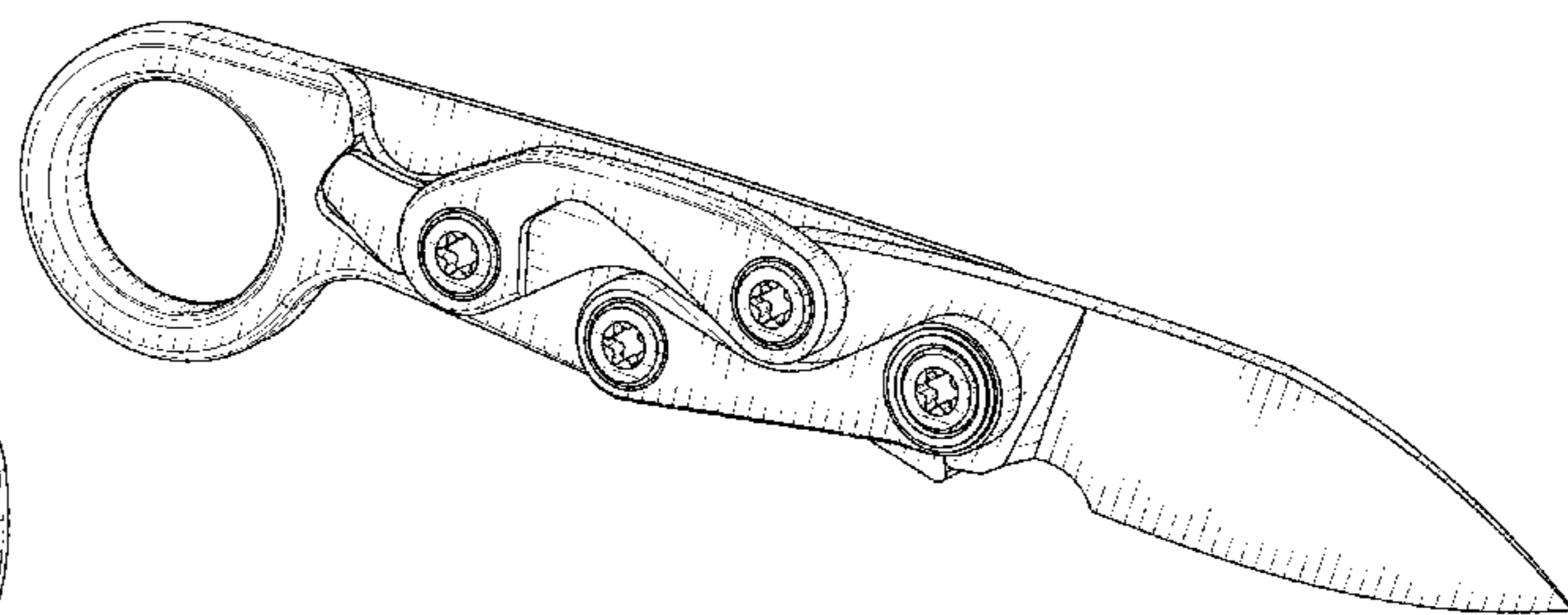
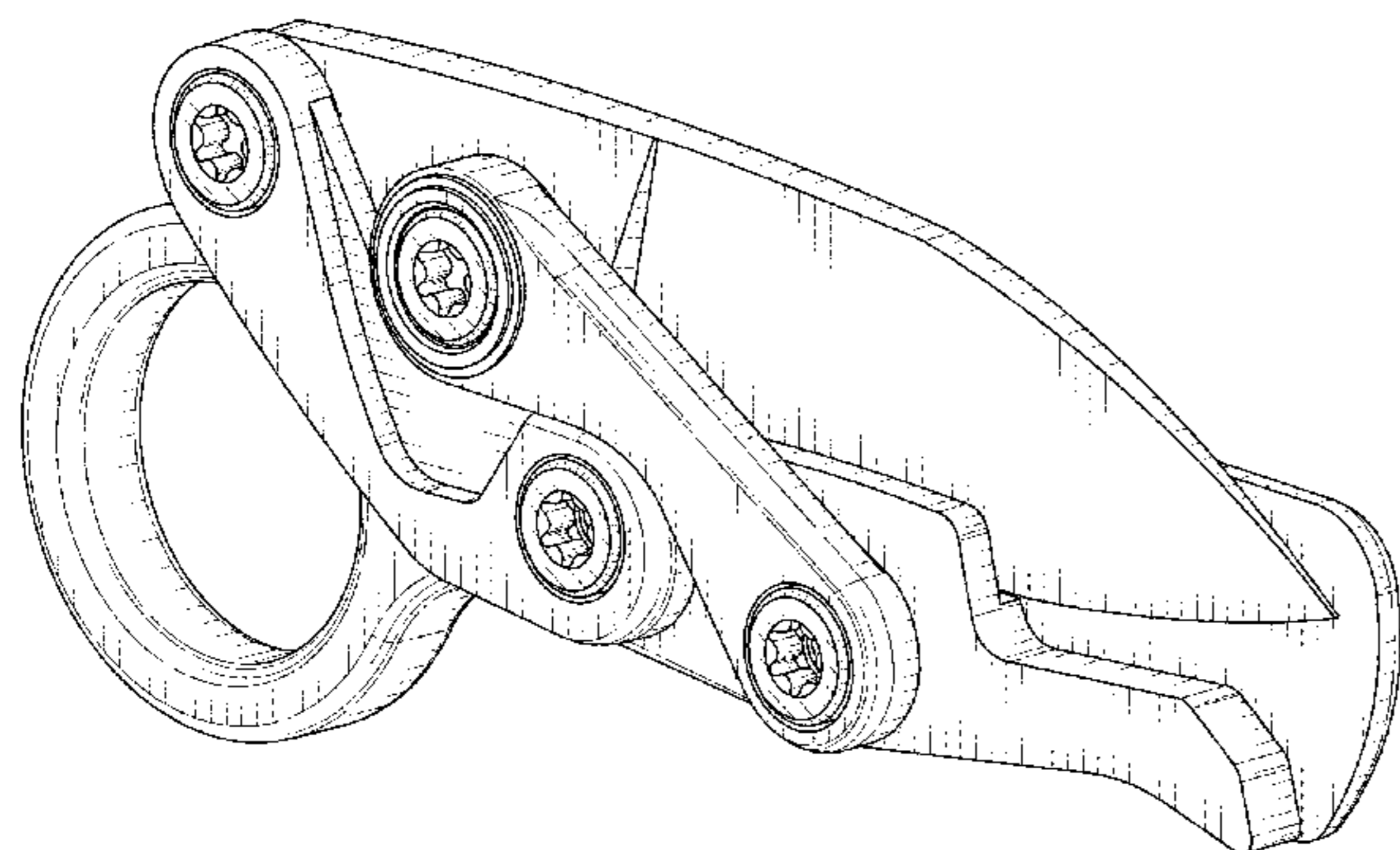
FIG. 12 is a front elevational view of the folding knife with linkage assembly of FIG. 1 in an open configuration.

FIG. 13 is a top plan view of the folding knife with linkage assembly of FIG. 1 in an open configuration; and,

FIG. 14 is a bottom plan view of the folding knife with linkage assembly of FIG. 1 in an open configuration.

The broken lines in the drawings represent unclaimed features of the folding knife with linkage assembly and form no part of the claimed design.

**1 Claim, 10 Drawing Sheets**



(58) **Field of Classification Search**  
 CPC .. B26B 5/003; B26B 1/02; B26B 1/04; B26B  
 1/042; B26B 1/044; B26B 1/046; B26B  
 1/048; B26B 1/08; B26B 1/10  
 See application file for complete search history.

(56) **References Cited**

U.S. PATENT DOCUMENTS

1,454,665	A	5/1923	Bobek
1,665,955	A	4/1928	Gatewood
1,743,022	A	1/1930	Carman
2,561,682	A	7/1951	Barnett
3,316,635	A	5/1967	Merrow et al.
3,863,339	A	2/1975	Reaney et al.
4,173,068	A	11/1979	Cargill
D270,655	S	9/1983	Collins
4,404,748	A	9/1983	Wiethoff
4,451,982	A	6/1984	Collins
4,502,221	A	3/1985	Pittman
4,612,706	A	9/1986	Yunes
4,719,700	A	1/1988	Taylor, Jr.
4,722,140	A	2/1988	Miceli
4,776,094	A	10/1988	Glesser
4,805,303	A	2/1989	Gibbs
4,811,486	A	3/1989	Cunningham
4,837,932	A	6/1989	Elsener
4,893,409	A	1/1990	Poehlmann
4,974,323	A	12/1990	Cassady
4,979,301	A	12/1990	Walker
5,044,079	A	9/1991	Gibbs
5,060,379	A	10/1991	Neely
5,095,624	A	3/1992	Ennis
5,111,581	A	5/1992	Collins
5,293,690	A	3/1994	Cassady
5,325,588	A	6/1994	Rinehart et al.
5,331,741	A	7/1994	Taylor, Jr.
5,425,175	A	6/1995	Rogers
5,426,855	A	6/1995	Keklak et al.
5,502,895	A	4/1996	Lemaire
5,515,610	A	5/1996	Levin et al.
5,537,750	A	7/1996	Seber et al.
5,546,662	A	8/1996	Seber et al.
5,596,808	A	1/1997	Lake et al.
5,615,484	A	4/1997	Pittman
5,685,079	A	11/1997	Brothers et al.
5,689,885	A	11/1997	Walston
5,692,304	A	12/1997	Campbell
5,737,841	A	4/1998	McHenry et al.
5,755,035	A	5/1998	Weatherly
5,802,722	A	9/1998	Maxey et al.
5,815,927	A	10/1998	Collins
5,822,866	A	10/1998	Pardue
5,826,340	A	10/1998	Hull
5,878,500	A	3/1999	Emerson
5,887,347	A	3/1999	Gibbs
5,964,036	A	10/1999	Centofante
6,079,106	A	6/2000	Vallotton
6,154,965	A	12/2000	Sakai

6,195,898	B1	3/2001	Lemisch
6,338,431	B1	1/2002	Onion
6,378,214	B1	4/2002	Onion
6,427,335	B1	8/2002	Ralph
6,438,848	B1	8/2002	McHenry et al.
6,477,777	B1	11/2002	Oliveri
6,490,797	B1	12/2002	Lake et al.
6,594,906	B1	7/2003	Sakai et al.
6,722,969	B2	4/2004	Hendrickson
6,725,545	B2	4/2004	Frank
D495,772	S	9/2004	Hibben
6,898,858	B1	5/2005	Spell
D510,009	S	9/2005	Lee
7,036,229	B1	5/2006	Demko
D553,467	S	10/2007	Ryan
D566,222	S	4/2008	Hawk et al.
D569,212	S	5/2008	Hawk et al.
7,676,930	B1	3/2010	Demko
7,681,316	B2	3/2010	Hawk et al.
7,905,022	B2	3/2011	Hawk et al.
7,940,510	B2	5/2011	Krudo
8,353,109	B2	1/2013	Rohrbach
8,402,662	B1	3/2013	Douzanis
8,732,957	B2	5/2014	Rohrbach
D713,923	S	9/2014	Salvitti et al.
8,973,273	B2	3/2015	Brown et al.
9,174,347	B2	11/2015	Hongquan et al.
D746,119	S *	12/2015	Pelton ..... D8/99
D746,120	S	12/2015	Pelton
9,289,904	B2	3/2016	Hawk et al.
D756,193	S *	5/2016	Horvath ..... D8/99
9,908,246	B2 *	3/2018	Frauenglass ..... B26B 1/02
D856,480	S *	8/2019	Andrews ..... D23/233
10,737,400	B2 *	8/2020	Caswell ..... B26B 1/10
2002/0059730	A1	5/2002	Flavigny
2006/0042098	A1	3/2006	Morales
2007/0124940	A1	6/2007	Hawk et al.
2011/0035847	A1	2/2011	Kishore et al.
2016/0368154	A1	12/2016	Varner
2018/0154531	A1	6/2018	Caswell
2018/0169876	A1	6/2018	Frauenglass
2020/0047357	A1	2/2020	Caswell

FOREIGN PATENT DOCUMENTS

CN	304815344	9/2018
CN	305200534	6/2019
CN	305220330	6/2019
DE	102006047835	B3 1/2008
DE	202015005079	U1 10/2015
DE	102014012803	A1 3/2016

OTHER PUBLICATIONS

Ex Parte Quayle Office Action dated Apr. 2, 2019, issued for U.S. Appl. No. 29/674,309 (10 pages).  
 Non-Final Office Action dated May 1, 2019, issued for U.S. Appl. No. 15/682,510 (18 pages).

\* cited by examiner

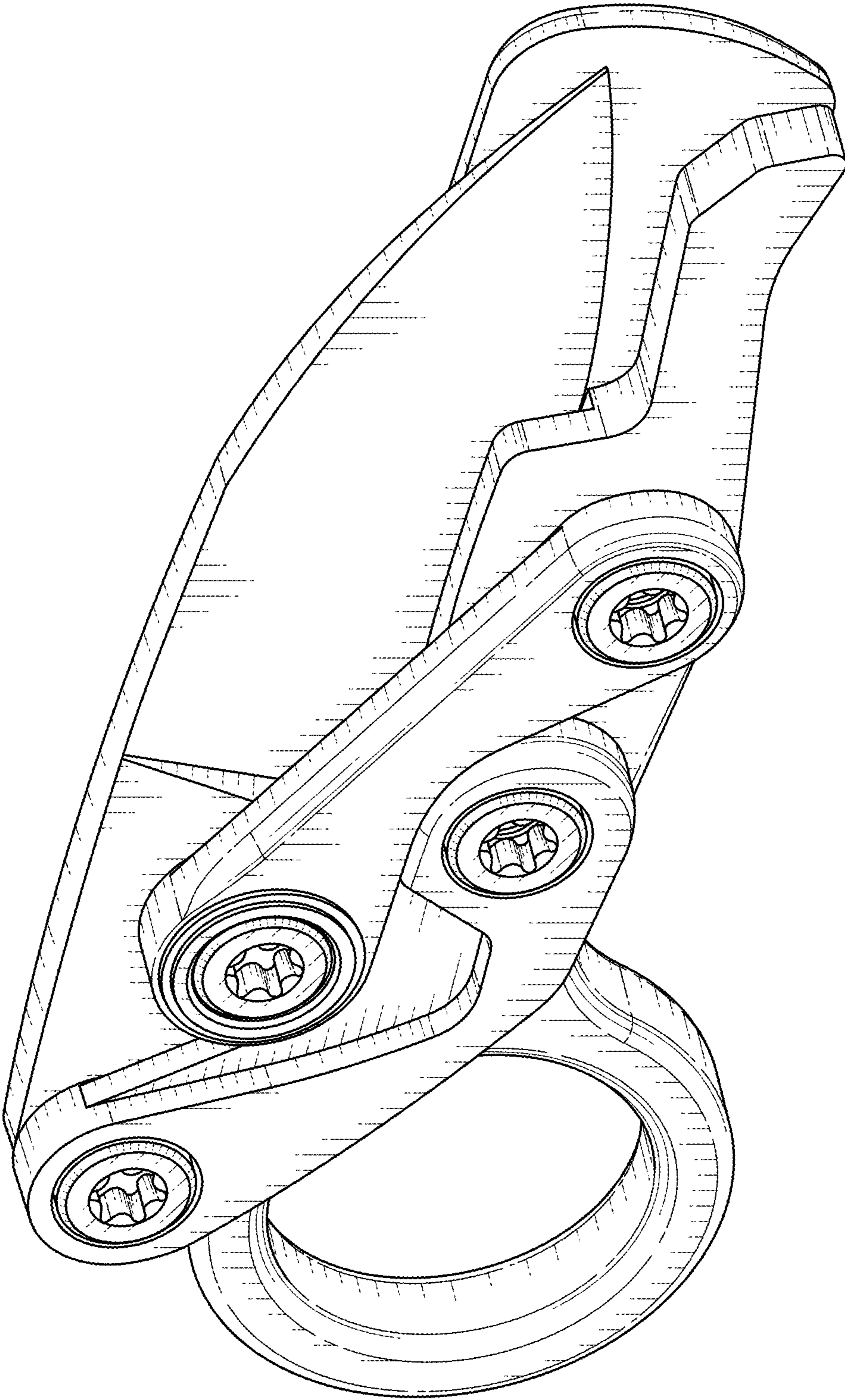


FIG. 1

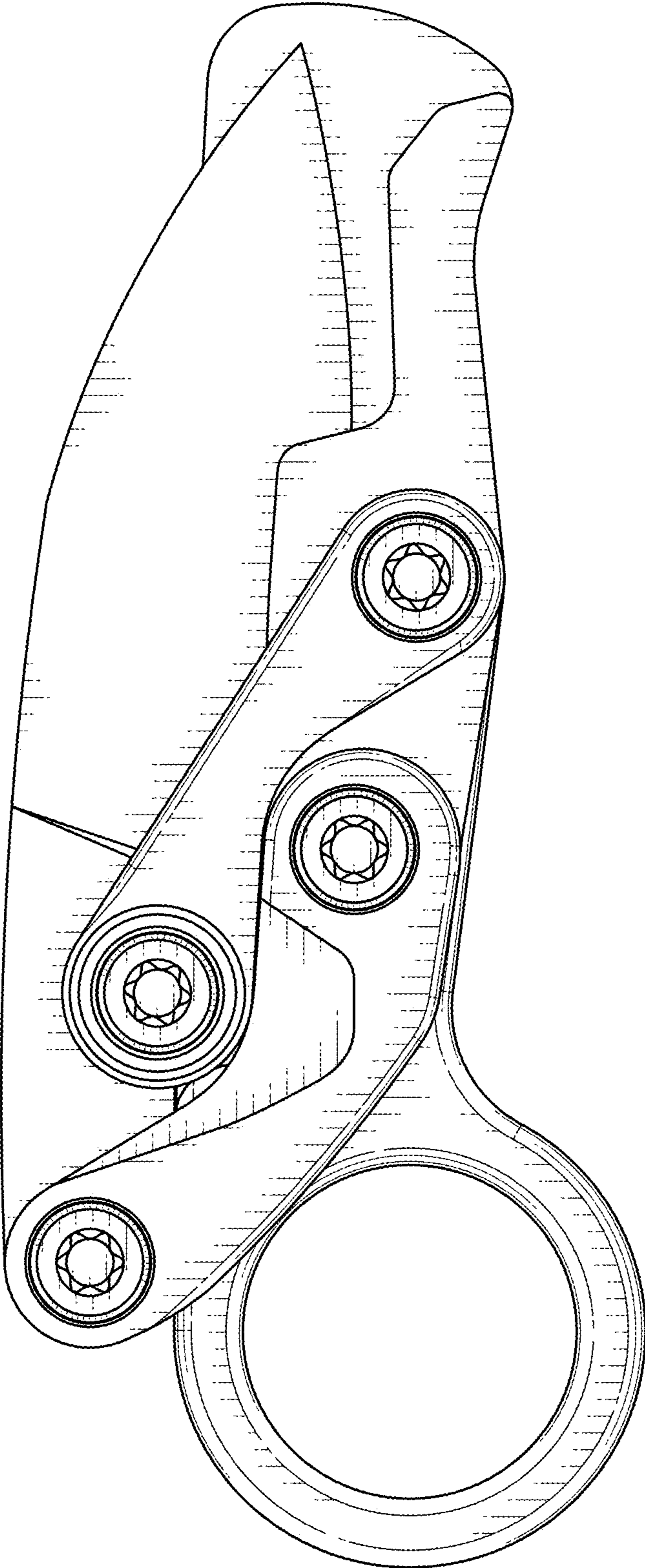


FIG. 2

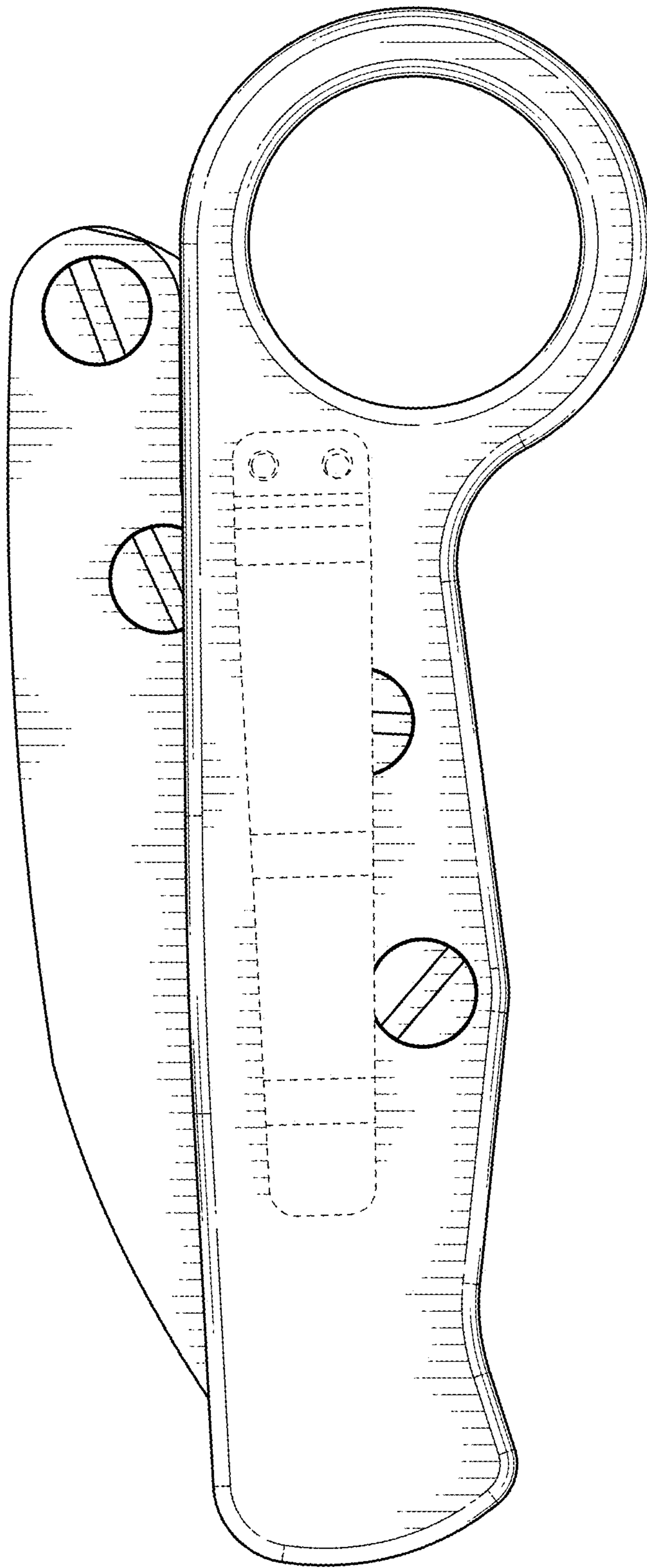


FIG. 3

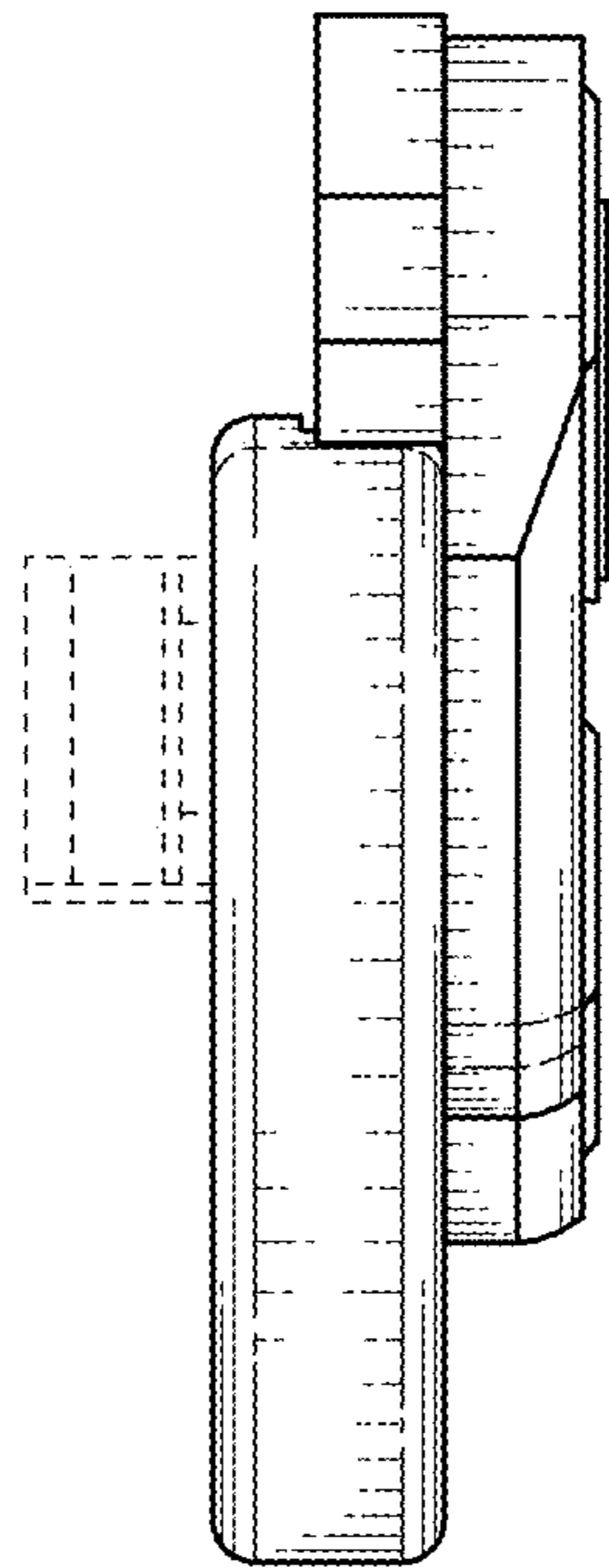


FIG. 4

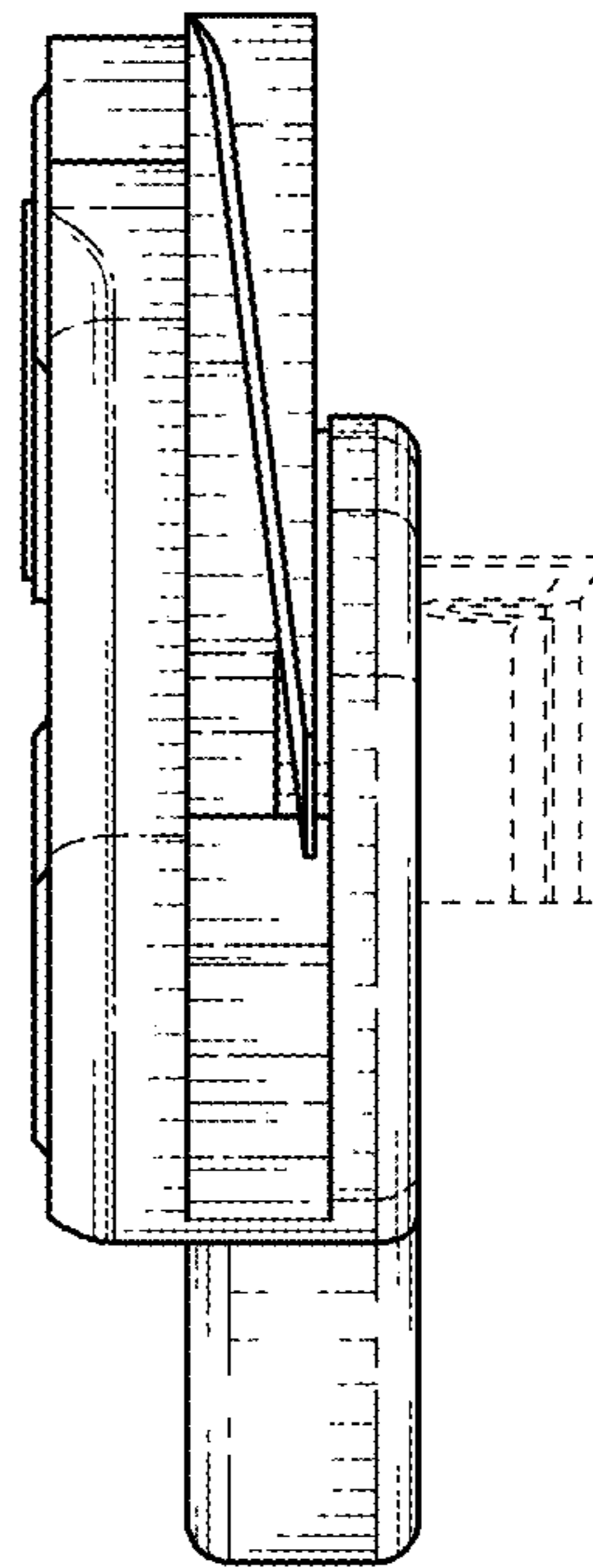


FIG. 5

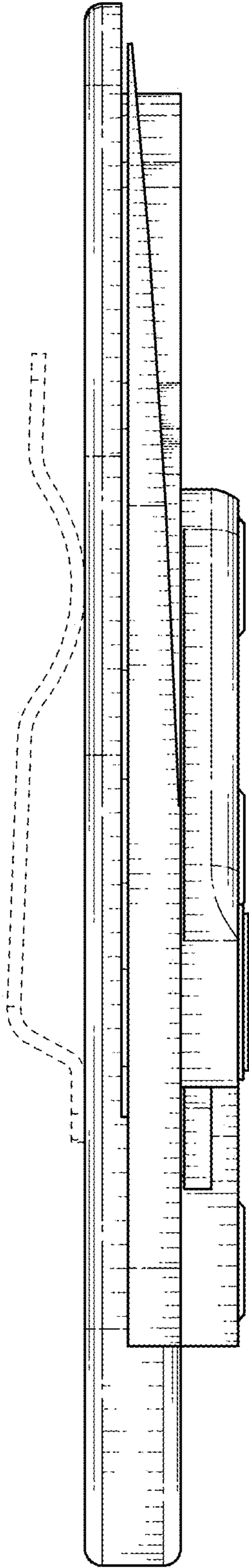


FIG. 6

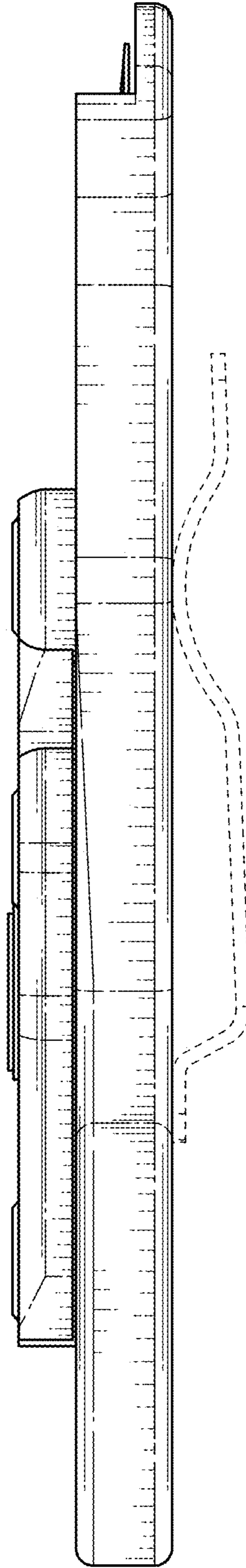


FIG. 7

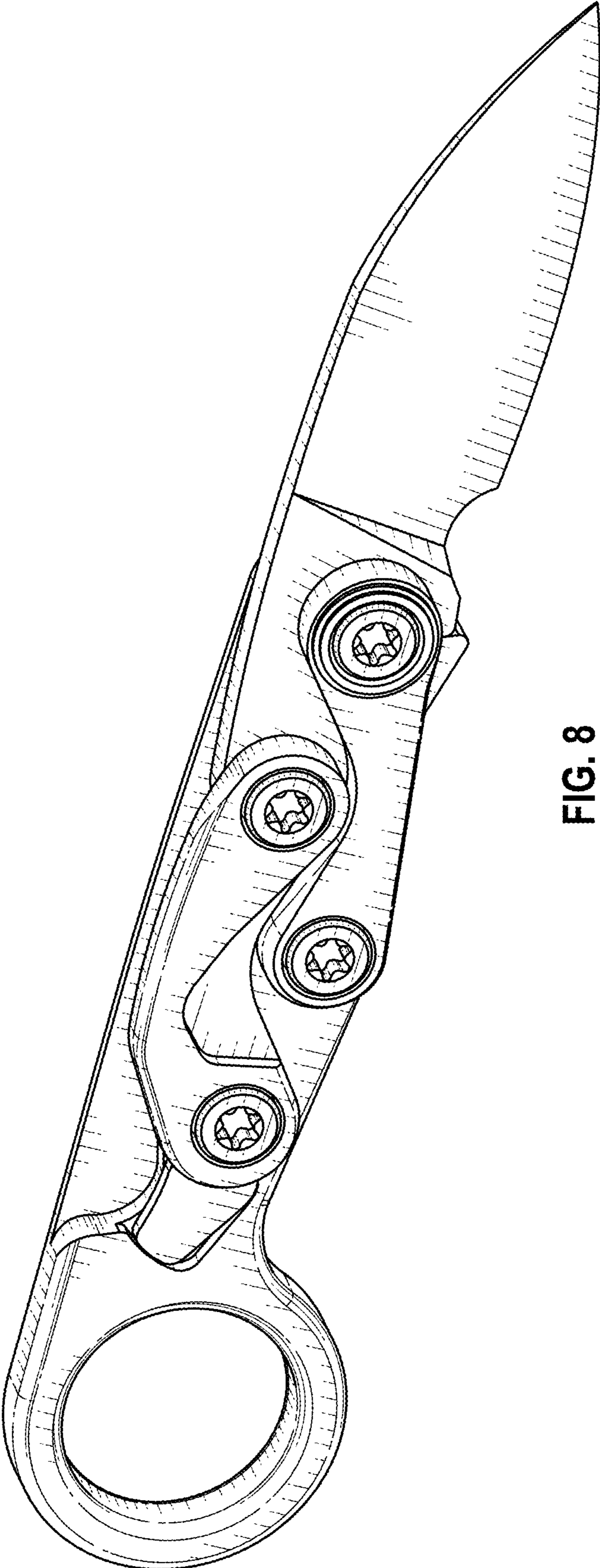


FIG. 8



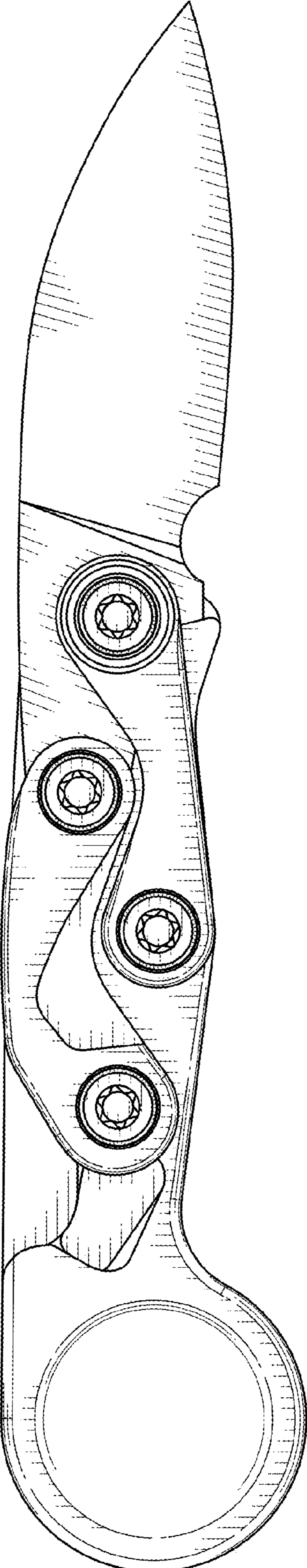


FIG. 9

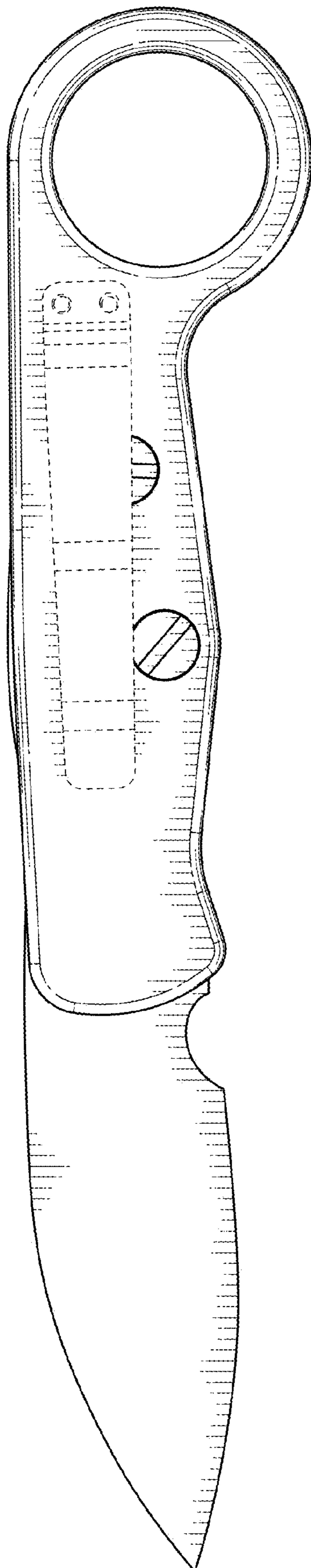


FIG. 10

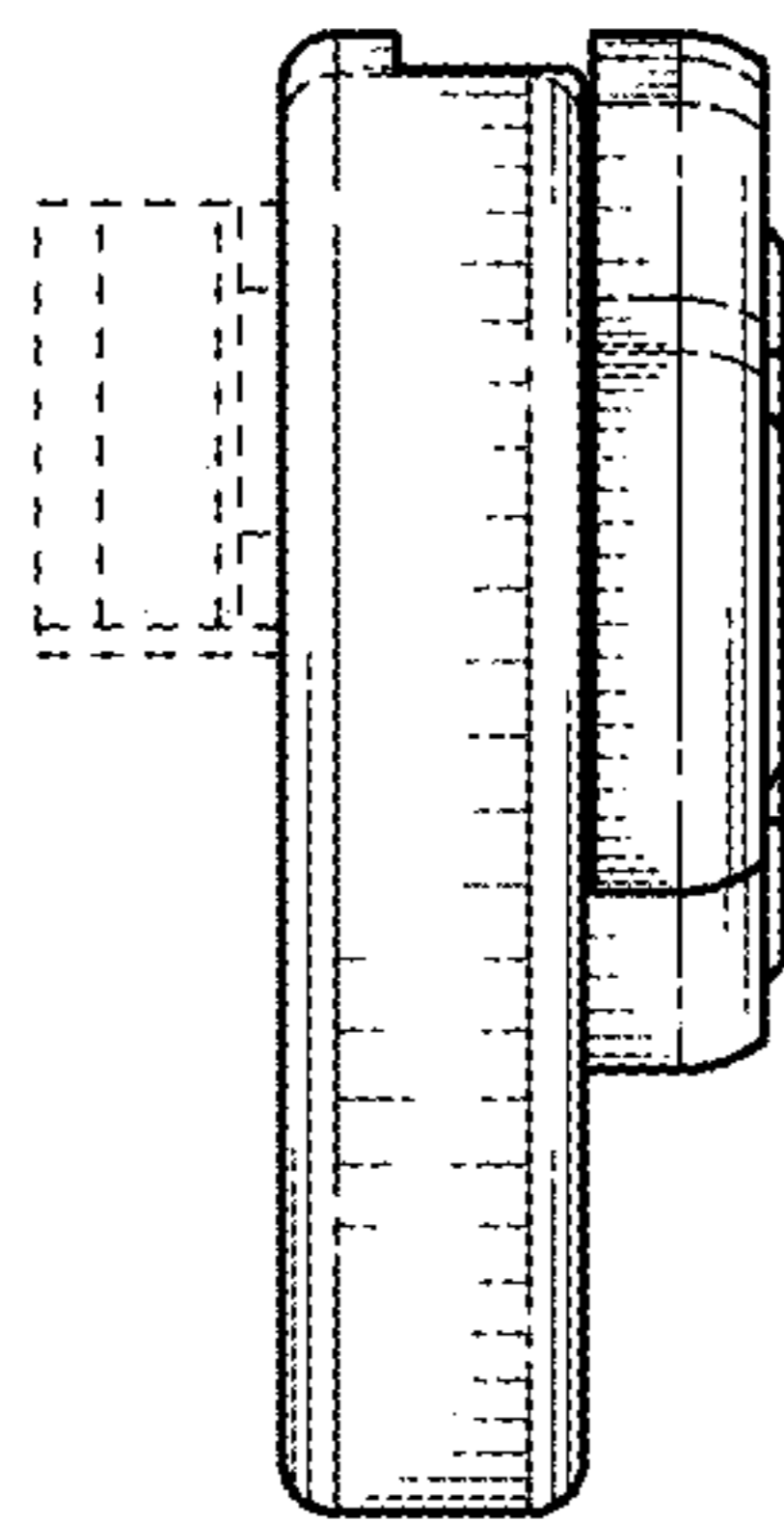


FIG. 11

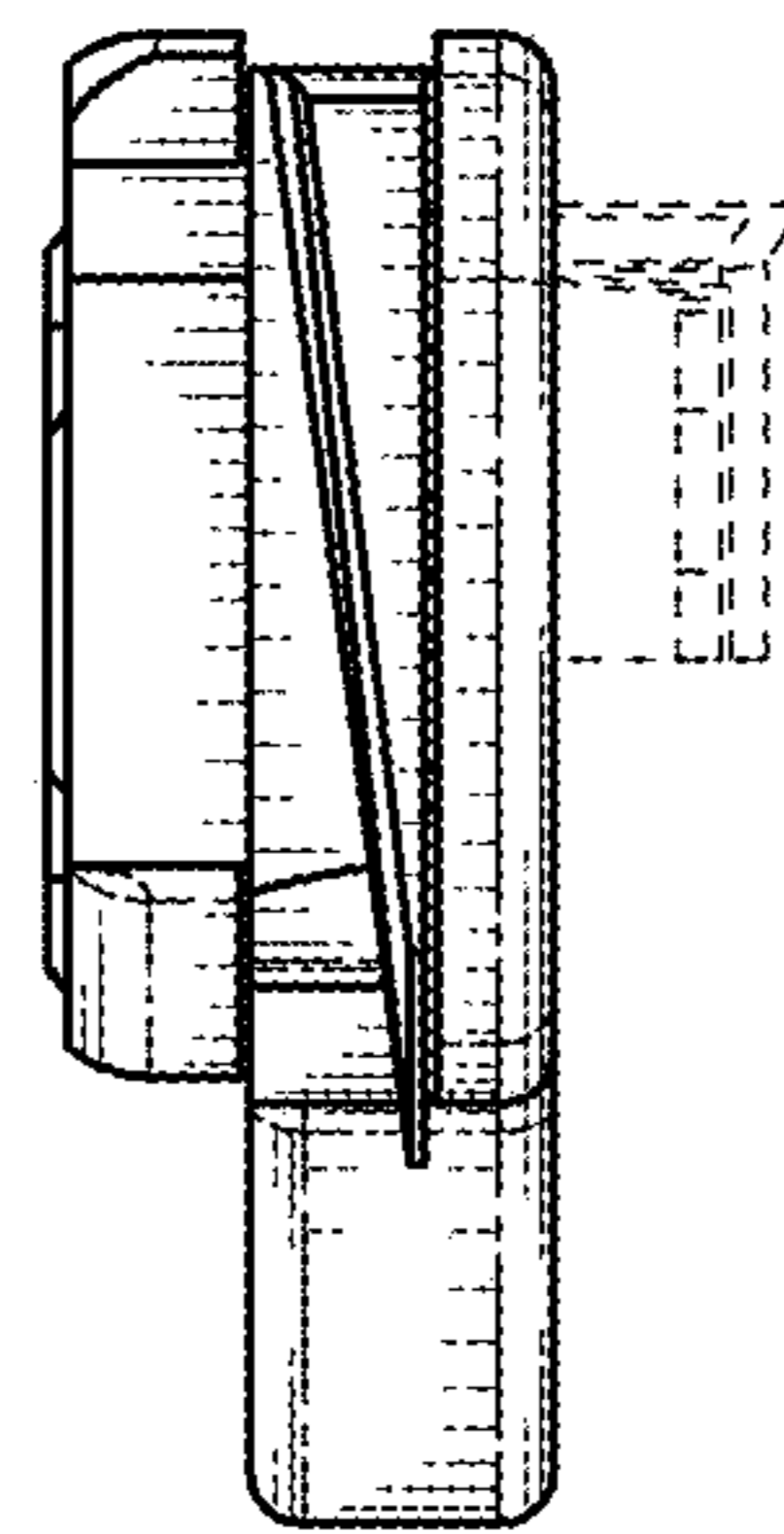


FIG. 12

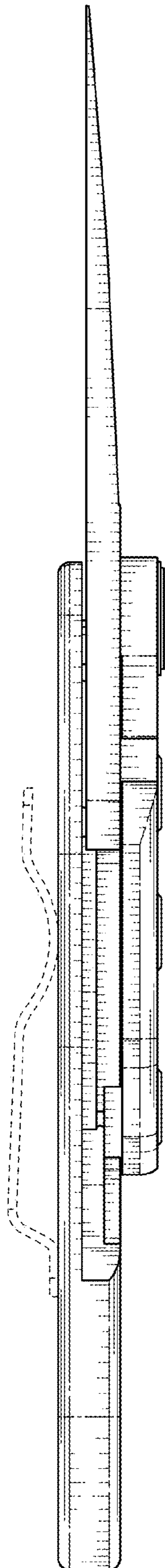


FIG. 13

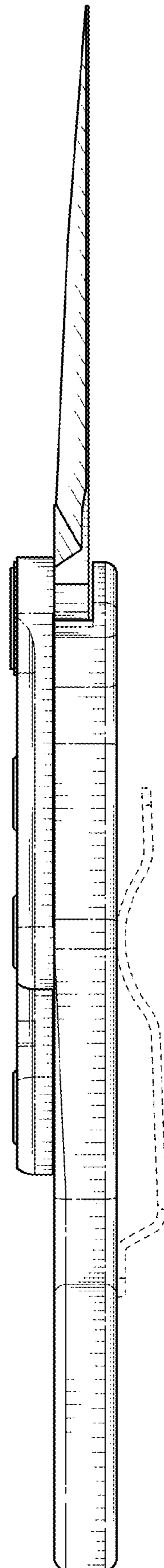


FIG. 14