



US00D905528S

(12) **United States Design Patent** (10) **Patent No.:** **US D905,528 S**
Spotora et al. (45) **Date of Patent:** **** Dec. 22, 2020**

(54) **ROTATING HEAD ASSEMBLY FOR A UTILITY KNIFE**

(71) Applicants: **Benjamin J. Spotora**, Chicago, IL (US); **Weston S. Koennecke**, Oak Park, IL (US)

(72) Inventors: **Benjamin J. Spotora**, Chicago, IL (US); **Weston S. Koennecke**, Oak Park, IL (US)

(**) Term: **15 Years**

(21) Appl. No.: **29/694,238**

(22) Filed: **Jun. 9, 2019**

(51) **LOC (12) Cl.** **08-03**

(52) **U.S. Cl.**
USPC **D8/99**

(58) **Field of Classification Search**
USPC D8/98, 99, 100, 105, 107; D22/118
CPC .. B26B 1/08; B26B 5/00; B26B 5/001; B26B 5/002; B26B 5/003; B26B 5/006; B26B 1/00; B26B 1/04; B26B 1/10; B26B 11/00

See application file for complete search history.

(56) **References Cited**

U.S. PATENT DOCUMENTS

6,675,485	B1 *	1/2004	Shih	B26B 1/10	30/321
6,915,577	B2	7/2005	Scala			
D686,481	S *	7/2013	Robinson	D8/99	
D738,182	S *	9/2015	Parker	D8/99	
D784,108	S *	4/2017	Gilbert	D8/99	
D846,965	S *	4/2019	Gilbert	D8/99	
D848,235	S *	5/2019	Dechant	D8/99	
2011/0271531	A1	11/2011	Huang			
2012/0030949	A1	2/2012	Ping			

2012/0304472	A1 *	12/2012	Medhurst	B26B 1/04	30/162
2014/0144028	A1 *	5/2014	Gilbert	B26B 1/10	30/321
2016/0184999	A1 *	6/2016	Gilbert	B26B 1/08	30/162
2019/0375118	A1 *	12/2019	Spotora	B26B 1/10	

* cited by examiner

Primary Examiner — Philip S Hyder

(74) *Attorney, Agent, or Firm* — Kaspar Law Company, LLC; Scott R. Kaspar

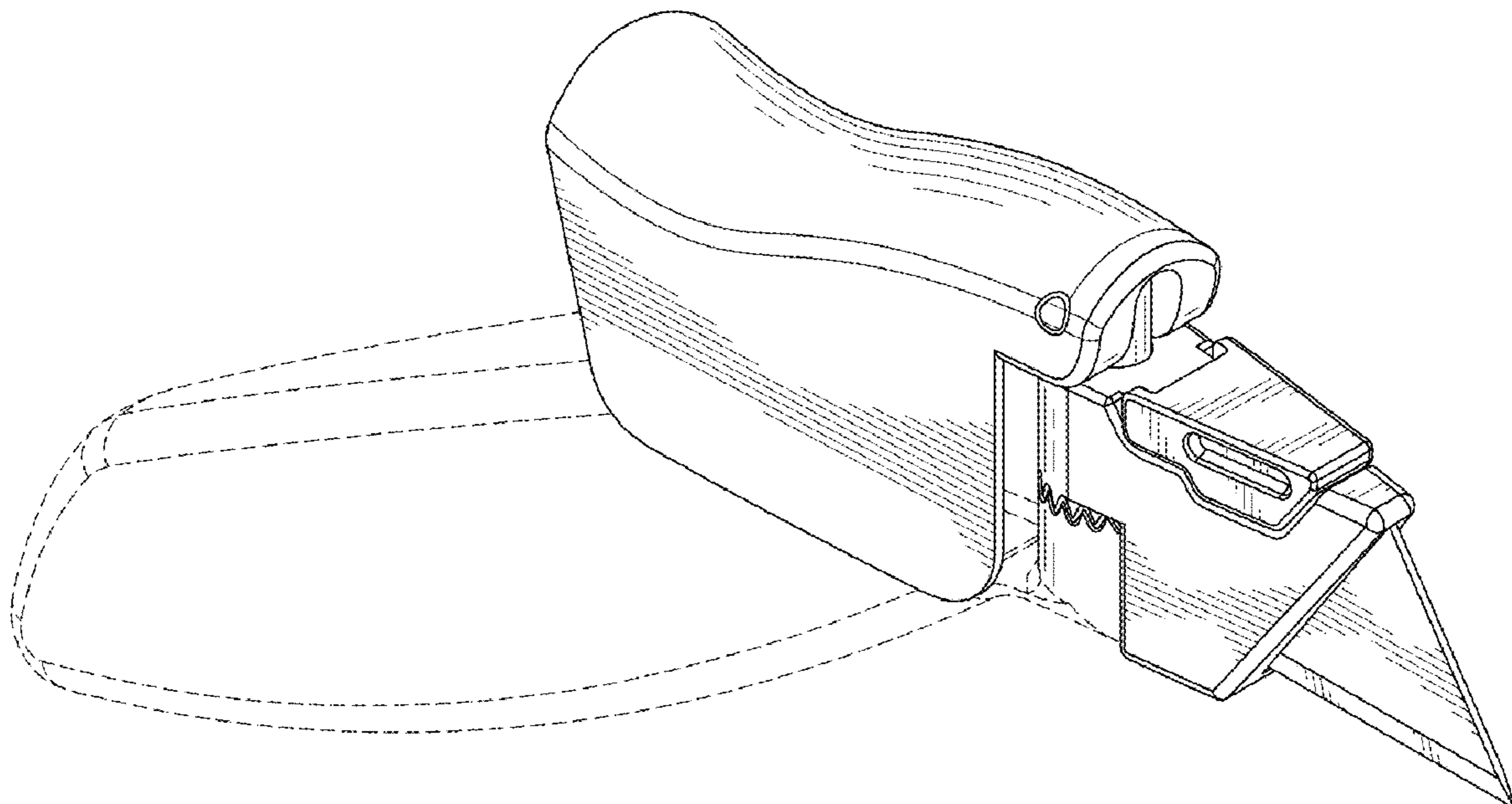
(57) **CLAIM**

The ornamental design for a rotating head assembly for a utility knife, as shown and described.

DESCRIPTION

FIG. 1 is a perspective view of a rotating head assembly for a utility knife, showing our new design;
 FIG. 2 is a left side view of a rotating head assembly for a utility knife;
 FIG. 3 is a right side view of a rotating head assembly for a utility knife;
 FIG. 4 is a front view of a rotating head assembly for a utility knife;
 FIG. 5 is a back view of a rotating head assembly for a utility knife;
 FIG. 6 is a top view of a rotating head assembly for a utility knife; and,
 FIG. 7 is a bottom view of a rotating head assembly for a utility knife.
 The broken line showing of the utility knife handle is provided for the purposes of environment and forms no part of the claimed design.

1 Claim, 4 Drawing Sheets



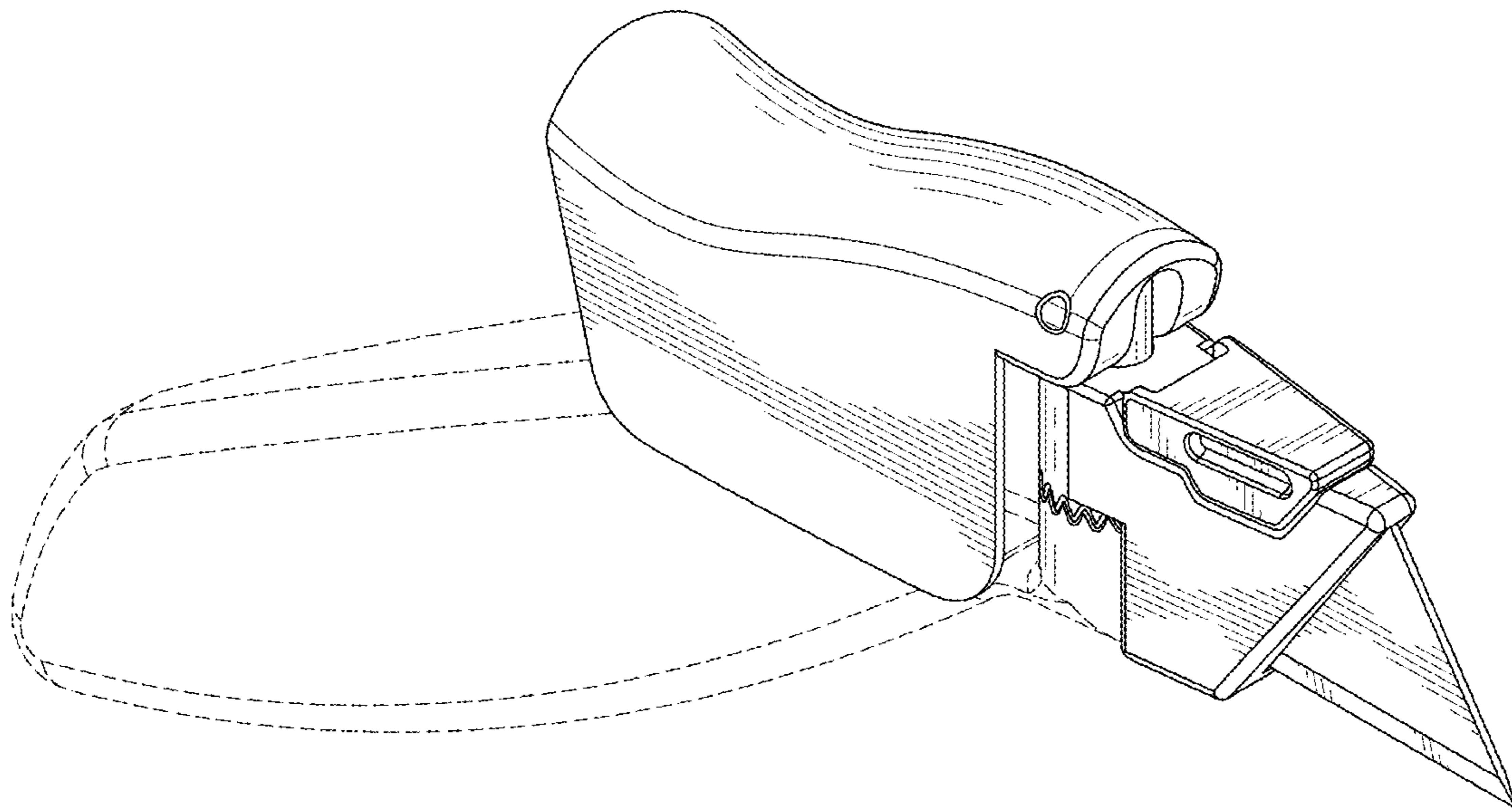


FIG. 1

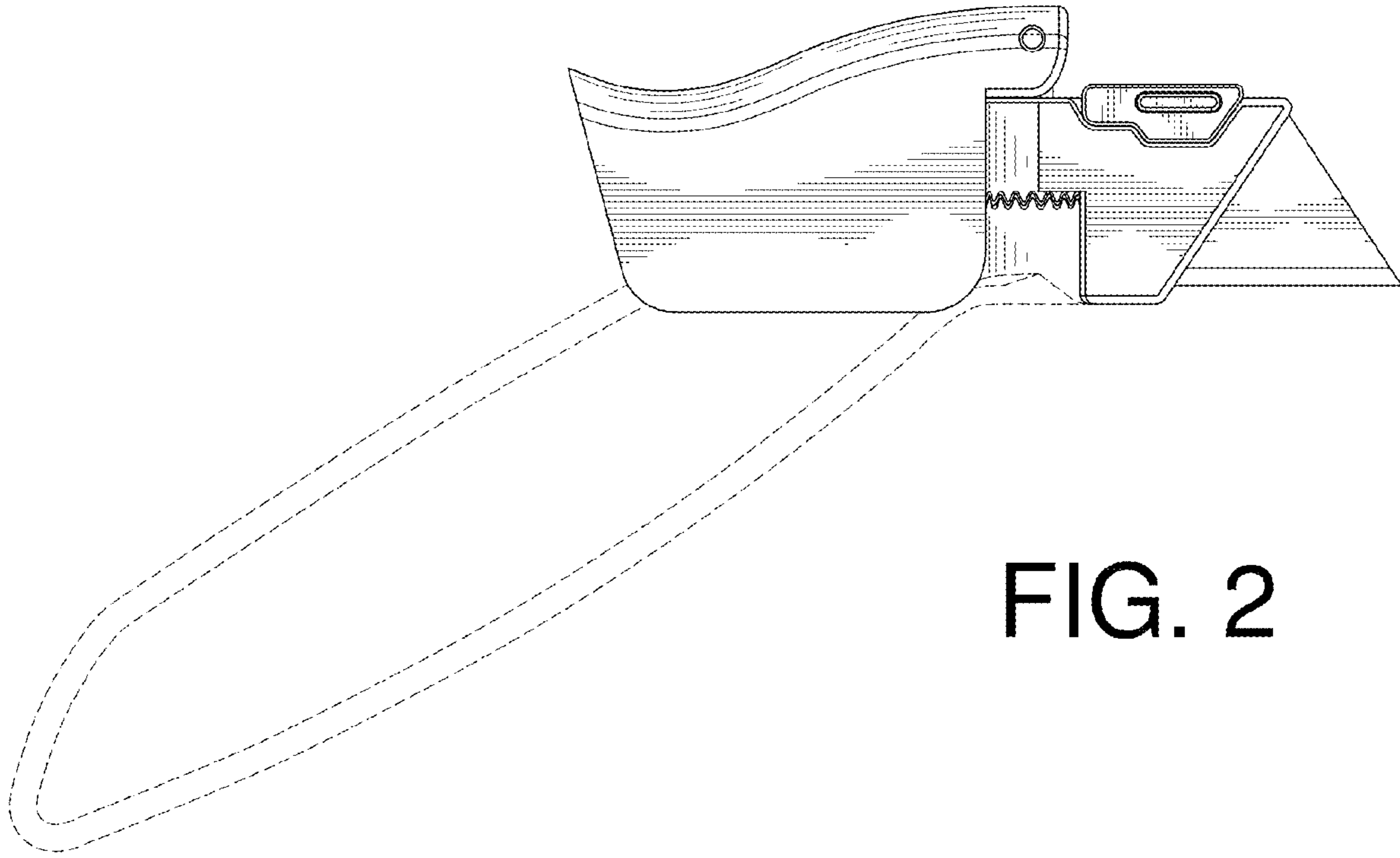


FIG. 2

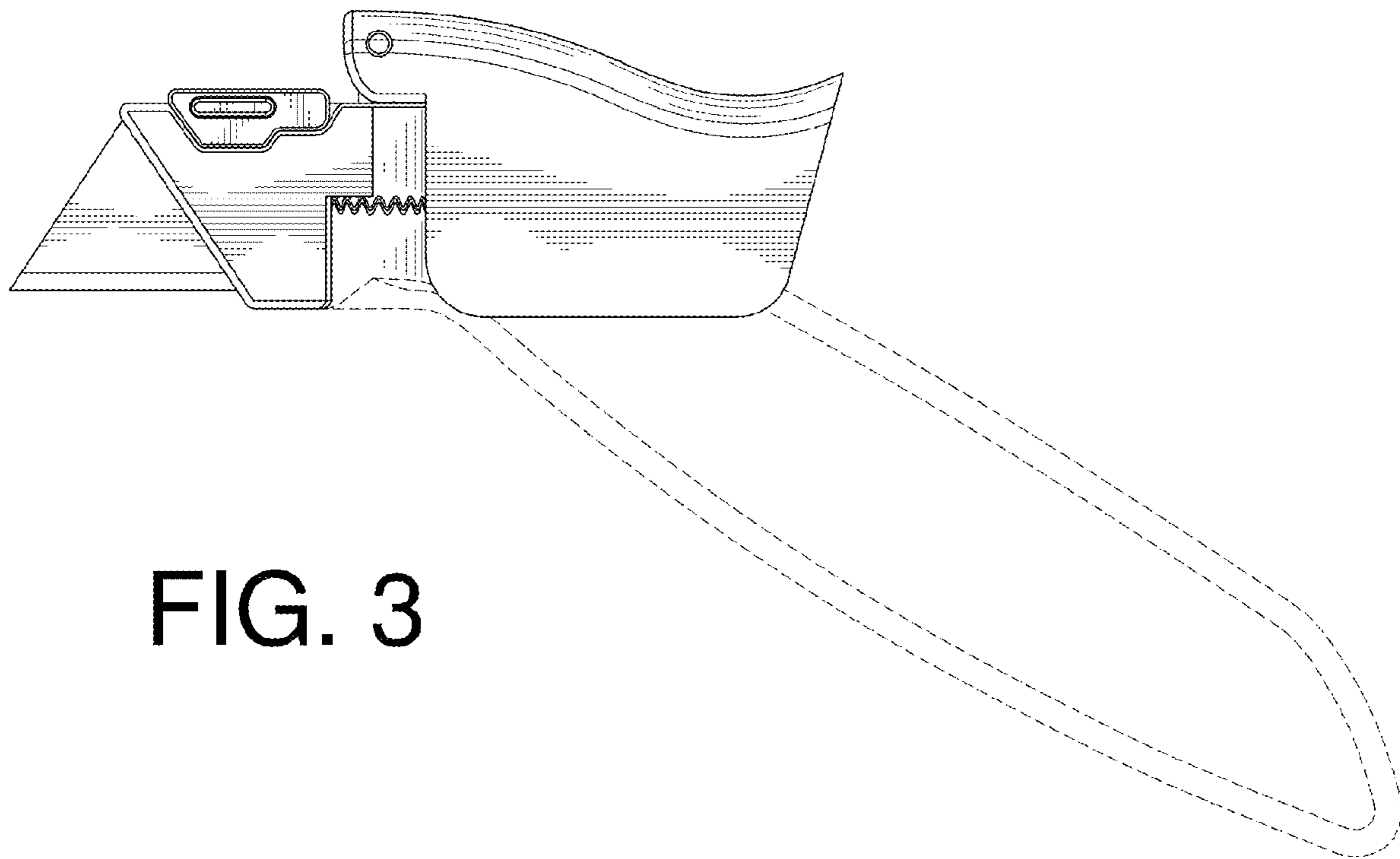


FIG. 3

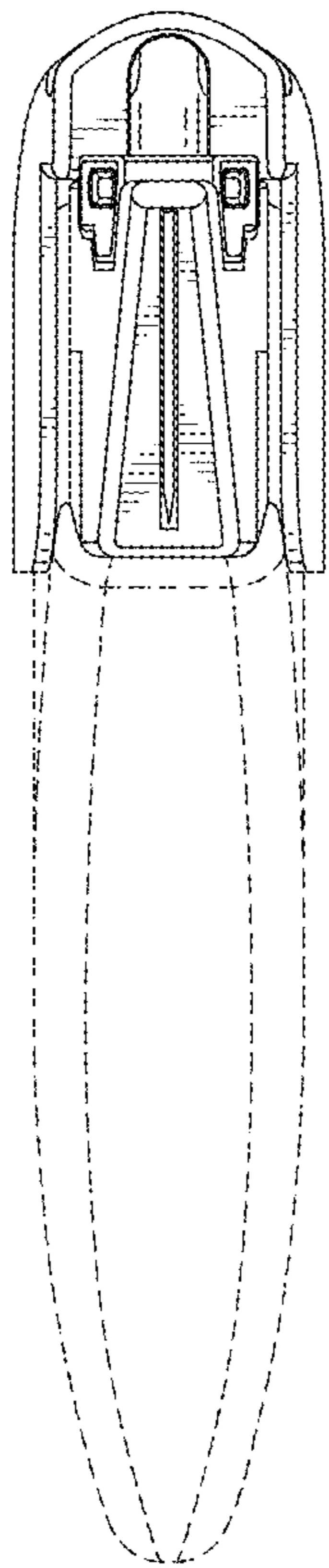


FIG. 4

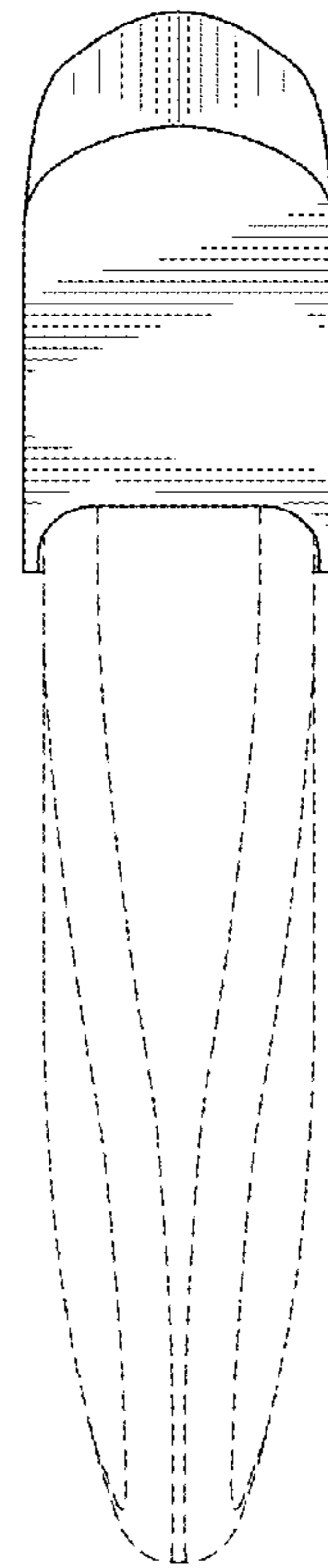


FIG. 5

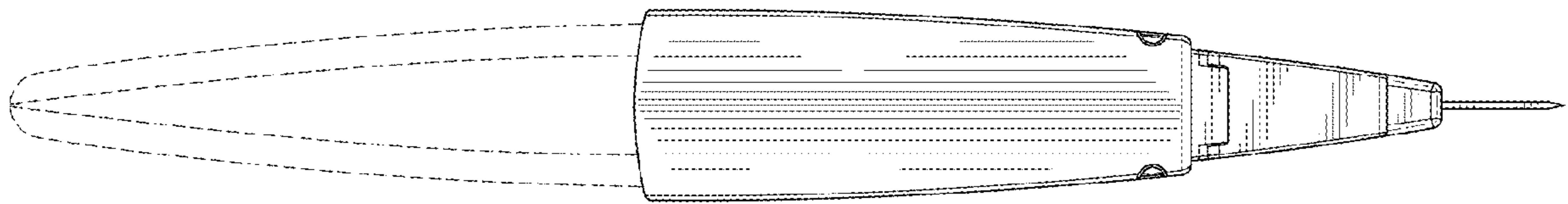


FIG. 6

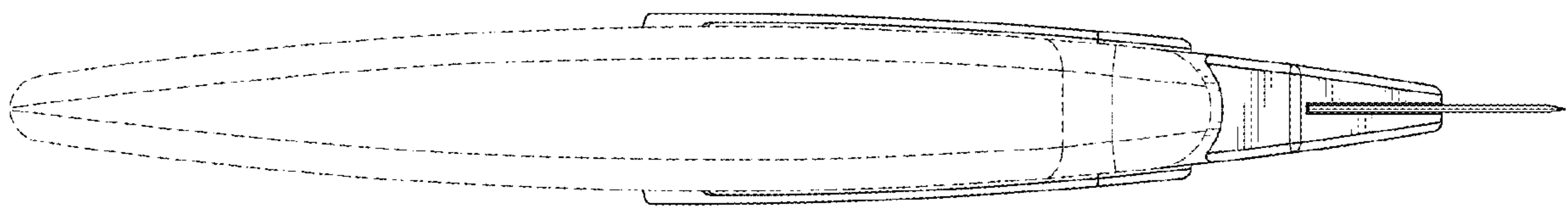


FIG. 7