



US00D905527S

(12) **United States Design Patent** (10) **Patent No.:** **US D905,527 S**
Myers et al. (45) **Date of Patent:** **** Dec. 22, 2020**

- (54) **WISE WITH ANVIL**
- (71) Applicant: **JPW Industries Inc.**, LaVergne, TN (US)
- (72) Inventors: **Steven Myers**, Buffalo Valley, TN (US); **Joseph Galluzzi**, Nashville, TN (US); **Thomas Balko**, LaCrosse, WI (US); **Charles Weber**, Onalaska, WI (US)
- (73) Assignee: **JPW Industries Inc.**, LaVergne, TN (US)
- (**) Term: **15 Years**
- (21) Appl. No.: **29/677,120**
- (22) Filed: **Jan. 17, 2019**
- (51) **LOC (12) Cl.** **08-05**
- (52) **U.S. Cl.**
USPC **D8/74**
- (58) **Field of Classification Search**
USPC D8/71-74, 394-399, 59; 248/63, 72, 248/74.1, 689, 124.2; 81/487, 385, 386, 81/388-390; 269/3, 4, 6, 143, 165, 240, 269/243, 246-249, 254 R, 147-149; 29/256, 257, 276; 408/103, 104-109
CPC B25B 1/00; B25B 5/00
See application file for complete search history.

- D869,255 S * 12/2019 Thackery D8/71
- D876,919 S * 3/2020 Sawada D8/72
- D878,179 S * 3/2020 Zhang D8/74
- D884,448 S * 5/2020 Weinberg D8/72
- D887,807 S * 6/2020 Torkilsen D8/74
- 2003/0197319 A1* 10/2003 Ho B25B 5/08
269/246
- 2007/0007704 A1* 1/2007 Hooper B25B 1/103
269/246

* cited by examiner

Primary Examiner — David G Muller

(74) *Attorney, Agent, or Firm* — Waller Lansden Dortch & Davis, LLP; Blake M. Bernard

(57) **CLAIM**

What is claimed is the ornamental design for a “wise with anvil”, as shown and described.

DESCRIPTION

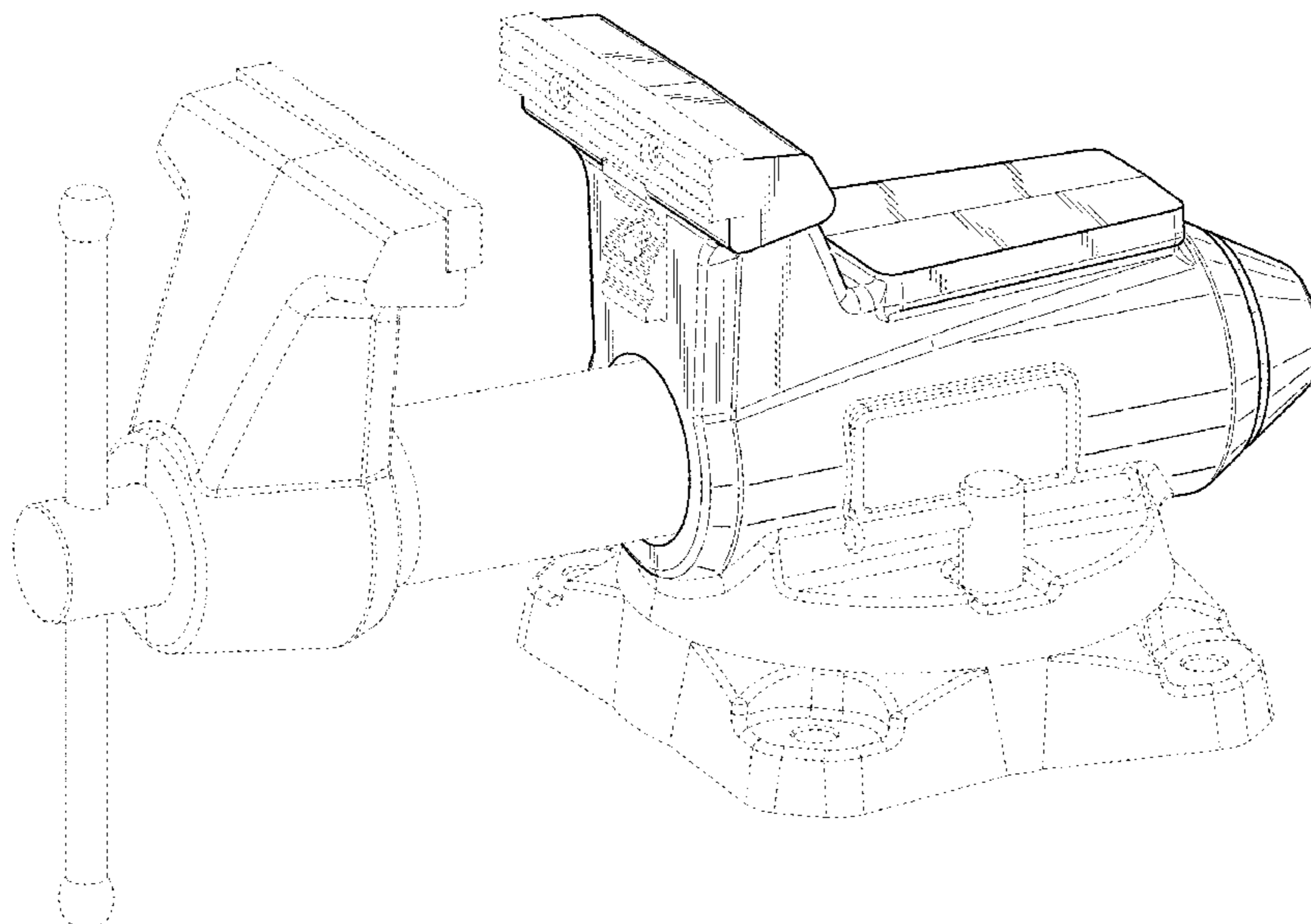
FIG. 1 is a front perspective view of the “wise with anvil” of Applicant’s invention.
 FIG. 2 is a back perspective view of the “wise with anvil” of Applicant’s invention.
 FIG. 3 is a front side elevation view of the “wise with anvil” of Applicant’s invention.
 FIG. 4 is a rear side elevation view of the “wise with anvil” of Applicant’s invention.
 FIG. 5 is a left side elevation view of the “wise with anvil” of Applicant’s invention, which is a mirror of a right side elevation view of the “wise with anvil”.
 FIG. 6 is a top view of the “wise with anvil” of Applicant’s invention; and,
 FIG. 7 is a bottom view of the “wise with anvil” of Applicant’s invention.
 The broken lines in the figures illustrate portions of applicant’s “wise with anvil” that form no part of the claimed design.

1 Claim, 7 Drawing Sheets

(56) **References Cited**

U.S. PATENT DOCUMENTS

- D282,143 S * 1/1986 Tarquinio D8/74
- D333,963 S * 3/1993 Goodman D8/74
- D471,070 S * 3/2003 Howell D8/72
- 7,101,123 B1 * 9/2006 Weinstein B23B 47/287
408/103
- D780,549 S * 3/2017 Zhang D8/74
- D808,238 S * 1/2018 Zhang D8/74



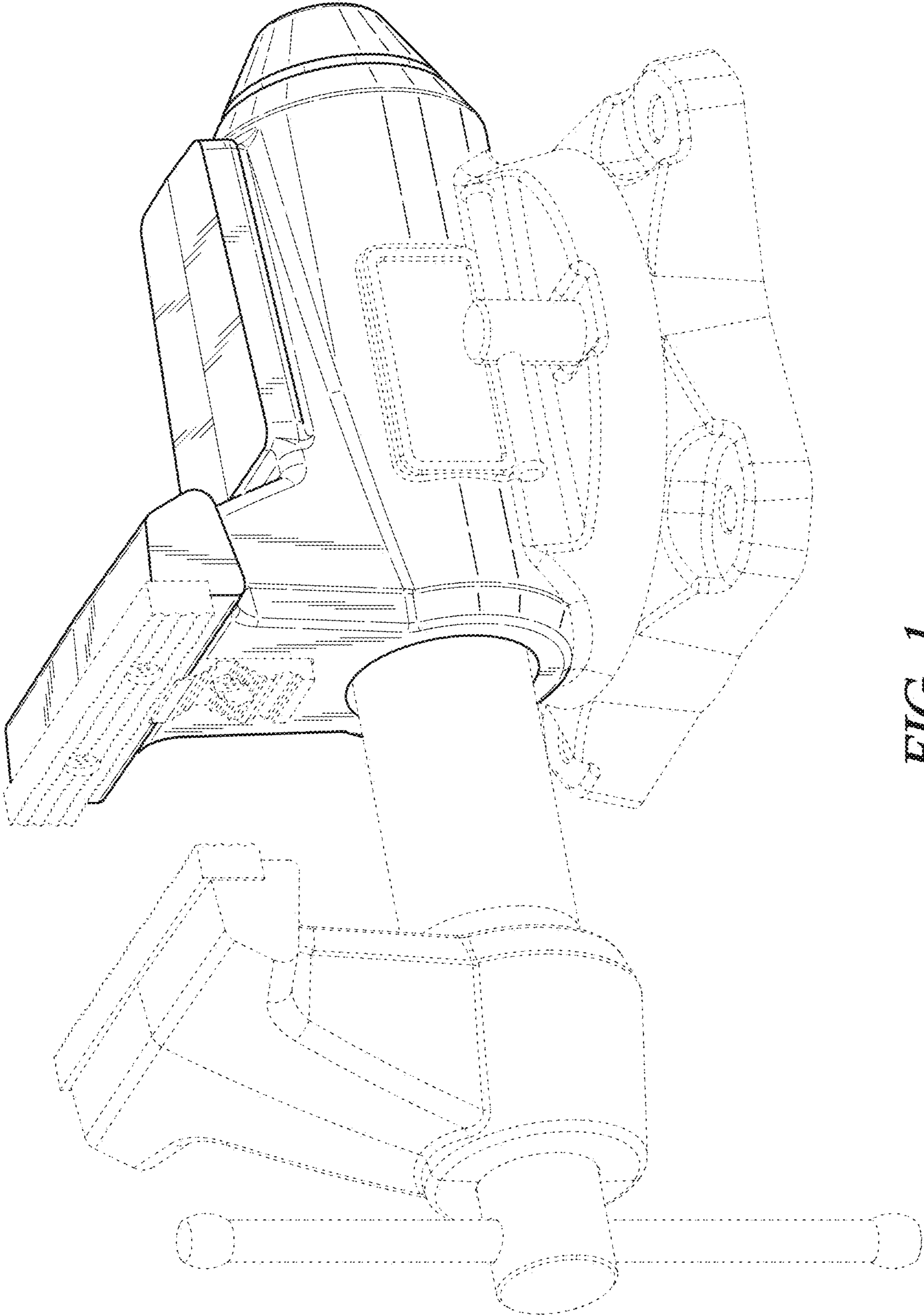


FIG. 1

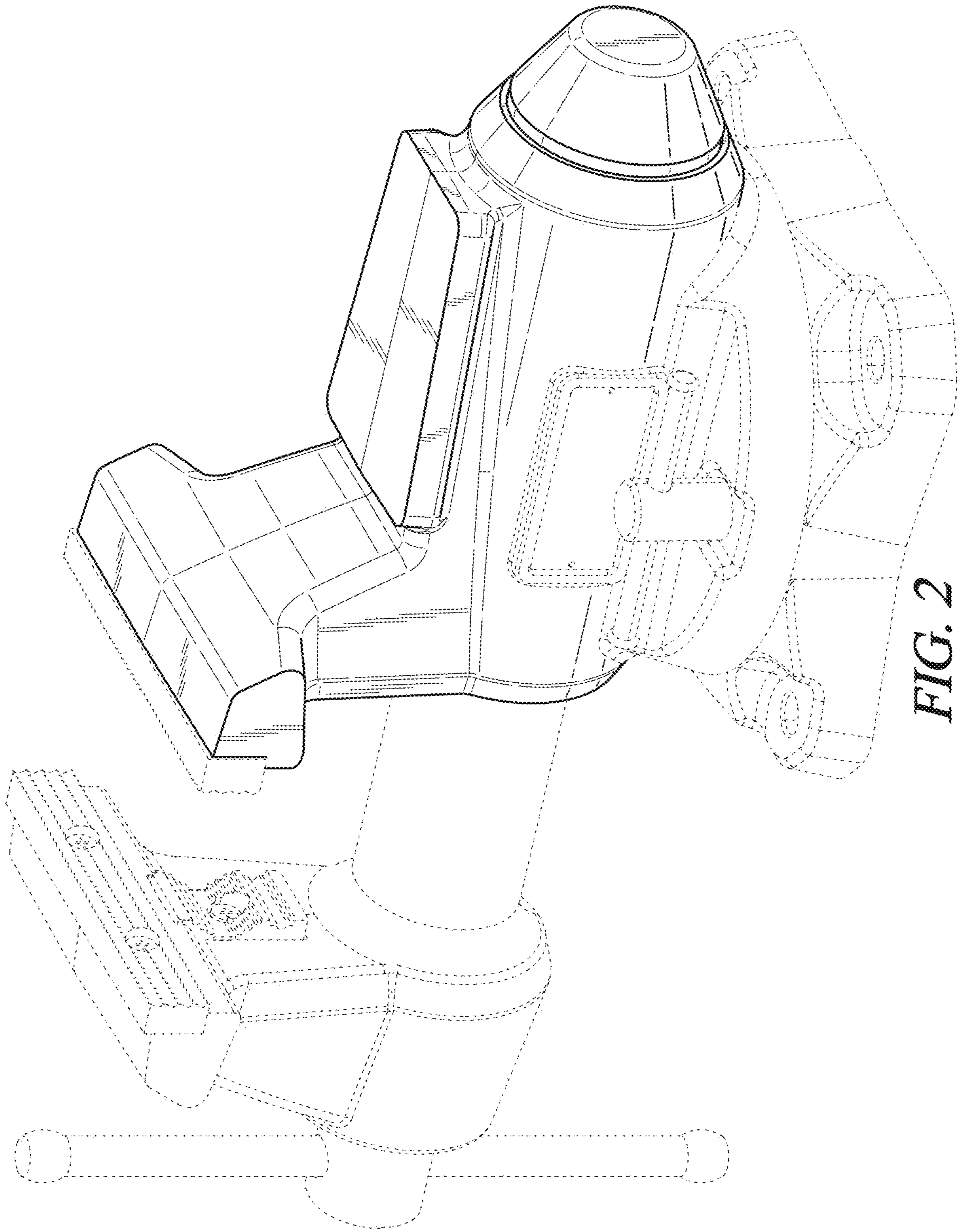


FIG. 2

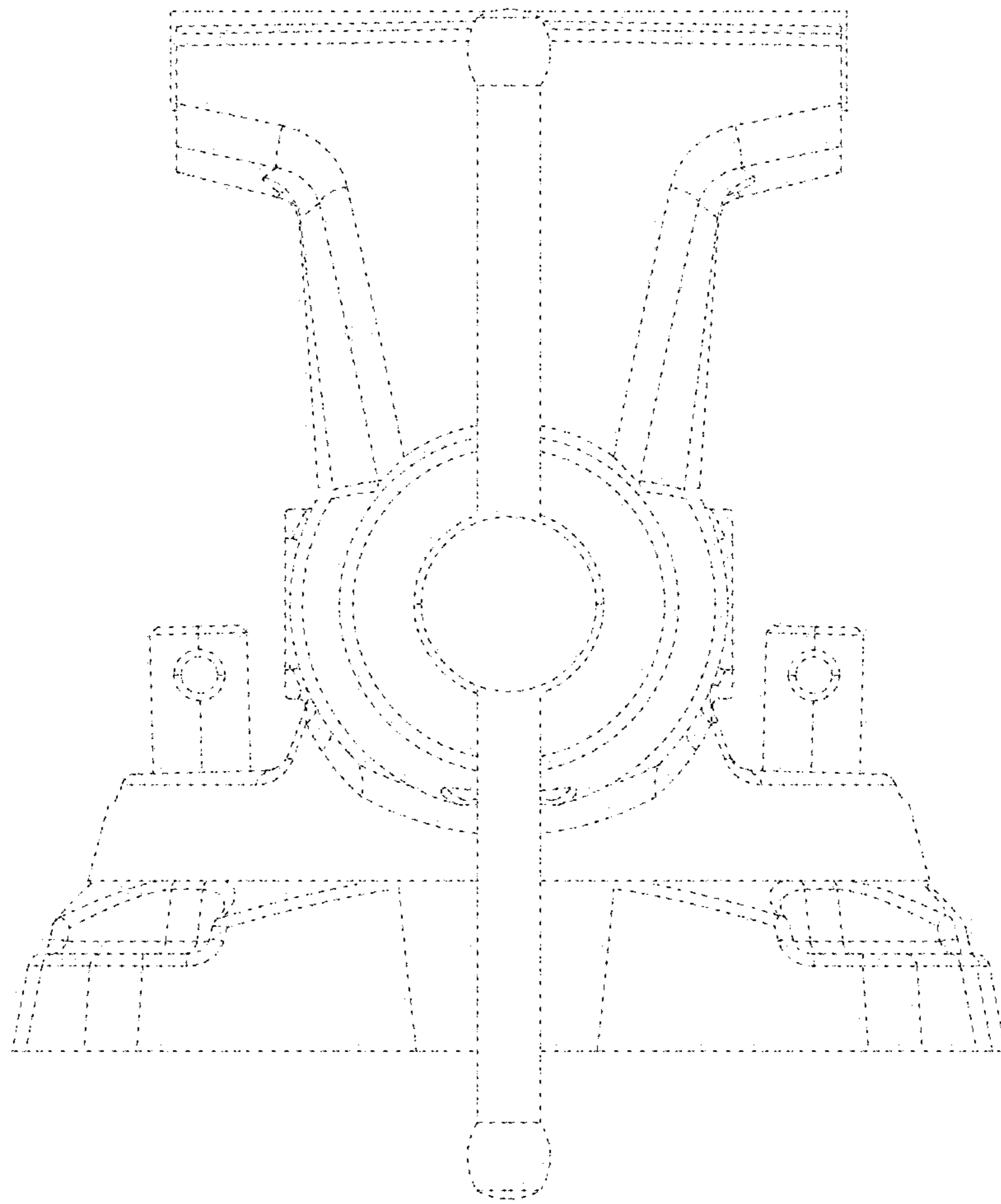


FIG. 3

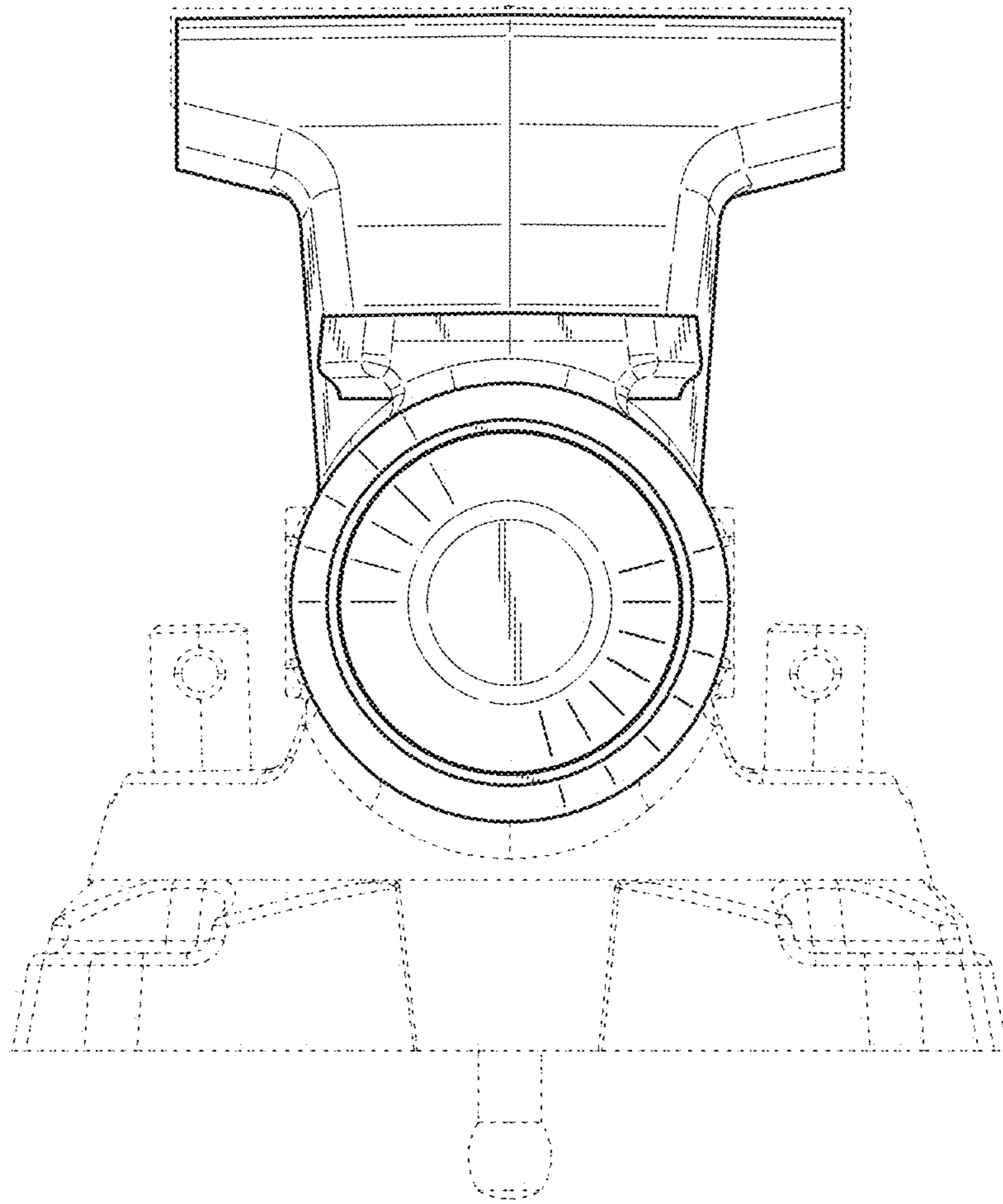


FIG. 4

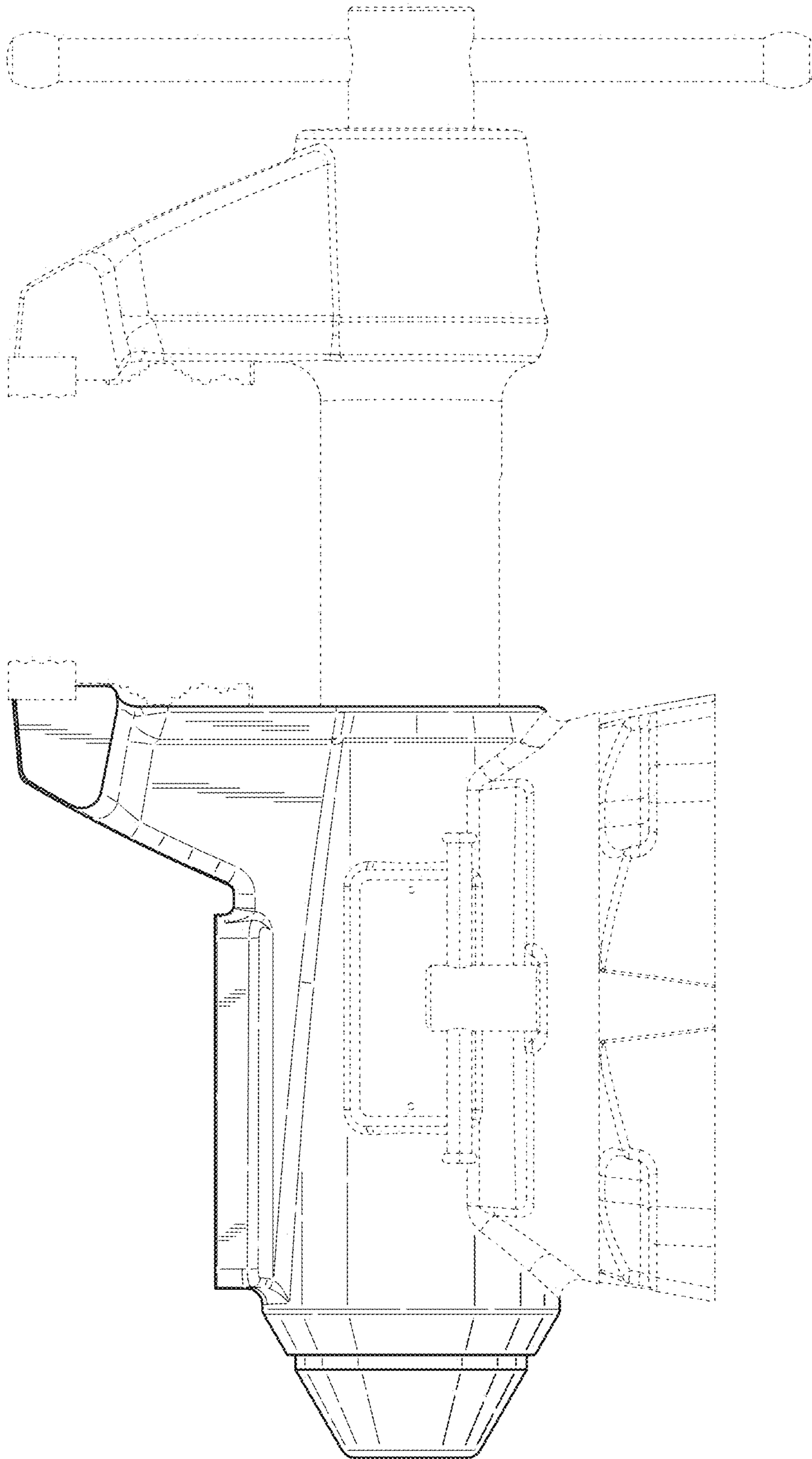


FIG. 5

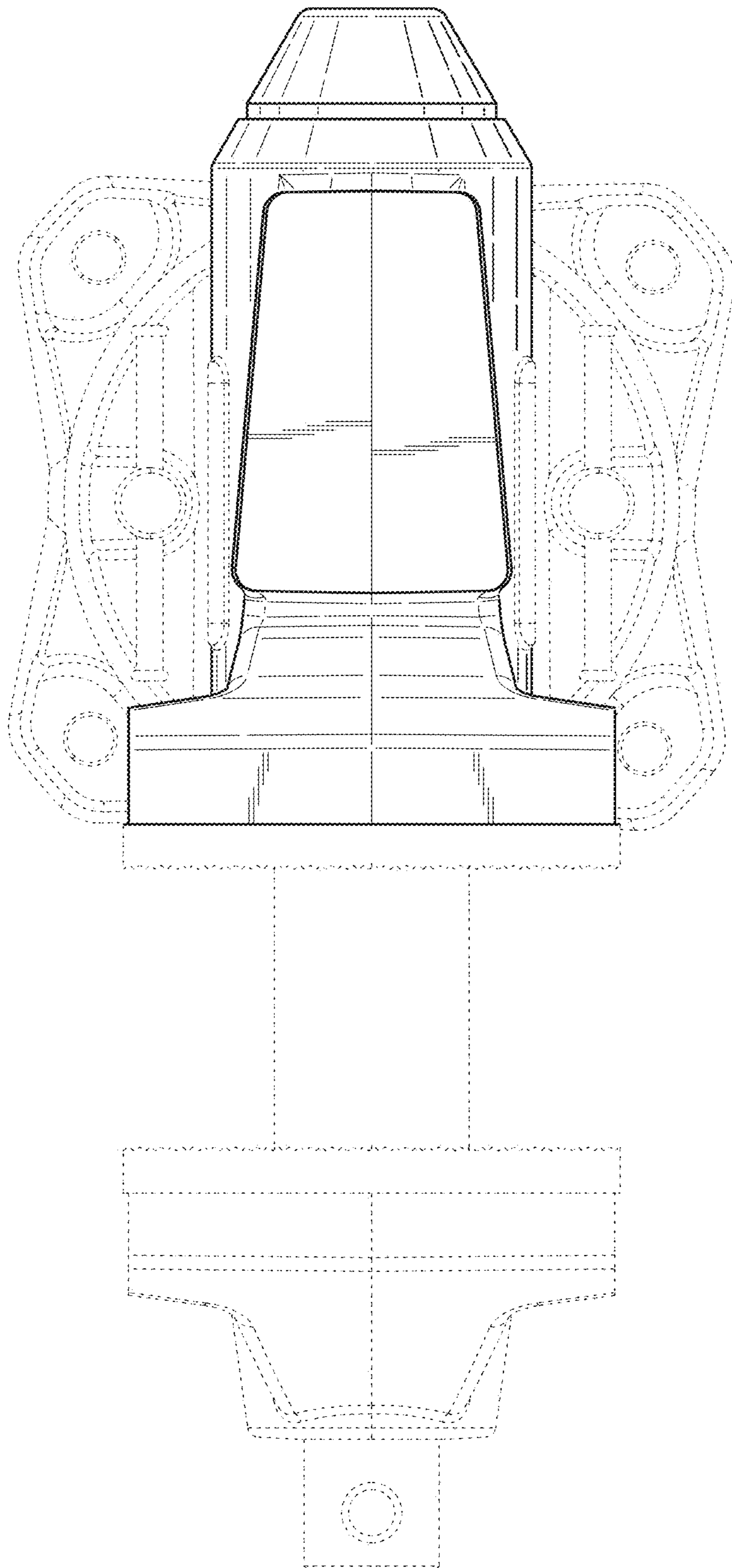


FIG. 6

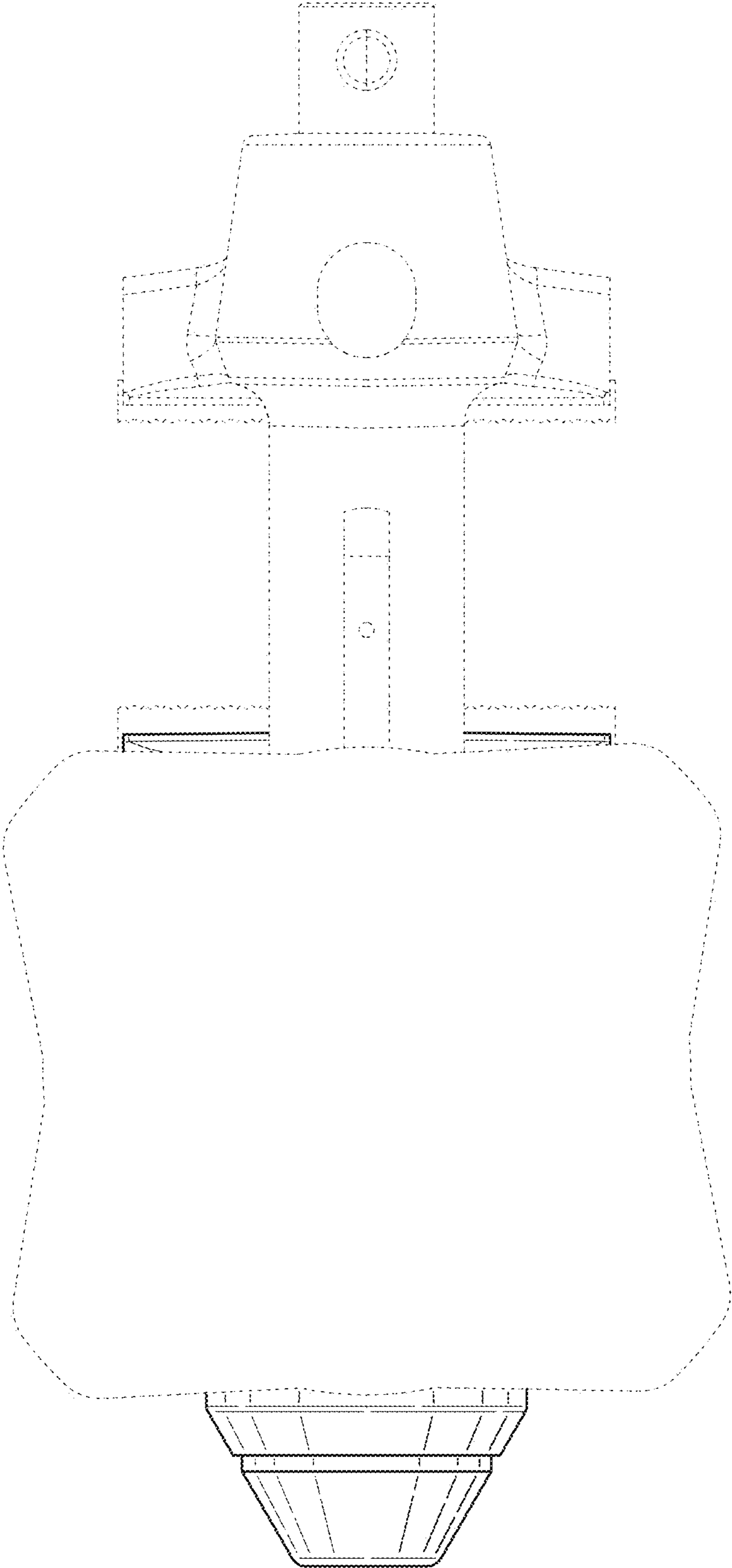


FIG. 7