



US00D905526S

(12) **United States Design Patent** (10) **Patent No.:** **US D905,526 S**
Gangakhedkar et al. (45) **Date of Patent:** **** Dec. 22, 2020**

(54) **ANCHOR POINT CLAMP**
(71) Applicant: **HORIZON GLOBAL AMERICAS INC.**, Plymouth, MI (US)
(72) Inventors: **Dhananjay Gangakhedkar**, Twinsburg, OH (US); **Matthew Romanak**, Garfield Heights, OH (US); **Curt Geideman**, Strongsville, OH (US)
(73) Assignee: **HORIZON GLOBAL AMERICAS INC.**, Plymouth, MI (US)

D391,150 S * 2/1998 Anderson D8/394
D393,998 S * 5/1998 Anderson D8/394
D421,214 S * 2/2000 Koros D8/394
6,039,520 A 3/2000 Cheng
D435,771 S * 1/2001 Miller D8/72
D443,493 S * 6/2001 Skeem D8/72
D454,479 S * 3/2002 Kolpin D8/349
D484,399 S * 12/2003 Arthur D8/394
D516,891 S * 3/2006 Thomas D8/70
7,080,966 B2 7/2006 Roh

(Continued)

FOREIGN PATENT DOCUMENTS

(**) Term: **15 Years**

CA 145306 4/2013
CA 149424 4/2013

(21) Appl. No.: **29/661,571**

OTHER PUBLICATIONS

(22) Filed: **Aug. 29, 2018**

The Hooker—A Universal Truck Bed Hook, <http://thehooker.biz/>, p. 1; Feb. 25, 2010.

Related U.S. Application Data

(62) Division of application No. 29/486,870, filed on Apr. 3, 2014, now Pat. No. Des. 832,671, which is a division of application No. 29/404,041, filed on Oct. 14, 2011, now Pat. No. Des. 705,029.

Primary Examiner — David G Muller

(74) *Attorney, Agent, or Firm* — McDonald Hopkins LLC

(51) **LOC (12) Cl.** **08-05**
(52) **U.S. Cl.**
USPC **D8/72**

(57) **CLAIM**

The ornamental design of an anchor point clamp, as shown and described.

(58) **Field of Classification Search**
USPC D8/71–74, 394, 59; 248/62, 63, 72, 74.1, 248/689, 124.2; 81/487; 269/3, 4, 6, 269/143, 165, 240, 243, 246–249, 254 R, 269/147–149; 29/256, 257, 276; D15/140; 408/103, 104–109; D6/400
CPC B25B 1/00; B25B 5/00
See application file for complete search history.

DESCRIPTION

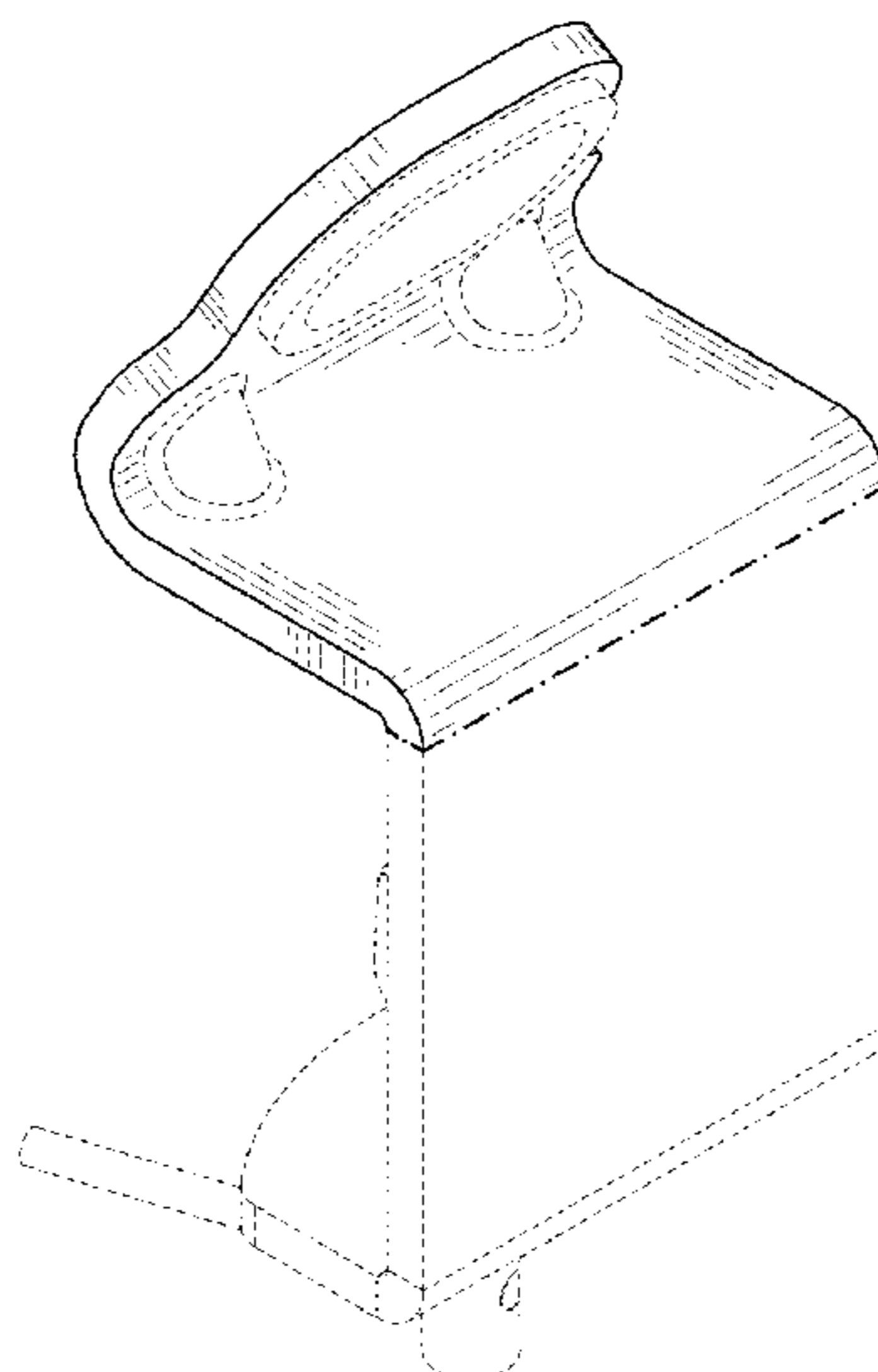
FIG. 1 is a rear perspective view of an anchor point clamp showing our new design;
FIG. 2 is a front perspective view thereof;
FIG. 3 is a rear elevation view thereof;
FIG. 4 is a front elevation view thereof;
FIG. 5 is a first side elevation view thereof;
FIG. 6 is a second side elevation view thereof;
FIG. 7 is a top plan view thereof; and,
FIG. 8 is a bottom plan view thereof.
The features shown in broken lines in the drawing figures depict environmental subject matter only and form no part of the claimed design.

(56) **References Cited**

U.S. PATENT DOCUMENTS

D332,562 S * 1/1993 Fremont D8/73
D337,934 S * 8/1993 Young D8/355
D340,018 S * 10/1993 Yoder D12/223

1 Claim, 3 Drawing Sheets



(56)

References Cited

U.S. PATENT DOCUMENTS

D568,135 S *	5/2008	Pribyl	D8/73
D651,884 S *	1/2012	Jansson	B24B 3/36 D8/71
D668,522 S	10/2012	Henderson	
D672,226 S	12/2012	Wall et al.	
D701,795 S	4/2014	Brown et al.	
D705,029 S	5/2014	Gangakhedkar et al.	
D719,000 S	12/2014	Palmer	
D727,216 S	4/2015	Brown et al.	
D727,217 S	4/2015	Brown et al.	
D727,716 S	4/2015	Langle	
D730,708 S	6/2015	Spector et al.	
D733,267 S	6/2015	McCarter	
D735,017 S	7/2015	Langle	
D739,710 S	9/2015	Bukovitz et al.	
D742,719 S	11/2015	Komura et al.	
D743,244 S	11/2015	Anderson	

* cited by examiner

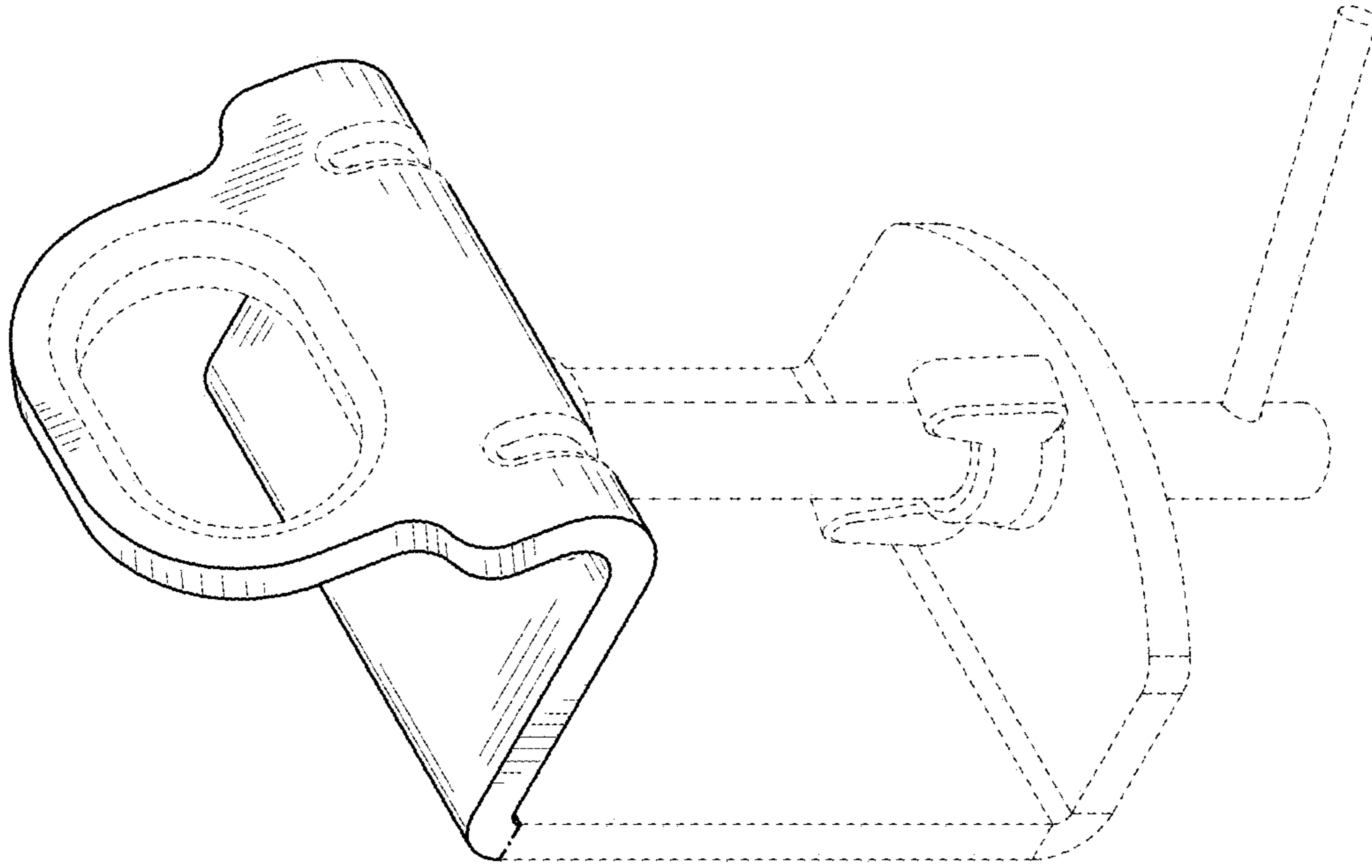


Fig. 2

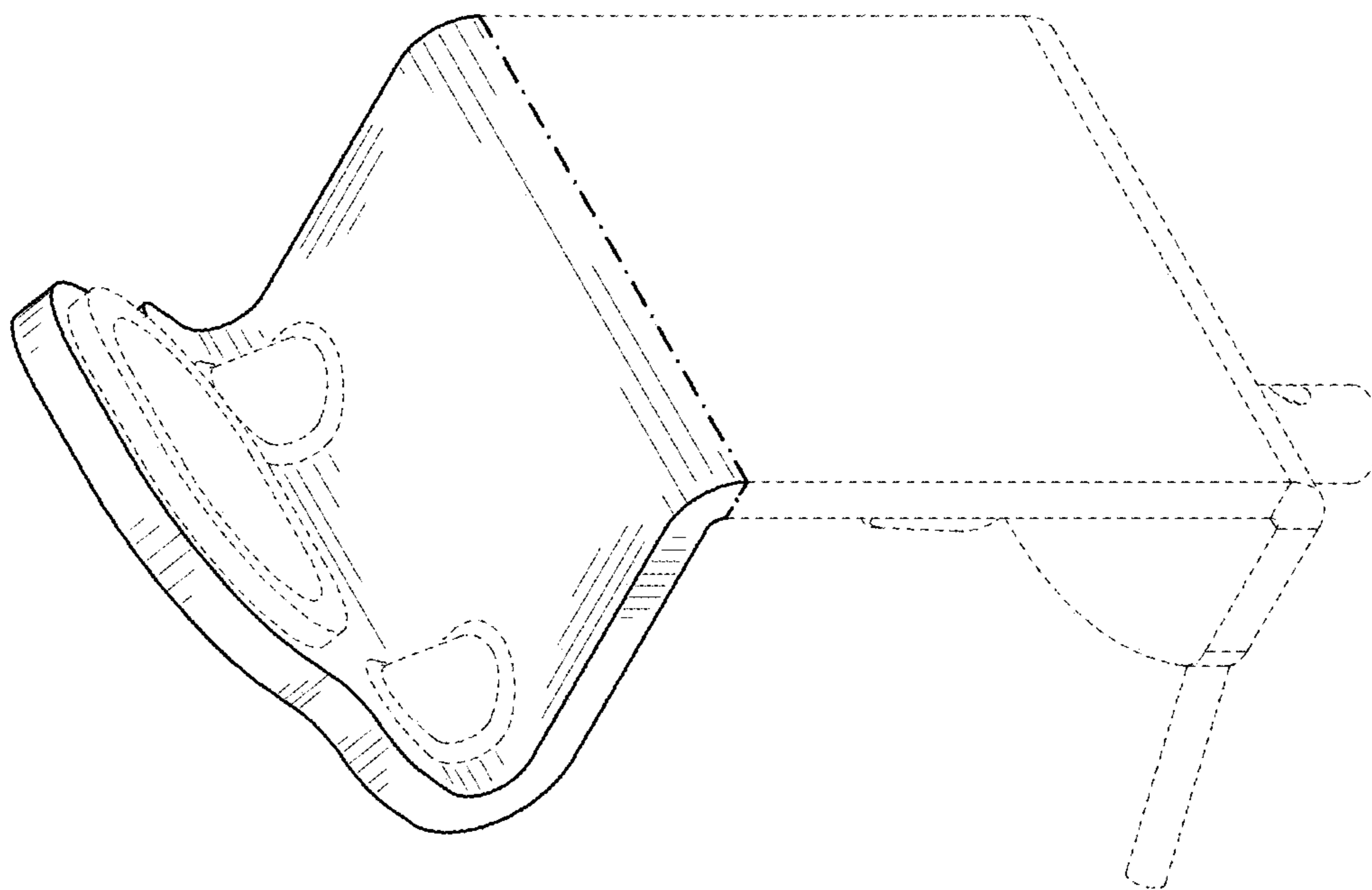


Fig. 1

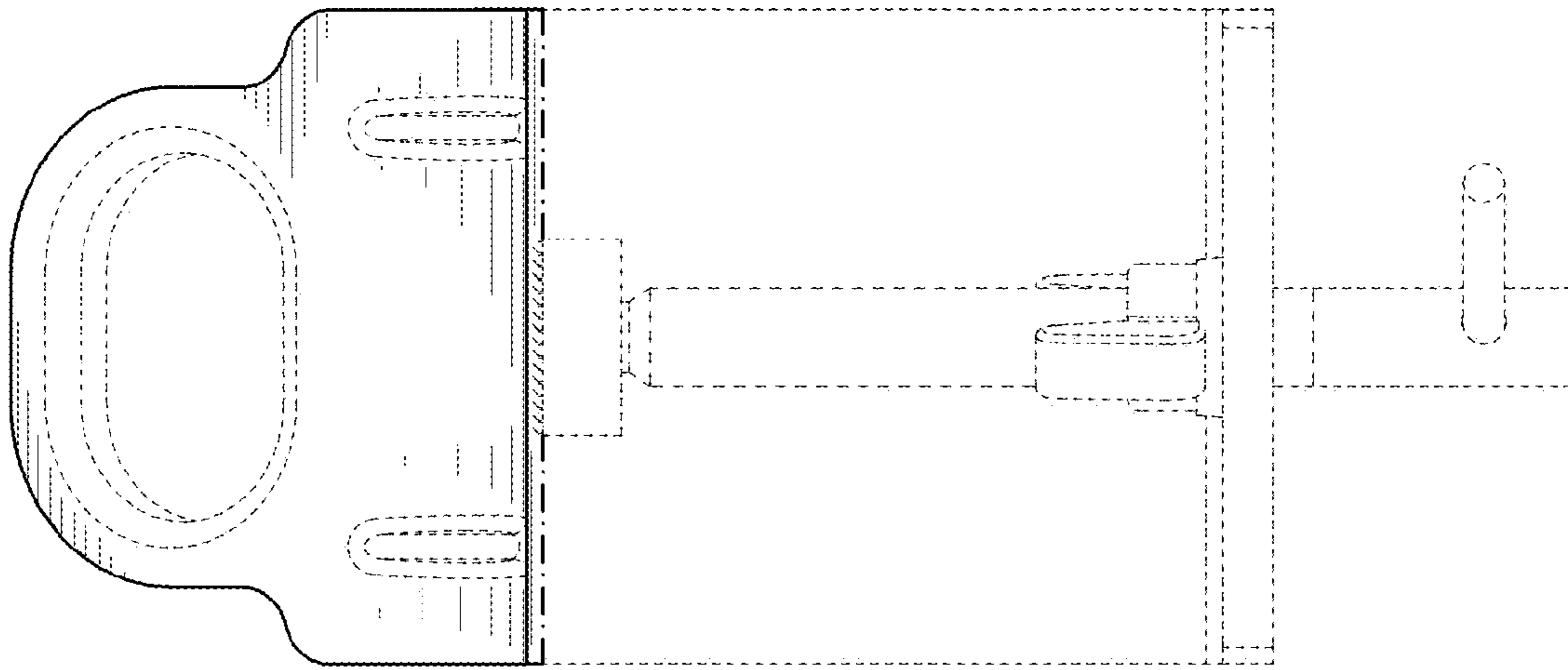


Fig. 3

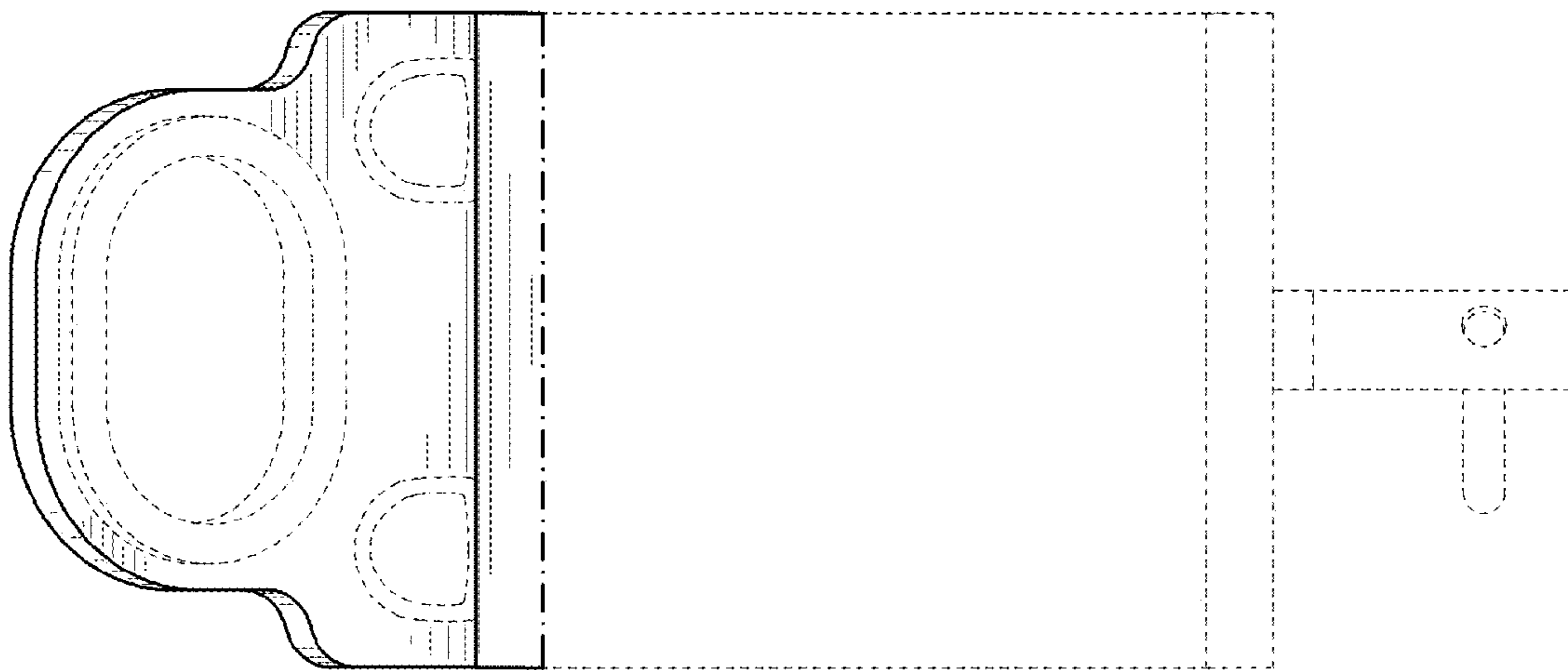


Fig. 4

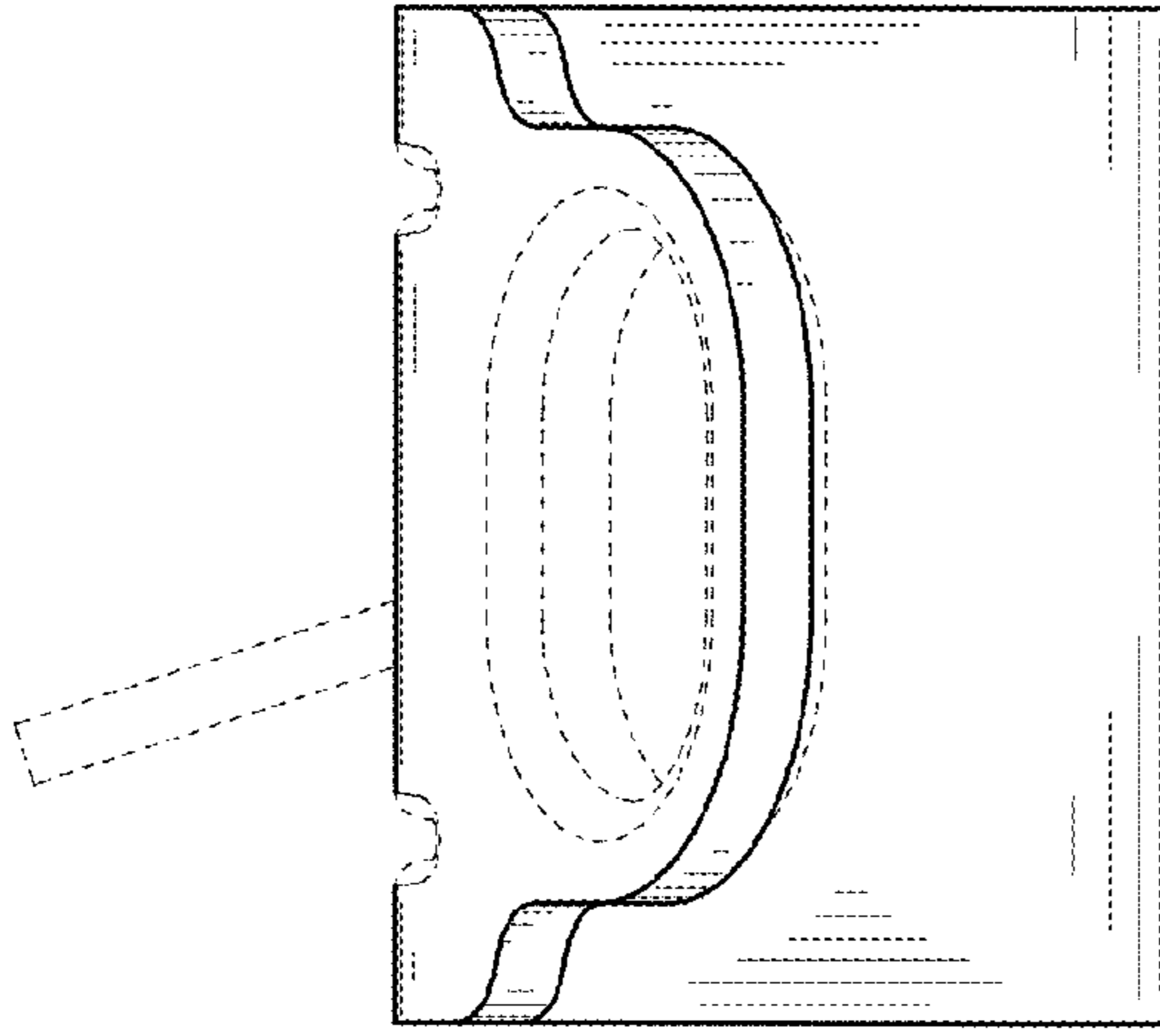


Fig. 7

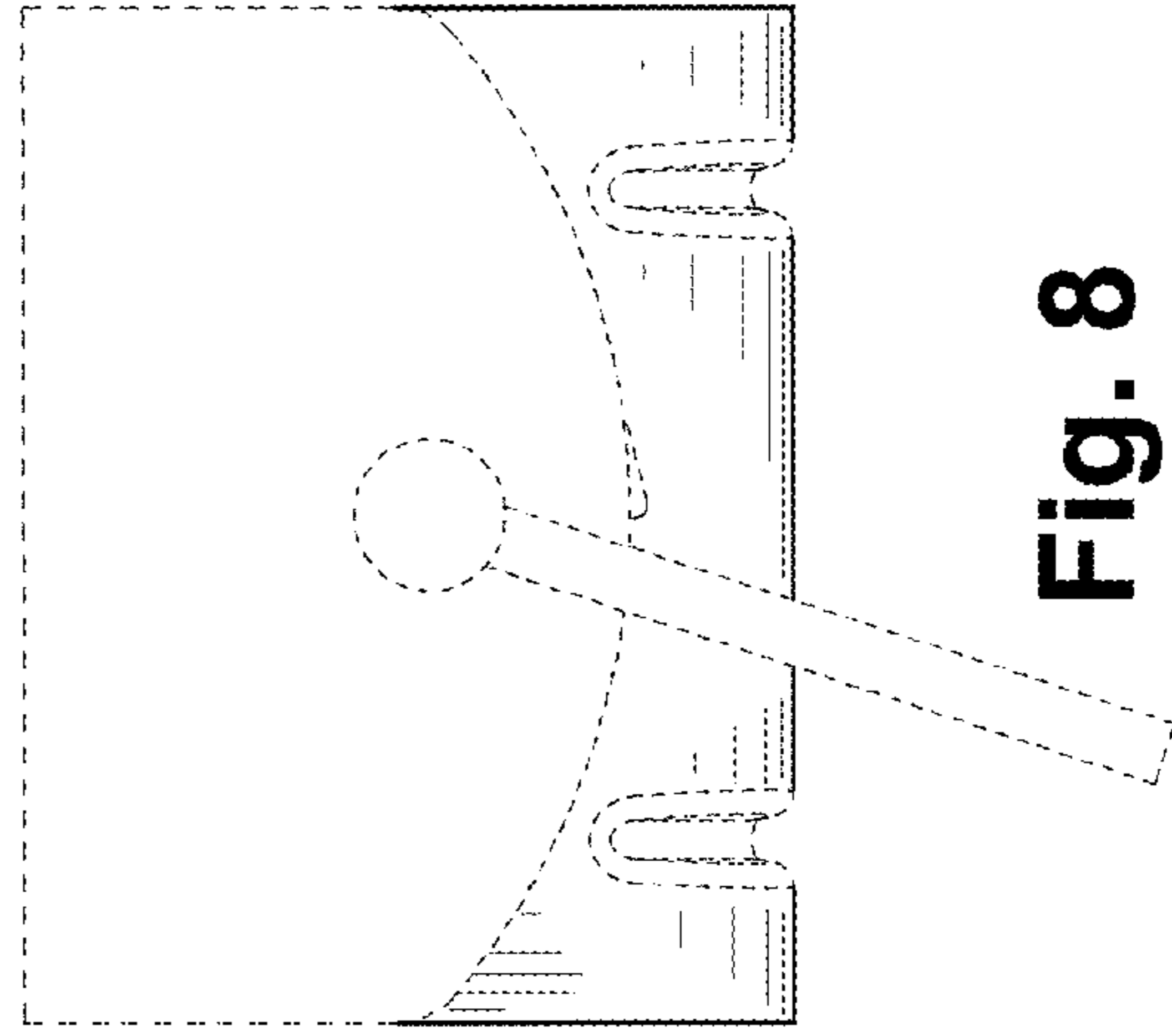


Fig. 8

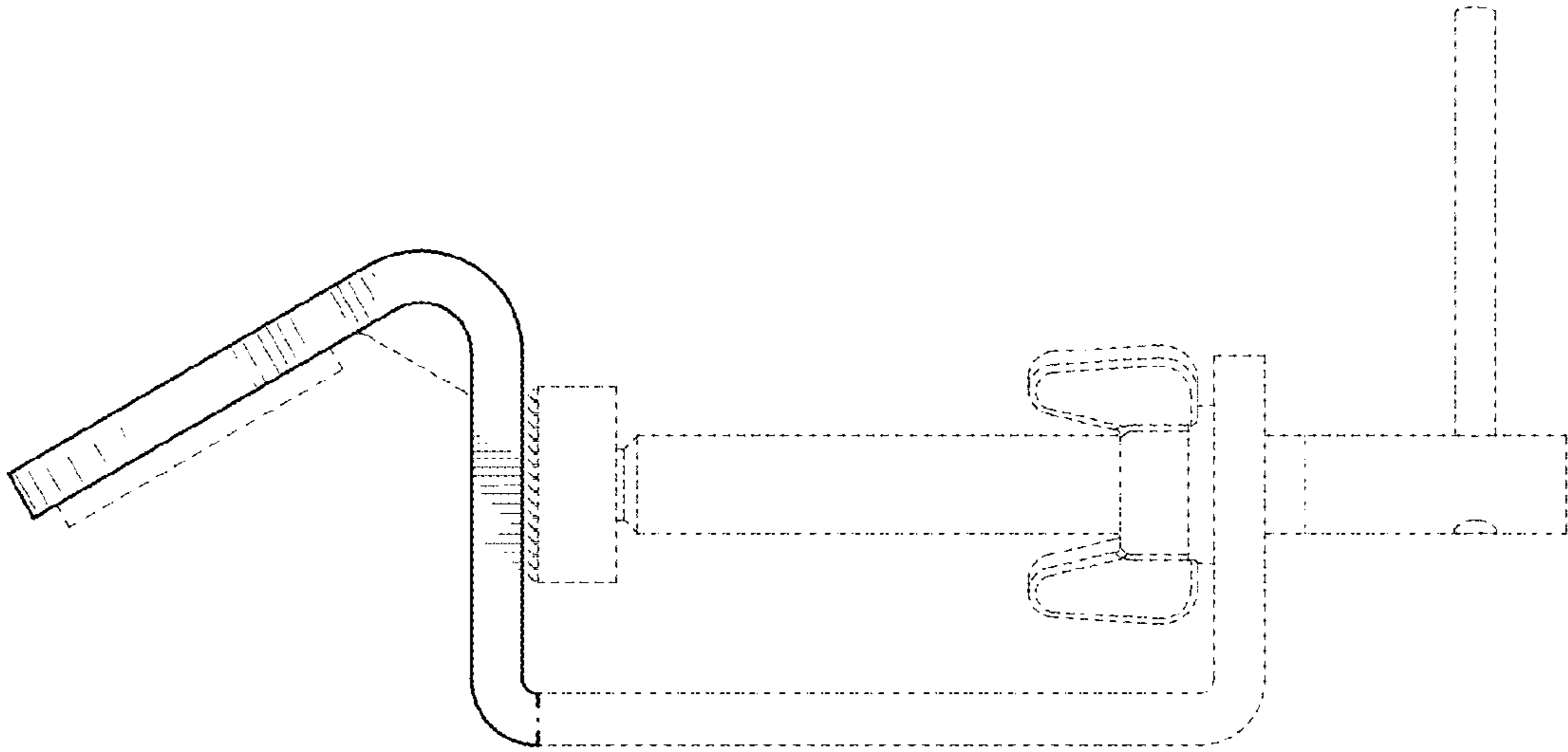


Fig. 6

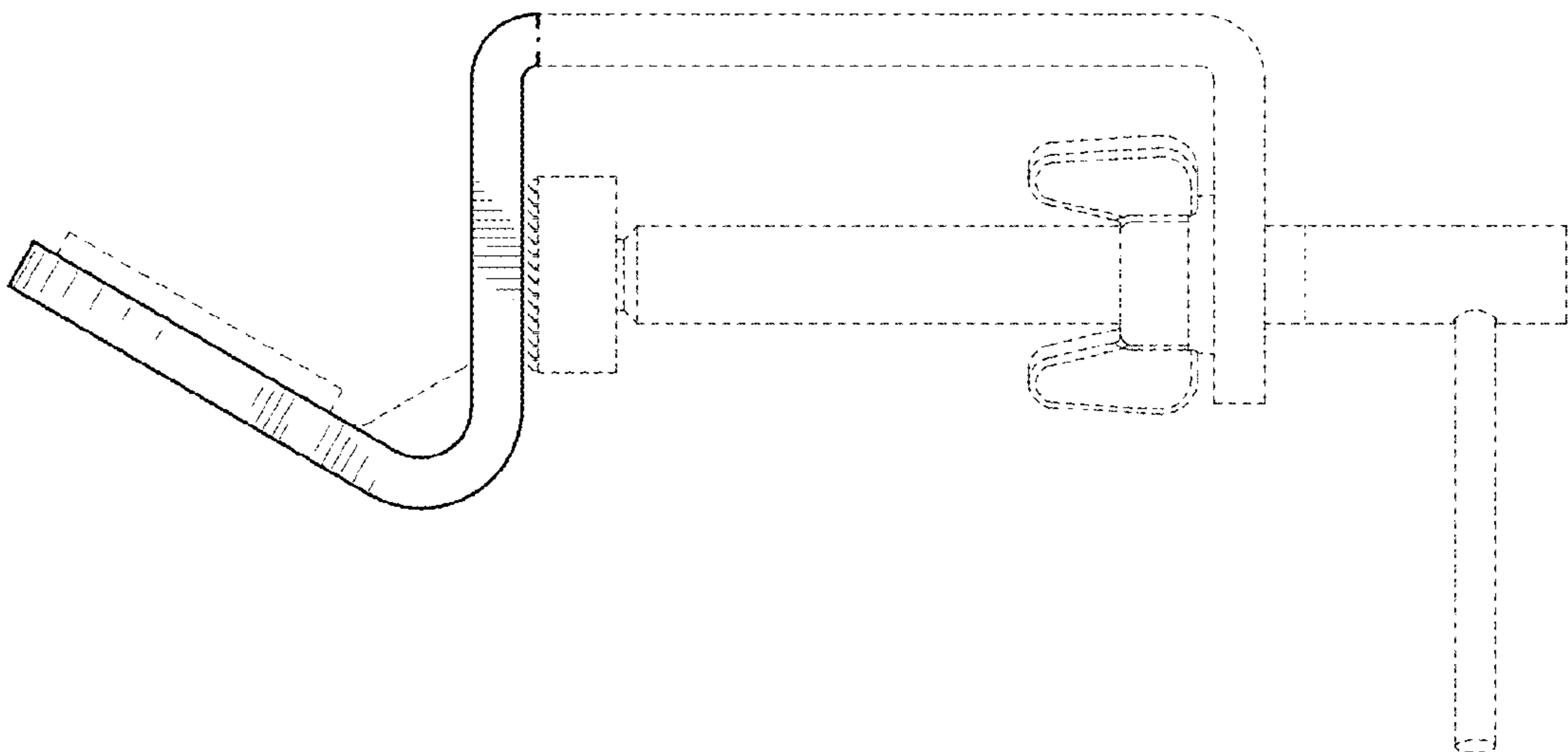


Fig. 5