



US00D905523S

(12) **United States Design Patent**  
**McDonald**

(10) **Patent No.:** **US D905,523 S**

(45) **Date of Patent:** **\*\* Dec. 22, 2020**

(54) **BOTTLE OPENER**

(71) Applicant: **Michael James McDonald**, Centerport, NY (US)

(72) Inventor: **Michael James McDonald**, Centerport, NY (US)

(73) Assignee: **Michael J. McDonald**, Centerport, NY (US)

(\*\*) Term: **15 Years**

(21) Appl. No.: **29/687,207**

(22) Filed: **Apr. 11, 2019**

(51) **LOC (12) Cl.** ..... **07-99**

(52) **U.S. Cl.**  
USPC ..... **D8/38**

(58) **Field of Classification Search**  
USPC ..... D8/18, 33-43, 88, 89  
CPC .... B67B 7/00; B67B 7/02; B67B 7/12; B67B 7/14; B67B 7/16; B67B 7/162; B67B 7/18; B67B 7/20; B67B 7/40; B67B 7/44  
See application file for complete search history.

D420,670 S *	2/2000	Hernandez	.....	D14/230
D434,607 S *	12/2000	Hansen	.....	D7/606
D441,750 S *	5/2001	Higa	.....	D14/403
D441,904 S *	5/2001	Westphal	.....	D26/94
6,314,586 B1 *	11/2001	Duguid	.....	A42B 3/069
				2/411
D460,441 S *	7/2002	Neil	.....	D14/232
6,438,762 B1 *	8/2002	Jenkins	.....	A42B 3/10
				2/267
6,530,092 B2 *	3/2003	Pope	.....	A42B 3/122
				2/413
D477,270 S *	7/2003	Bowers	.....	D11/157
D483,375 S *	12/2003	Denney	.....	D14/440
D501,343 S *	2/2005	Miesieski	.....	D6/515
D507,181 S *	7/2005	Malik	.....	D9/451
D524,127 S *	7/2006	Lee	.....	D29/107
D526,450 S *	8/2006	Taylor	.....	D30/111
D546,998 S *	7/2007	Nunes	.....	D26/73
D551,376 S *	9/2007	Nunes	.....	D26/62
D563,825 S *	3/2008	Cash	.....	D11/157
D571,709 S *	6/2008	Parsons	.....	D12/401
D585,327 S *	1/2009	Jenkins	.....	D11/157

(Continued)

*Primary Examiner* — Elizabeth A. Albert

(57) **CLAIM**

The ornamental design for a bottle opener, as shown and described.

**DESCRIPTION**

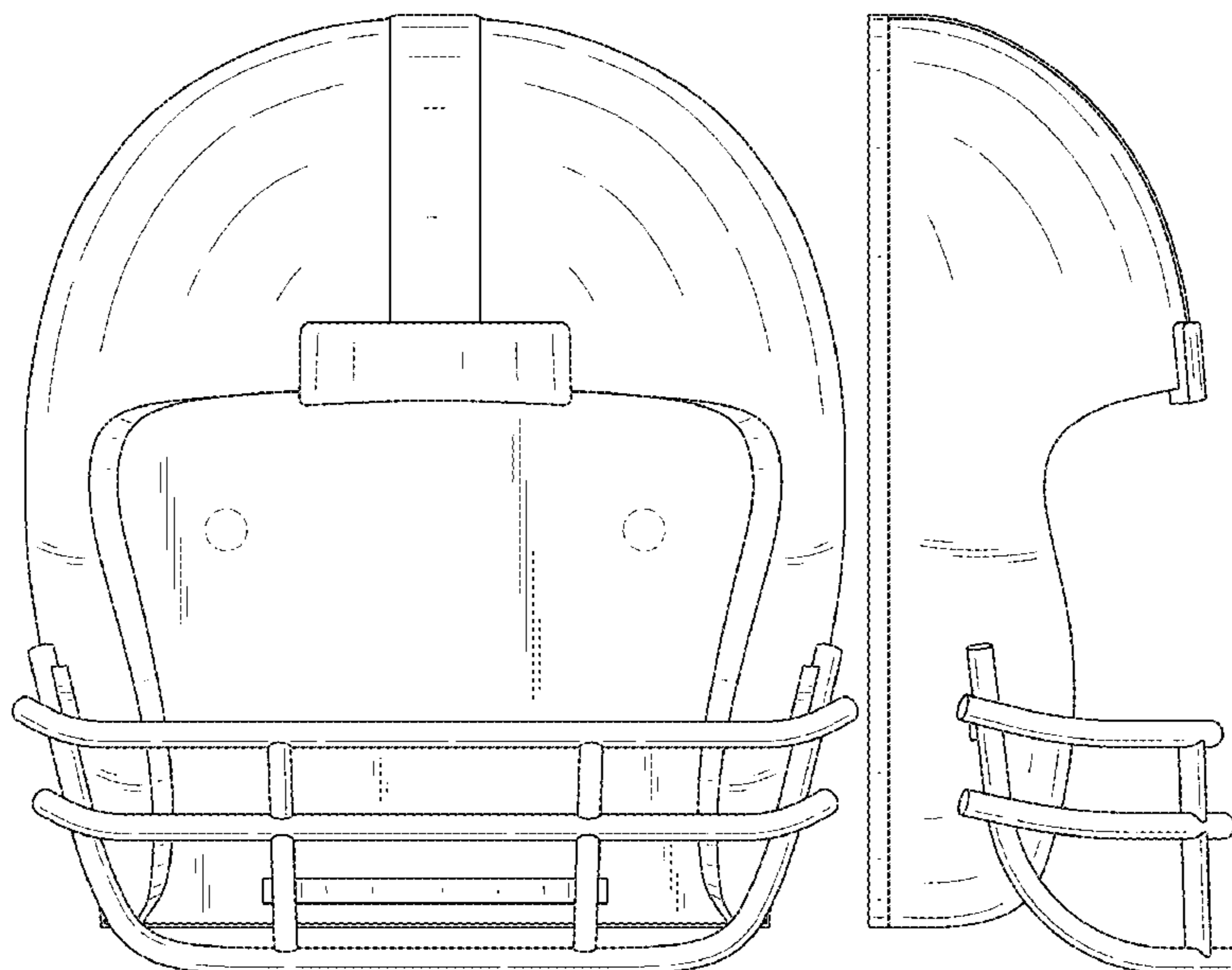
FIG. 1 is a front perspective view of the bottle opener showing my new design;  
FIG. 2 is a front elevation view thereof;  
FIG. 3 is a rear elevation view thereof;  
FIG. 4 is a left side elevation view thereof, the right side elevation view being a mirror image thereof;  
FIG. 5 is a top plan view thereof; and,  
FIG. 6 is a bottom plan view thereof.  
The broken lines in the drawings are included to show features that form no part of the claimed design.

**1 Claim, 5 Drawing Sheets**

(56) **References Cited**

**U.S. PATENT DOCUMENTS**

4,390,995 A *	7/1983	Walck	.....	A42B 3/20
				2/9
D311,594 S *	10/1990	Medina	.....	D26/47
D344,659 S *	3/1994	Hsu	.....	D7/514
D349,630 S *	8/1994	Redmon	.....	D7/606
D369,154 S *	4/1996	Powell	.....	D14/403
D375,810 S *	11/1996	Ham	.....	D26/125
D379,023 S *	4/1997	August	.....	D99/37
D379,149 S *	5/1997	Powell	.....	D9/447
D383,953 S *	9/1997	DeFilippo	.....	D2/869
D386,161 S *	11/1997	Young	.....	D14/403
D395,452 S *	6/1998	August	.....	D20/3
D408,236 S *	4/1999	Rennick	.....	D29/106



(56)

**References Cited**

## U.S. PATENT DOCUMENTS

D598,610	S *	8/2009	Soukup .....	D29/106
D610,523	S *	2/2010	Villarreal .....	D12/413
D612,661	S *	3/2010	Kauer .....	D7/325
D616,670	S *	6/2010	Lau .....	D6/674
D624,722	S *	9/2010	Wilkerson .....	D34/4
D642,071	S *	7/2011	Young .....	D10/6
D663,575	S *	7/2012	Carroll .....	D7/392.1
D682,941	S *	5/2013	Nash .....	D19/69
D686,107	S *	7/2013	Dunn .....	D11/184
D689,981	S *	9/2013	Bollerod .....	D23/213
D690,804	S *	10/2013	Bisla .....	D23/370
8,701,907	B1 *	4/2014	Mallicoat .....	B65D 51/245 215/228
8,717,129	B1 *	5/2014	Cash .....	H01F 7/0236 335/306
D706,491	S *	6/2014	Bratton .....	D30/112
D718,002	S *	11/2014	Littrell, Jr. ....	D29/106
D720,172	S *	12/2014	Giraldez .....	D7/300.1
D721,834	S *	1/2015	Nguyen .....	D26/7
D730,316	S *	5/2015	Burchfield .....	D14/207
D758,644	S *	6/2016	Deluca .....	D26/125
D775,895	S *	1/2017	Mayberry .....	D7/517
D814,472	S *	4/2018	Lee .....	D14/434
D834,417	S *	11/2018	Luther .....	D9/451
D841,514	S *	2/2019	Arazi .....	D11/81
2009/0106883	A1 *	4/2009	Wade .....	A42B 3/20 2/424

\* cited by examiner

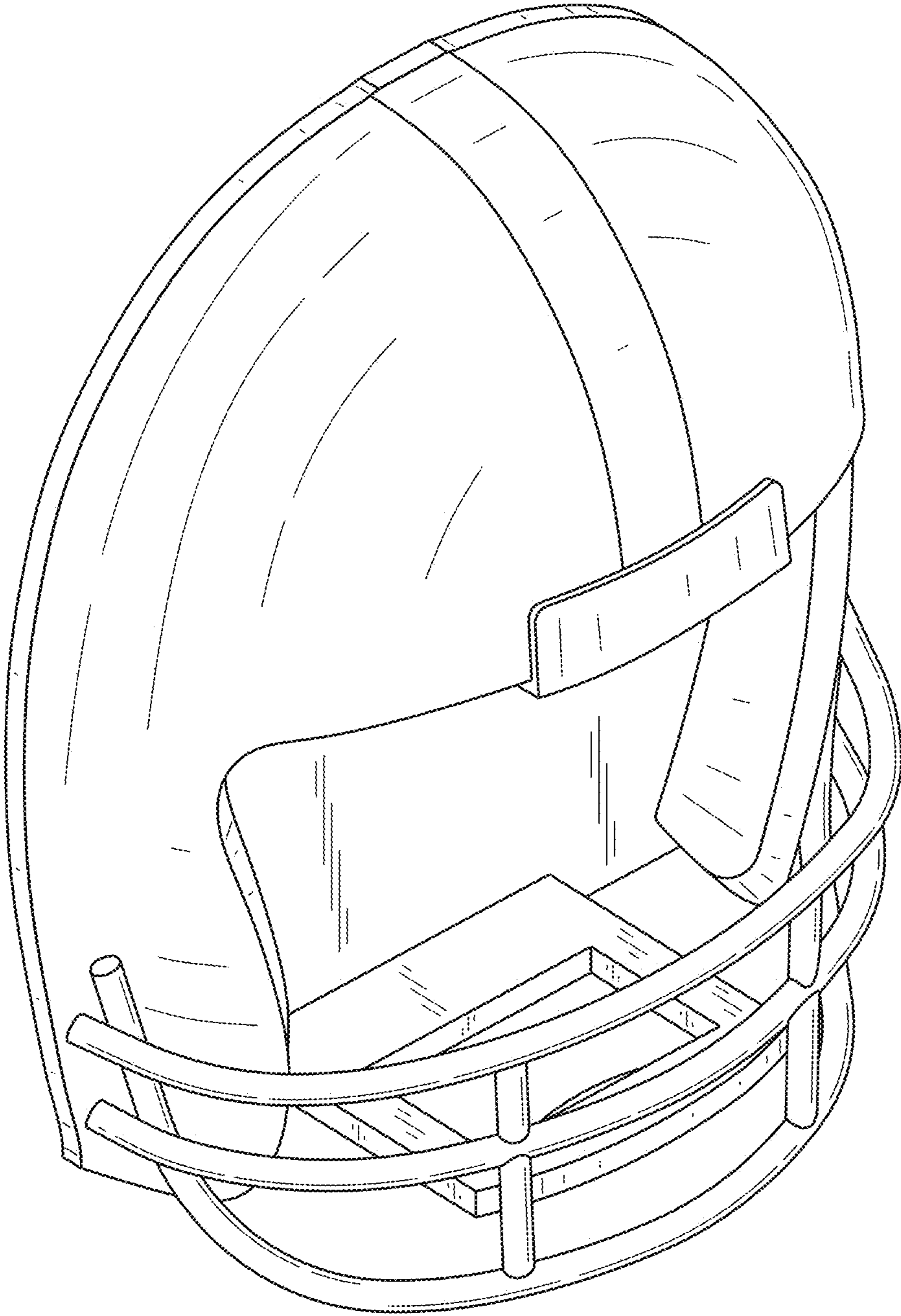


FIG. 1

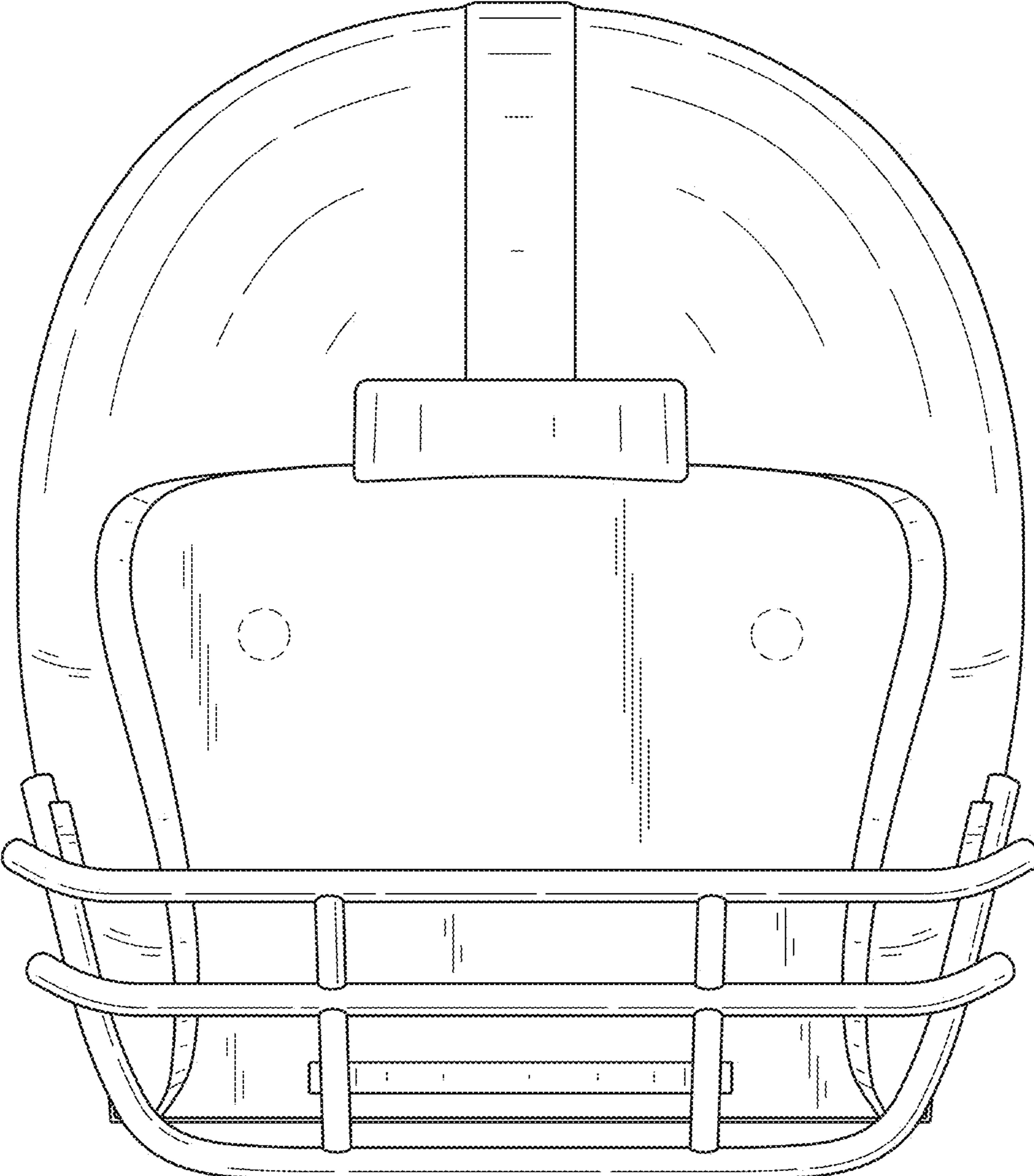


FIG. 2



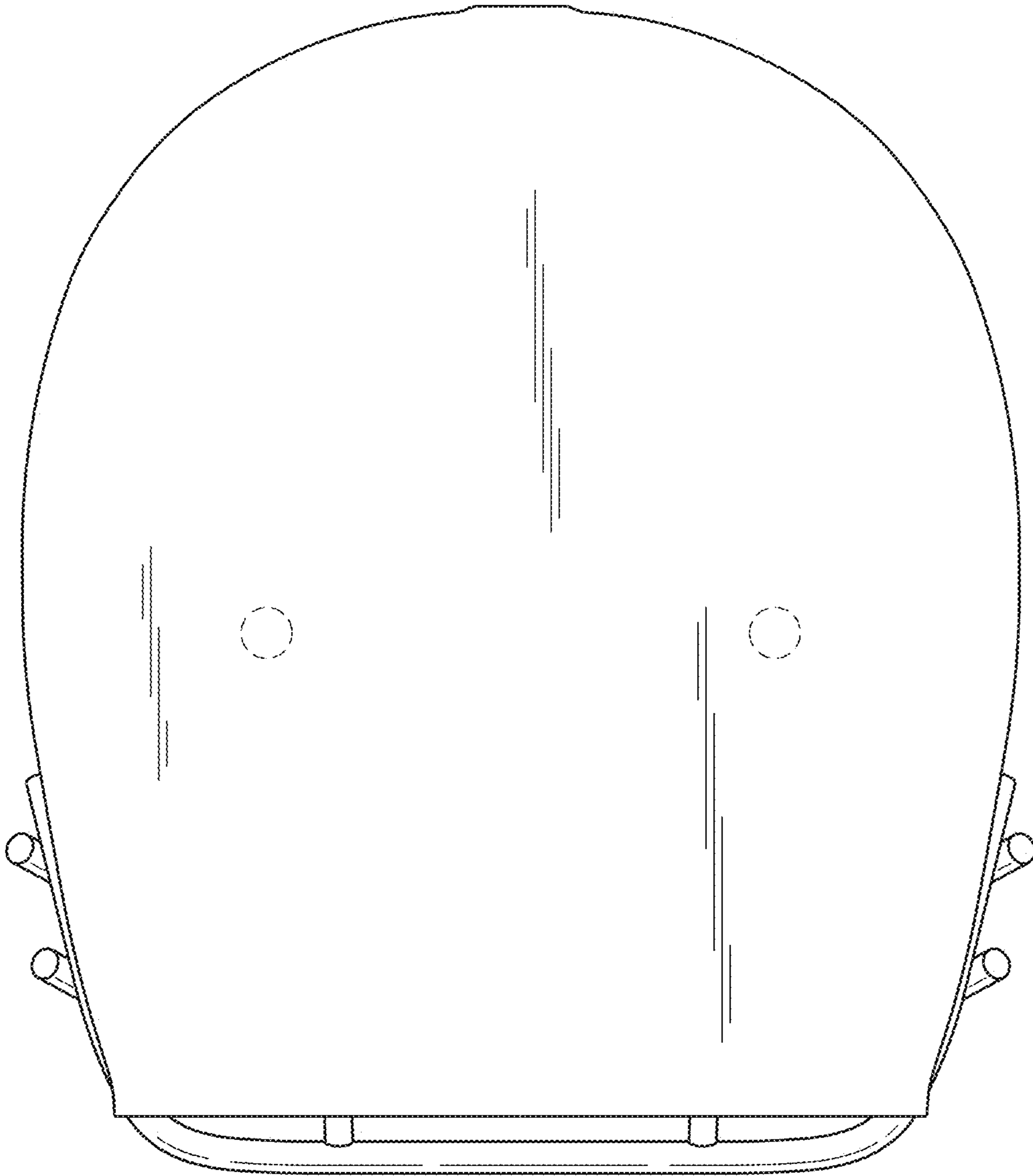


FIG. 3

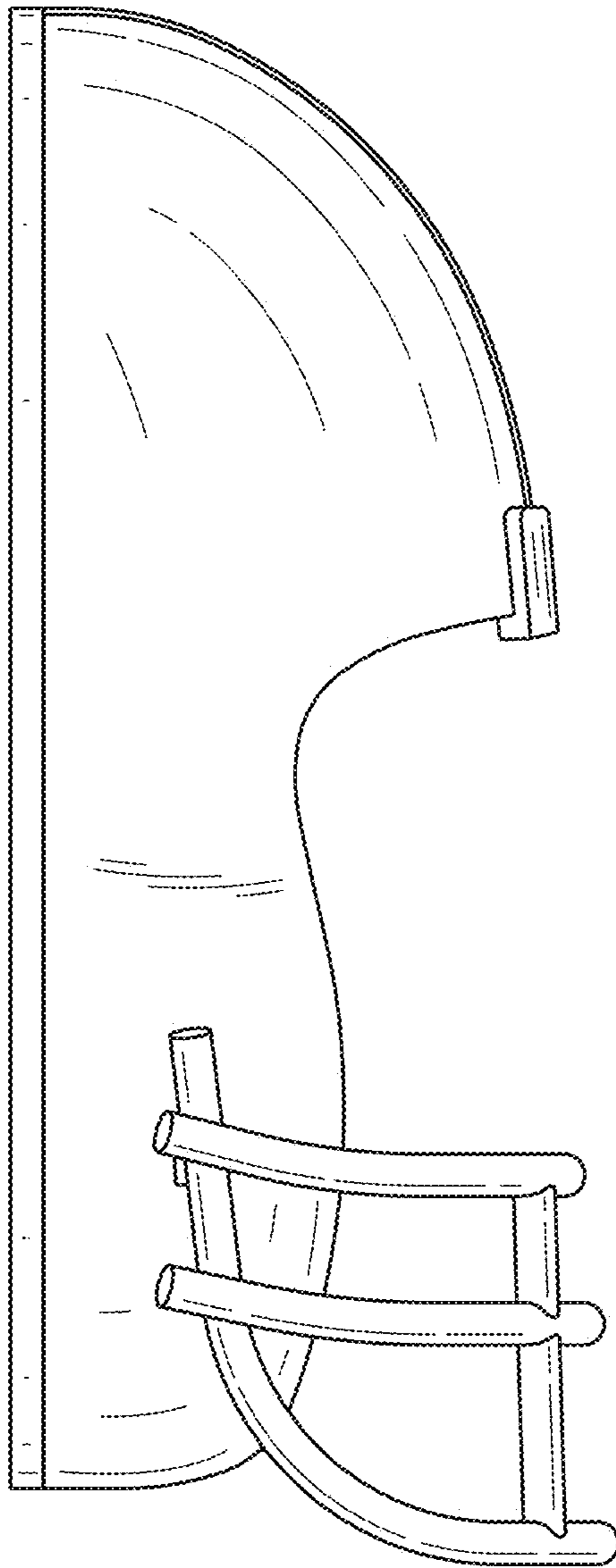


FIG. 4

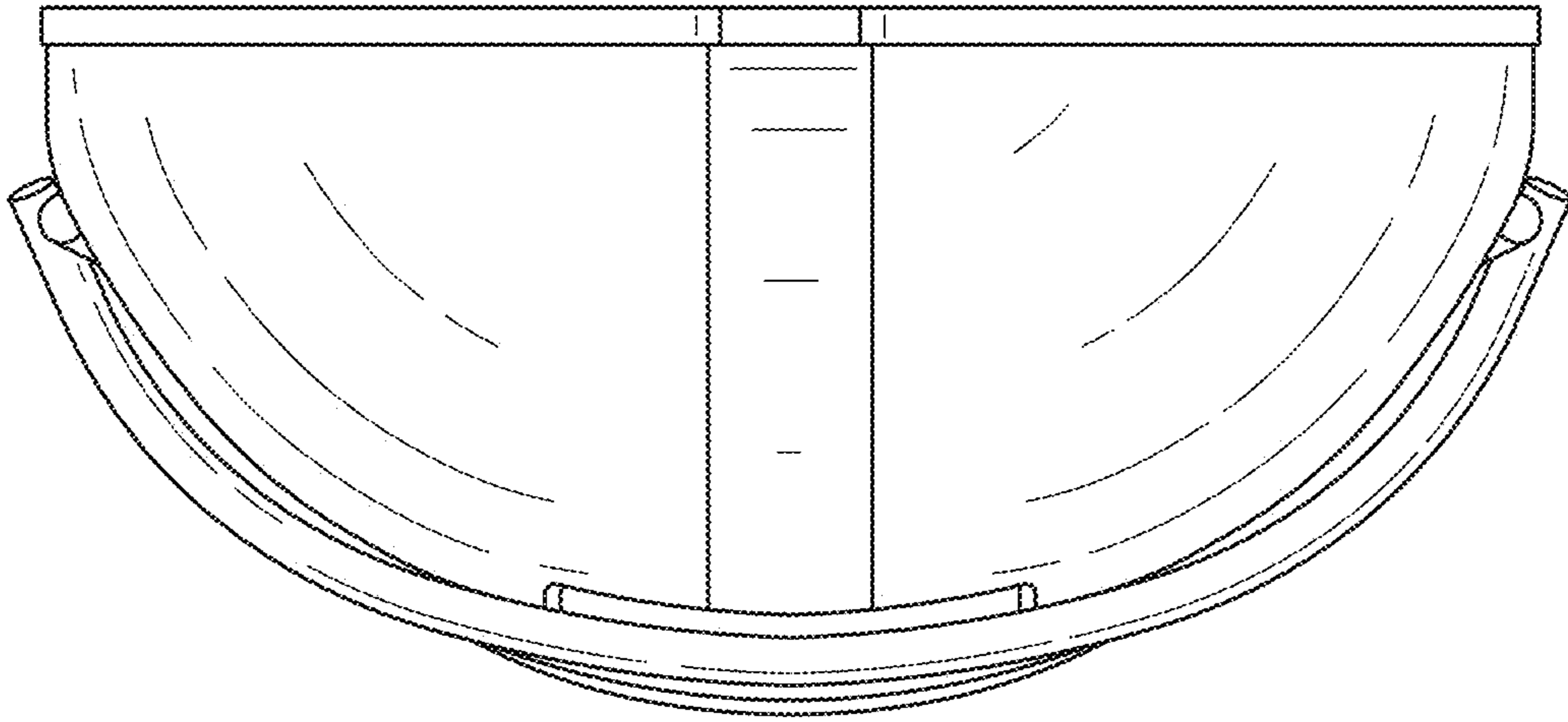


FIG. 5

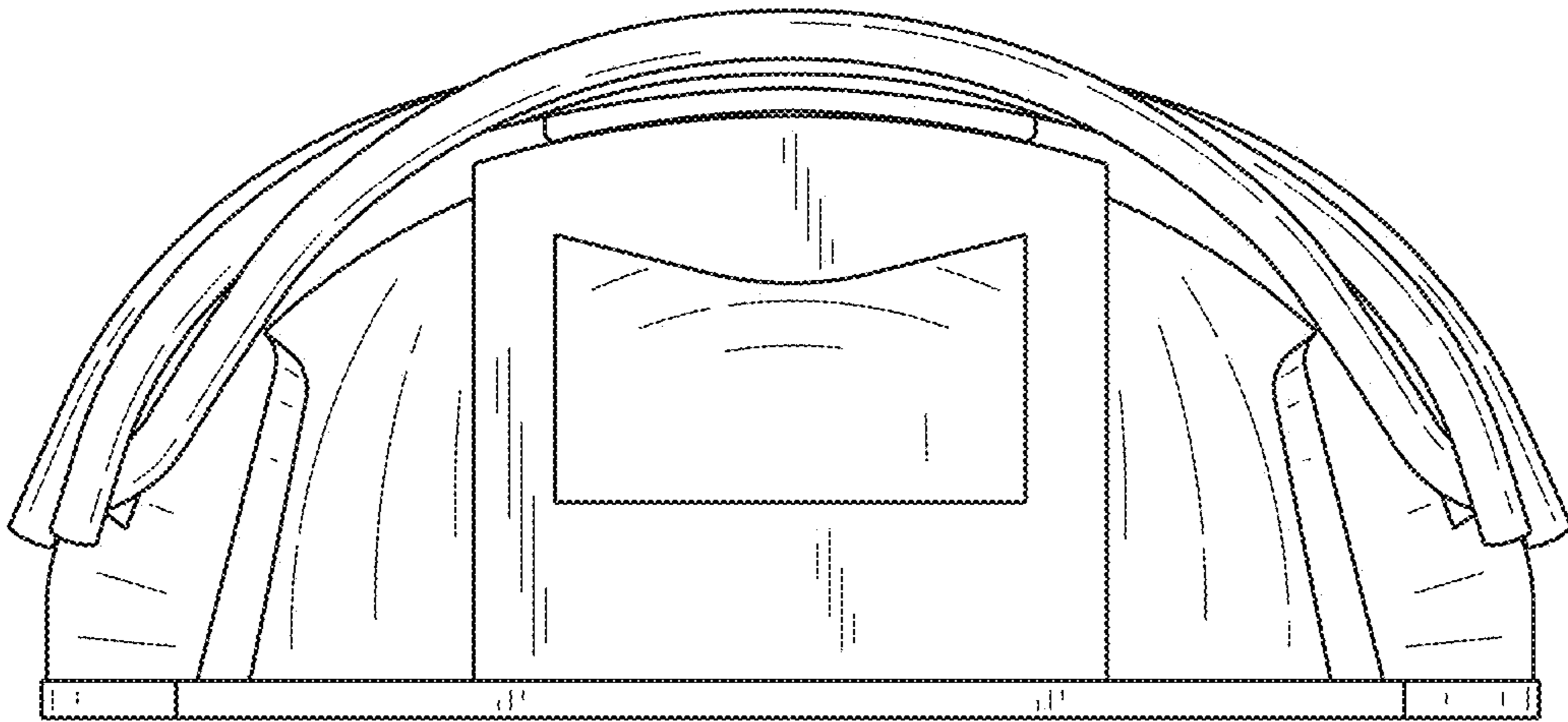


FIG. 6