



US00D905522S

(12) **United States Design Patent**  
**Tsai**

(10) **Patent No.:** **US D905,522 S**

(45) **Date of Patent:** **\*\* Dec. 22, 2020**

(54) **GAS COMBUSTOR**

(71) Applicant: **ROBURN COMPANY LTD.**, New Taipei (TW)

(72) Inventor: **Chin-Lin Tsai**, New Taipei (TW)

(73) Assignee: **ROBURN COMPANY LTD.**, New Taipei (TW)

(\*\*) Term: **15 Years**

(21) Appl. No.: **29/728,262**

(22) Filed: **Mar. 17, 2020**

(30) **Foreign Application Priority Data**

Oct. 30, 2019 (TW) ..... 108306727

(51) **LOC (12) Cl.** ..... **08-05**

(52) **U.S. Cl.**  
USPC ..... **D8/30; D15/144**

(58) **Field of Classification Search**  
USPC ..... D8/30, 107; D19/177; D15/144  
CPC ..... B25D 17/00; F23D 14/28; F23D 14/44;  
F23D 14/46; B23K 3/03  
See application file for complete search history.

(56) **References Cited**

**U.S. PATENT DOCUMENTS**

- D304,543 S \* 11/1989 Somers ..... D8/61
- D305,975 S \* 2/1990 Emmerling ..... D4/199
- 5,525,889 A \* 6/1996 Chan ..... B25B 21/00  
173/217
- 5,667,377 A \* 9/1997 Lin ..... F23D 14/28  
126/406
- D391,820 S \* 3/1998 Bunyea ..... D8/61
- D418,729 S \* 1/2000 Snider ..... D8/61
- 6,102,134 A \* 8/2000 Alsrue ..... B25F 5/02  
173/170
- D465,978 S \* 11/2002 Miyanaga ..... D8/30
- D472,439 S \* 4/2003 Chunn ..... D8/61

- D477,507 S \* 7/2003 Lin ..... D8/30
- D481,598 S \* 11/2003 Lin ..... D8/29.1
- D484,382 S \* 12/2003 Su ..... D8/61
- D486,713 S \* 2/2004 Lai ..... D8/68
- 6,817,424 B1 \* 11/2004 Su ..... B25F 5/02  
173/216
- D502,071 S \* 2/2005 Snider ..... D8/61

(Continued)

**OTHER PUBLICATIONS**

Roburn-torch.com, [site visited May 15, 2020], found on the the Roburn website URL: <[http://www.roburn-torch.com/product\\_info.php?products\\_id=852](http://www.roburn-torch.com/product_info.php?products_id=852)> (Year: 2020).\*

(Continued)

*Primary Examiner* — Sheryl Lane

*Assistant Examiner* — Mark T. Philipps

(74) *Attorney, Agent, or Firm* — Guice Patents PLLC

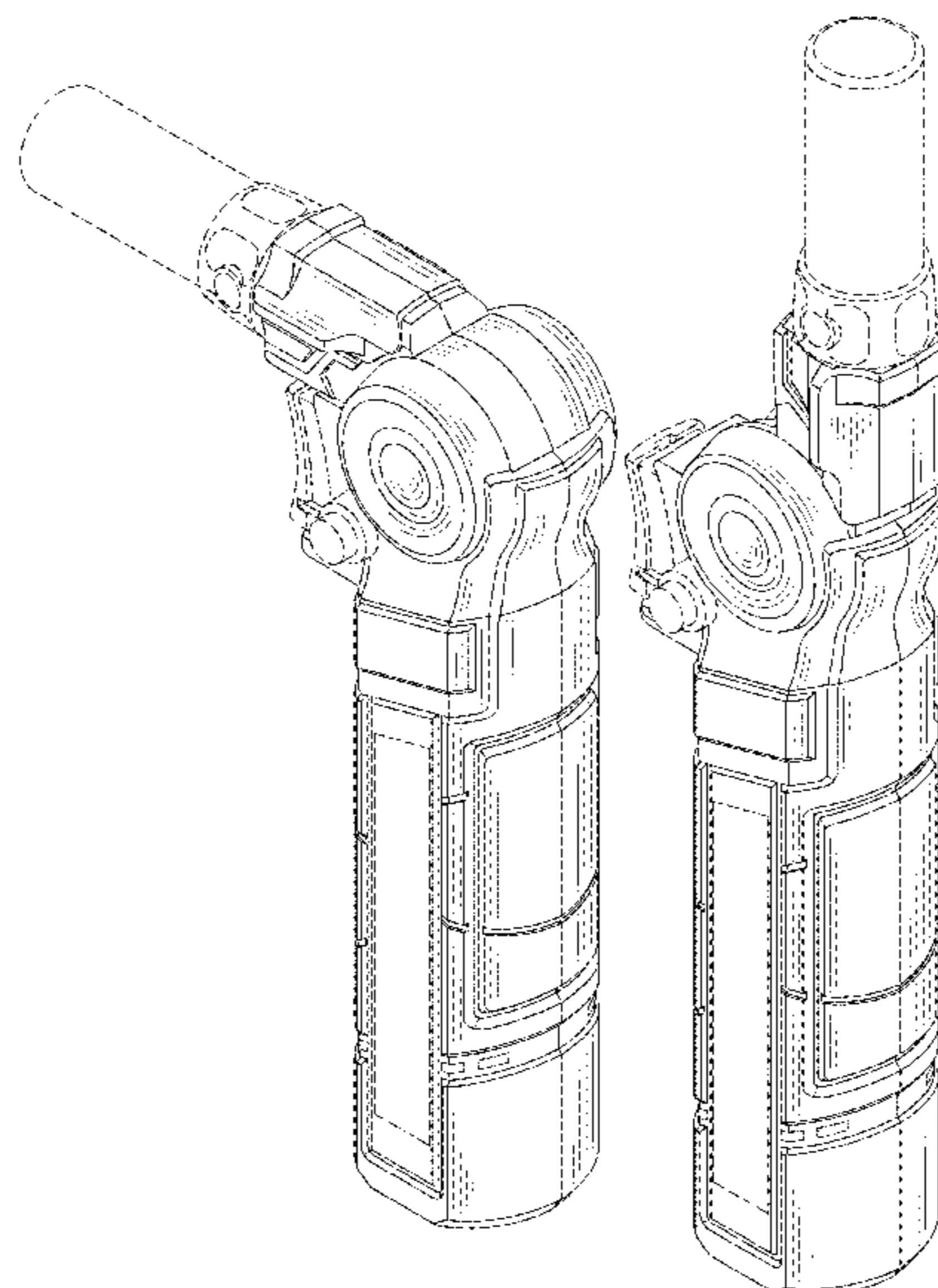
(57) **CLAIM**

The ornamental design for a gas combustor, as shown and described.

**DESCRIPTION**

FIG. 1 is a perspective view of a gas combustor showing the design;  
 FIG. 2 is a front side elevation view thereof;  
 FIG. 3 is a rear side elevation view thereof;  
 FIG. 4 is a right side elevation view thereof;  
 FIG. 5 is a left side elevation view thereof;  
 FIG. 6 is a top plan view thereof;  
 FIG. 7 is a bottom plan view thereof;  
 FIG. 8 is a perspective view illustrating a rotated position thereof; and,  
 FIG. 9 is a perspective view illustrating another rotated position thereof.  
 The broken lines show portions of a gas combustor that form no part of the claimed design.

**1 Claim, 8 Drawing Sheets**



(56)

References Cited

U.S. PATENT DOCUMENTS

D518,351 S \* 4/2006 Hay ..... D8/1  
 D526,550 S \* 8/2006 Aglassinger ..... D8/61  
 D528,385 S \* 9/2006 Netzler ..... D8/61  
 D554,461 S \* 11/2007 Kokawa ..... D8/61  
 D586,195 S \* 2/2009 Okuda ..... D8/61  
 D604,581 S \* 11/2009 Edwards ..... D8/61  
 D638,270 S \* 5/2011 Flattinger ..... D8/107  
 D641,222 S \* 7/2011 Molina ..... D14/411  
 D681,419 S \* 5/2013 Patterson ..... D8/107  
 9,266,230 B2 \* 2/2016 Maddilate ..... B25F 5/02  
 D801,431 S \* 10/2017 Kao ..... D19/177  
 D810,532 S \* 2/2018 Tsai ..... D8/30  
 D813,628 S \* 3/2018 Tsai ..... D8/30  
 D820,331 S \* 6/2018 Walters ..... D15/144  
 D832,902 S \* 11/2018 Tsai ..... D15/144  
 D839,350 S \* 1/2019 Hockenberry ..... D19/177  
 D845,364 S \* 4/2019 Stewart ..... D15/144  
 D847,232 S \* 4/2019 Zahriya ..... D15/144  
 D848,803 S \* 5/2019 Tsai ..... D8/30  
 D852,596 S \* 7/2019 Mantes ..... D8/30  
 D865,470 S \* 11/2019 Houghton ..... D8/61

D867,413 S \* 11/2019 Tsai ..... D15/144  
 D876,914 S \* 3/2020 Mitterhumer ..... D8/30  
 D881,664 S \* 4/2020 Vazquez ..... D8/30  
 D882,654 S \* 4/2020 Tsai ..... D15/144  
 D893,967 S \* 8/2020 Vazquez ..... D8/30  
 2003/0200841 A1 \* 10/2003 Novotny ..... B25F 5/02  
 81/177.8  
 2007/0077529 A1 \* 4/2007 Lin ..... F23D 14/38  
 431/241  
 2008/0160471 A1 \* 7/2008 Lin ..... F23D 14/28  
 431/344  
 2010/0261129 A1 \* 10/2010 Lin ..... F23D 14/38  
 431/344  
 2018/0111213 A1 \* 4/2018 Mantes ..... B23K 3/027  
 2018/0320896 A1 \* 11/2018 VanCleave, III ..... F23Q 2/287

OTHER PUBLICATIONS

Amazon.com, NANW Butane Torch, [first available Nov. 26, 2019], Available at Amazon.com URL: <<https://www.amazon.com/NANW-Refillable-Culinary-Adjustable-Included/dp/B082150V64/>> (Year: 2019).\*

\* cited by examiner

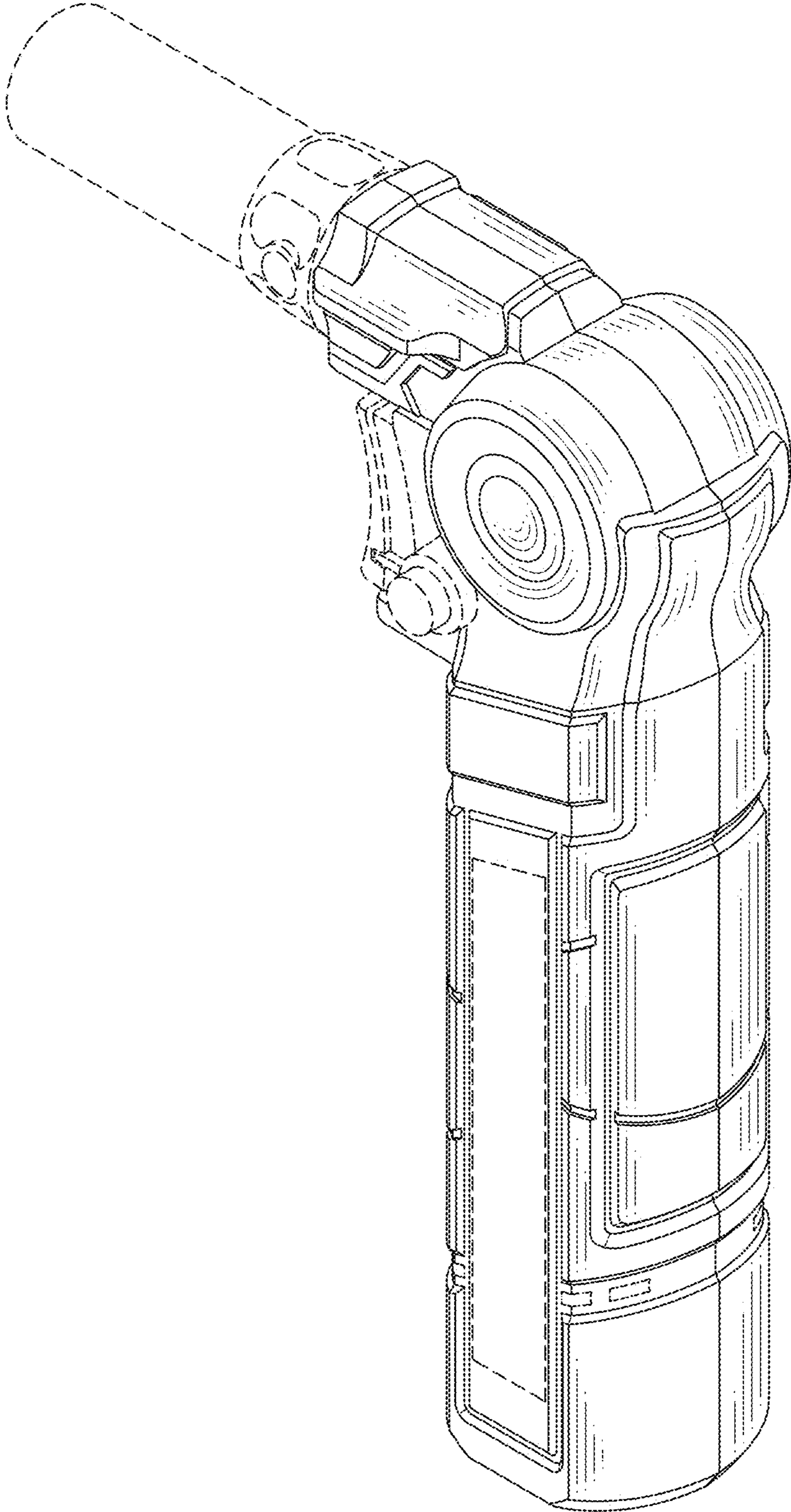


FIG. 1

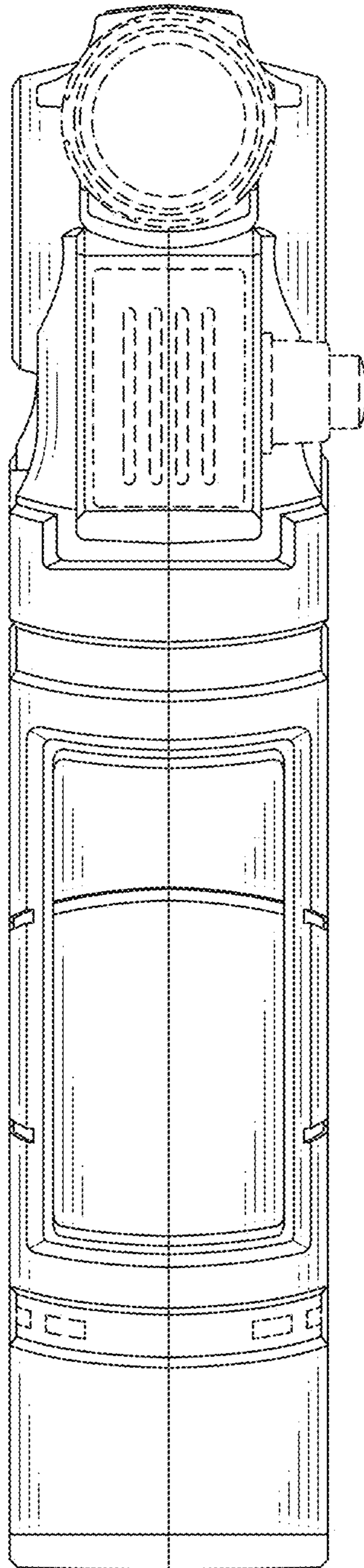


FIG. 2

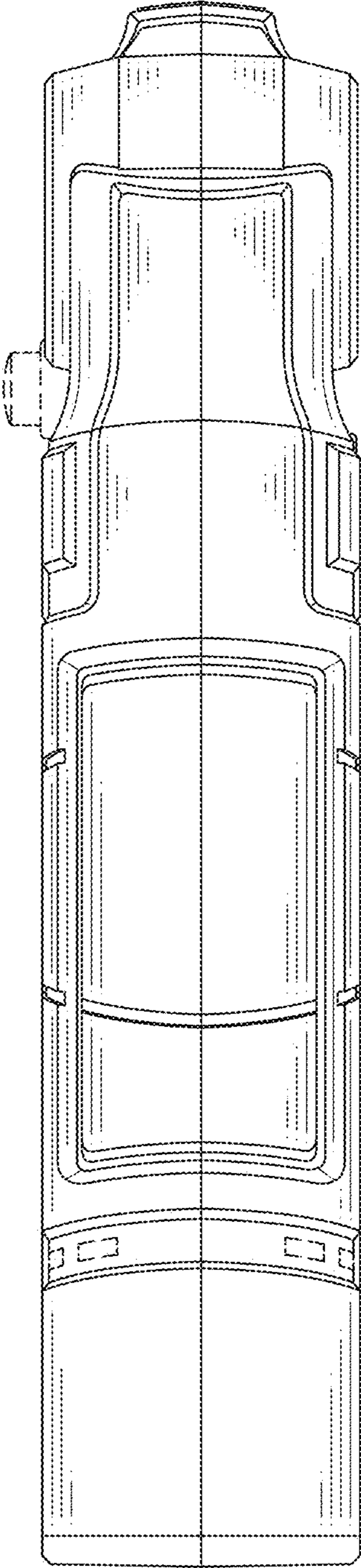


FIG. 3

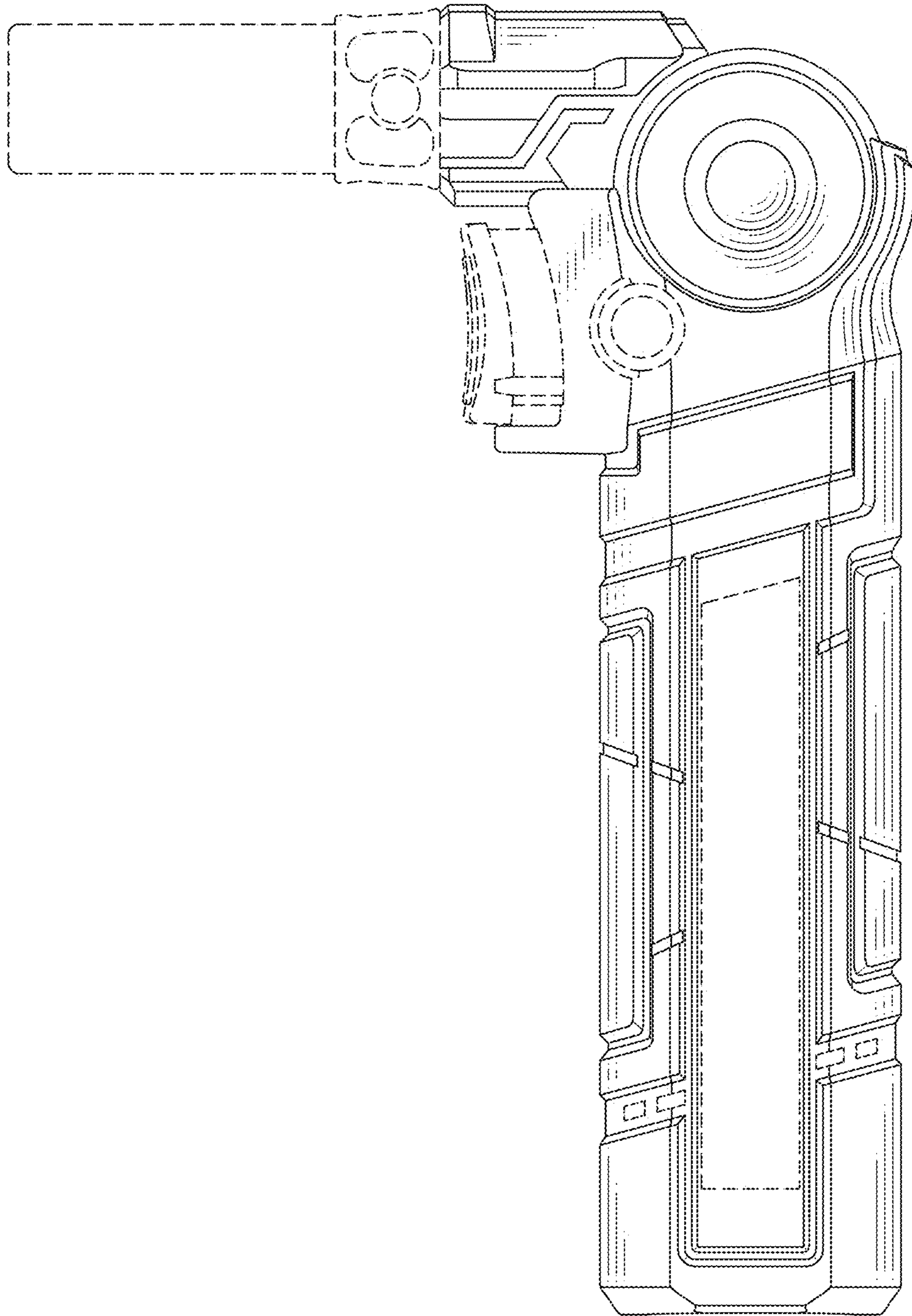


FIG. 4

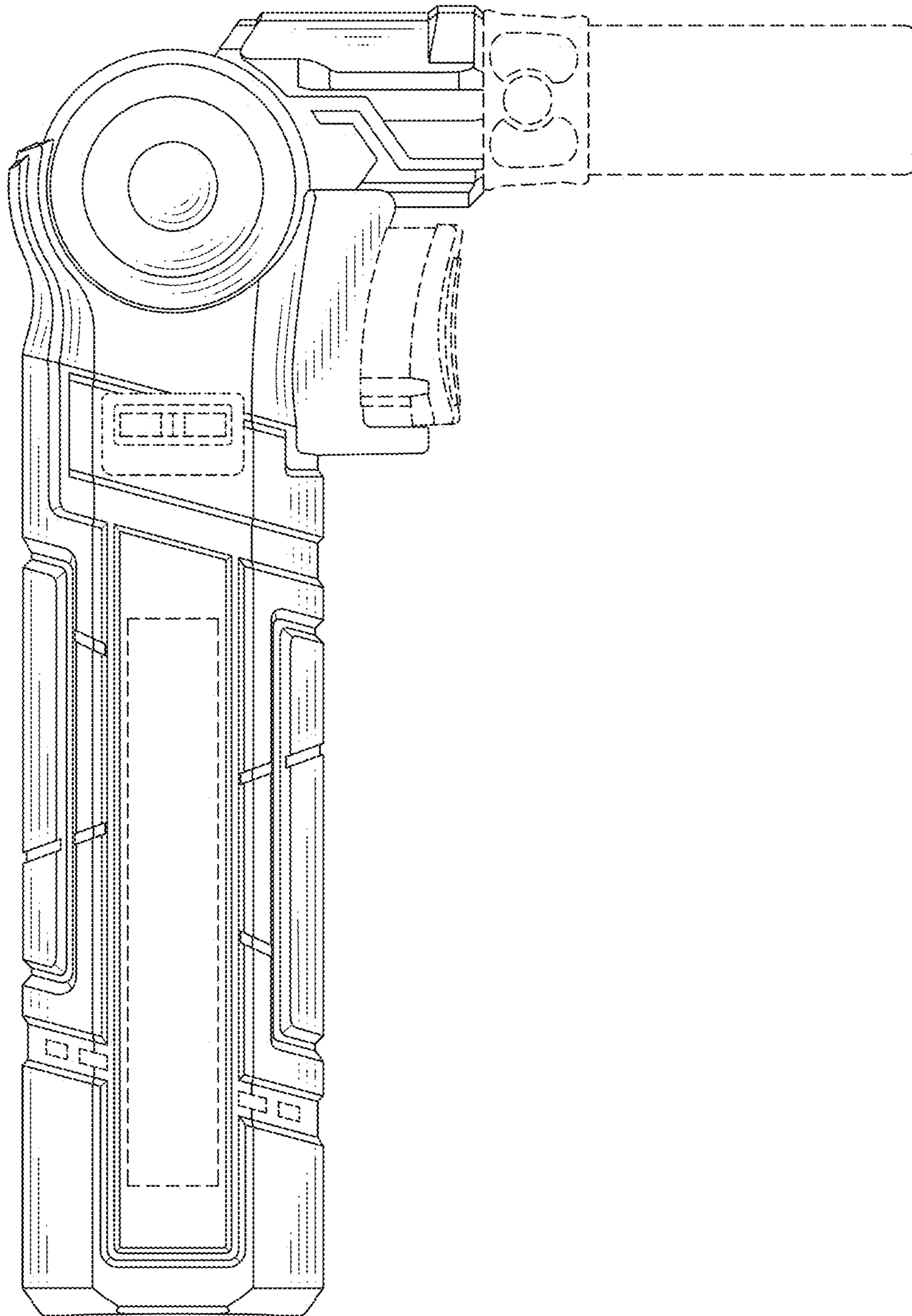


FIG. 5

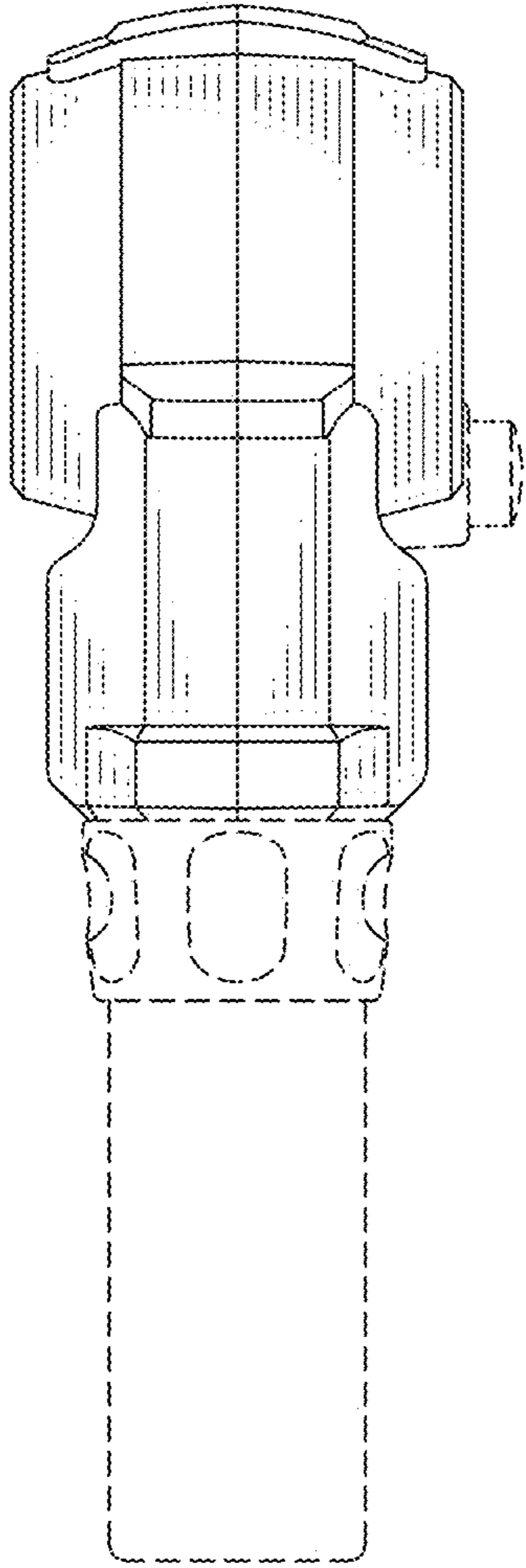


FIG. 6

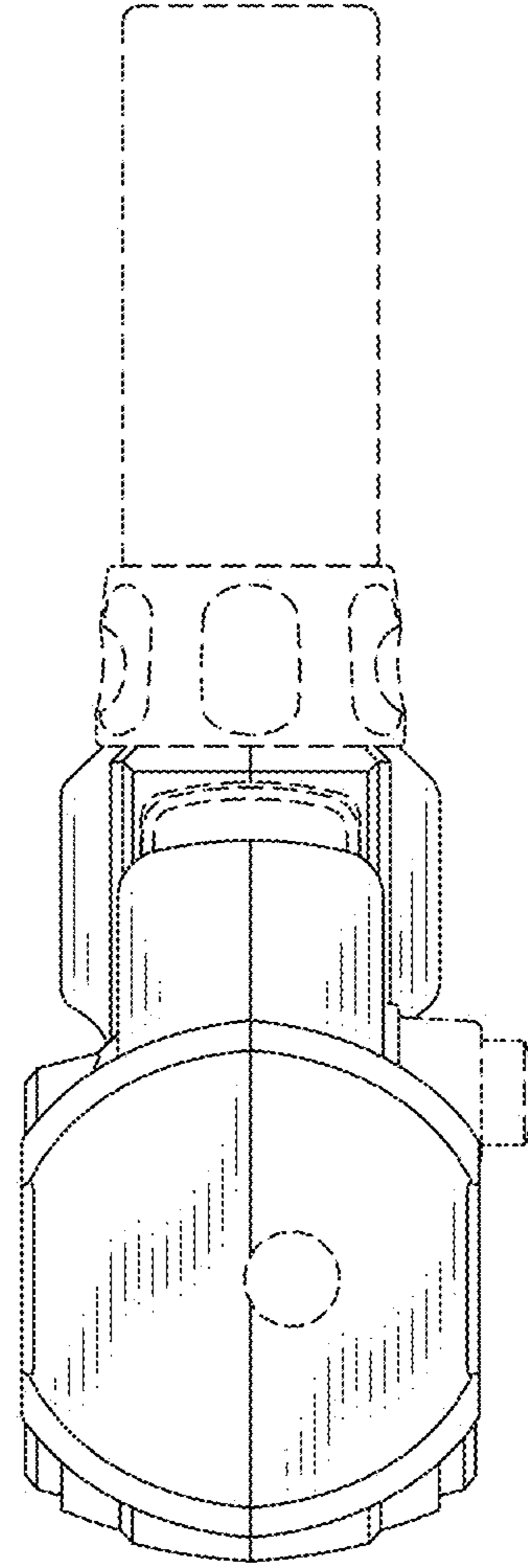


FIG. 7



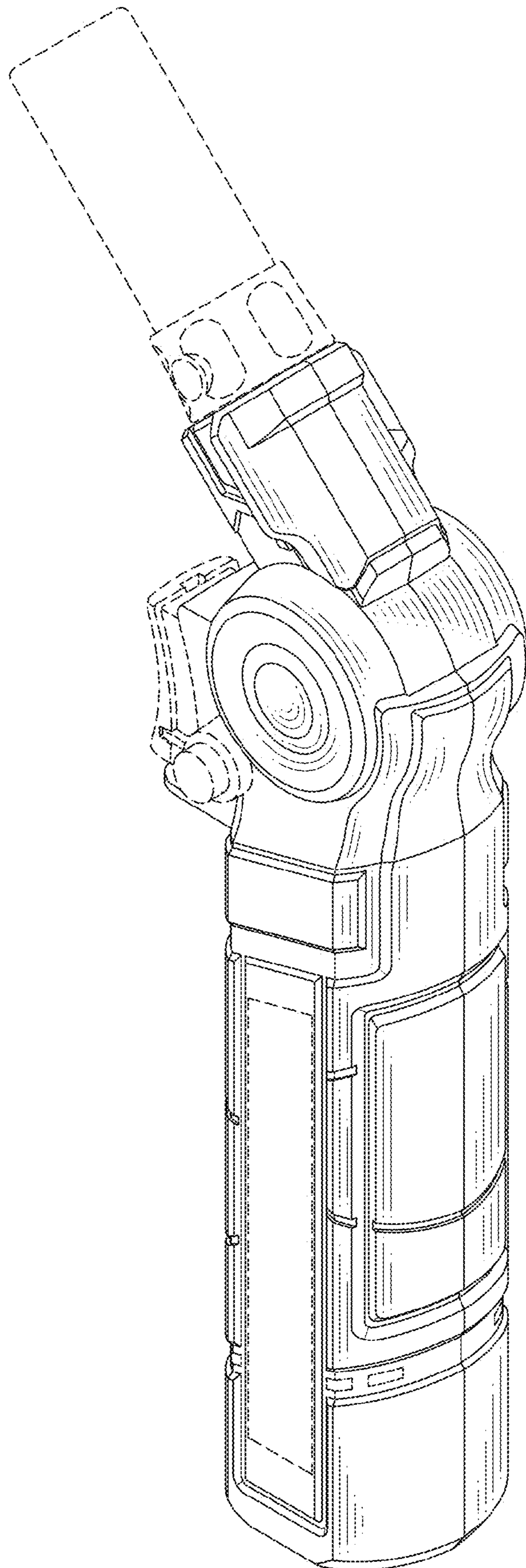


FIG. 8

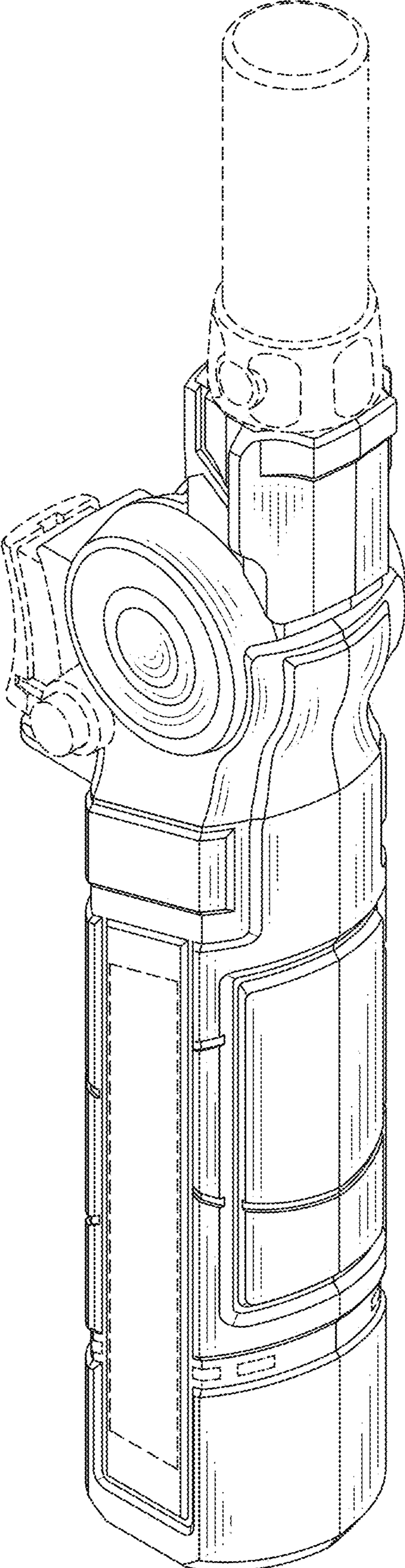


FIG. 9