



US00D905520S

(12) **United States Design Patent**  
**Huang**

(10) **Patent No.:** **US D905,520 S**

(45) **Date of Patent:** **\*\* Dec. 22, 2020**

(54) **GLUE GUN HOUSING**

6,457,889 B1 *	10/2002	Lin	.....	B05C 17/0053
				126/401
D505,845 S *	6/2005	Lin	.....	D8/14.1
D510,243 S *	10/2005	Lee	.....	D8/30
D514,406 S *	2/2006	Lee	.....	D8/30
D576,458 S *	9/2008	Arns	.....	D8/30
D583,639 S *	12/2008	Axinte	.....	D8/14.1
D590,674 S *	4/2009	Belanger	.....	D8/30
D744,305 S *	12/2015	Huang	.....	D8/30
D748,444 S *	2/2016	Huang	.....	D8/30
D809,884 S *	2/2018	Huang	.....	D8/30
D821,170 S *	6/2018	Huang	.....	D8/30

(71) Applicant: **Yeu Chyuan Industrial Co., Ltd.**,  
Shuishang Township, Chiayi County  
(TW)

(72) Inventor: **Yung-Kuan Huang**, Shuishang  
Township (TW)

(73) Assignee: **Yeu Chyuan Industrial Co., Ltd.**,  
Shuishang Township (TW)

(\*\*) Term: **15 Years**

(21) Appl. No.: **29/664,874**

(22) Filed: **Sep. 28, 2018**

(51) **LOC (12) Cl.** ..... **08-05**

(52) **U.S. Cl.**  
USPC ..... **D8/30**

(58) **Field of Classification Search**  
USPC ..... D8/14.1, 29.1, 30, 68, 69  
CPC ..... B05C 17/0053; B05C 17/00546; B05C  
17/00526; B05C 17/01; B05C 17/005;  
B05C 17/00523

See application file for complete search history.

(56) **References Cited**

**U.S. PATENT DOCUMENTS**

D404,622 S *	1/1999	Singleton	.....	D8/29.1
6,105,824 A *	8/2000	Singleton	.....	B05C 17/0053
				219/221

\* cited by examiner

*Primary Examiner* — Philip S Hyder

(74) *Attorney, Agent, or Firm* — Alan D. Kamrath; Karin  
L. Williams; Mayer & Williams PC

(57) **CLAIM**

The ornamental design for a glue gun housing, as shown and  
described.

**DESCRIPTION**

FIG. 1 is a perspective view of a glue gun housing, showing  
my new design;

FIG. 2 is a front elevational view thereof;

FIG. 3 is a rear elevational view thereof;

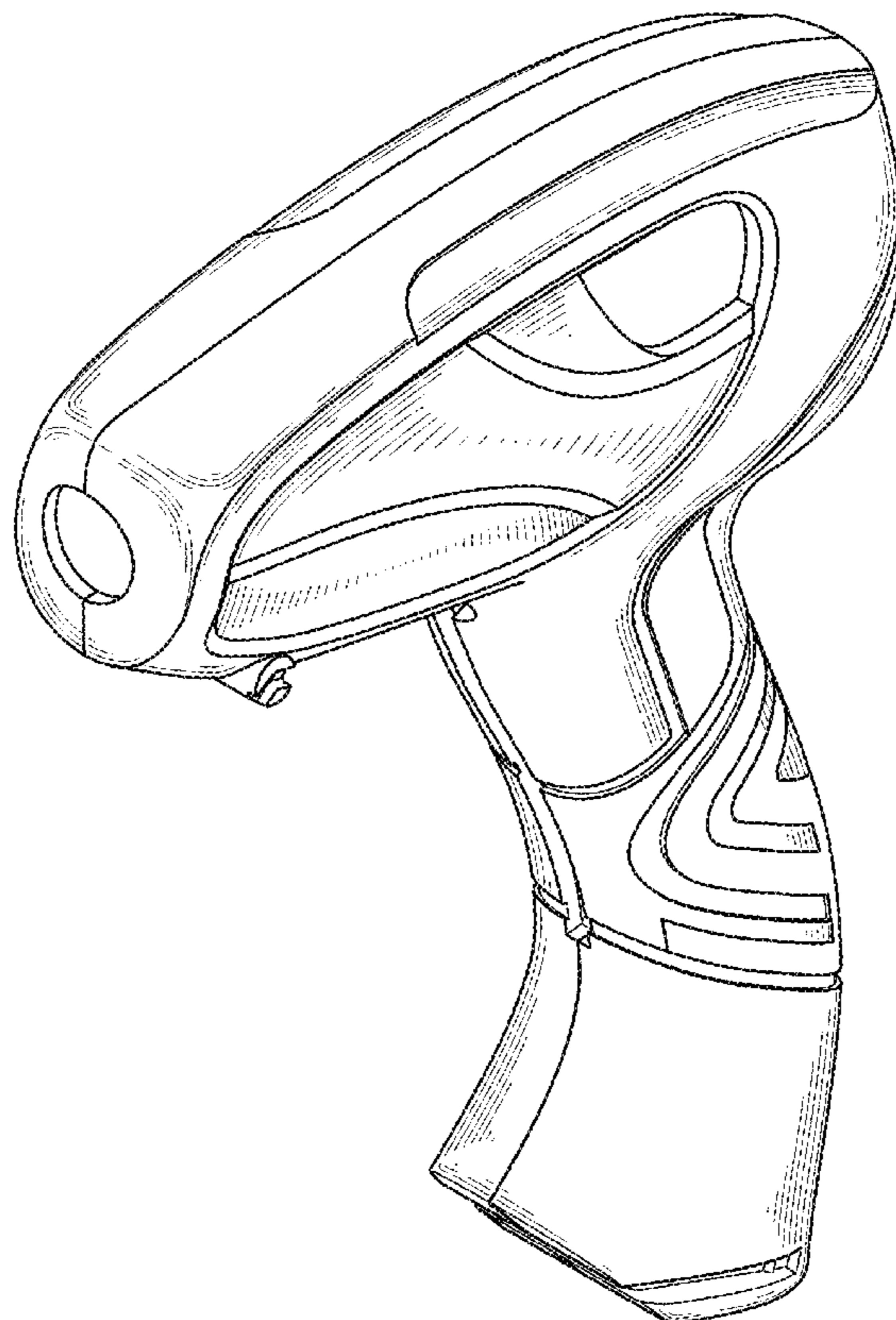
FIG. 4 is a left side view thereof;

FIG. 5 is a right side view thereof;

FIG. 6 is a top plan view thereof; and,

FIG. 7 is a bottom plan view thereof.

**1 Claim, 5 Drawing Sheets**



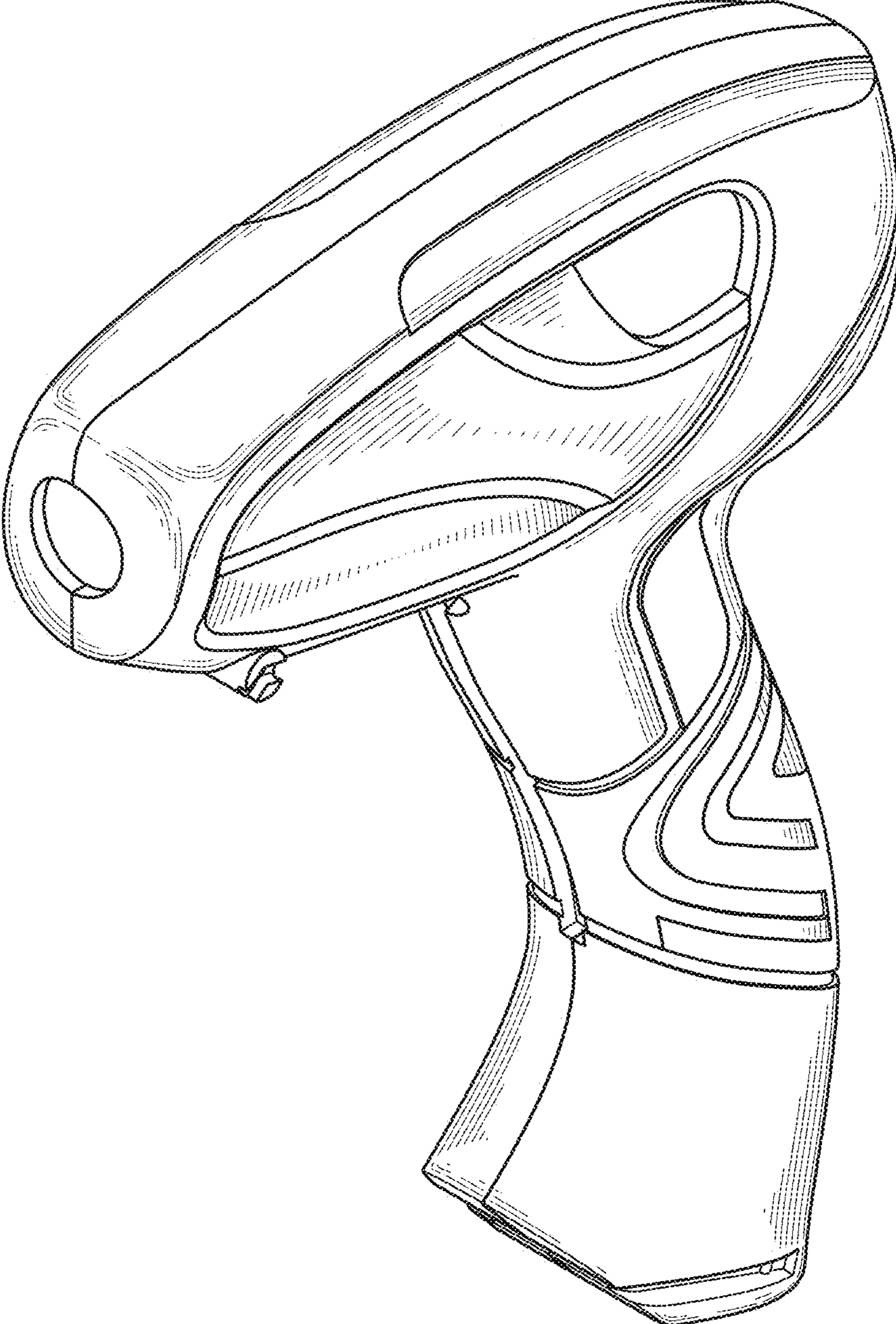


FIG. 1

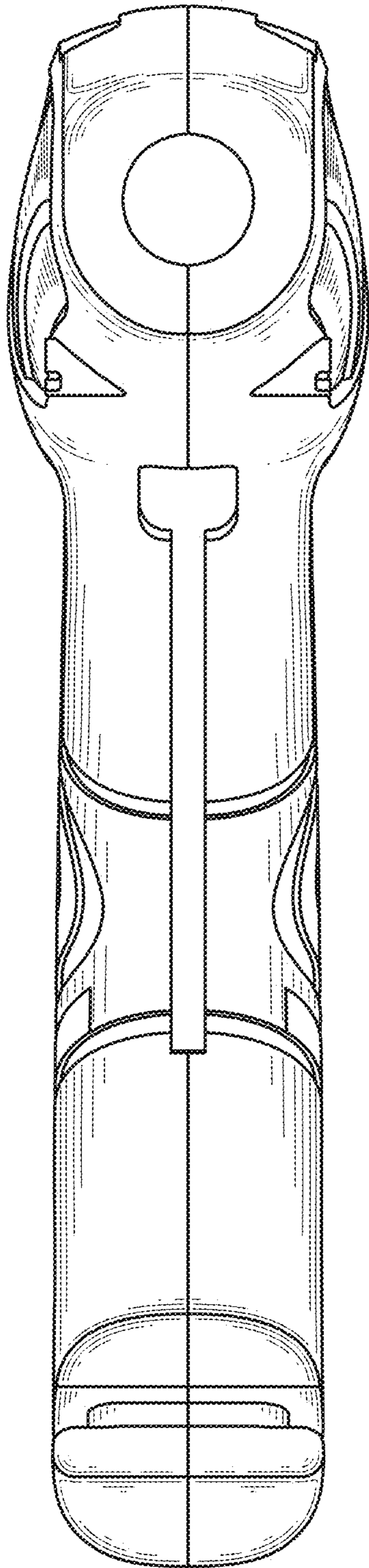


FIG. 2

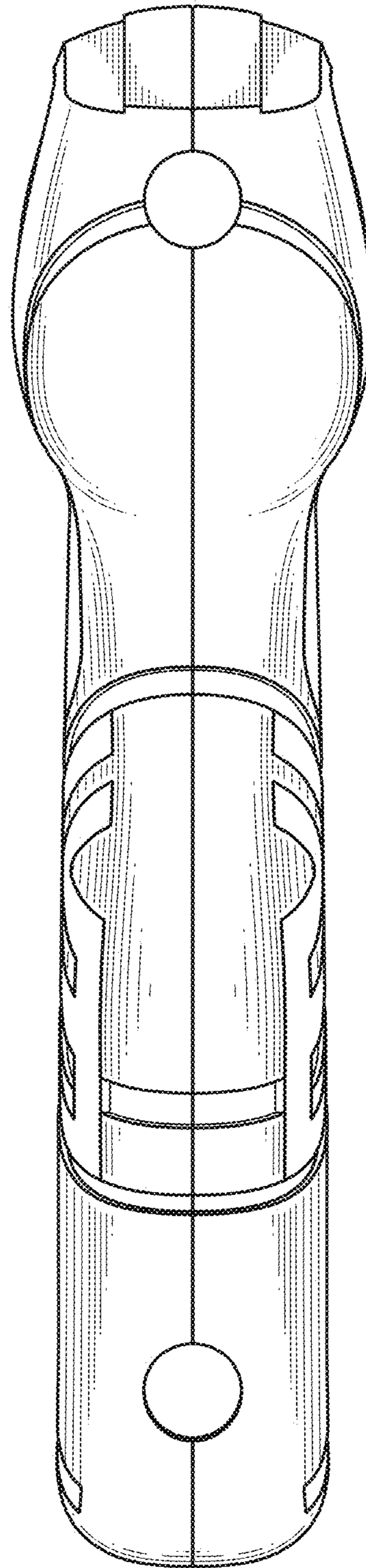


FIG. 3



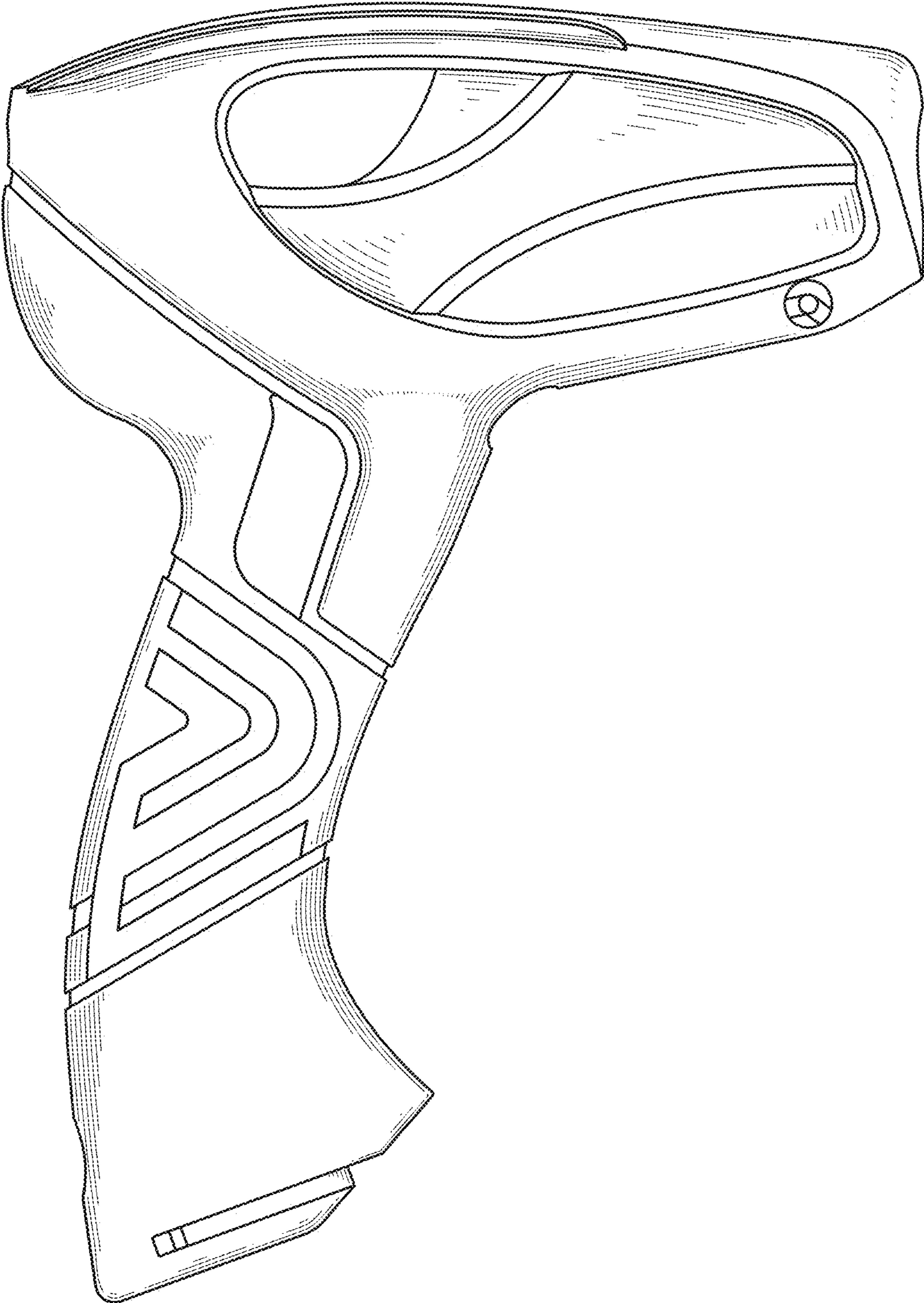


FIG. 4

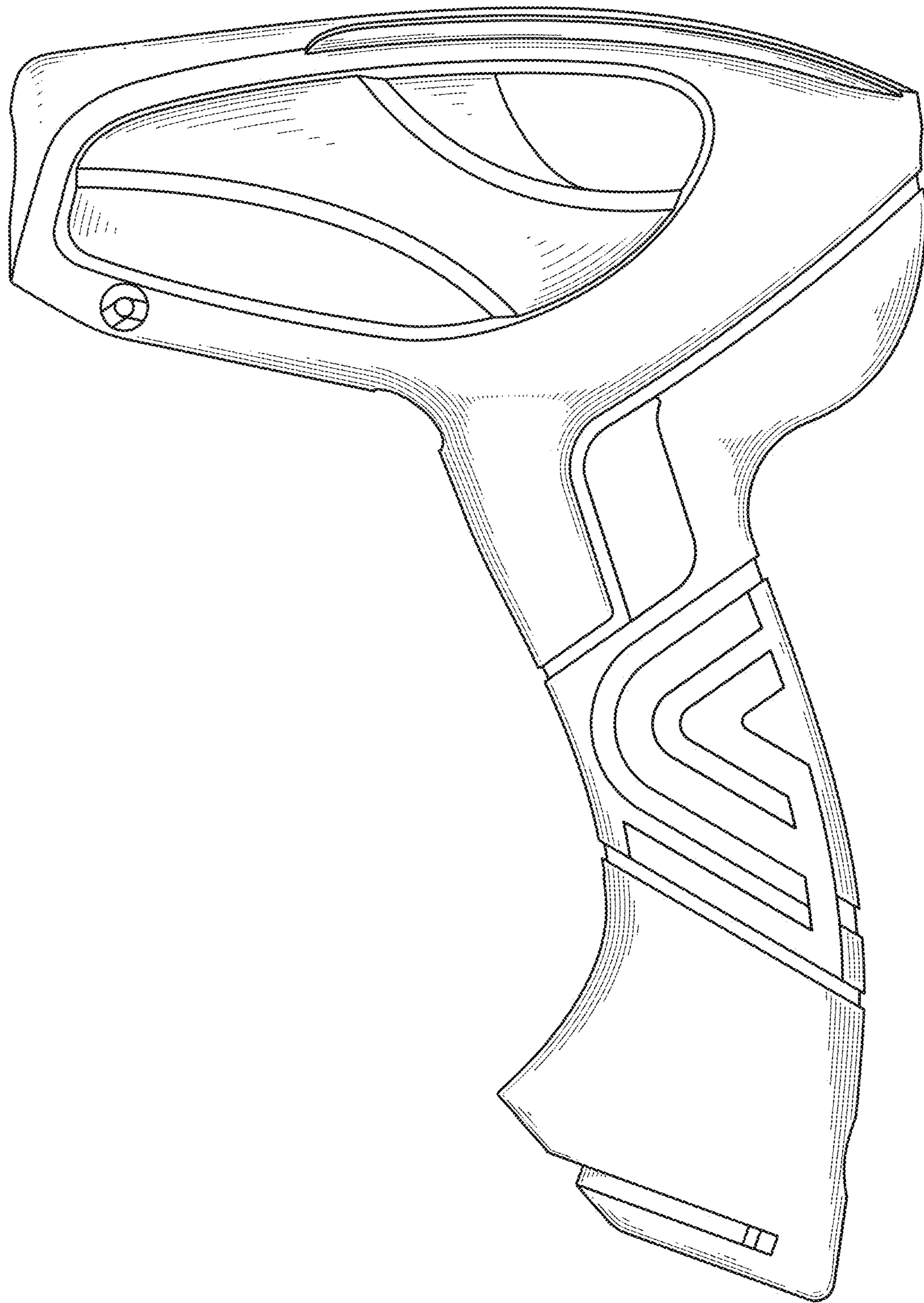


FIG. 5

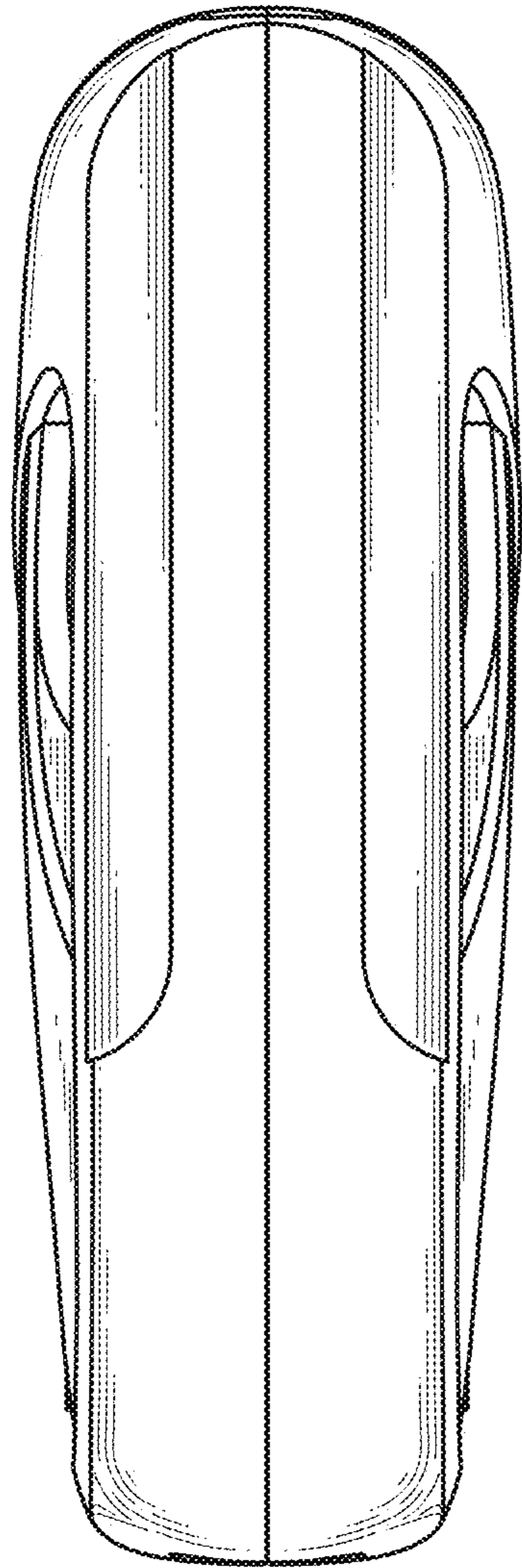


FIG. 6

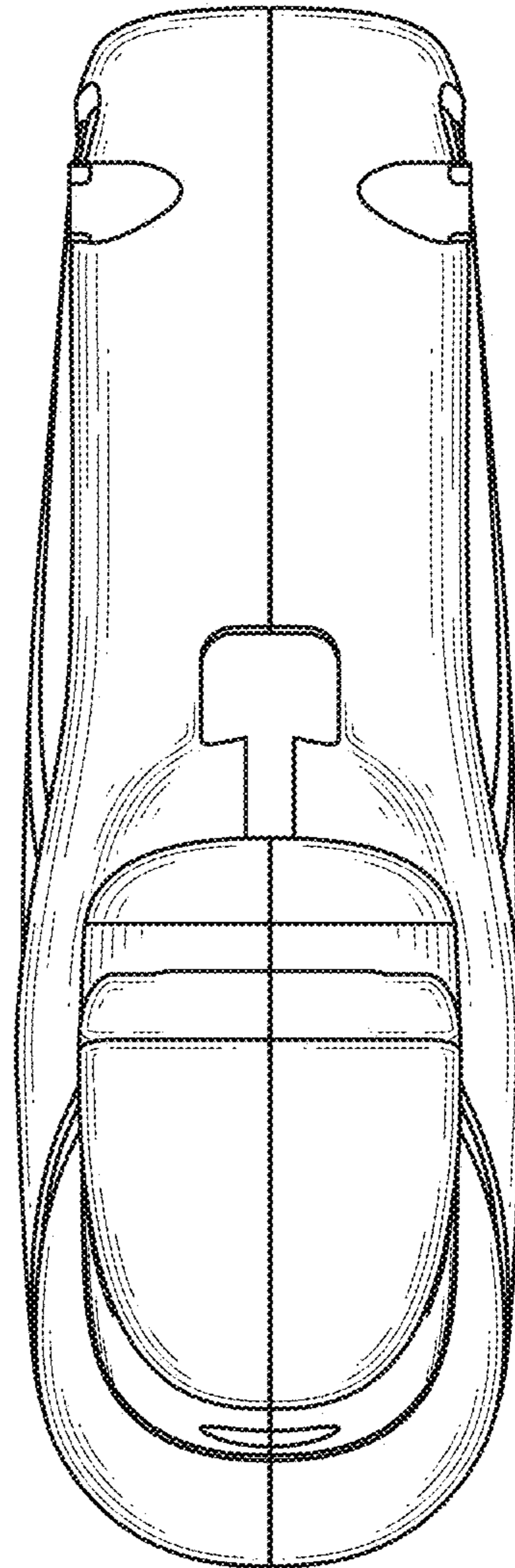


FIG. 7