



US00D905519S

(12) **United States Design Patent**  
**Gou**

(10) **Patent No.:** **US D905,519 S**

(45) **Date of Patent:** **\*\* Dec. 22, 2020**

(54) **HOT AIR BLOWING TOOL FOR MELTING SOLDER**

(71) Applicant: **Guangzhou Yihua Electronic Equipment Co., Ltd., Guangdong (CN)**

(72) Inventor: **Mingkang Gou, Guangdong (CN)**

(73) Assignee: **Guangzhou Yihua Electronic Equipment Co., Ltd., Guangdong (CN)**

(\*\*) Term: **15 Years**

(21) Appl. No.: **29/691,137**

(22) Filed: **May 14, 2019**

(51) **LOC (12) Cl.** ..... **08-05**

(52) **U.S. Cl.**  
USPC ..... **D8/29.1**

(58) **Field of Classification Search**  
USPC ..... D8/29.1, 29.2, 30, 69, 107; D28/133;  
D15/144  
CPC ..... F24H 3/00; F24H 3/02; F24H 3/0423  
See application file for complete search history.

(56) **References Cited**

**U.S. PATENT DOCUMENTS**

4,085,309 A \* 4/1978 Godel ..... A45D 20/30  
219/501  
D412,329 S \* 7/1999 Banryu ..... D14/138 AA

D436,507 S \* 1/2001 Cheng ..... D8/29.1  
D456,681 S \* 5/2002 Cheng ..... D8/29.1  
D458,524 S \* 6/2002 Cheng ..... D8/29.1  
D648,606 S \* 11/2011 Sallander ..... D8/29.1  
D743,764 S \* 11/2015 Teraoka ..... D8/29.1  
D771,454 S \* 11/2016 Steinel ..... D8/29.1  
D865,463 S \* 11/2019 Lei ..... D8/29.1  
2010/0008655 A1\* 1/2010 Tackitt ..... F24H 3/0423  
392/385  
2013/0128328 A1\* 5/2013 Honda ..... G02B 26/0858  
359/199.4

\* cited by examiner

*Primary Examiner* — Philip S Hyder

(74) *Attorney, Agent, or Firm* — Lucas & Mercanti, LLP

(57) **CLAIM**

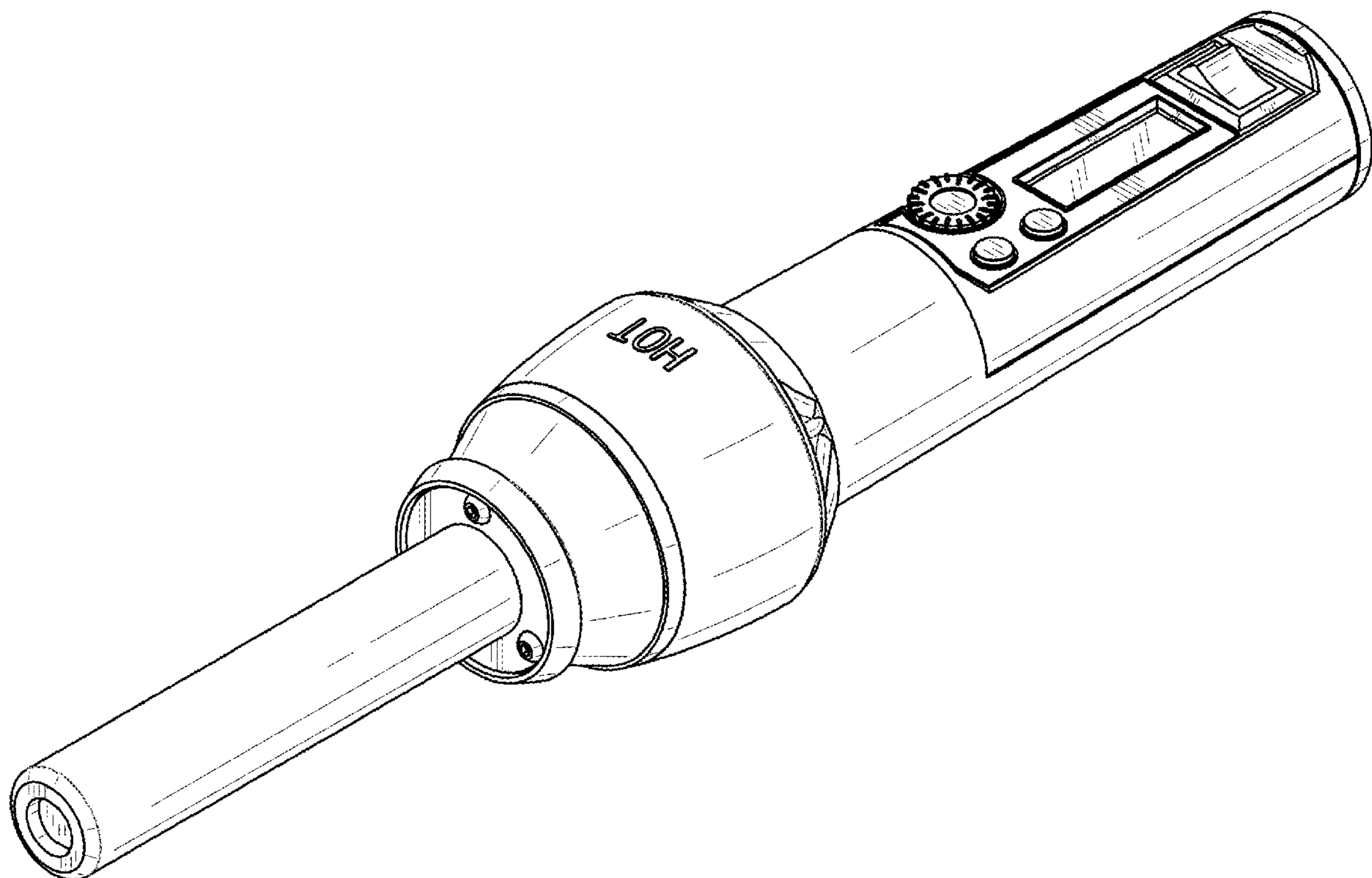
The ornamental design for a hot air blowing tool for melting solder, as shown and described.

**DESCRIPTION**

FIG. 1 is a perspective view of the hot air blowing tool;  
FIG. 2 is a front view thereof  
FIG. 3 is a rear view thereof;  
FIG. 4 is a left side view thereof;  
FIG. 5 is a right side view thereof;  
FIG. 6 is a top view thereof; and,  
FIG. 7 is a bottom view thereof.

The broken lines in figures are to show unclaimed subject matter and form no part of the claimed design.

**1 Claim, 4 Drawing Sheets**



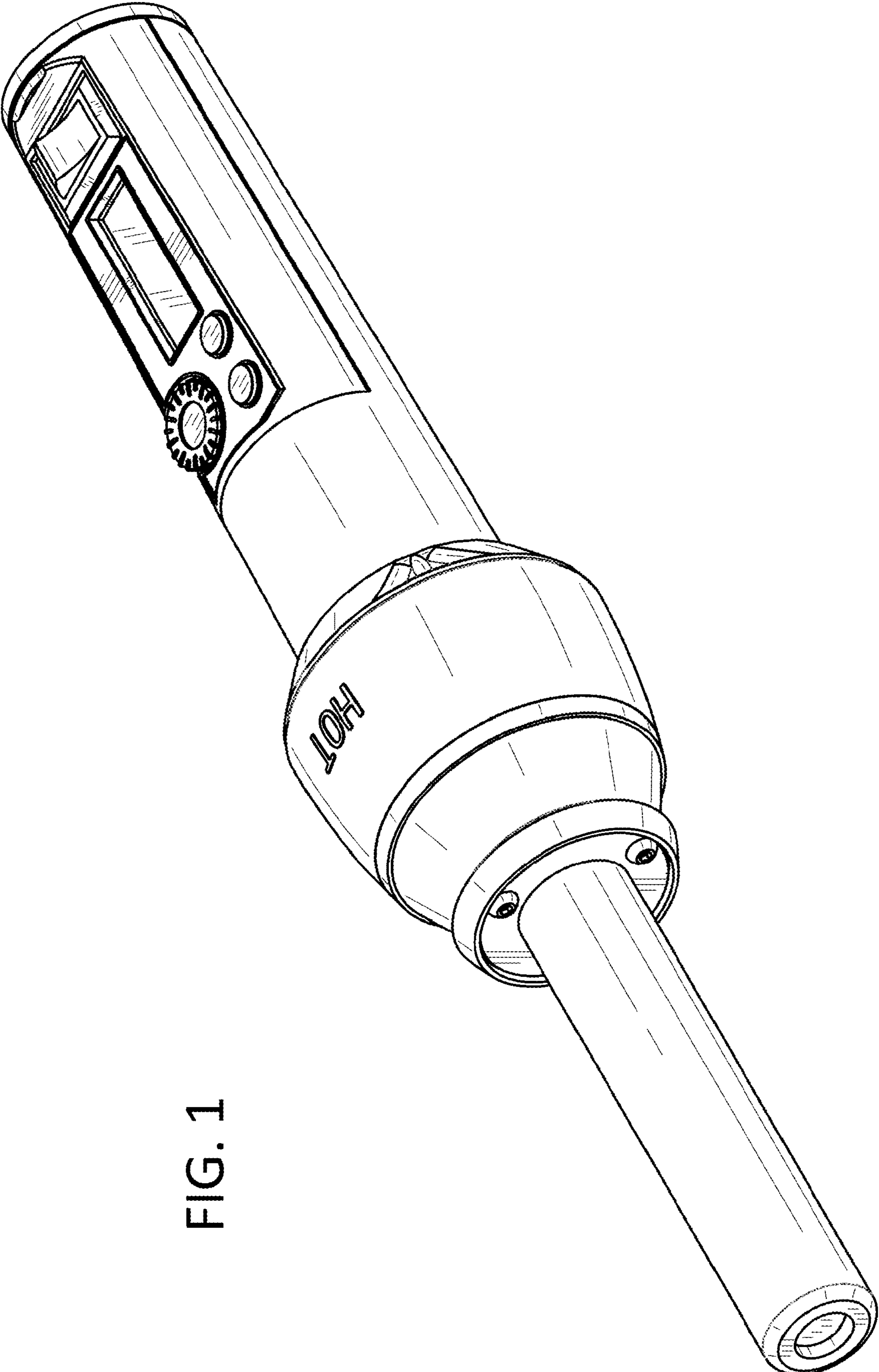


FIG. 1

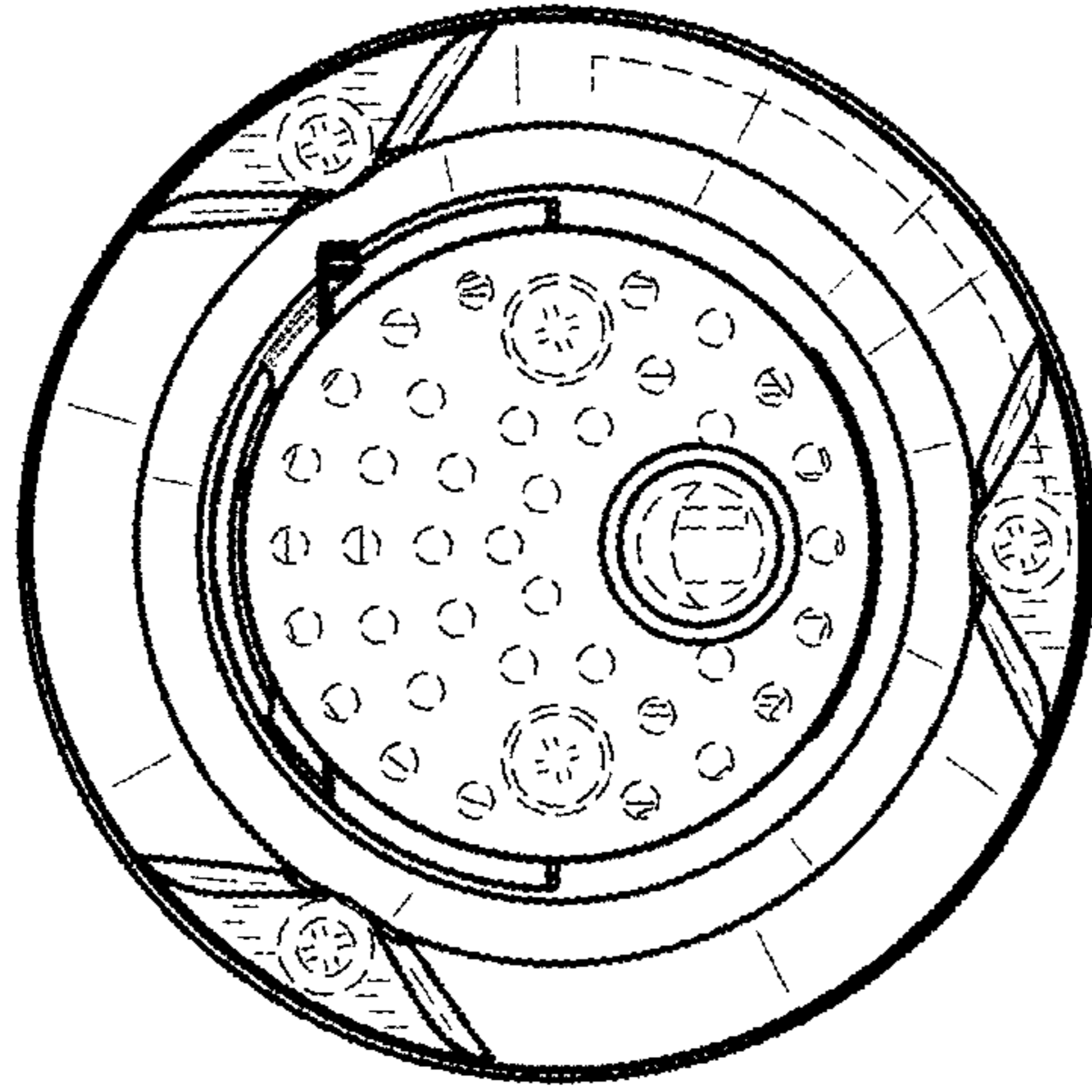


FIG. 3

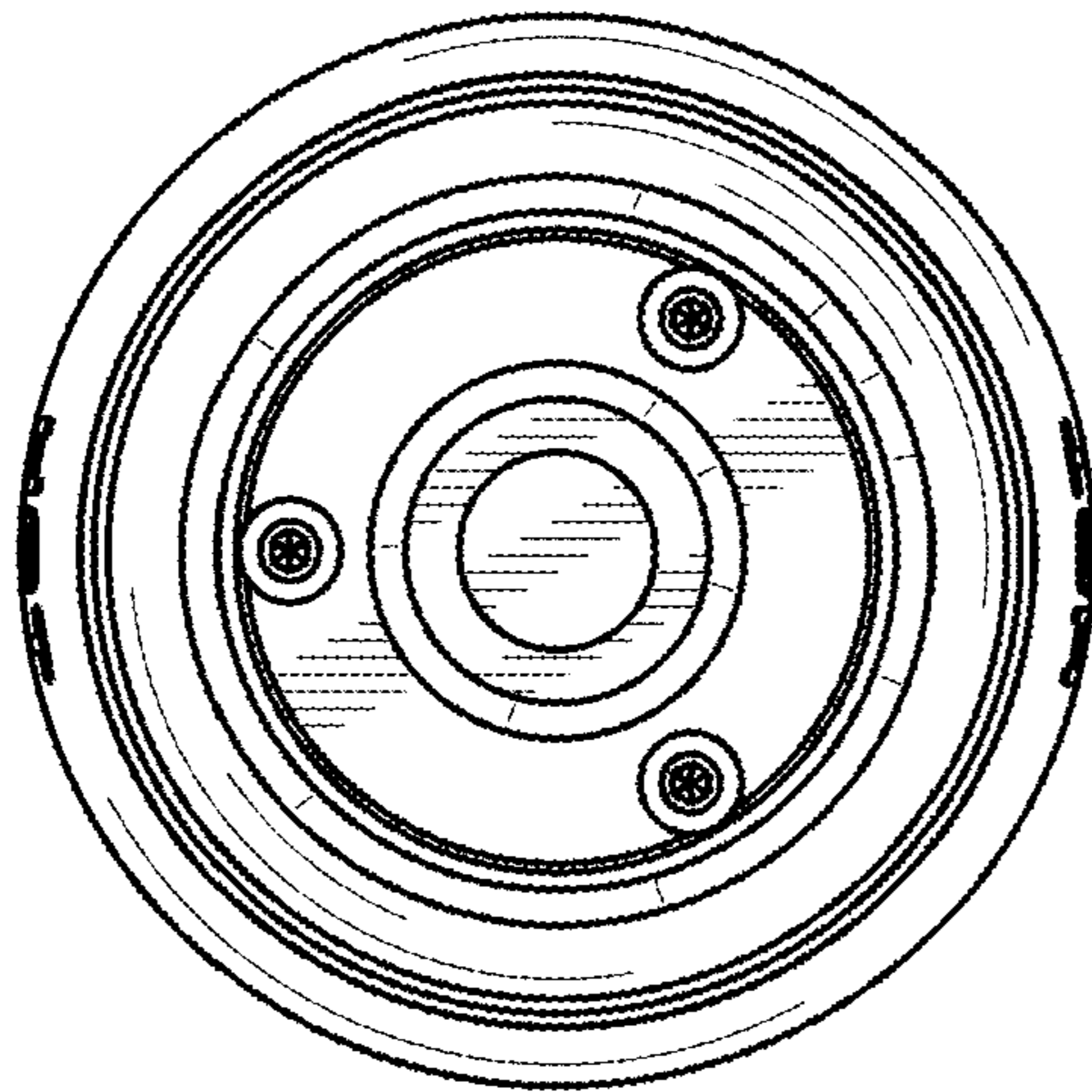


FIG. 2

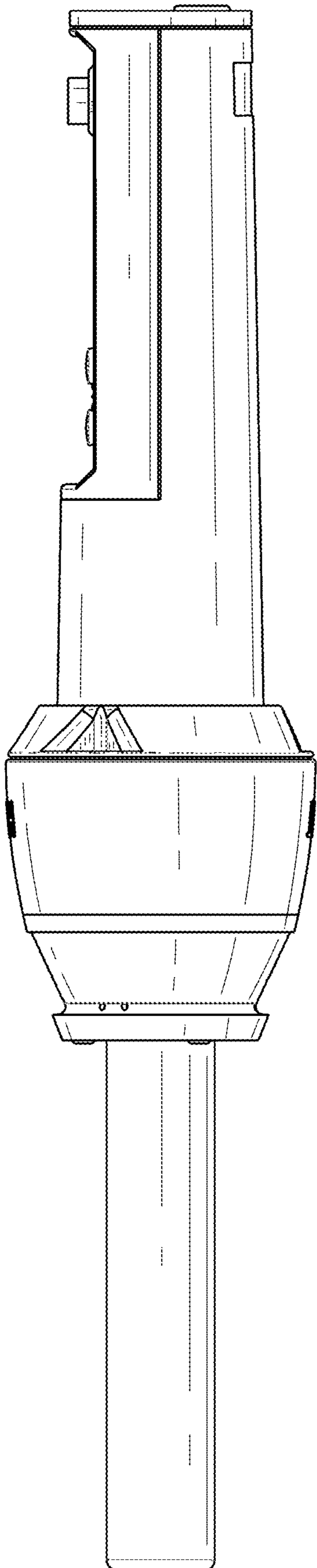


FIG. 4

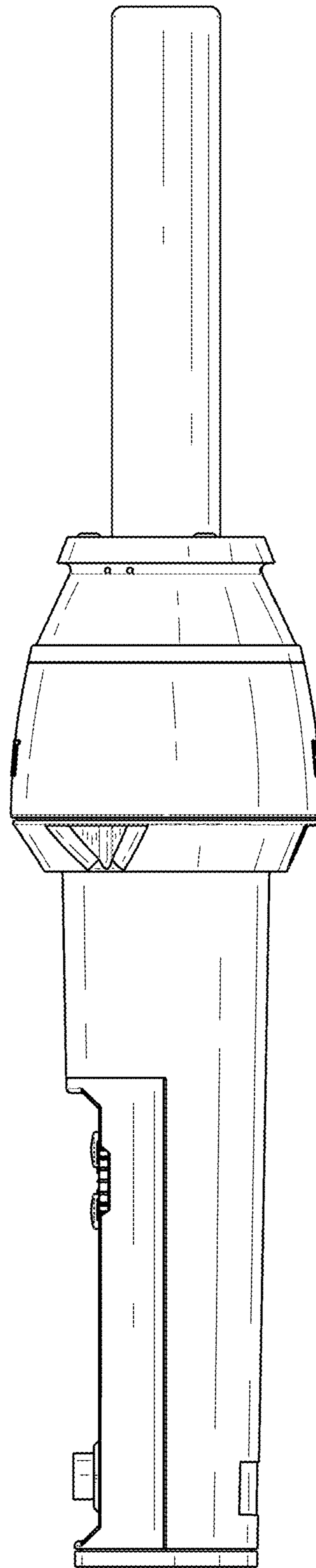


FIG. 5



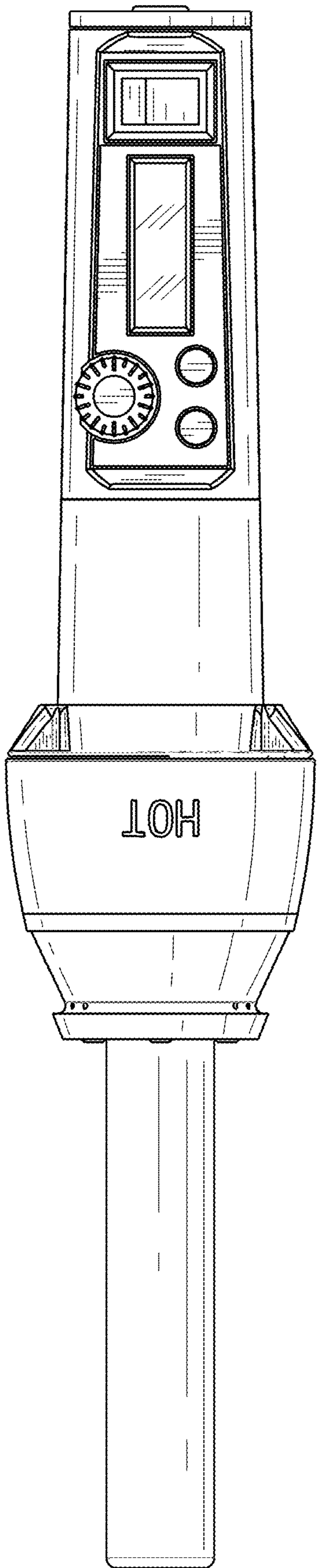


FIG. 6

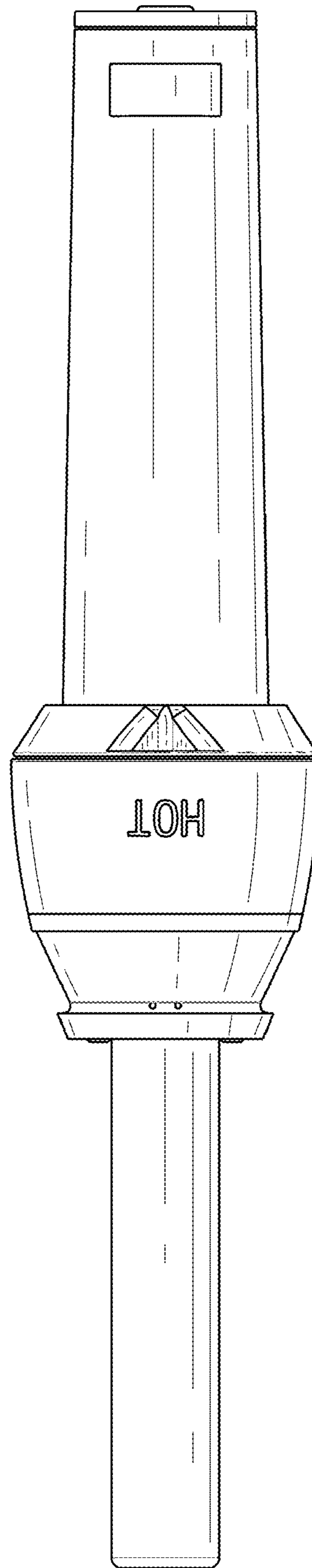


FIG. 7