



US00D905518S

(12) **United States Design Patent** (10) **Patent No.:** **US D905,518 S**
Arsenault et al. (45) **Date of Patent:** **** Dec. 22, 2020**

(54) **HANDLE WITH HOOK**
(71) Applicants: **Charlie Arsenault**, Rexton (CA);
Kevin Falconer, Cambridge (CA)
(72) Inventors: **Charlie Arsenault**, Rexton (CA);
Kevin Falconer, Cambridge (CA)
(**) Term: **15 Years**

D311,311 S * 10/1990 Metzger D8/107
D325,688 S * 4/1992 Schreib 294/104
D327,614 S * 7/1992 Banks D8/107
D459,959 S * 7/2002 Fetterman D8/14
D623,489 S * 9/2010 Powell D8/14
D623,910 S * 9/2010 Botkin D8/14
D665,641 S * 8/2012 Raleigh D34/10
D722,255 S * 2/2015 Daudelin D8/14
D877,585 S * 3/2020 Jensen D8/44
2004/0217609 A1 * 11/2004 Freiling B65G 7/12
294/26

(21) Appl. No.: **29/685,692**
(22) Filed: **Mar. 29, 2019**
(51) **LOC (12) Cl.** **08-05**
(52) **U.S. Cl.**
USPC **D8/14**
(58) **Field of Classification Search**
USPC D8/14, 51, 105, 107, 300
CPC . A63B 47/02; B63B 21/54; B25J 1/04; B65G
7/12
See application file for complete search history.

* cited by examiner

Primary Examiner — Philip S Hyder
(74) *Attorney, Agent, or Firm* — US IP Attorneys, P.C.;
Timothy Marc Shropshire

(57) **CLAIM**

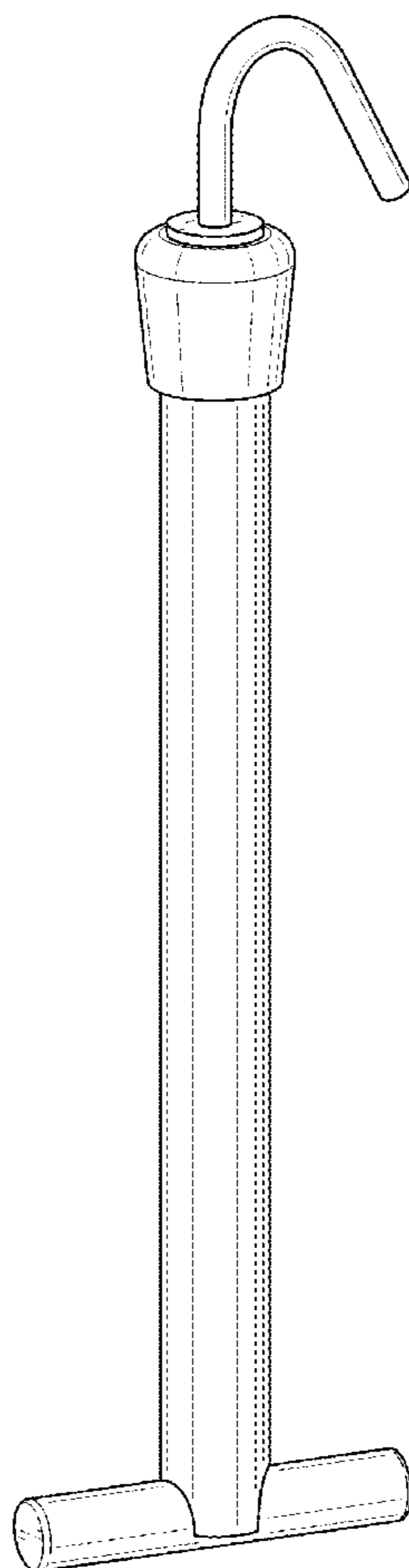
The ornamental design for a handle with hook, as shown and described.

DESCRIPTION

FIG. 1 is a front perspective view of a handle with hook showing our new design;
FIG. 2 is a front elevational view thereof; and,
FIG. 3 is a top plan view thereof.
The front elevational view is a mirror image of the rear.

(56) **References Cited**
U.S. PATENT DOCUMENTS
3,029,503 A * 4/1962 Meyer B25B 27/06
29/283
4,023,844 A * 5/1977 Roberts A01M 31/00
294/26

1 Claim, 2 Drawing Sheets



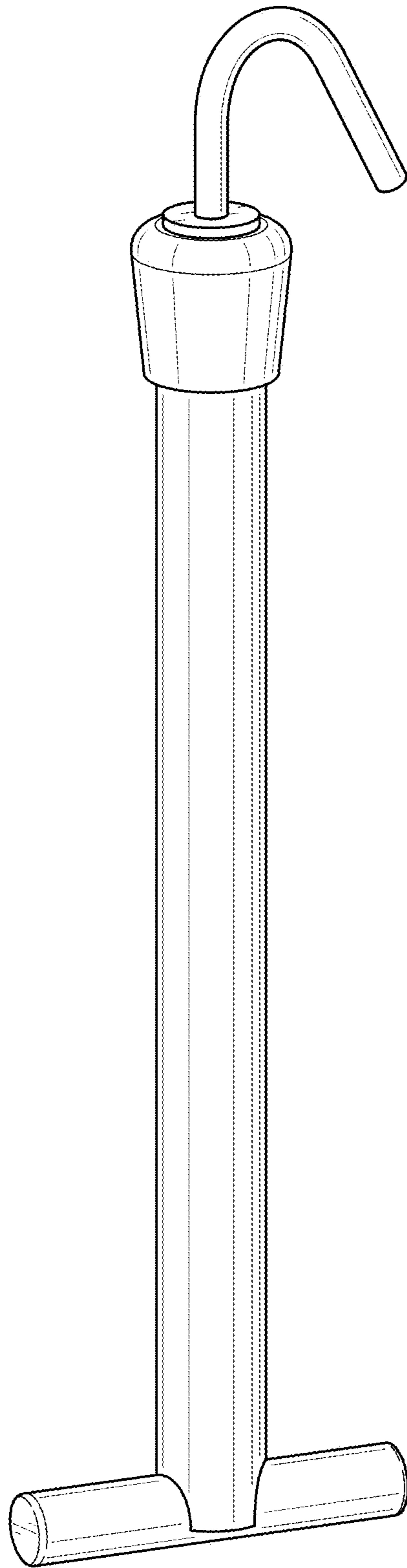


FIG. 1

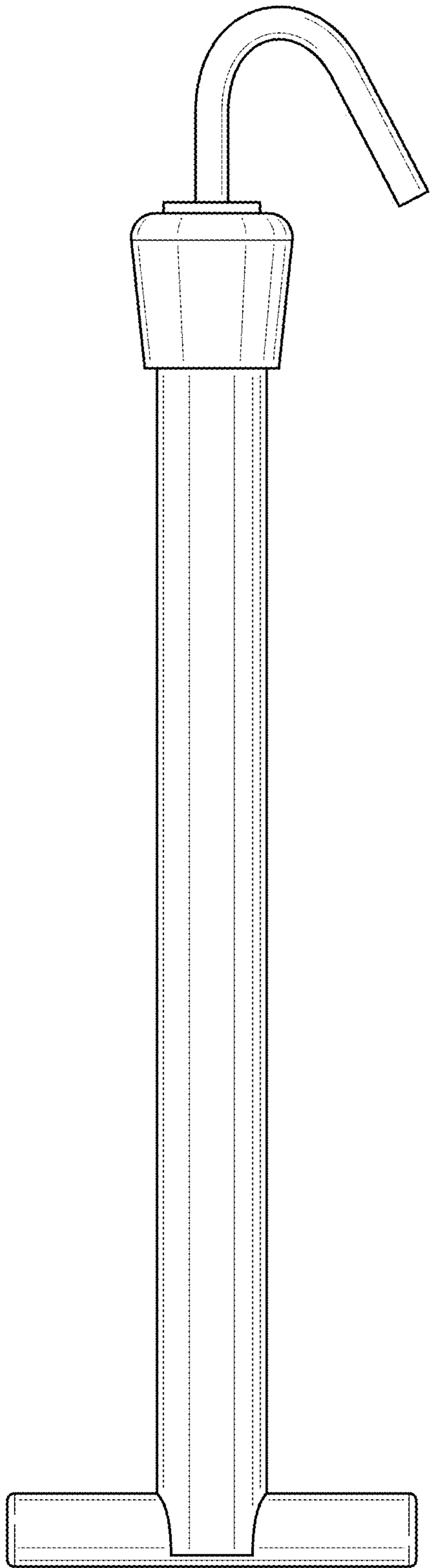


FIG. 2

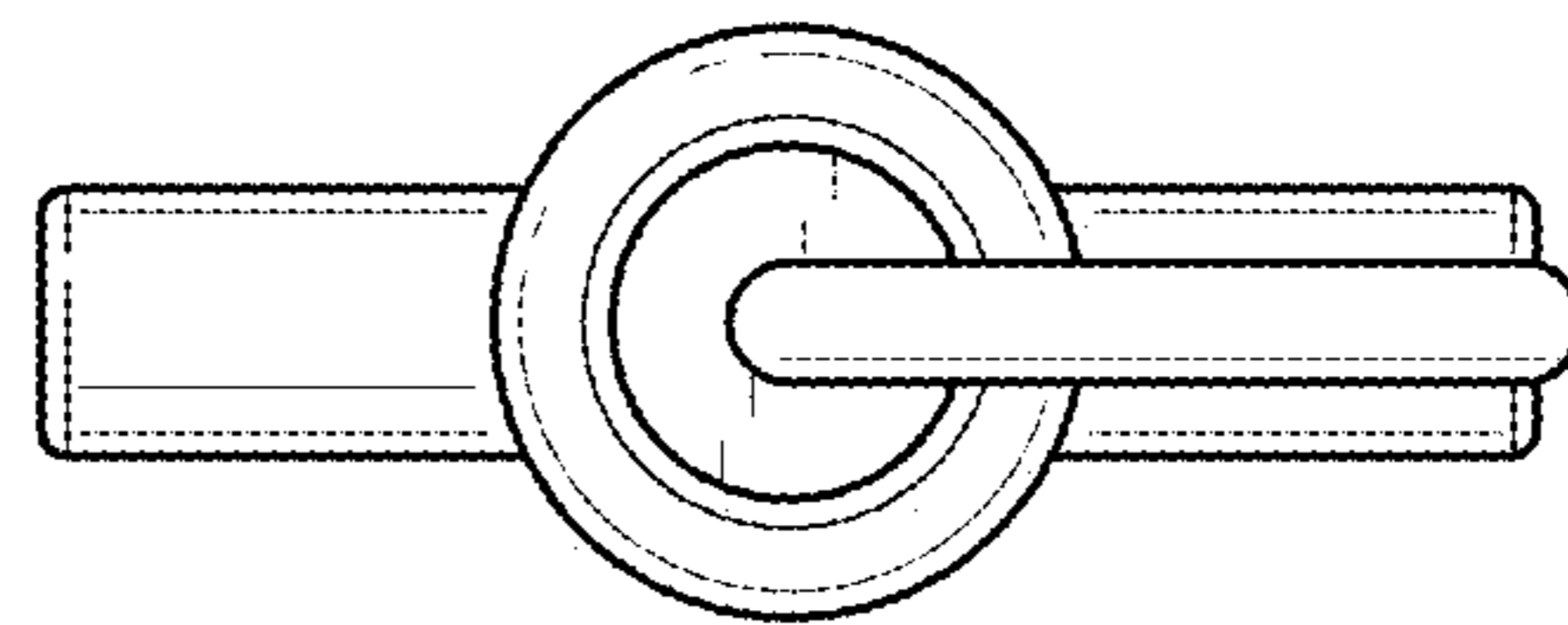


FIG. 3