



US00D905516S

(12) **United States Design Patent**
Thorn

(10) **Patent No.:** **US D905,516 S**

(45) **Date of Patent:** **** Dec. 22, 2020**

- (54) **FORK** 6,076,614 A * 6/2000 Gracy A01B 1/04
172/379
- (71) Applicant: **Oakthrift Corporation Ltd,** D429,977 S * 8/2000 Claxton D8/13
Borehamwood (GB) D430,464 S * 9/2000 Claxton A01B 1/026
D8/13
- (72) Inventor: **James John Thorn,** Borehamwood D434,288 S * 11/2000 Todd D8/10
(GB) D565,367 S * 4/2008 Buscher A01B 1/04
D8/13
- (**) Term: **15 Years** D617,159 S * 6/2010 Blanchard A01B 1/02
D8/10

(21) Appl. No.: **29/679,081**

(22) Filed: **Feb. 1, 2019**

(51) **LOC (12) Cl.** **08-01**

(52) **U.S. Cl.**
USPC **D8/13**

(58) **Field of Classification Search**
USPC D8/1, 7-13, 107, 499
CPC A01B 1/04; A01B 1/02; A01B 1/12; A01B
1/18; A01B 13/00; A01D 34/412; A01D
34/416; A01G 3/00; A01G 3/053; A01G
3/062; A01G 3/0535; B25F 5/02
See application file for complete search history.

(56) **References Cited**

U.S. PATENT DOCUMENTS

- 121,331 A * 11/1871 Calhoun A01B 1/02
294/49
- D161,131 S * 12/1950 Scott D8/13
- 3,014,750 A * 12/1961 Briggs A01B 1/026
294/58

* cited by examiner

Primary Examiner — Sheryl Lane
Assistant Examiner — Calvin E Vansant

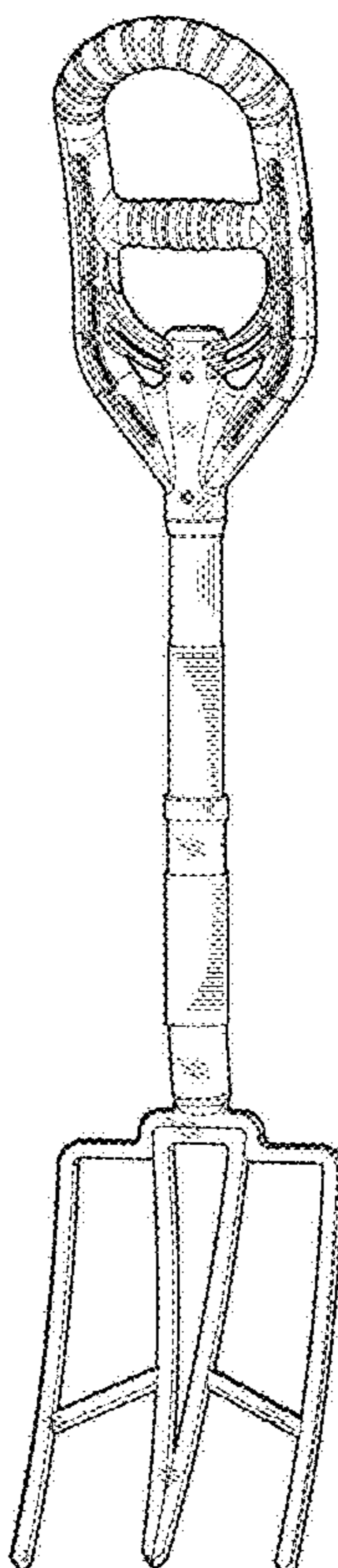
(57) **CLAIM**

The ornamental design for a fork, as shown and described.

DESCRIPTION

FIG. 1 is a right side elevation view of a fork, showing my new design;
FIG. 2 is a front elevation view thereof;
FIG. 3 is a bottom view thereof;
FIG. 4 is a top view thereof;
FIG. 5 is a left side elevation view thereof;
FIG. 6 is a rear elevation view thereof;
FIG. 7 is rear perspective view thereof; and,
FIG. 8 is a front perspective view thereof.

1 Claim, 7 Drawing Sheets



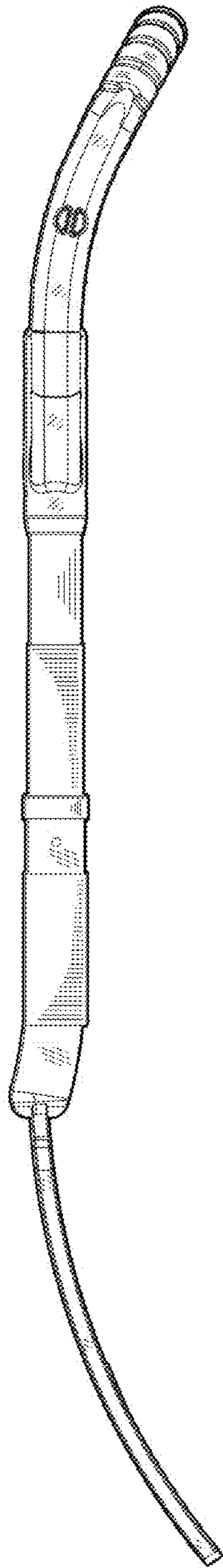


FIG 1

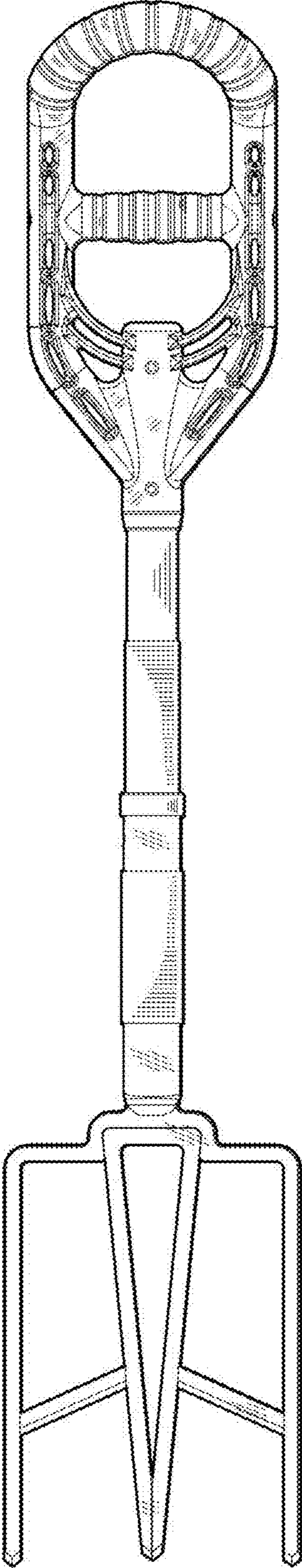


FIG 2

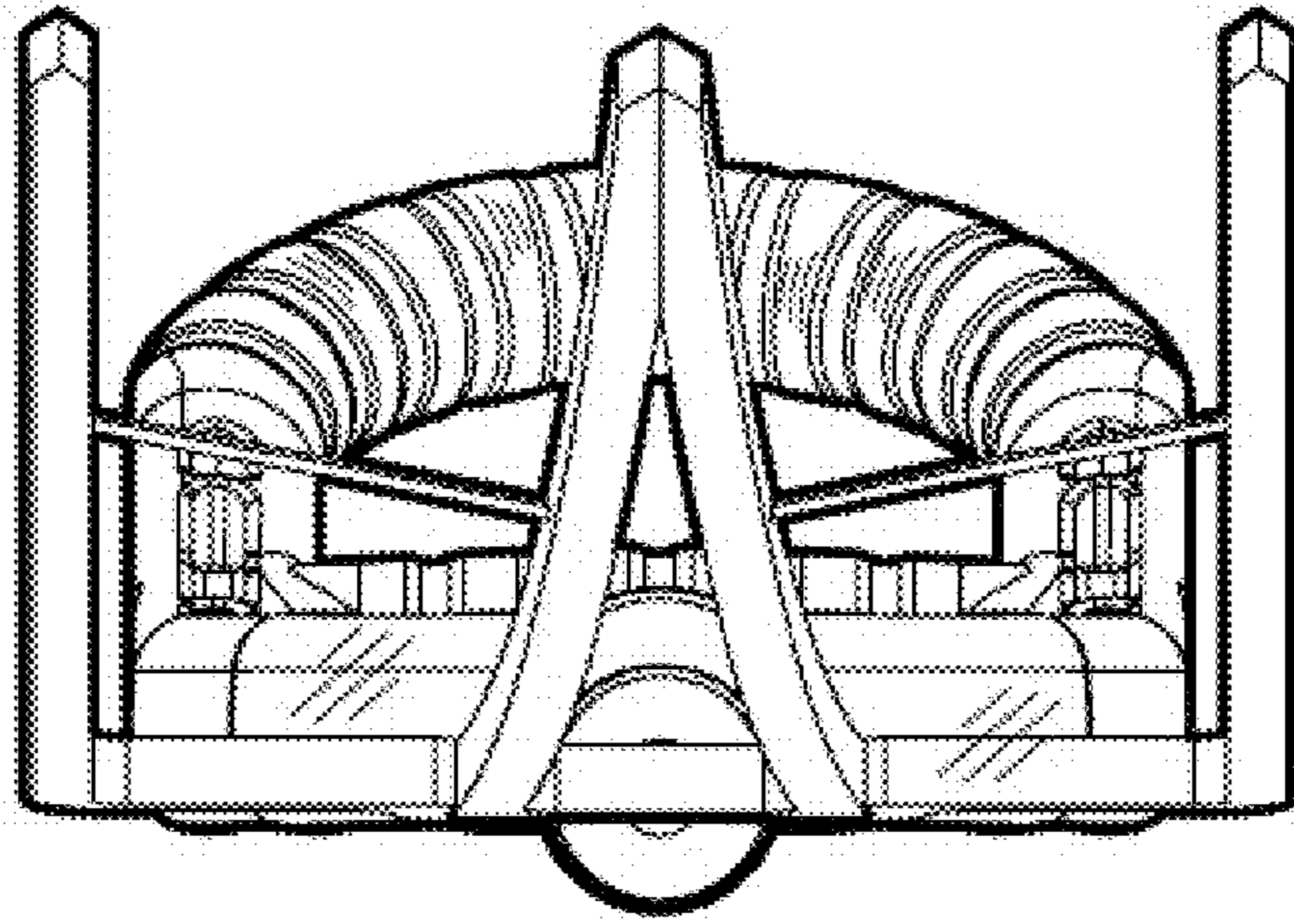


FIG 3

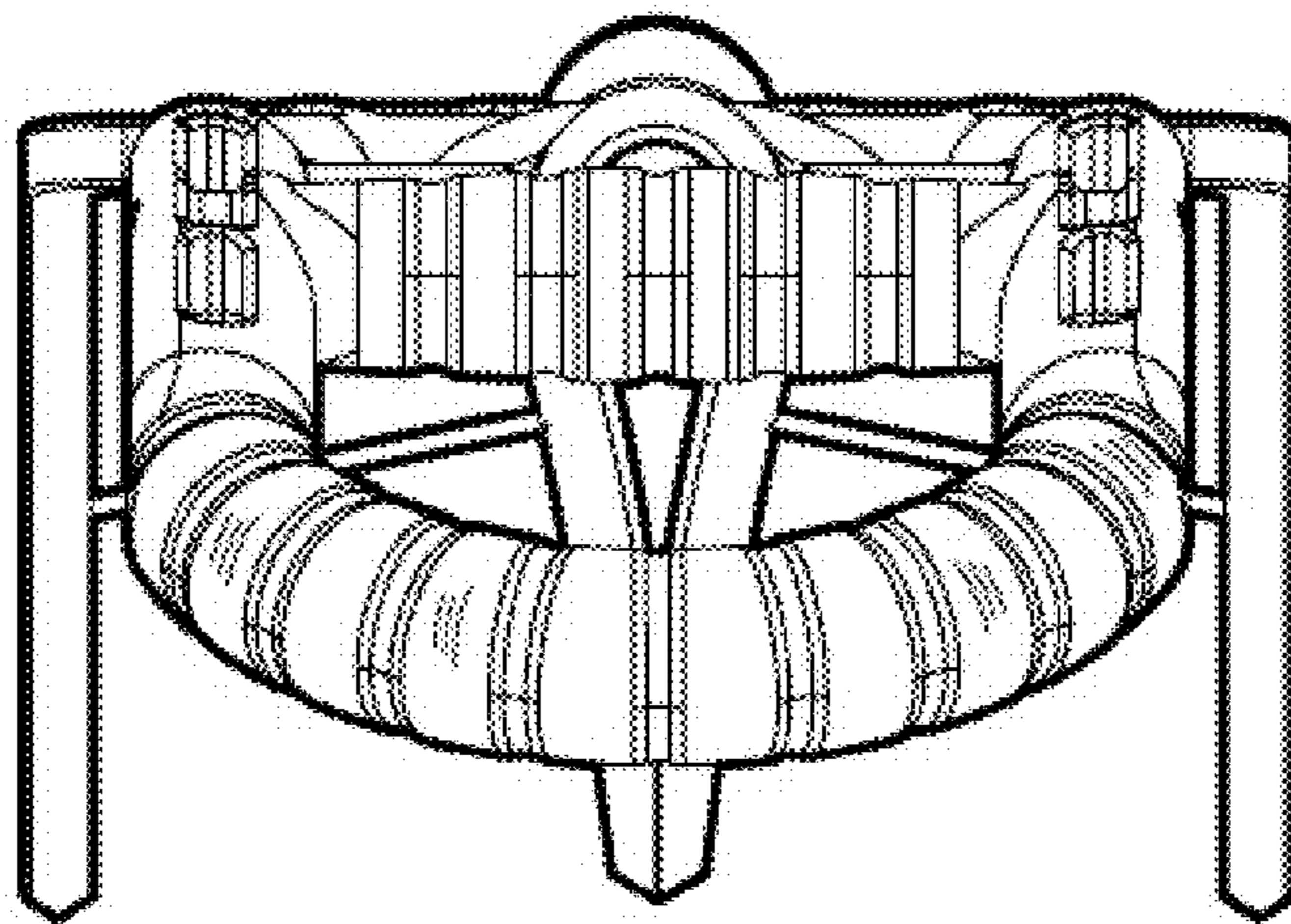


FIG 4

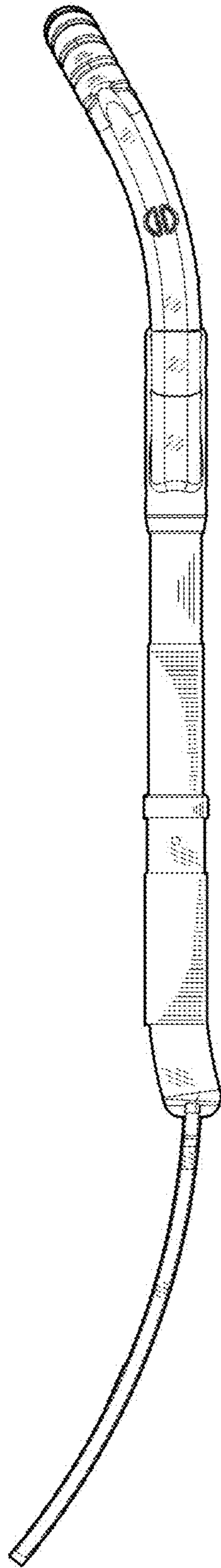


FIG 5

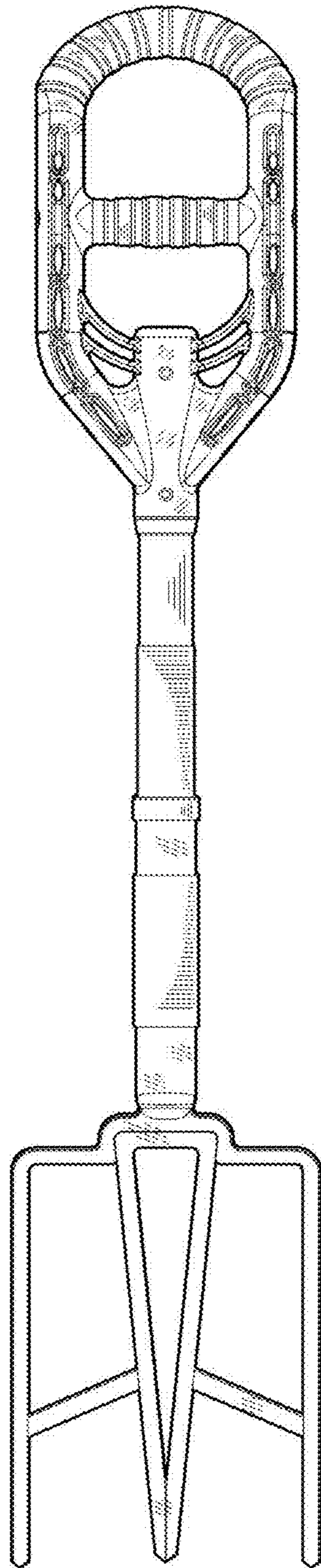


FIG 6

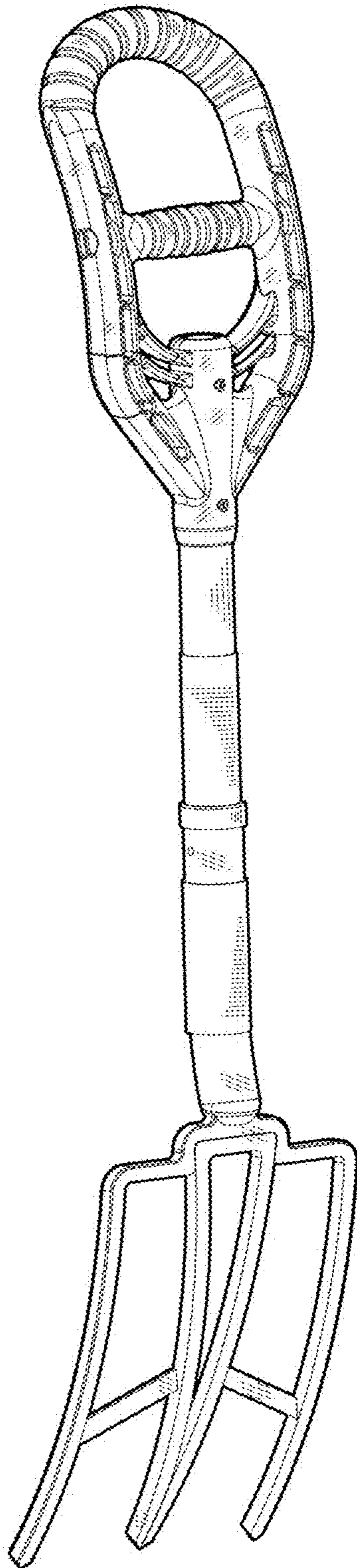


FIG 7

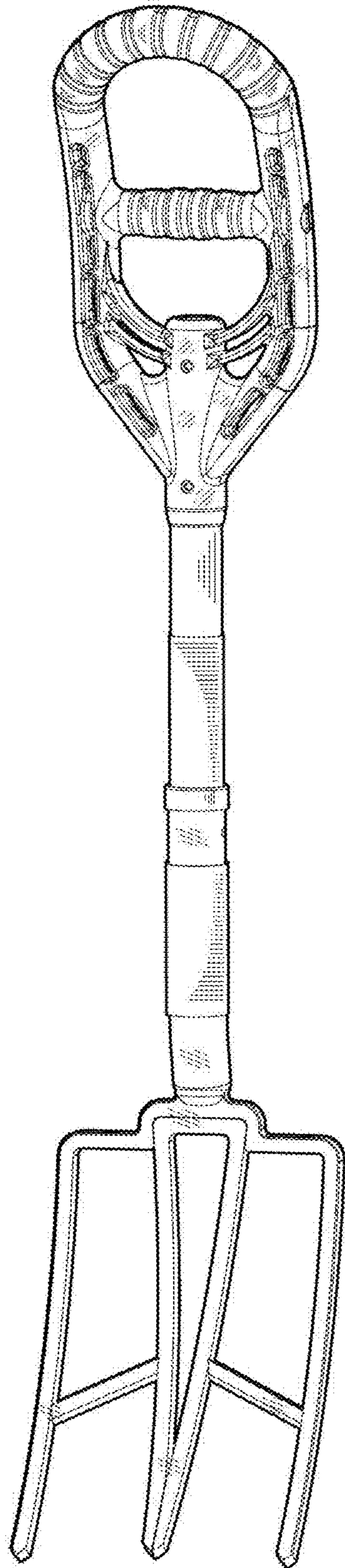


FIG 8