

US00D905515S

(12) **United States Design Patent** (10) **Patent No.:** **US D905,515 S**  
**Nieters** (45) **Date of Patent:** **\*\* Dec. 22, 2020**

(54) **COMBINATION TWO-IN-ONE SNOW SHOVEL AND SCRAPER WITH MOVABLE SHOVEL HEAD**

**DESCRIPTION**

(71) Applicant: **Ryan Nieters**, New Richmond, WI (US)  
(72) Inventor: **Ryan Nieters**, New Richmond, WI (US)  
(73) Assignee: **Gizmo Tek, LLC**, New Richmond, WI (US)  
(\*\*) Term: **15 Years**  
(21) Appl. No.: **29/645,761**  
(22) Filed: **Apr. 29, 2018**  
(51) **LOC (12) Cl.** ..... **08-01**  
(52) **U.S. Cl.**  
USPC ..... **D8/10**  
(58) **Field of Classification Search**  
USPC ..... D8/1, 7, 10, 107, 303, 307, 315, 317,  
D8/322; D21/483, 532

FIG. 1 is a front view of the combination two-in-one snow shovel and scraper with movable shovel head in the first configuration.  
FIG. 2 is a perspective view of the combination two-in-one snow shovel and scraper with movable shovel head in the first configuration.  
FIG. 3 is a perspective view of the combination two-in-one snow shovel and scraper with movable shovel head in the first configuration.  
FIG. 4 is a perspective view of the combination two-in-one snow shovel and scraper with movable shovel head in the first configuration.  
FIG. 5 is a rear view of the combination two-in-one snow shovel and scraper with movable shovel head in the first configuration.  
FIG. 6 is a front view of the combination two-in-one snow shovel and scraper with movable shovel head in the second configuration.  
FIG. 7 is a perspective view of the combination two-in-one snow shovel and scraper with movable shovel head in the second configuration.  
FIG. 8 is a perspective view of the combination two-in-one snow shovel and scraper with movable shovel head in the second configuration.  
FIG. 9 is a perspective view of the combination two-in-one snow shovel and scraper with movable shovel head in the second configuration.  
FIG. 10 is a rear view of the combination two-in-one snow shovel and scraper with movable shovel head in the second configuration; and,  
FIG. 11 is a side view of the combination two-in-one snow shovel and scraper with movable shovel head in the first configuration.  
The broken lines in the drawings illustrate portions of the combination two-in-one snow shovel and scraper with movable shovel head and form no part of the claimed design.

(Continued)

(56) **References Cited**

**U.S. PATENT DOCUMENTS**

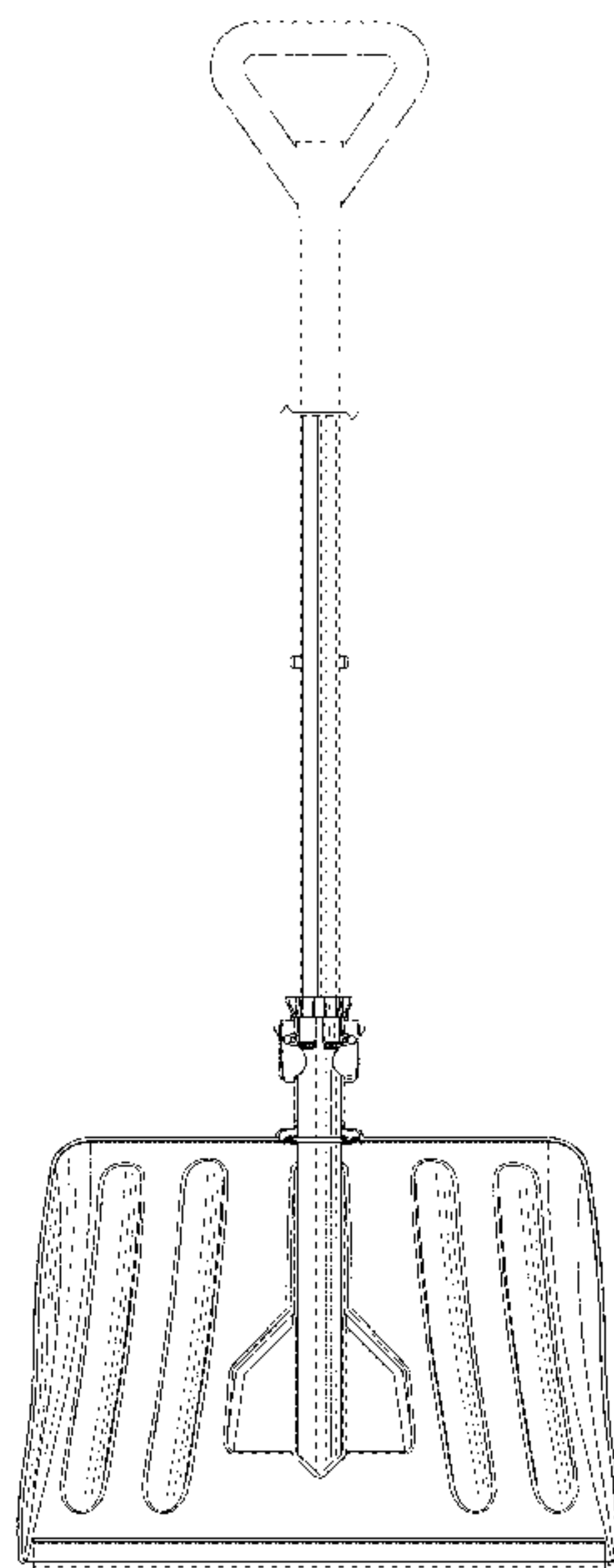
5,826,929 A \* 10/1998 Tisbo ..... E01H 5/02  
294/54.5  
D417,825 S \* 12/1999 Tisbo ..... D8/10  
(Continued)

*Primary Examiner* — Sandra Snapp  
*Assistant Examiner* — Ieisha N Price  
(74) *Attorney, Agent, or Firm* — Ryan Nieters

(57) **CLAIM**

The ornamental design for a combination two-in-one snow shovel and scraper with movable shovel head, as shown and described.

**1 Claim, 11 Drawing Sheets**



(58) **Field of Classification Search**

CPC .... E01H 5/00; E01H 5/02; E01H 5/12; A01B  
1/00; A01B 1/02; A01B 1/022; A01B  
1/16; A01B 1/026; A01B 1/22; B25G  
1/00; B25G 1/04; B25G 1/102; Y10T  
16/4713; Y10T 16/476; Y10T 16/473

See application file for complete search history.

(56) **References Cited**

U.S. PATENT DOCUMENTS

7,118,145 B1 \* 10/2006 Rosine ..... B25G 1/01  
294/57  
D708,495 S \* 7/2014 Stein ..... D8/10  
D788,551 S \* 6/2017 Blouin ..... D8/10  
D814,255 S \* 4/2018 Thuma ..... D8/10  
2005/0242598 A1 \* 11/2005 Pin ..... A01B 1/026  
294/58  
2014/0217759 A1 \* 8/2014 Uffner ..... E01H 5/12  
294/51  
2017/0362789 A1 \* 12/2017 Lovell ..... F16B 7/042  
2018/0087229 A1 \* 3/2018 French ..... E01H 5/02

\* cited by examiner

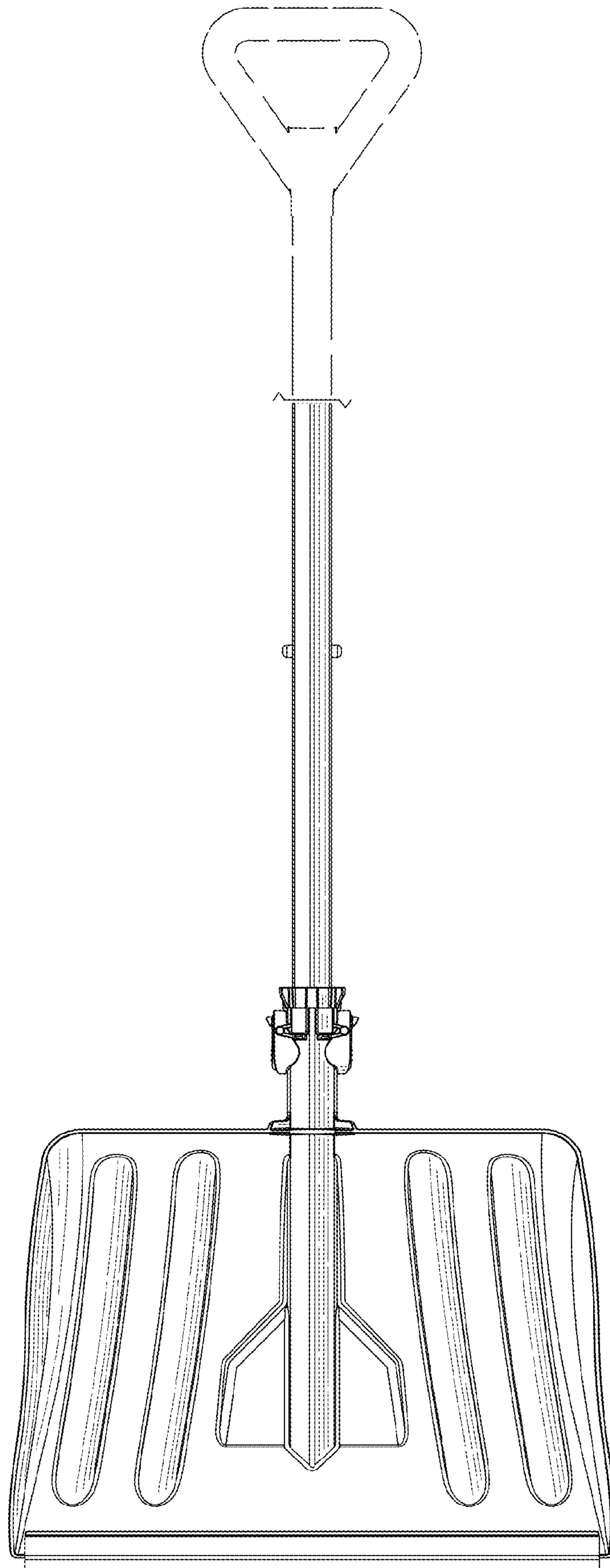


Fig. 1

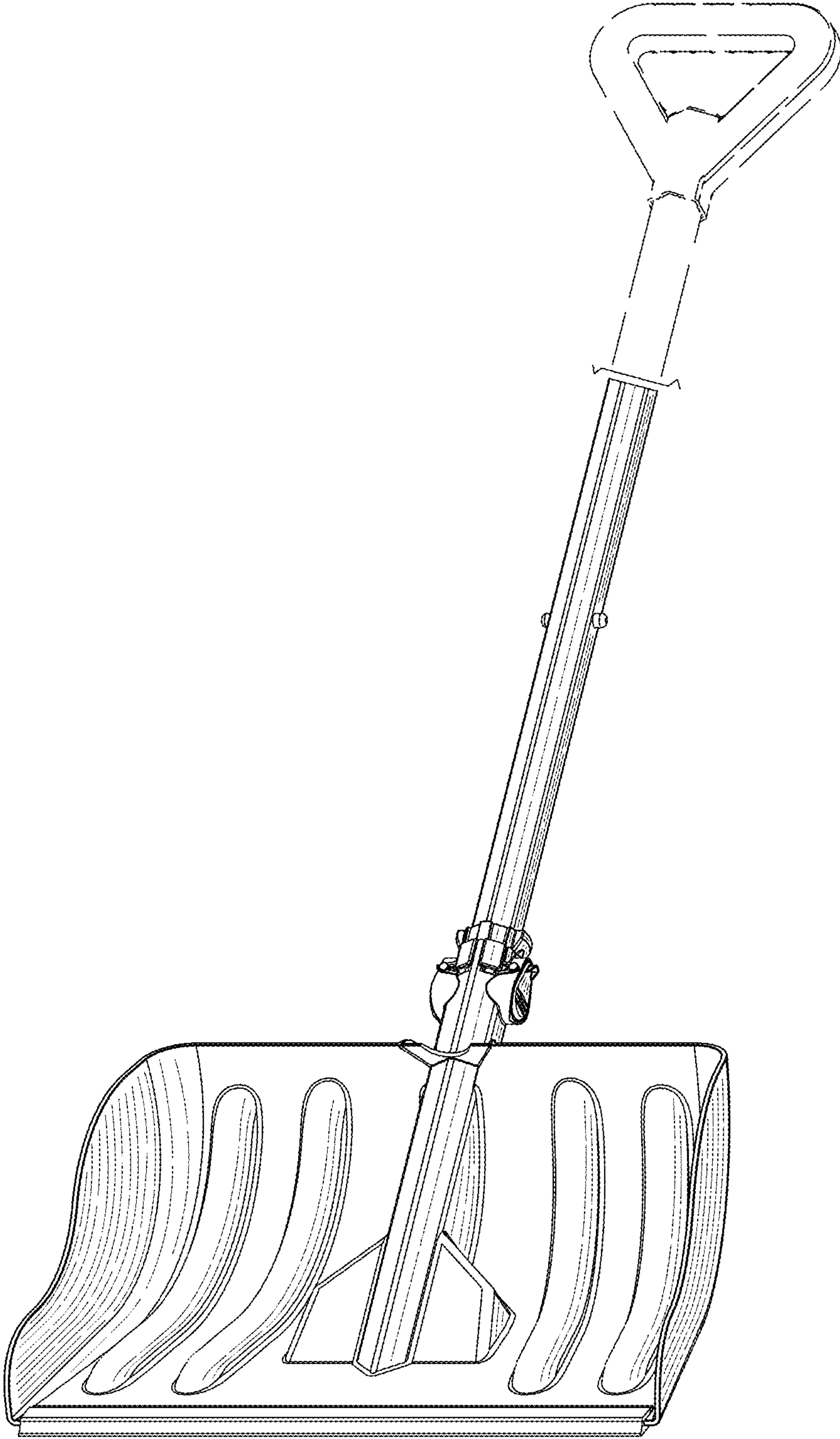


Fig. 2



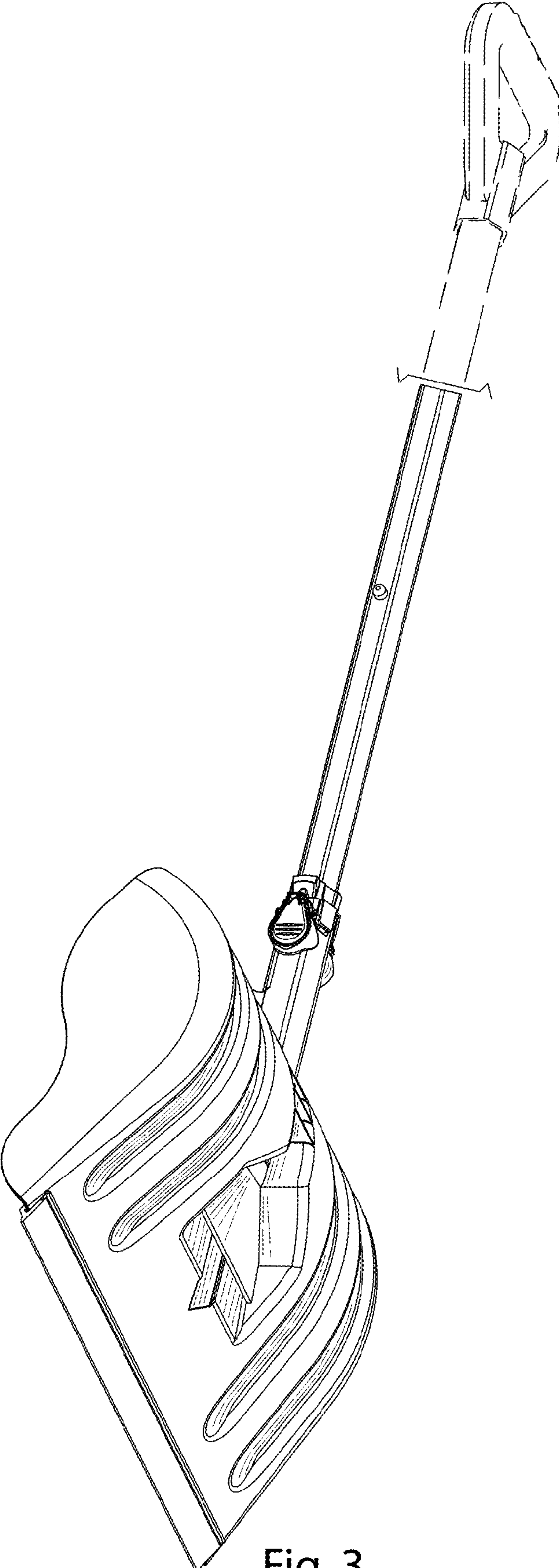


Fig. 3

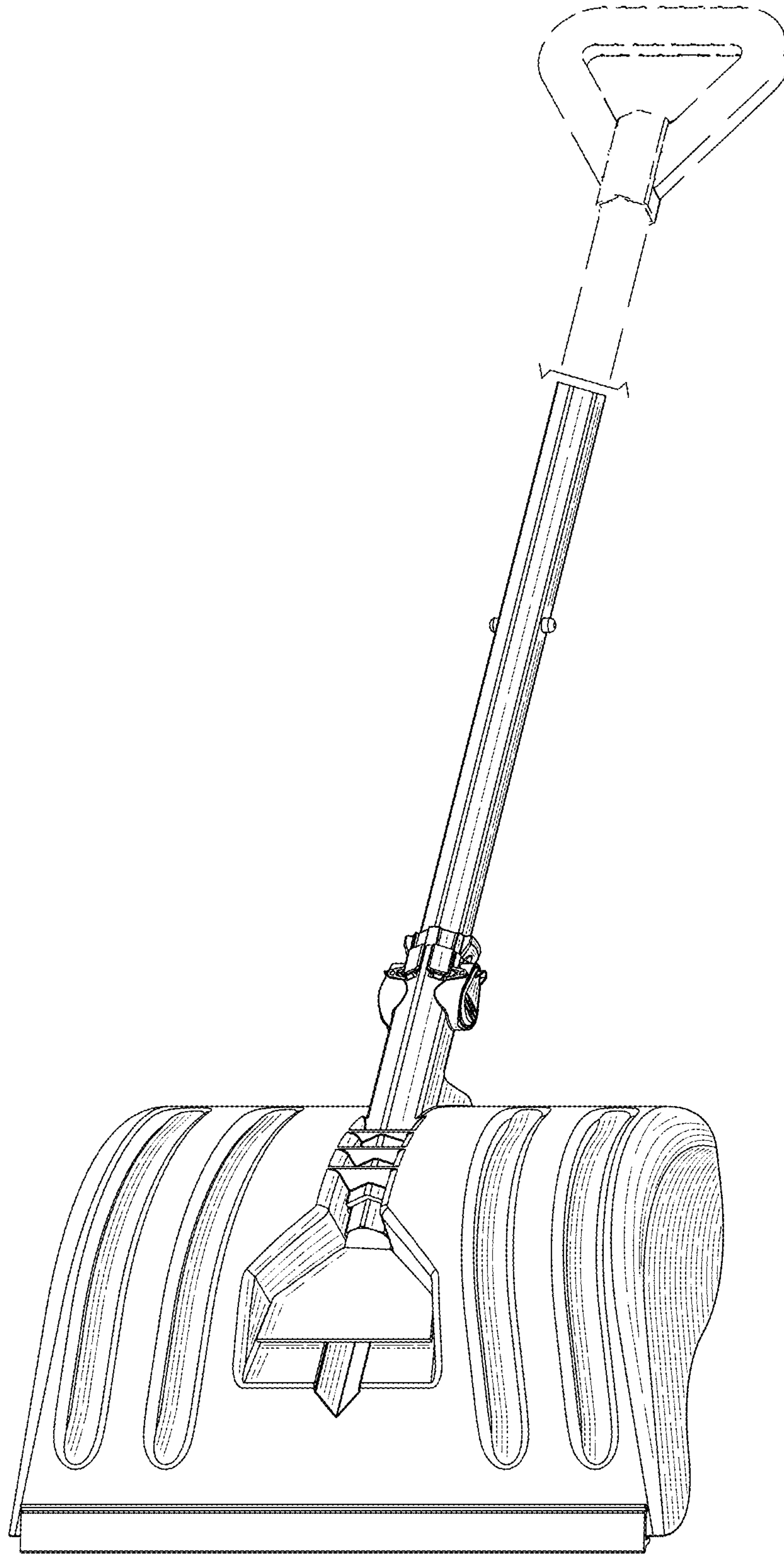


Fig. 4

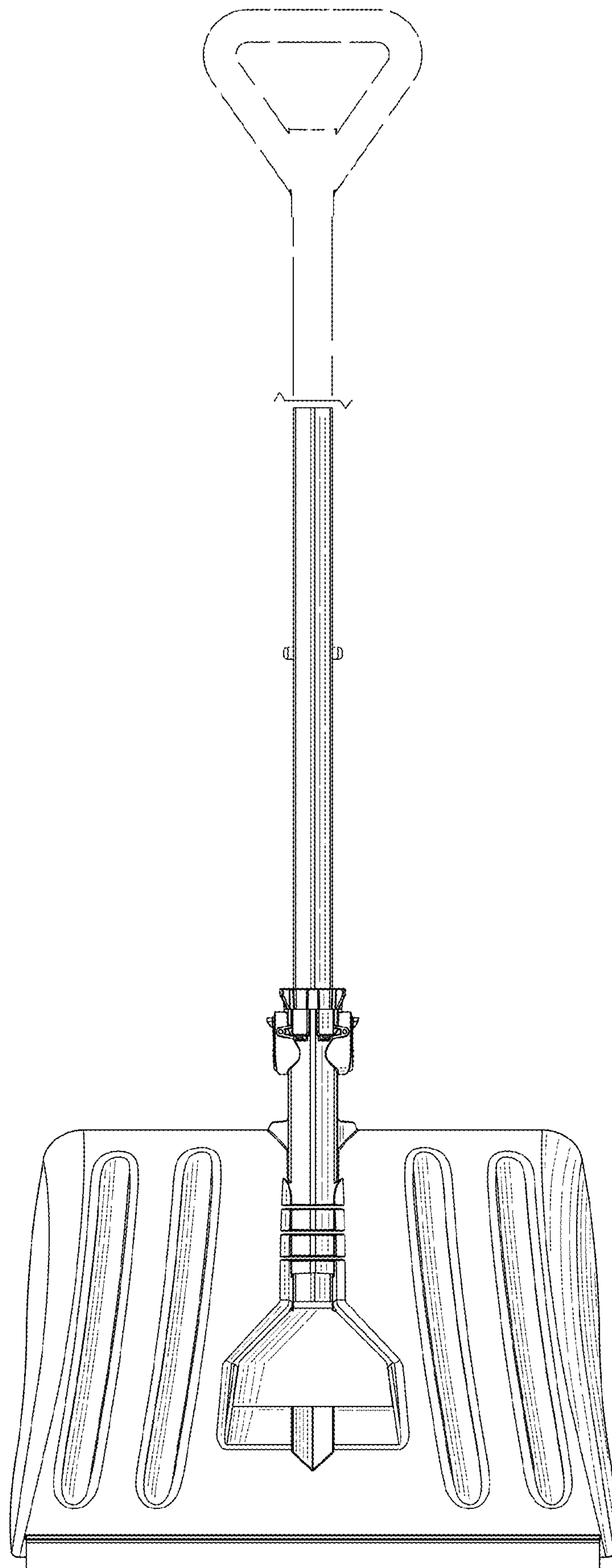


Fig. 5

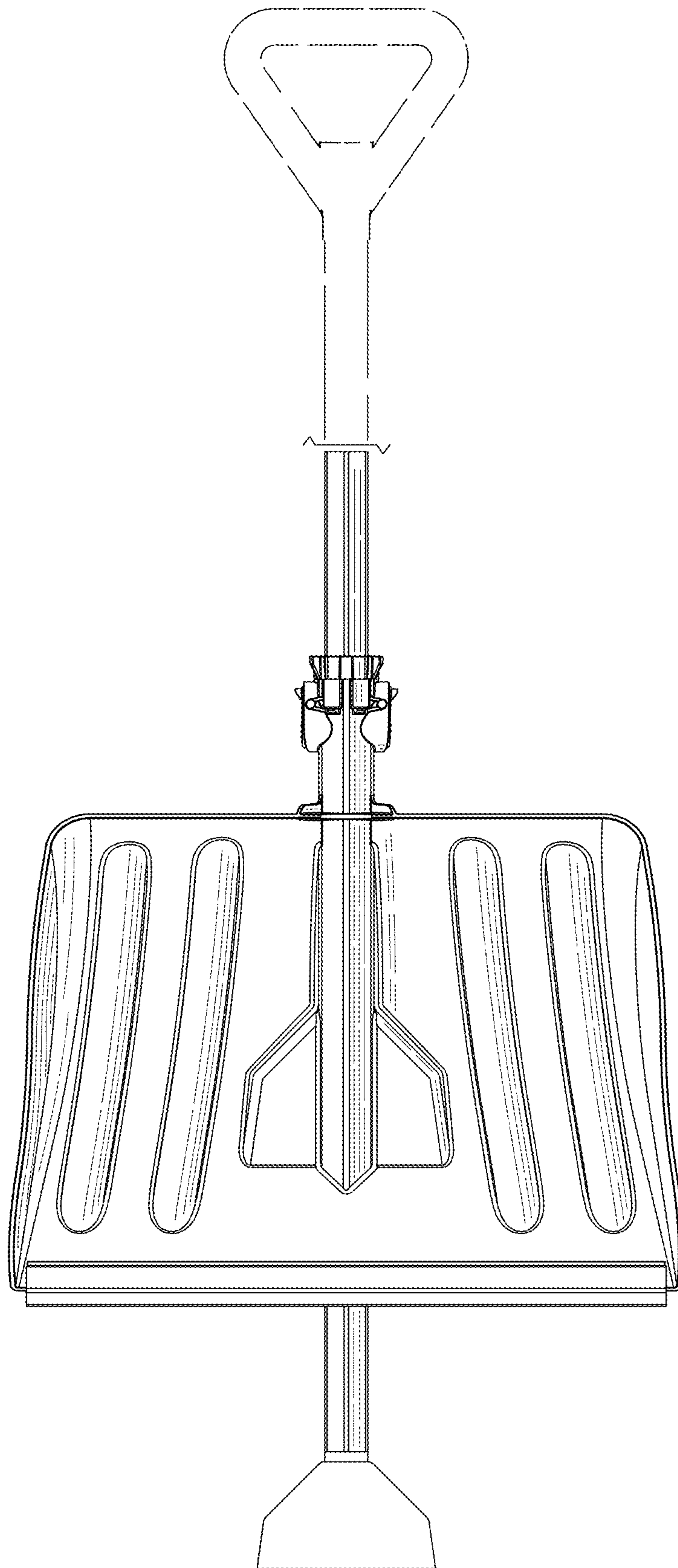


Fig. 6



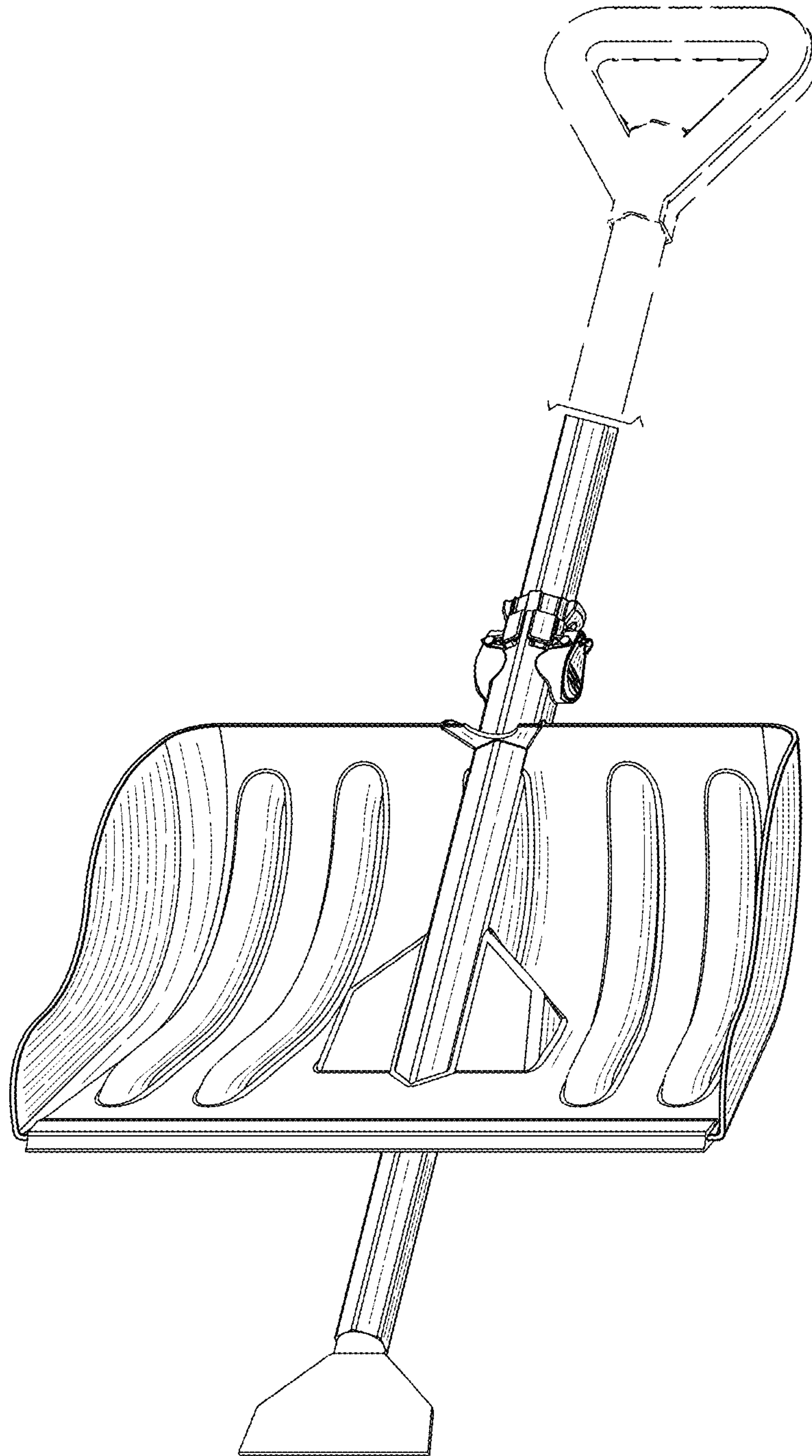


Fig. 7

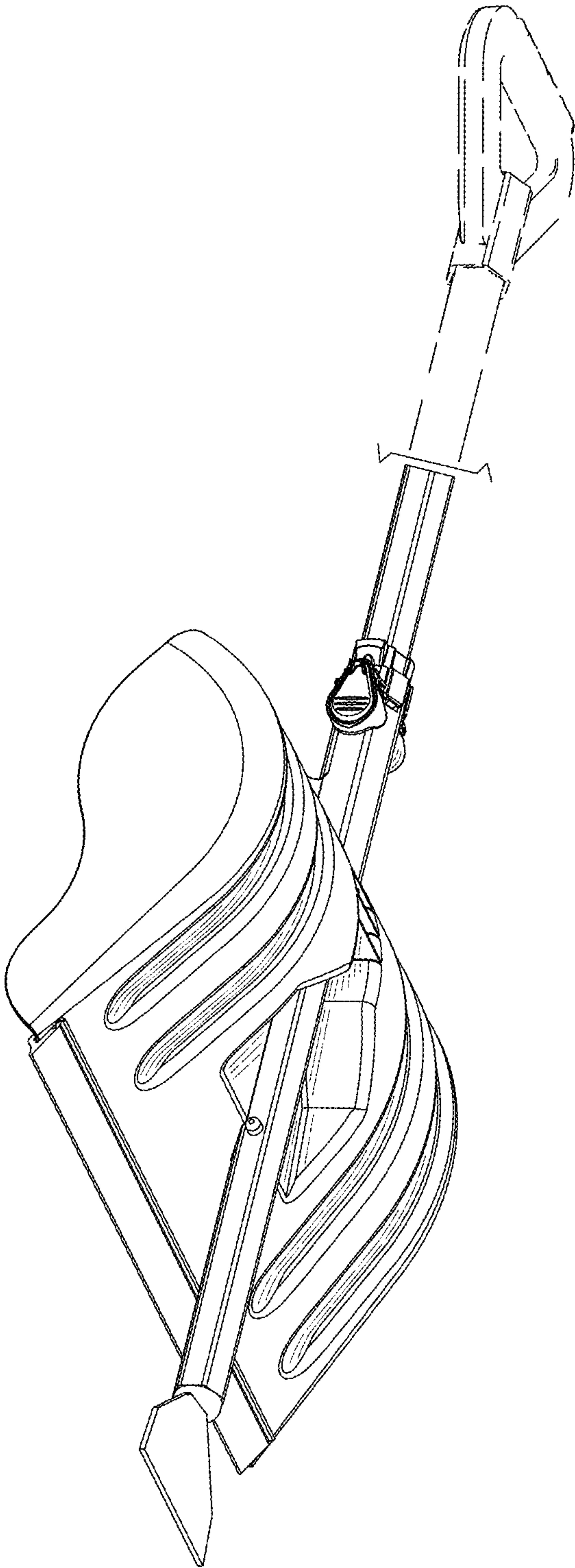


Fig. 8

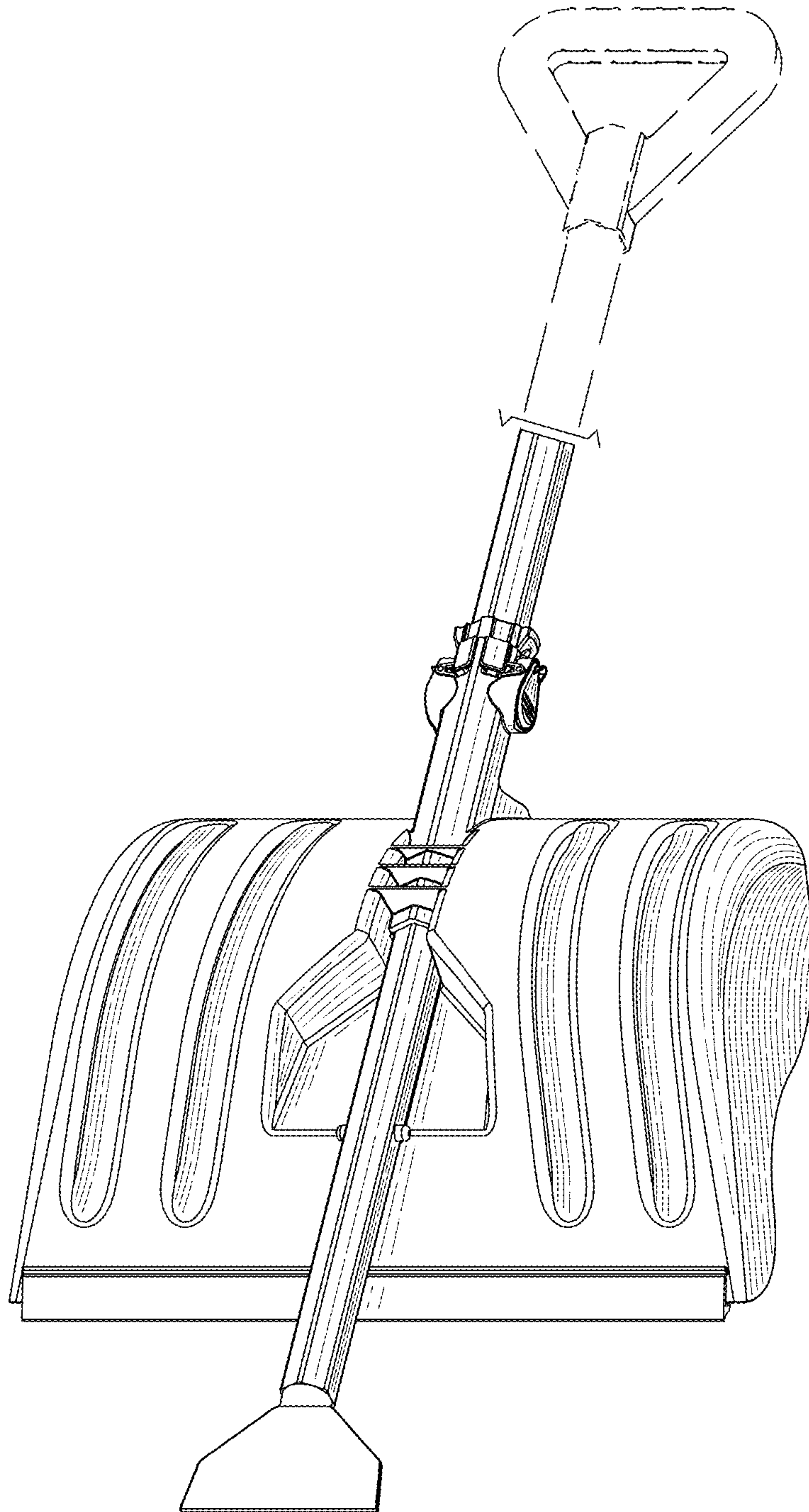


Fig. 9

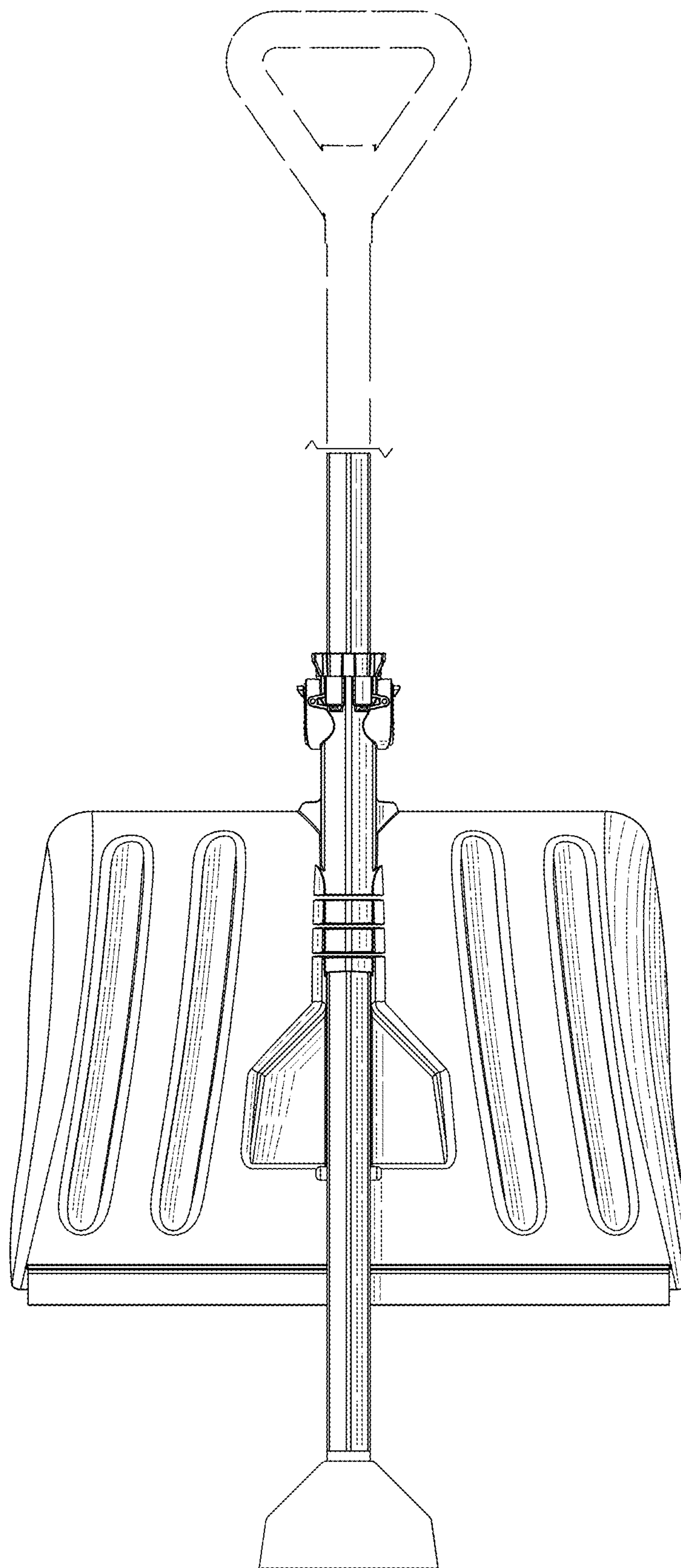


Fig. 10

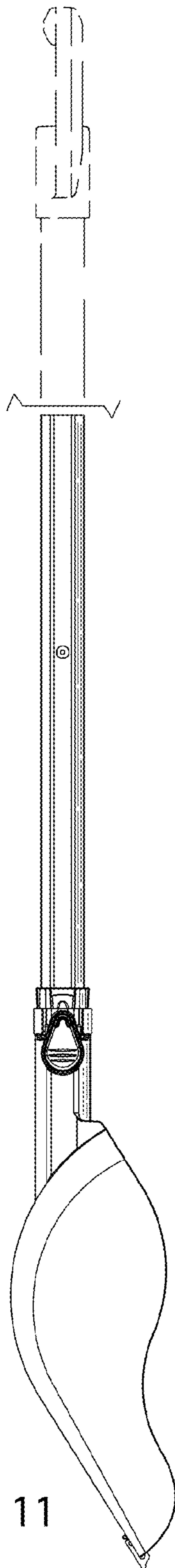


Fig. 11