



US00D905514S

(12) **United States Design Patent**
Sanders

(10) **Patent No.:** **US D905,514 S**

(45) **Date of Patent:** **** Dec. 22, 2020**

(54) **GUN DECANTER HOLDER**

(71) Applicant: **Mark Sanders**, Brooklyn, NY (US)

(72) Inventor: **Mark Sanders**, Brooklyn, NY (US)

(73) Assignee: **Mark Sanders LLC**, Brooklyn, NY (US)

(**) Term: **15 Years**

(21) Appl. No.: **29/720,034**

(22) Filed: **Jan. 9, 2020**

(51) **LOC (12) Cl.** **07-06**

(52) **U.S. Cl.**
USPC **D7/701**

(58) **Field of Classification Search**
USPC D7/701-708; D22/108, 199
CPC A47G 23/0641; A47G 23/0216; A47G 23/02; A47G 23/0241; A47G 23/0625; A47G 23/06; A47G 23/0608; A47B 13/16; A47B 73/00; A47B 73/006; F41A 23/16; F41A 23/18; A47F 7/28
See application file for complete search history.

(56) **References Cited**

U.S. PATENT DOCUMENTS

1,340,974 A 5/1920 O'Reilly
2,597,460 A 5/1952 Eberhardt
D231,594 S * 5/1974 Demers D7/701
3,964,613 A 6/1976 Anderson, Jr.

4,807,381 A 2/1989 Southard
4,873,777 A 10/1989 Southard
D313,886 S 1/1991 Southard
5,058,302 A * 10/1991 Minneman F41A 23/18
206/315.11
D342,350 S * 12/1993 Gower D30/133
D387,123 S * 12/1997 Hughes D22/108
D397,403 S * 8/1998 Zebbedies D22/100
D410,383 S 6/1999 Tarashchansky
8,657,127 B2 2/2014 Diaz, Jr. et al.
D710,210 S 8/2014 Tussy
9,228,800 B2 1/2016 Holmes et al.
D817,728 S * 5/2018 Brown D7/701
2010/0126055 A1 5/2010 Potterfield

* cited by examiner

Primary Examiner — Terry A Wallace

(57) **CLAIM**

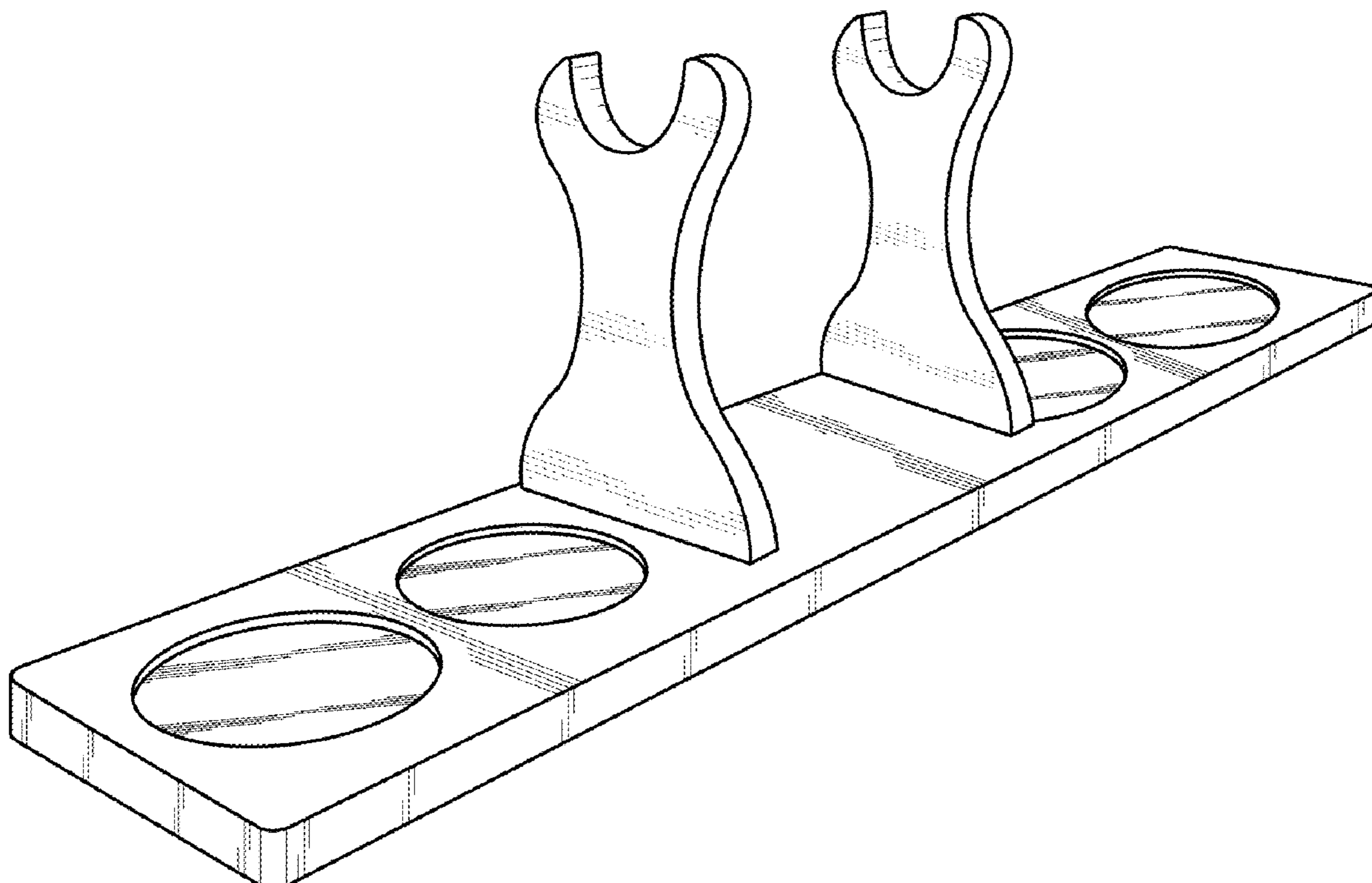
The ornamental design for a gun decanter holder, as shown and described.

DESCRIPTION

FIG. 1. is a functional view thereof;
FIG. 2. is a perspective view thereof;
FIG. 3. is a front view thereof;
FIG. 4. is a rear view thereof;
FIG. 5. is a left side view thereof;
FIG. 6. is a right side view thereof;
FIG. 7. is a top view thereof; and,
FIG. 8. is a bottom view thereof.

The features shown in the phantom are for environmental purposes only and do not form a part of the claimed design.

1 Claim, 8 Drawing Sheets



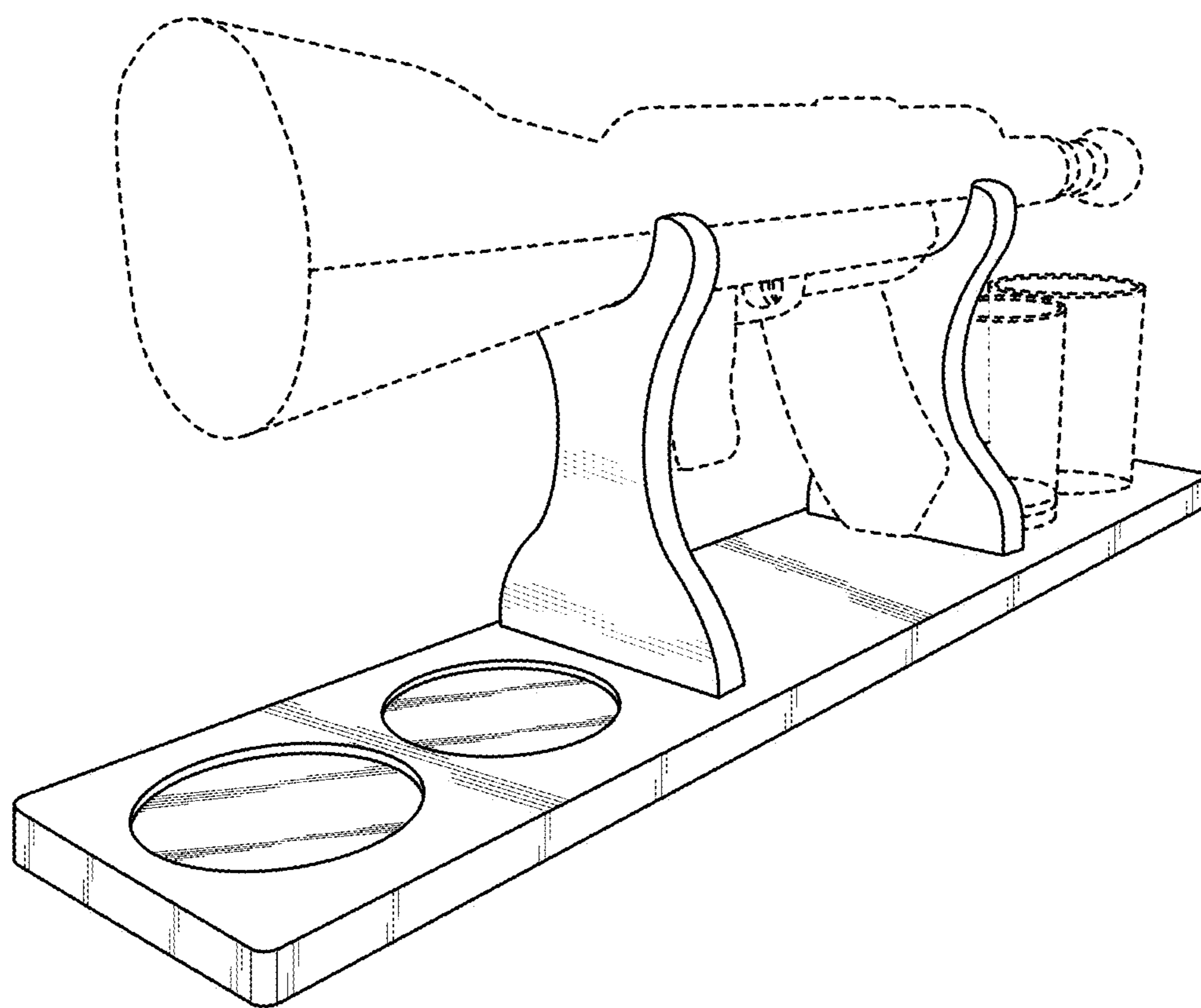


FIG. 1

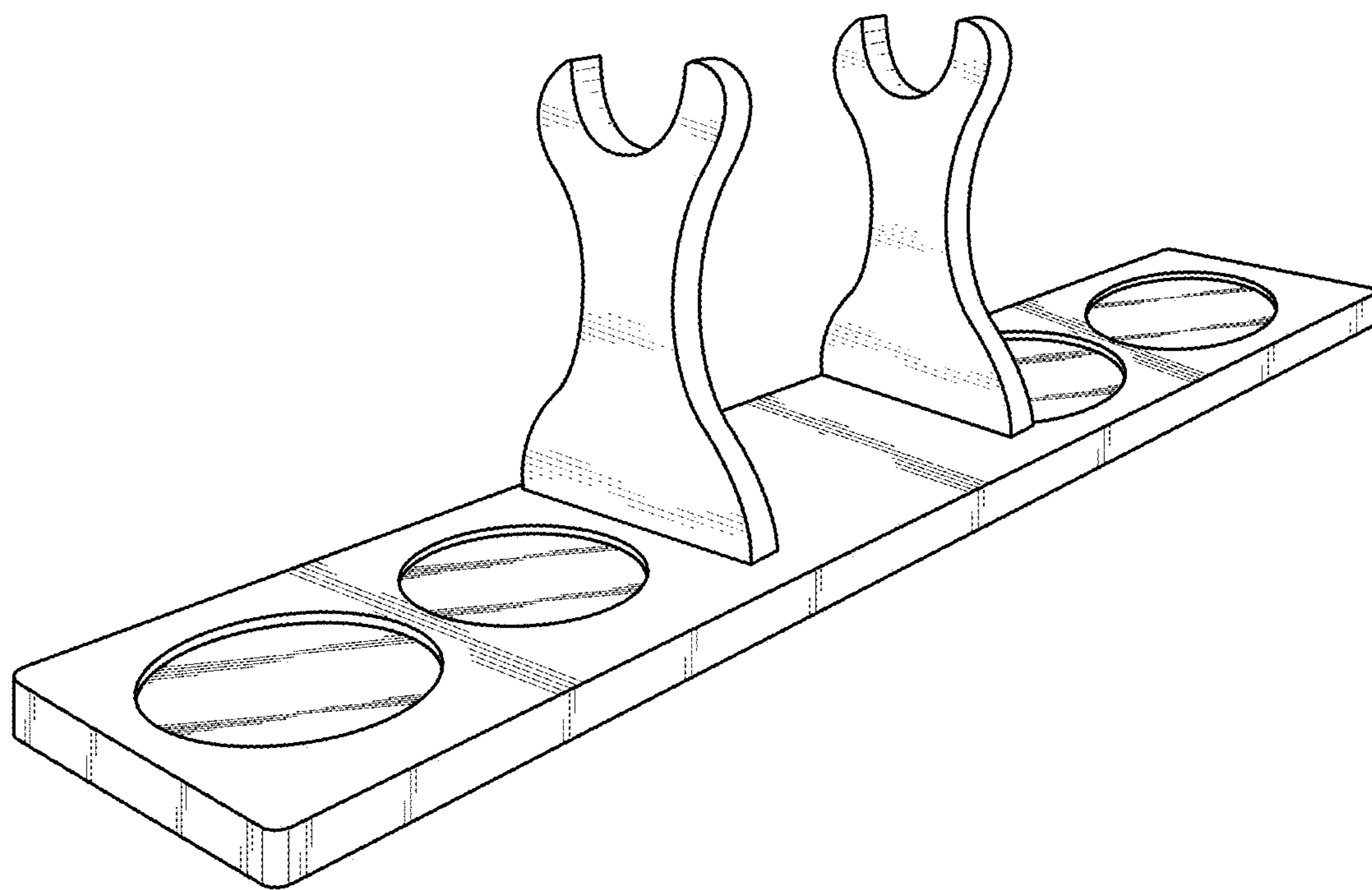


FIG. 2

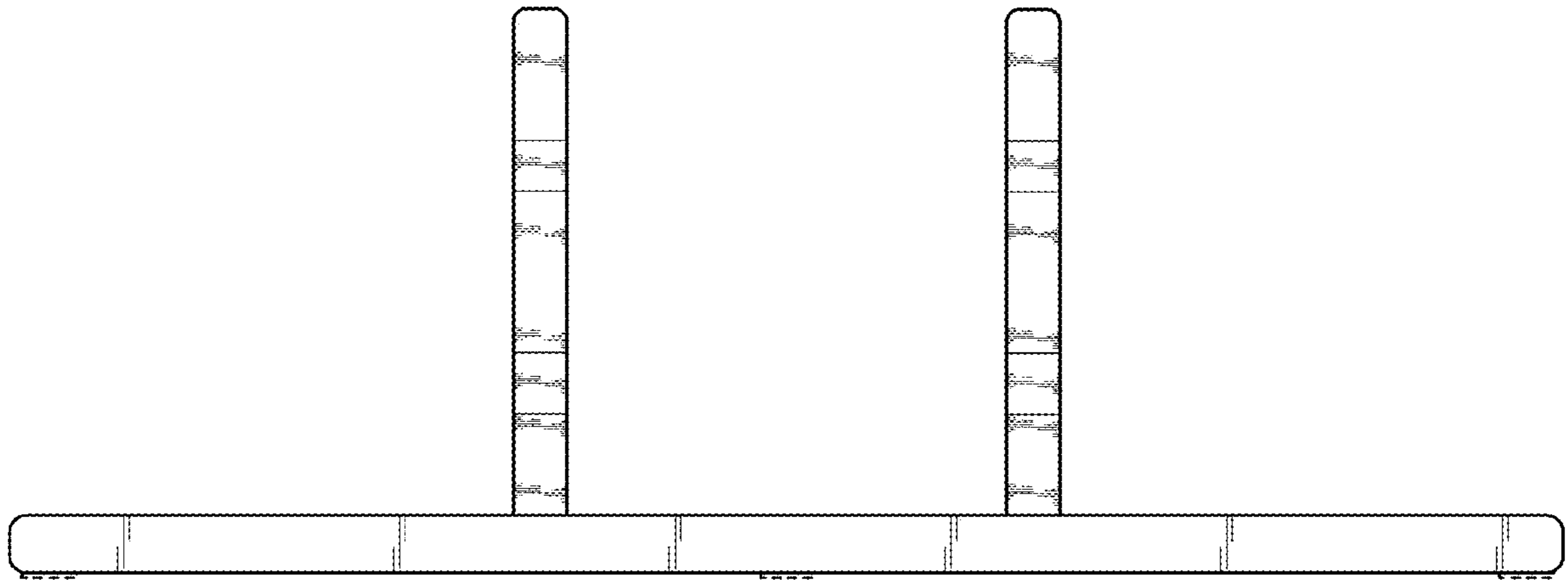


FIG. 3

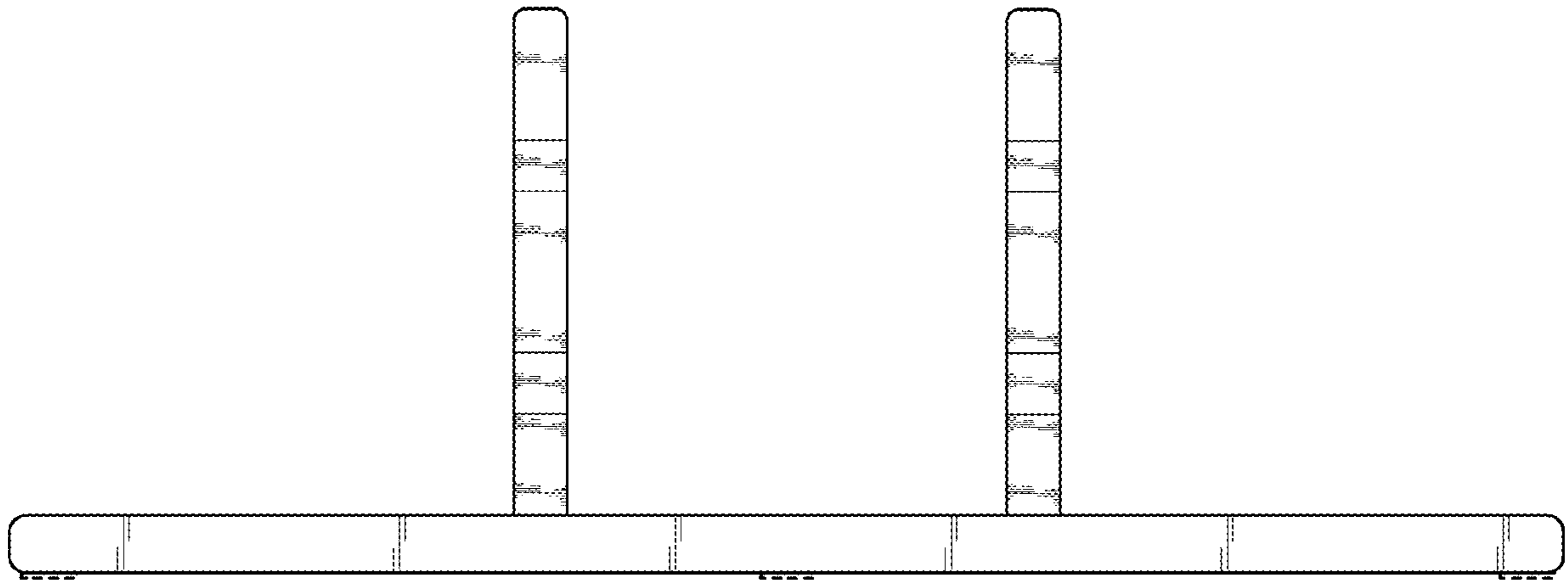


FIG. 4

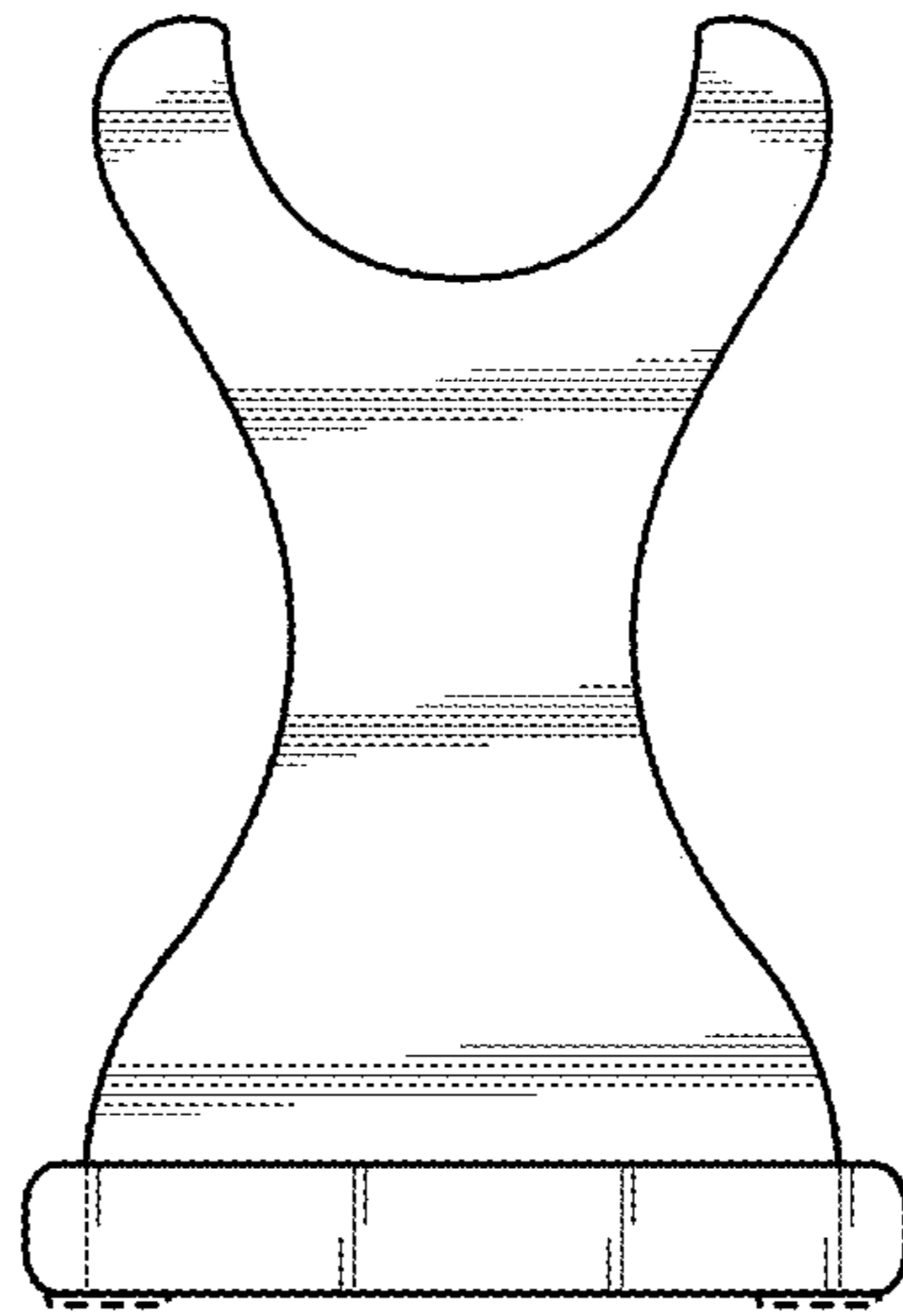


FIG. 5

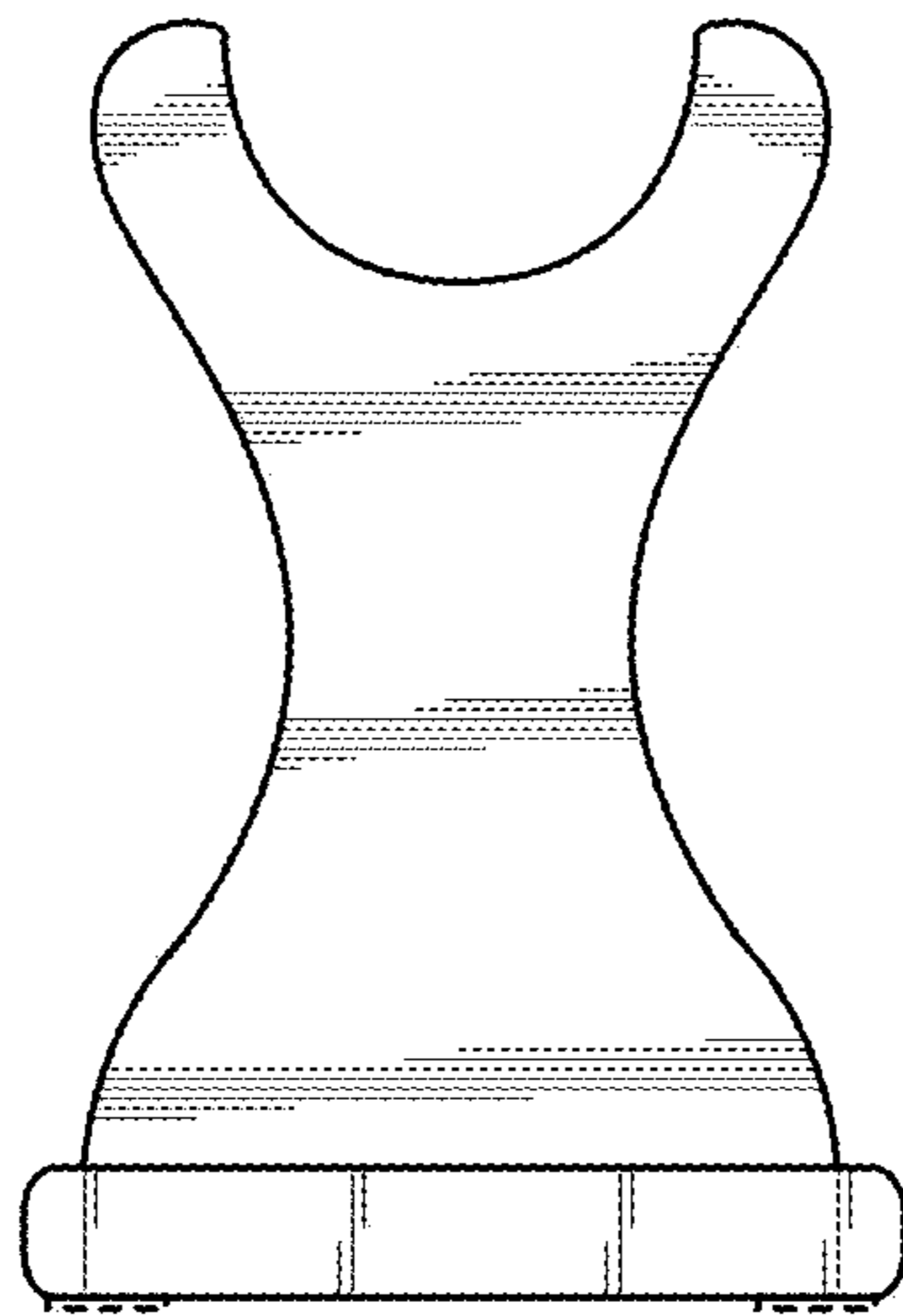


FIG. 6

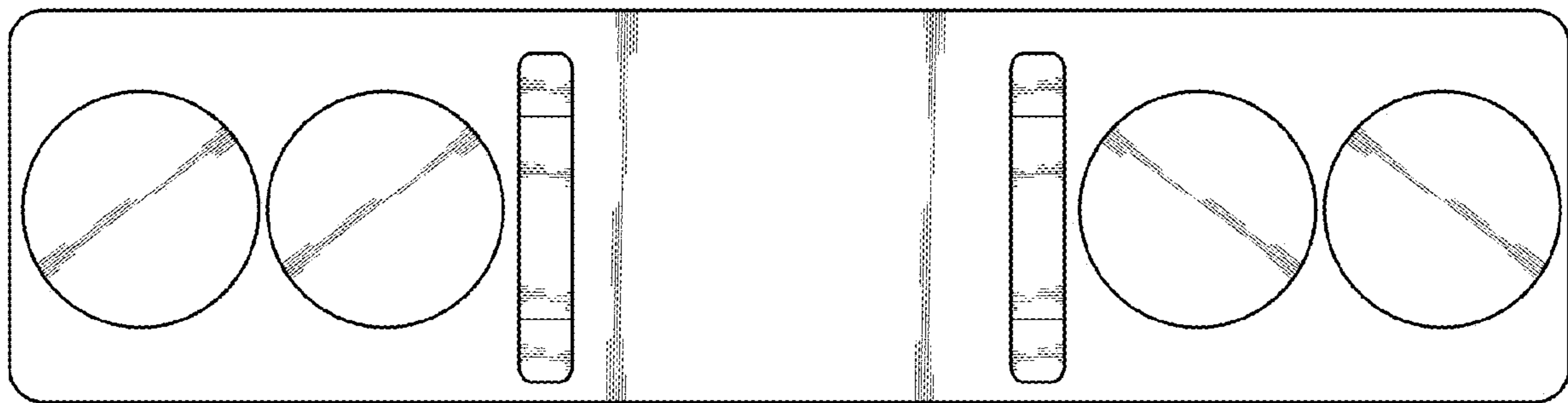


FIG. 7

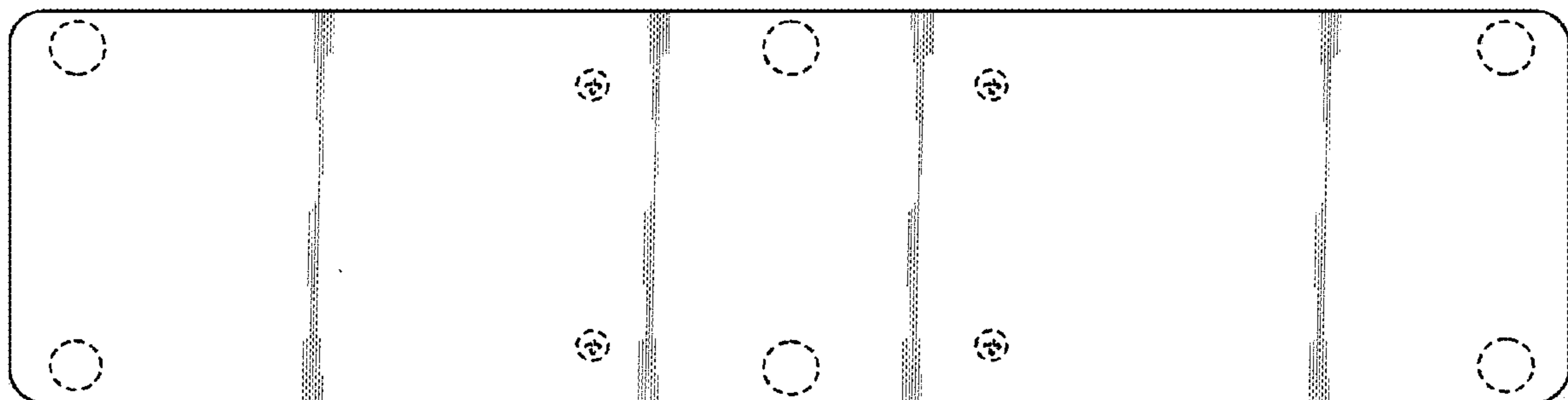


FIG. 8