

US00D905513S

(12) **United States Design Patent** (10) **Patent No.:** **US D905,513 S**
Schreiter (45) **Date of Patent:** **** Dec. 22, 2020**

(54) **CUTTING BOARDS WITH CONTAINERS**

(71) Applicant: **Johannes Schreiter**, Offenbach (DE)

(72) Inventor: **Johannes Schreiter**, Offenbach (DE)

(**) Term: **15 Years**

(21) Appl. No.: **35/505,070**

(22) Filed: **Mar. 8, 2018**

(80) **Hague Agreement Data**

Int. Filing Date: **Mar. 8, 2018**

Int. Reg. No.: **DM/101378**

Int. Reg. Date: **Mar. 8, 2018**

Int. Reg. Pub. Date: **Jun. 8, 2018**

(30) **Foreign Application Priority Data**

Oct. 20, 2017 (DE) 40 2017 101 143

Oct. 26, 2017 (DE) 40 2017 101 173

(51) **LOC (12) Cl.** **07-04**

(52) **U.S. Cl.**
USPC **D7/698**

(58) **Field of Classification Search**
USPC D7/698, 552.1–553.3, 550.1, 554.3,
D7/553.7, 555, 554.4, 213, 541, 549, 505;
D9/741, 737, 456, 761; D6/406.1, 406.3,
D6/406.6
CPC A47J 47/005; A47J 47/00; A47J 47/01;
B65D 1/36

See application file for complete search history.

(56) **References Cited**

U.S. PATENT DOCUMENTS

| | | | | | | |
|--------------|----|---|---------|-----------|-------|--------------------------|
| D288,650 | S | * | 3/1987 | Mintz | | D30/131 |
| D327,200 | S | * | 6/1992 | Szablak | | D7/550.1 |
| D372,176 | S | * | 7/1996 | Meisner | | D7/698 |
| D418,327 | S | * | 1/2000 | Sullins | | D6/406.3 |
| D553,012 | S | * | 10/2007 | Changpan | | D9/425 |
| D574,200 | S | * | 8/2008 | Pearl | | D7/698 |
| D655,939 | S | * | 3/2012 | Tracy | | D7/698 |
| D745,788 | S | * | 12/2015 | Schreiter | | D6/406.3 |
| D755,589 | S | * | 5/2016 | Keating | | D7/698 |
| D803,640 | S | * | 11/2017 | Grimm | | D7/698 |
| D852,010 | S | * | 6/2019 | Banovic | | D7/698 |
| 2007/0001359 | A1 | * | 1/2007 | Pearl | | A47J 47/005 269/289 R |
| 2016/0331185 | A1 | * | 11/2016 | Anderson | | A47J 47/005 |

* cited by examiner

Primary Examiner — Robert M. Spear

(74) *Attorney, Agent, or Firm* — Clark & Brody LP

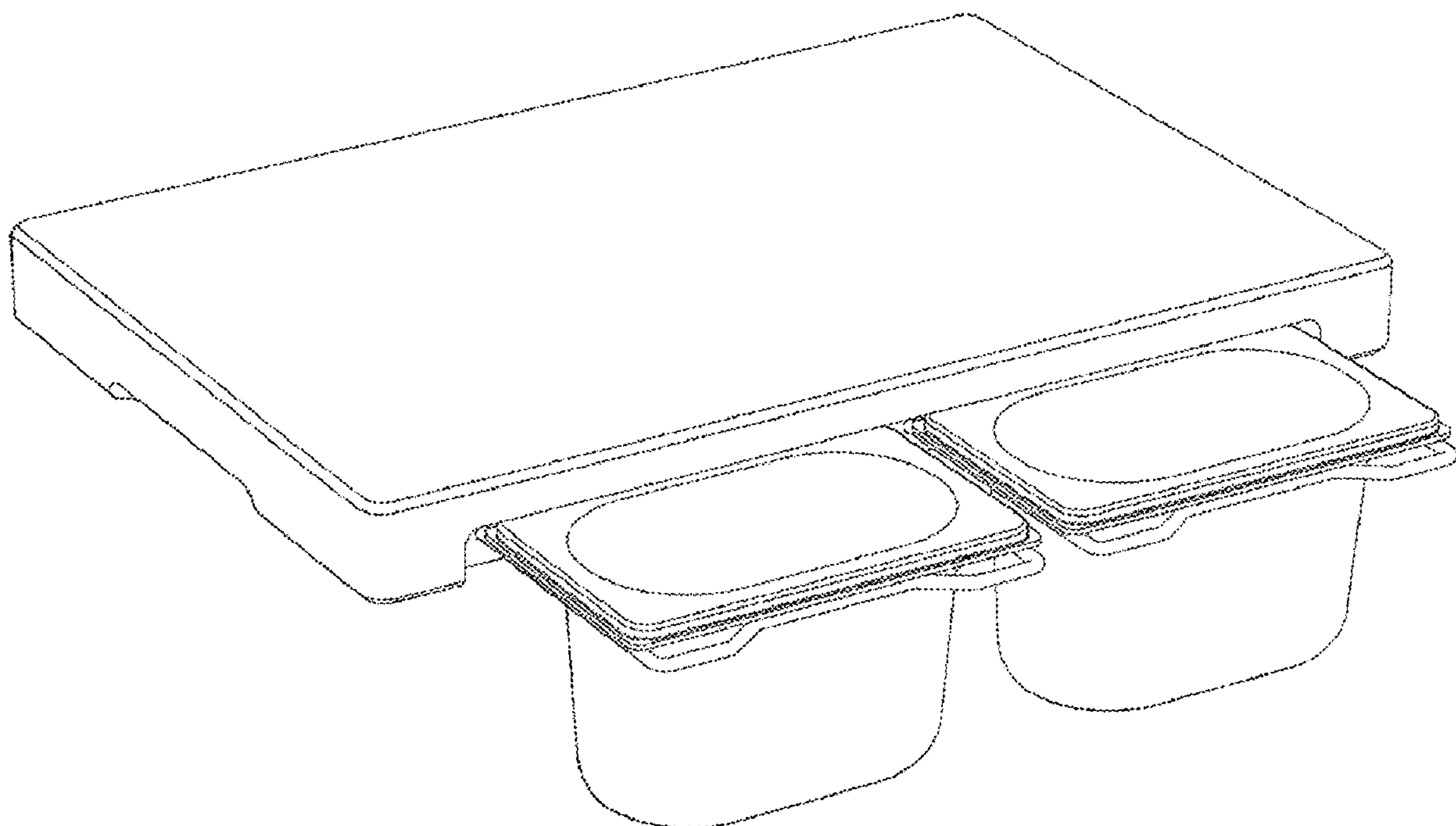
(57) **CLAIM**

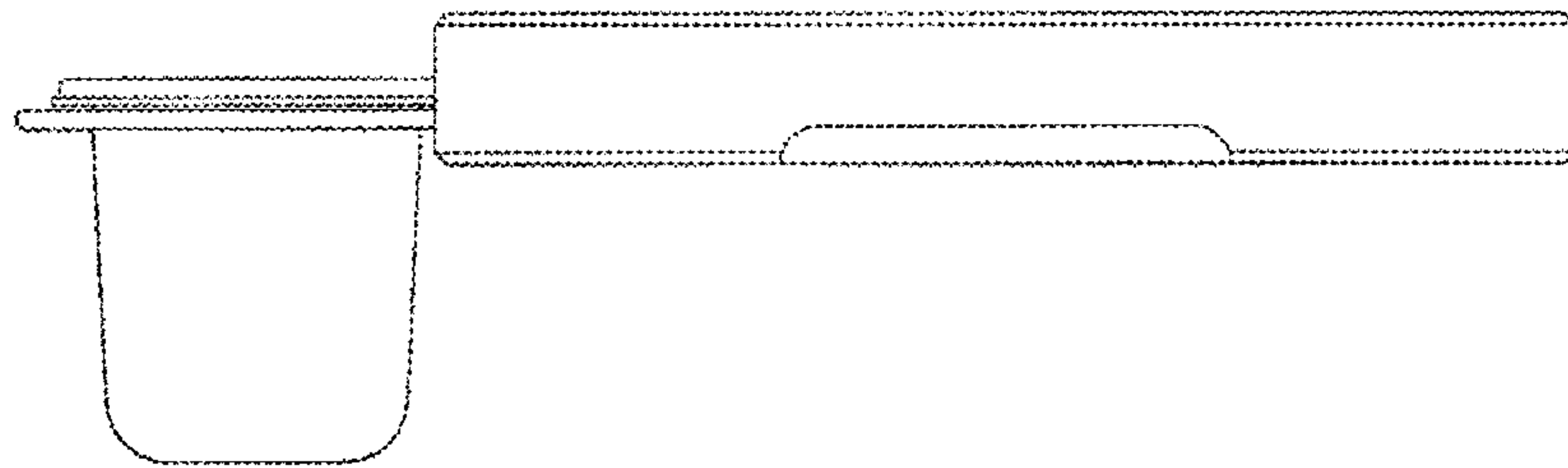
The ornamental design for a cutting boards with containers, as shown and described.

DESCRIPTION

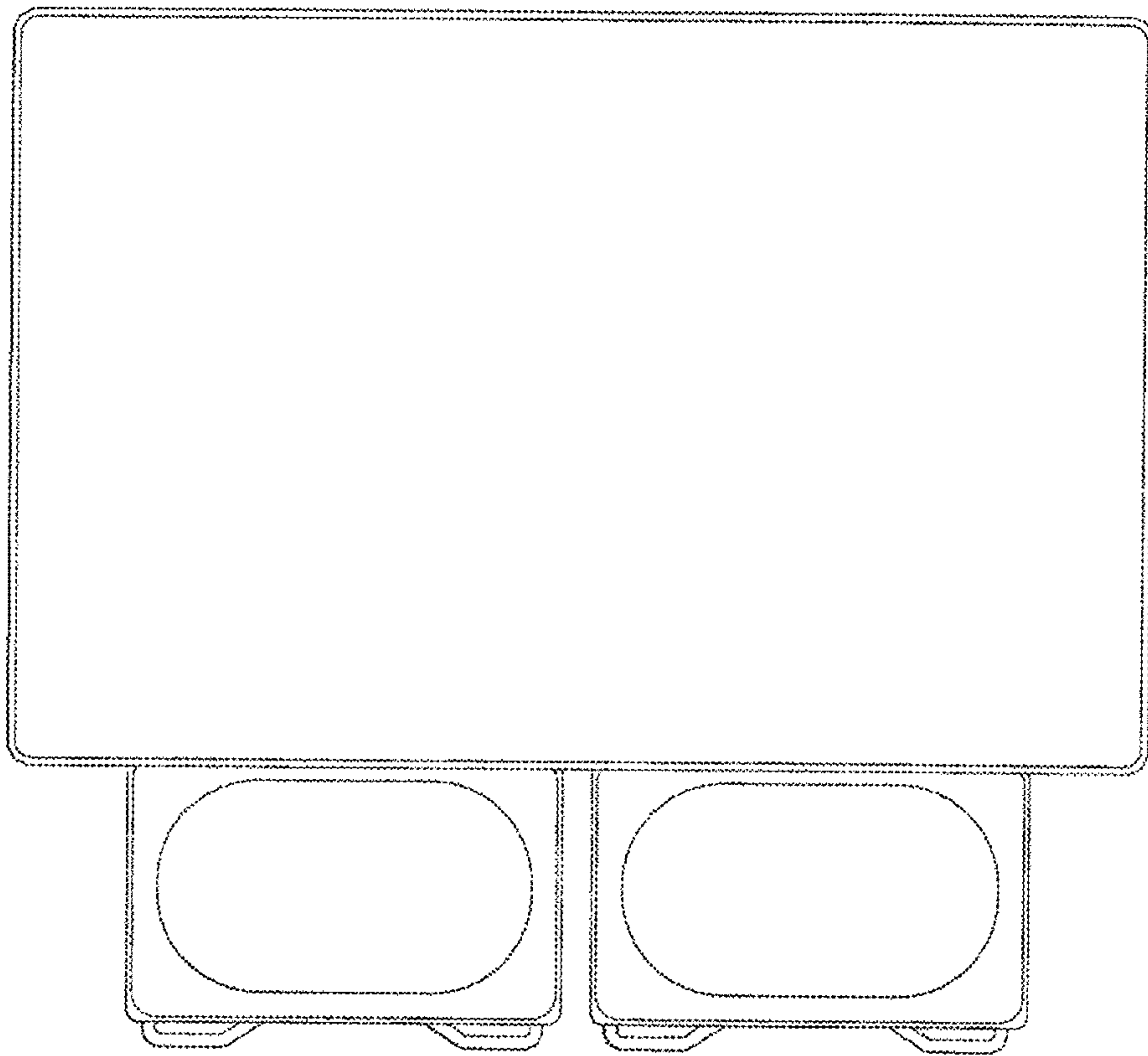
- 2. Cutting boards with containers
- 2.1** is a right side view of a cutting boards with containers showing my new design;
- 2.2** is a top view thereof;
- 2.3** is a front view thereof; and
- 2.4** is a left front top perspective view thereof.

1 Claim, 4 Drawing Sheets

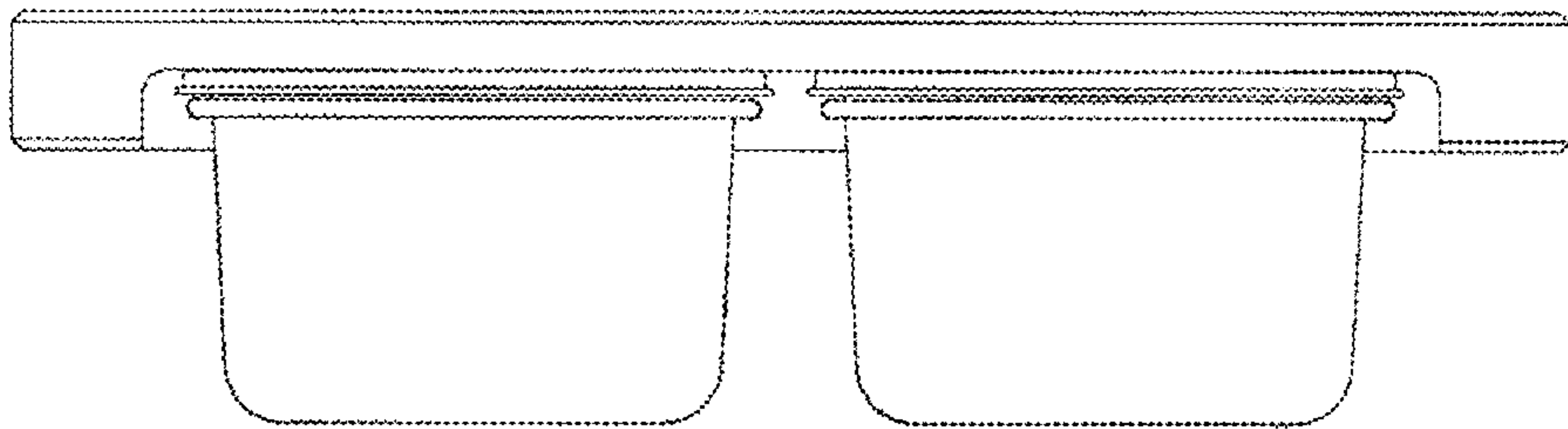




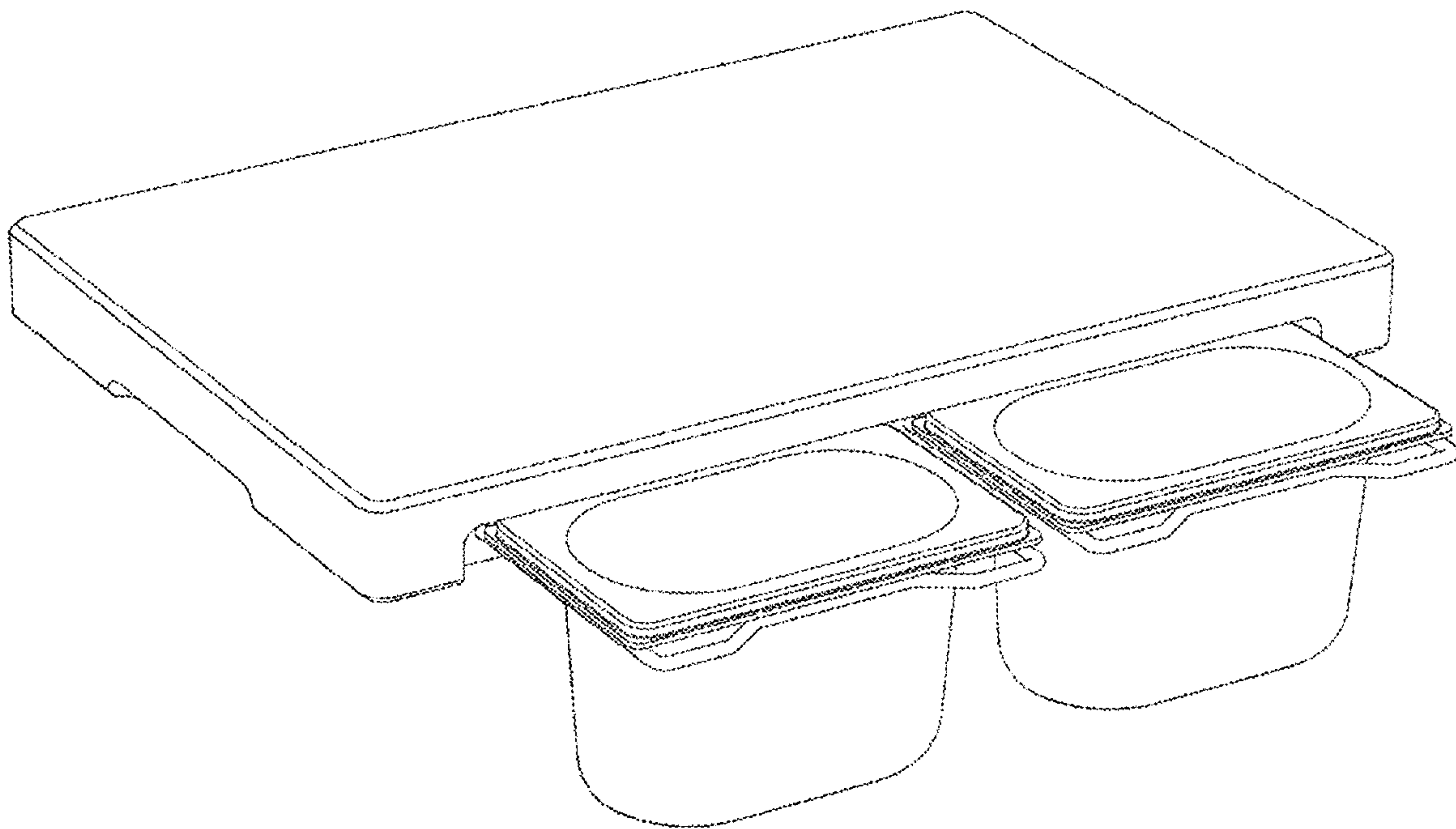
2.1



2.2



2.3



2.4