



US00D905512S

(12) **United States Design Patent**  
**Knopfler**

(10) **Patent No.:** **US D905,512 S**  
(45) **Date of Patent:** **\*\* Dec. 22, 2020**

(54) **SCOOP**

(71) Applicant: **Aron Knopfler**, Brooklyn, NY (US)

(72) Inventor: **Aron Knopfler**, Brooklyn, NY (US)

(\*\*) Term: **15 Years**

(21) Appl. No.: **29/696,395**

(22) Filed: **Jun. 27, 2019**

(51) **LOC (12) Cl.** ..... **07-99**

(52) **U.S. Cl.**

USPC ..... **D7/691**

(58) **Field of Classification Search**

USPC ..... D7/680-696, 393, 395, 669; D8/1  
CPC .. A01B 1/02; A47F 13/08; A47F 13/00; A47J  
43/282; F24B 15/06; A01K 1/014; A47G  
21/04

See application file for complete search history.

(56) **References Cited**

**U.S. PATENT DOCUMENTS**

D306,324 S \* 2/1990 Dykes ..... D21/472  
5,716,087 A \* 2/1998 Backich ..... A01B 1/02  
16/422  
2011/0285159 A1\* 11/2011 Workman ..... A47F 13/08  
294/178

**OTHER PUBLICATIONS**

Bench Scrape, Rachel Ray [Date accessed May 31, 2019], URL unknown.

Flat Bottom Food and Utility Scoop [Date accessed May 31, 2019], URL unknown.

French Fry Bagger [Date accessed May 31, 2019], URL unknown. Image(1), www.beadbuddy.net [Date accessed Jun. 27, 2019], URL unknown.

Image, www.beadbuddy.net [Date accessed Jun. 27, 2019], URL unknown.

Metal Popcorn Serving Scoop [Date accessed May 31, 2019], URL unknown.

Popcorn Scoop [Date accessed May 31, 2019], URL unknown.

Rubbermaid Commercial Food Service Scoop [Date accessed May 31, 2019], URL unknown.

\* cited by examiner

*Primary Examiner* — Terry A Wallace

(74) *Attorney, Agent, or Firm* — Michael J. Feigin, Esq.; Feigin and Fridman LLC

(57) **CLAIM**

The ornamental design for a scoop, as shown and described.

**DESCRIPTION**

FIG. 1 shows a top perspective view of the scoop.

FIG. 2 shows a bottom perspective view thereof.

FIG. 3 shows a top plan view thereof.

FIG. 4 shows a bottom plan view thereof.

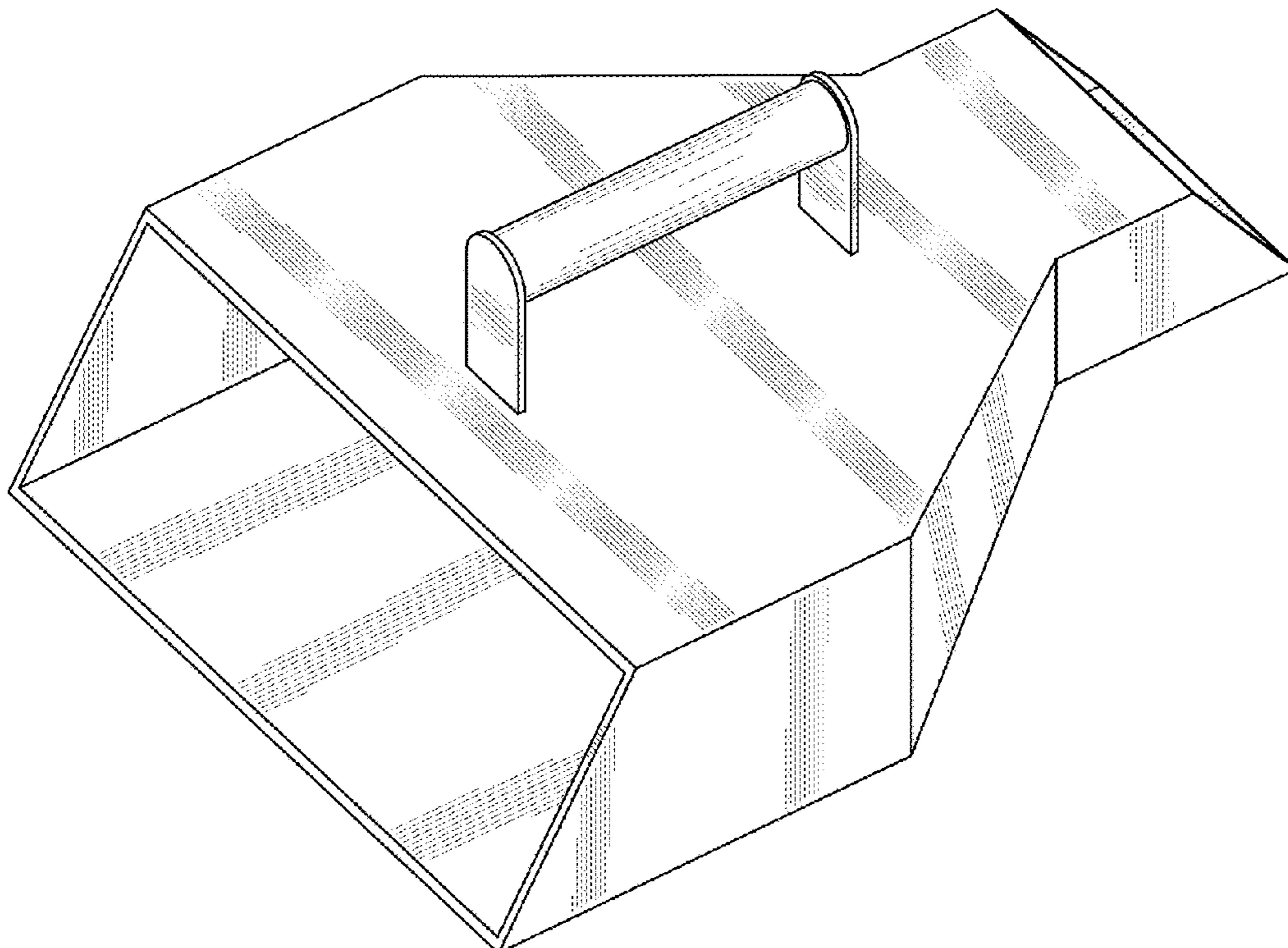
FIG. 5 shows a front elevation view thereof.

FIG. 6 shows a rear elevation view thereof.

FIG. 7 shows a side elevation view thereof, the opposite side being a mirror image thereof; and,

FIG. 8 shows a side cutaway view cut along section line 8-8 of FIG. 3.

**1 Claim, 6 Drawing Sheets**



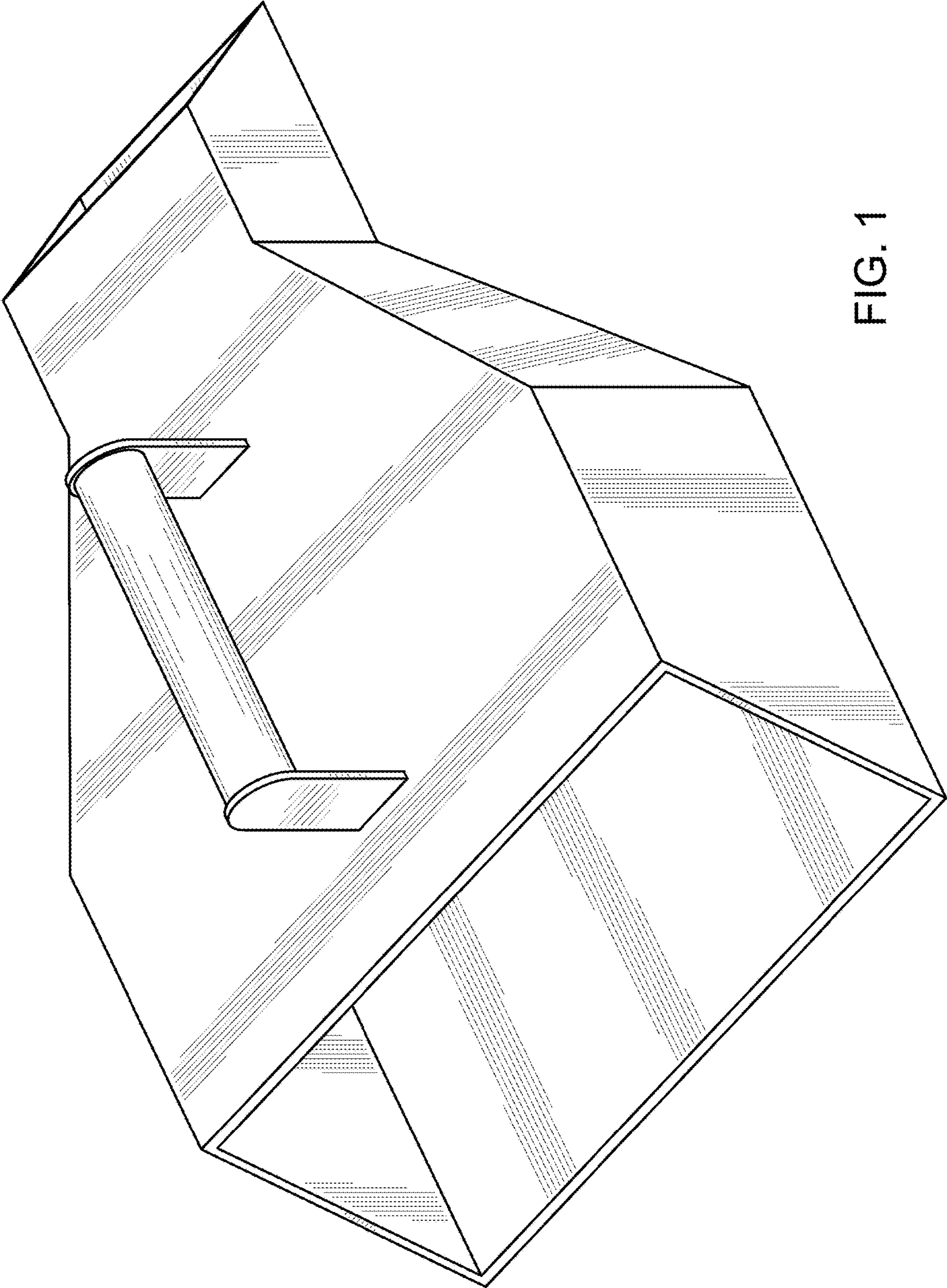


FIG. 1



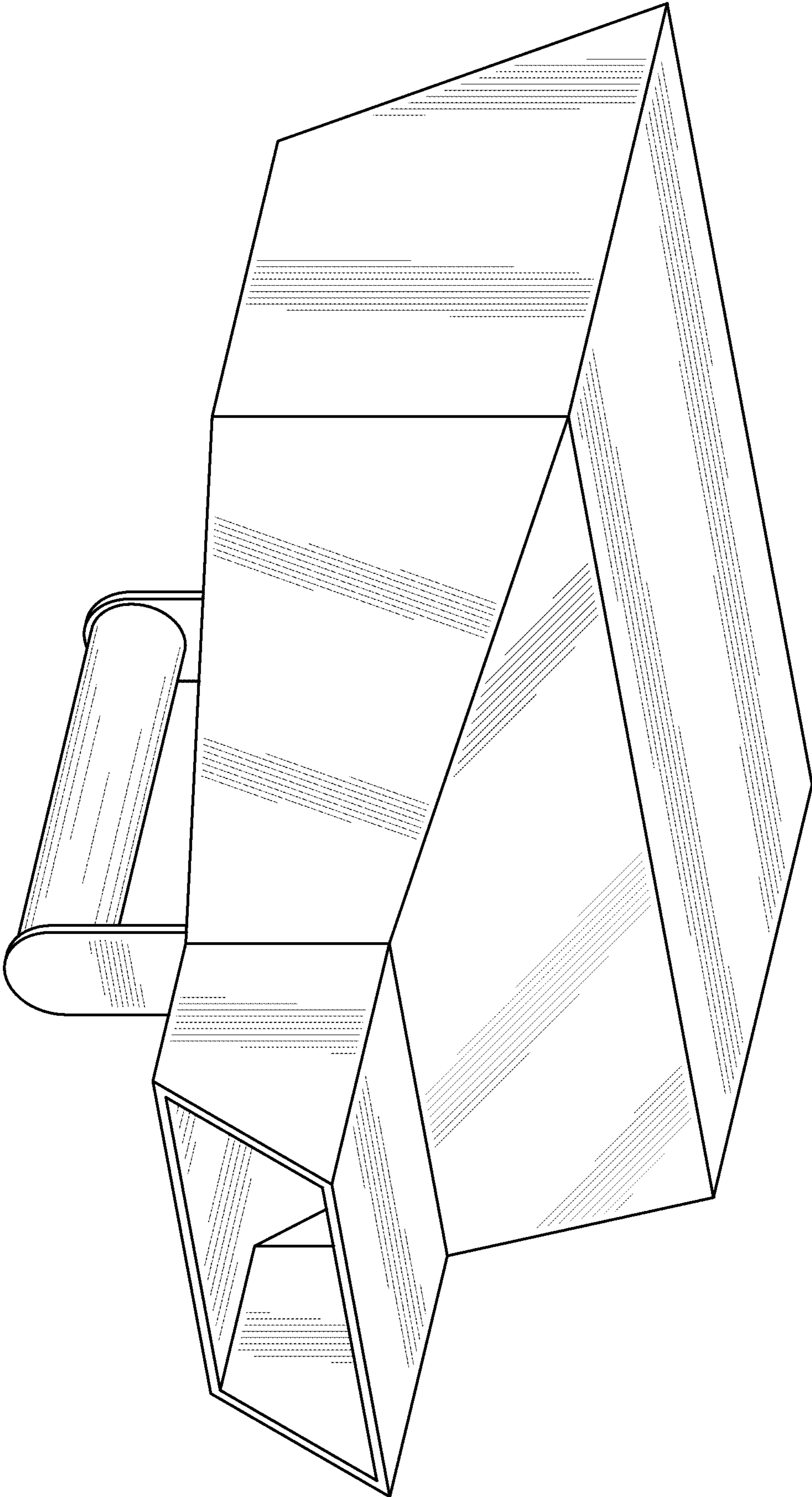


FIG. 2

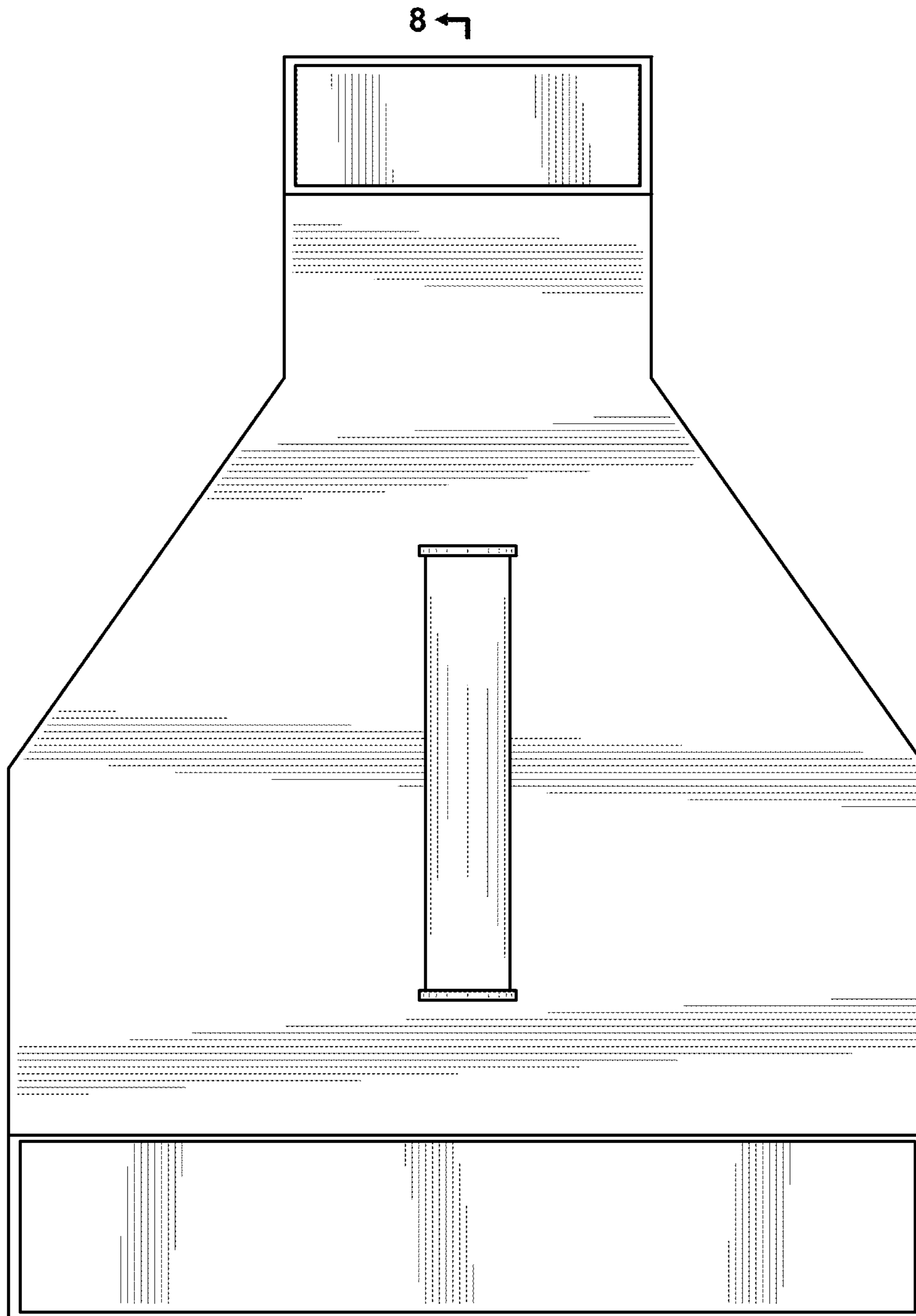


FIG. 3

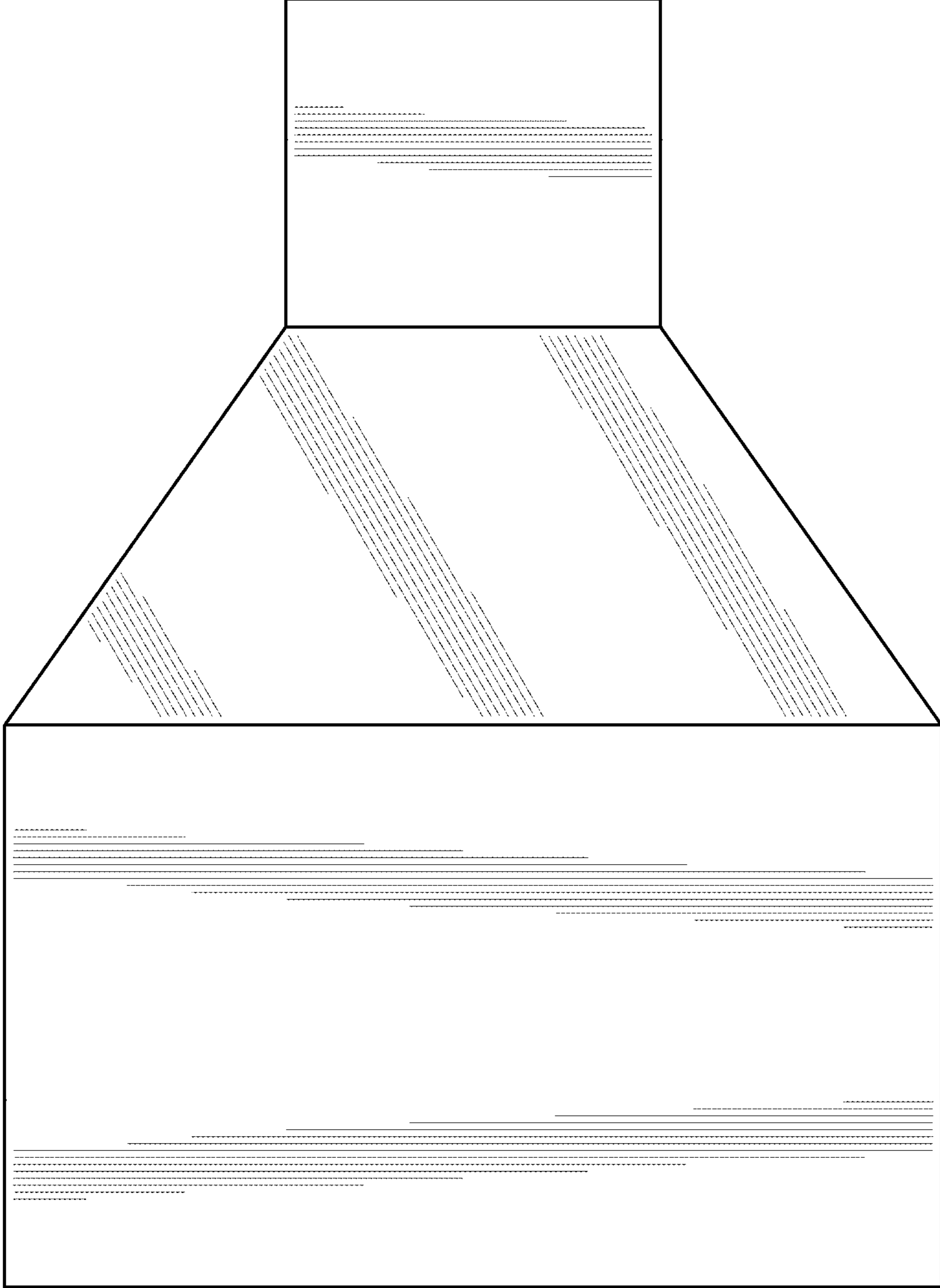


FIG. 4

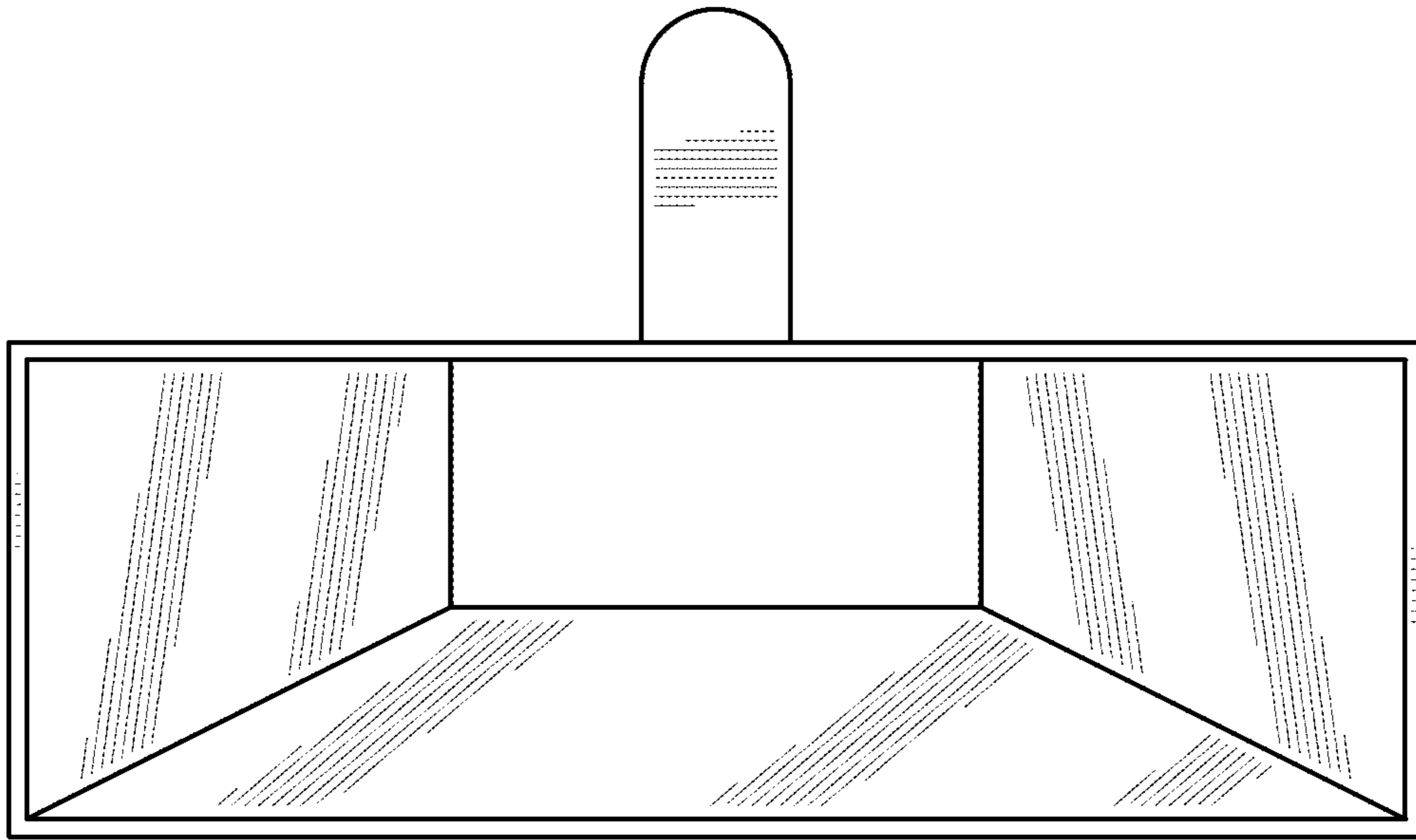


FIG. 5

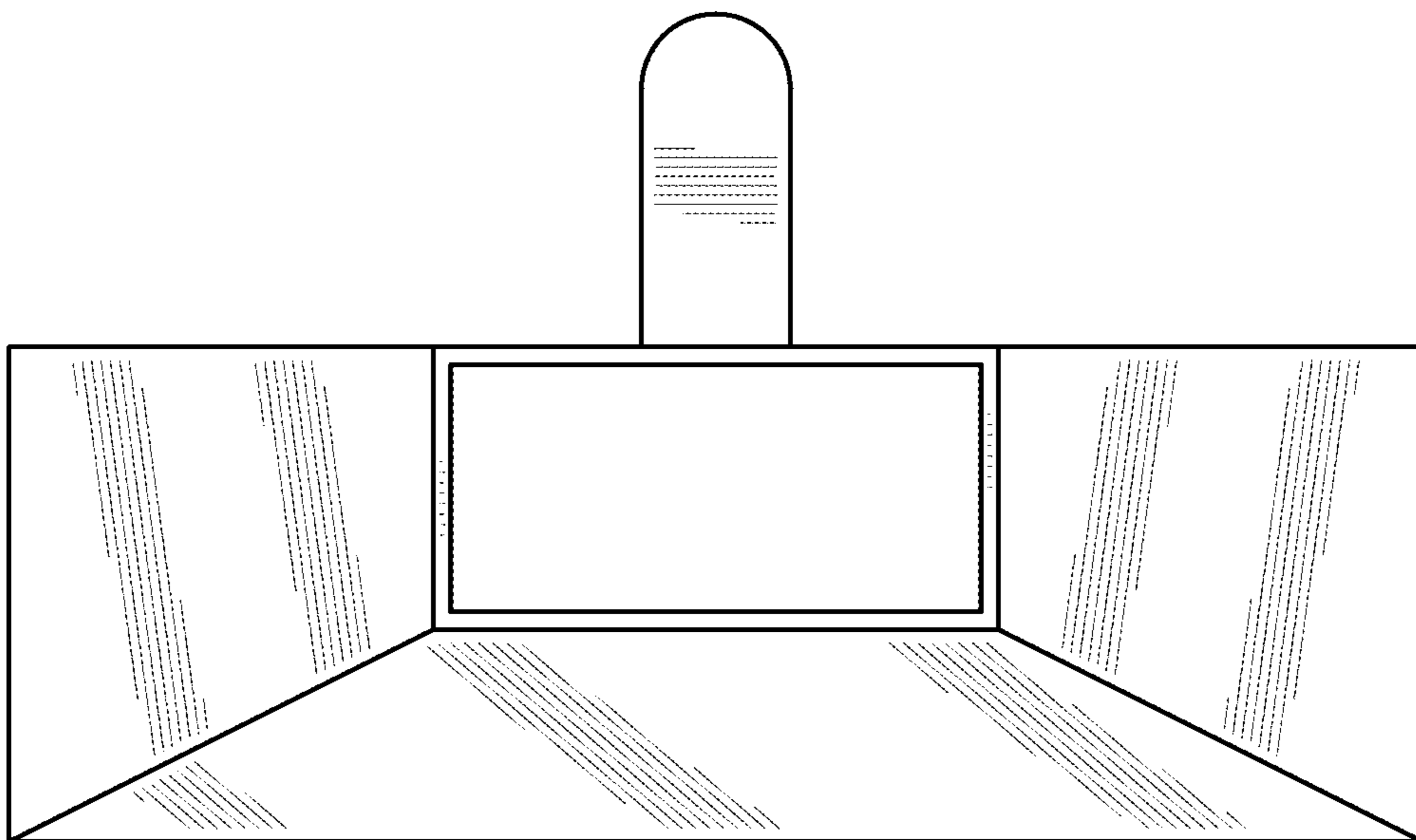


FIG. 6

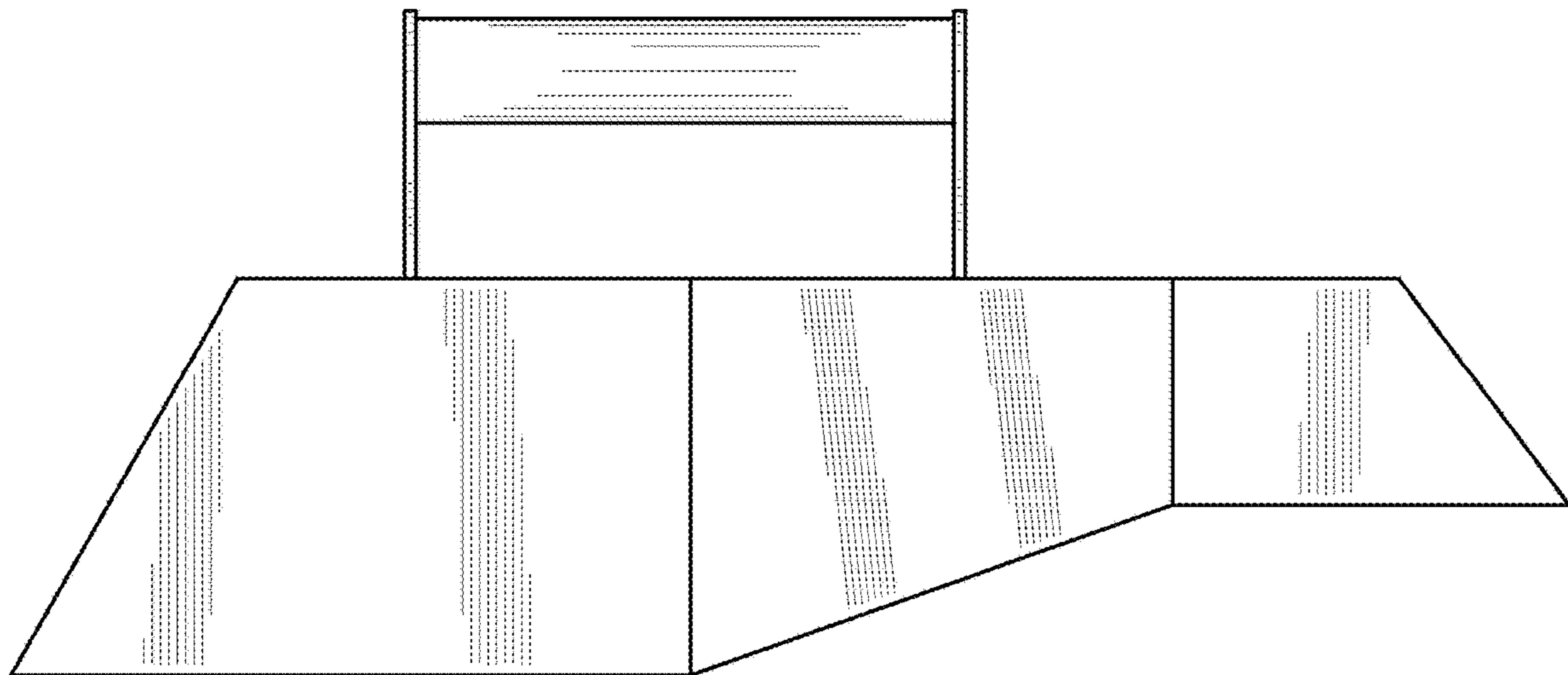


FIG. 7

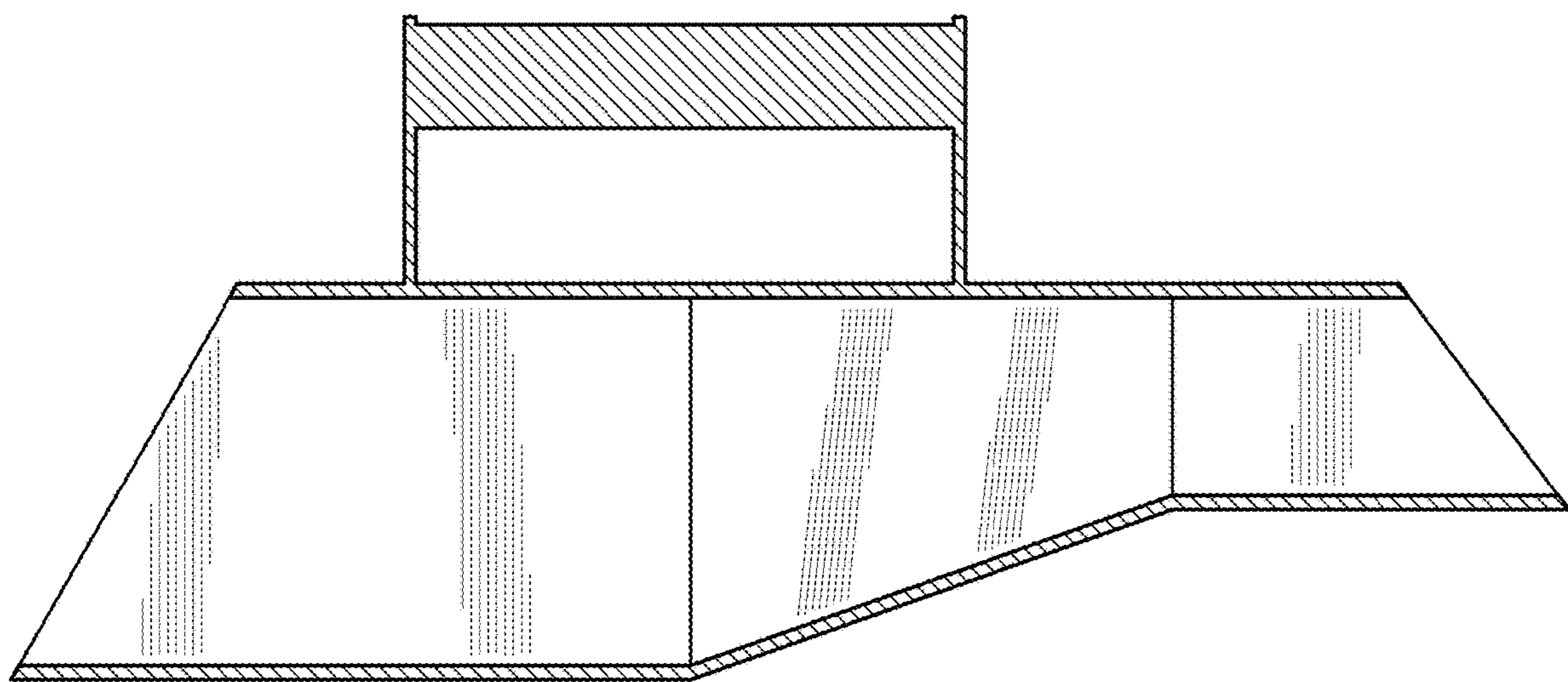


FIG. 8