



US00D905511S

(12) **United States Design Patent**  
**Wang**

(10) **Patent No.:** **US D905,511 S**

(45) **Date of Patent:** **\*\* Dec. 22, 2020**

(54) **BARBECUE CLAW**

D663,171 S \* 7/2012 Borovicka ..... D7/683  
D712,708 S \* 9/2014 High ..... D7/683

(71) Applicant: **SHENZHEN ZHIYUAN TECH CO., LTD.**, Shenzhen (CN)

\* cited by examiner

(72) Inventor: **Xilong Wang**, Shenzhen (CN)

*Primary Examiner* — Terry A Wallace

(73) Assignee: **SHENZHEN ZHIYUAN TECH CO., LTD.**, Shenzhen (CN)

(74) *Attorney, Agent, or Firm* — Law Offices of Steven W. Weinrieb

(\*\*) Term: **15 Years**

(57) **CLAIM**

(21) Appl. No.: **29/690,893**

The ornamental design for a barbecue claw, as shown and described.

(22) Filed: **May 13, 2019**

**DESCRIPTION**

(51) **LOC (12) Cl.** ..... **07-06**

(52) **U.S. Cl.**  
USPC ..... **D7/683**

(58) **Field of Classification Search**  
USPC ..... D7/680–696, 393, 394, 669, 368;  
D8/300, 105, 107

FIG. 1 is a front, right side, top perspective view of a barbecue claw showing my new design;  
FIG. 2 is a rear, right side, bottom perspective view thereof;  
FIG. 3 is a front elevational view;  
FIG. 4 is a rear elevational view thereof;  
FIG. 5 is a left side elevational view thereof;  
FIG. 6 is a right side elevational view thereof;  
FIG. 7 is a top plan view thereof; and,  
FIG. 8 is a bottom plan view thereof.

CPC ..... A47J 43/18; A47J 43/28; A22C 9/008;  
A22C 9/001; A22C 9/00; A22C 9/007  
See application file for complete search history.

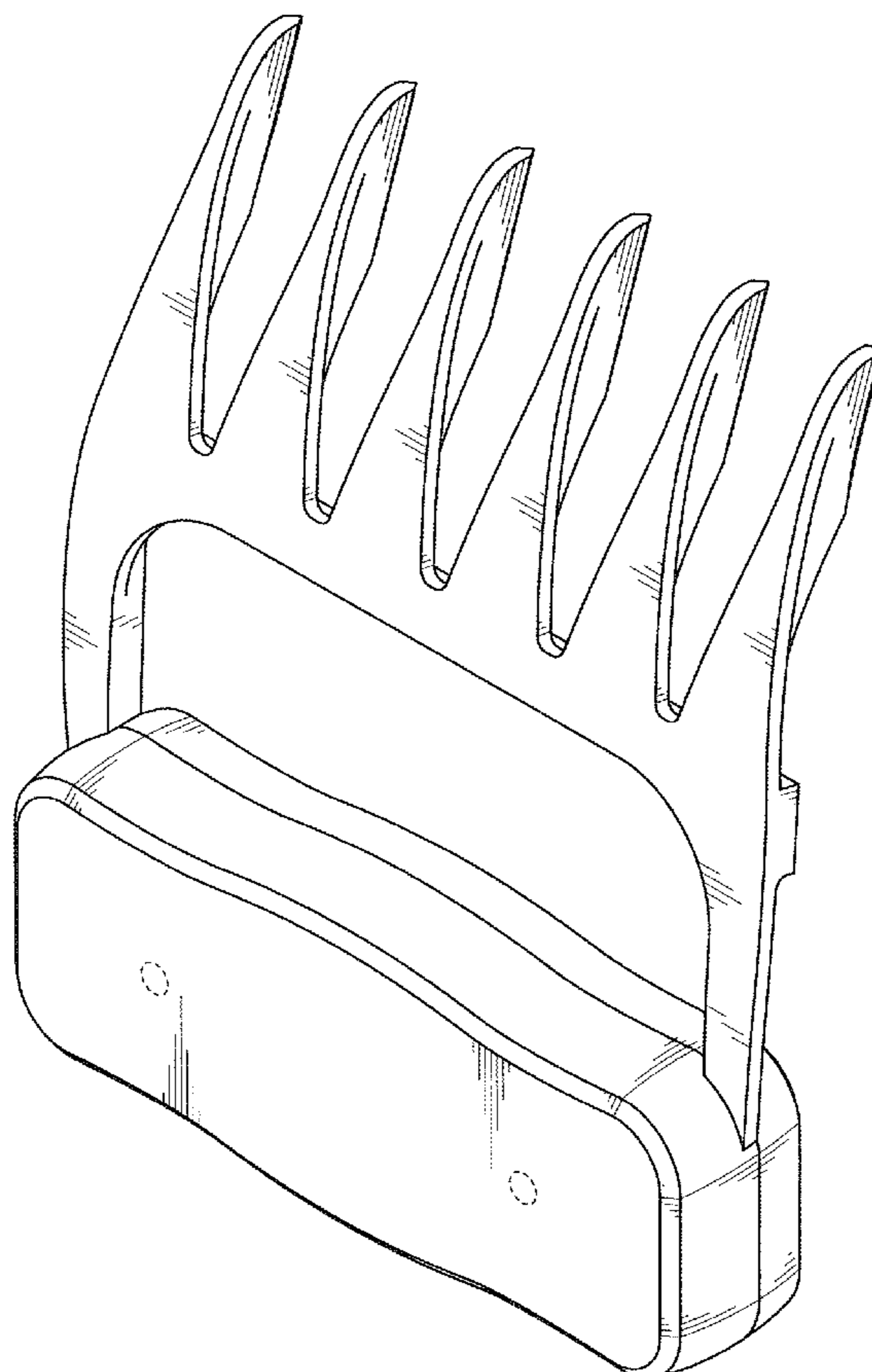
The broken lines immediately adjacent to the claimed portions are boundaries, all other broken lines are environmental structures; all the broken lines form no part of the claimed design.

(56) **References Cited**

**U.S. PATENT DOCUMENTS**

D25,841 S \* 7/1896 Bonte ..... D7/682  
D333,413 S \* 2/1993 Kistner ..... D7/683

**1 Claim, 8 Drawing Sheets**



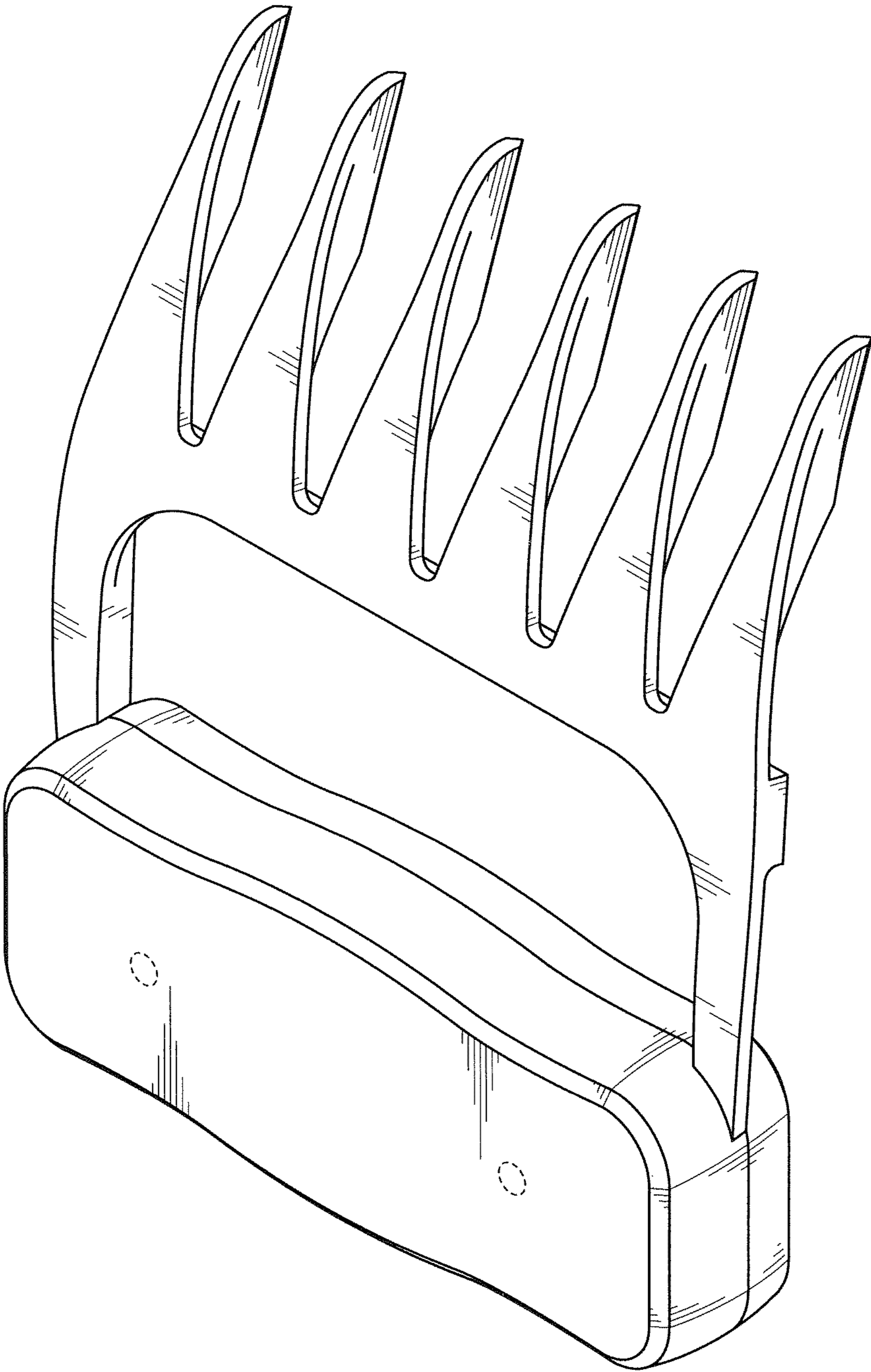


FIG. 1

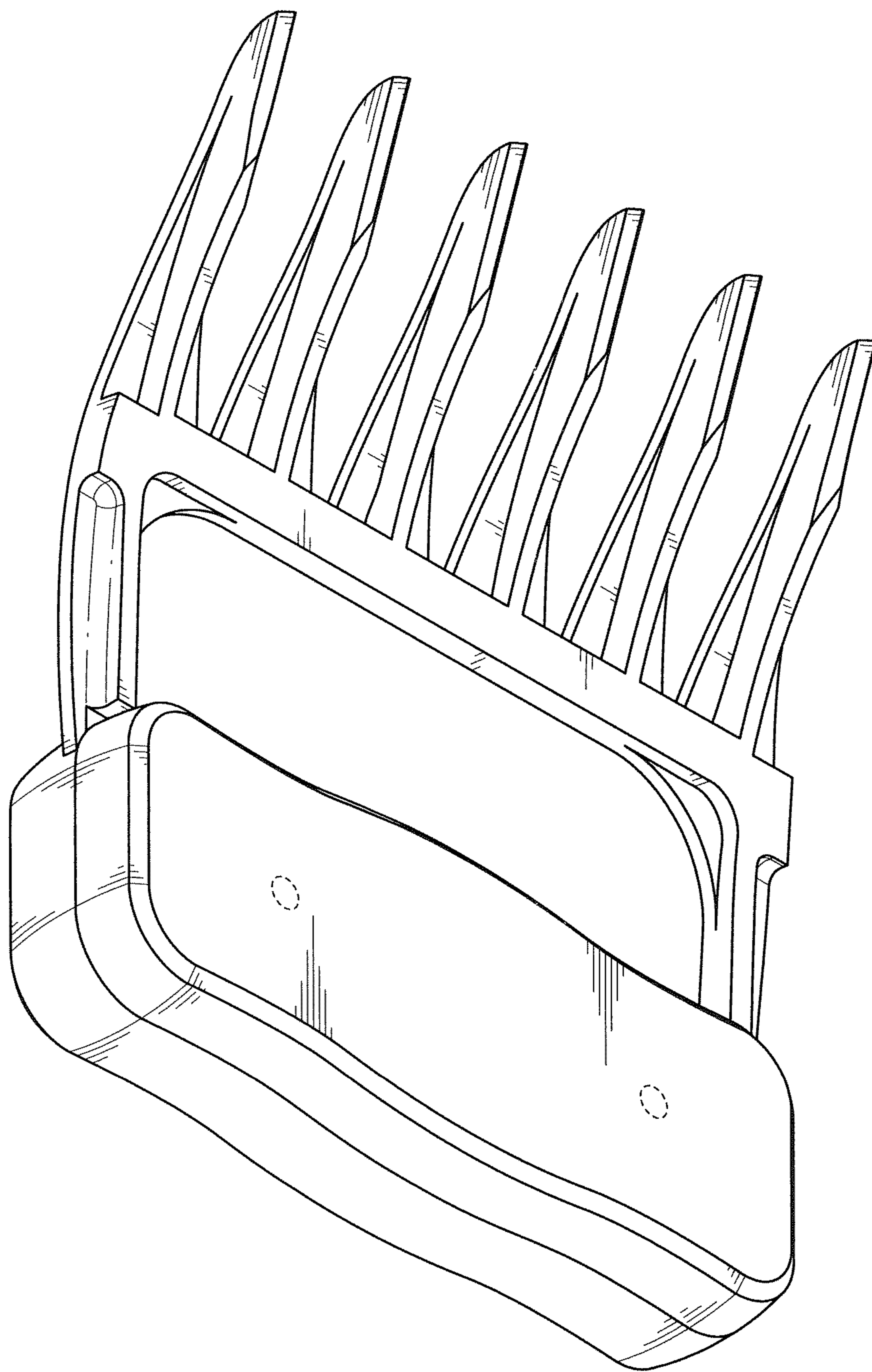


FIG. 2

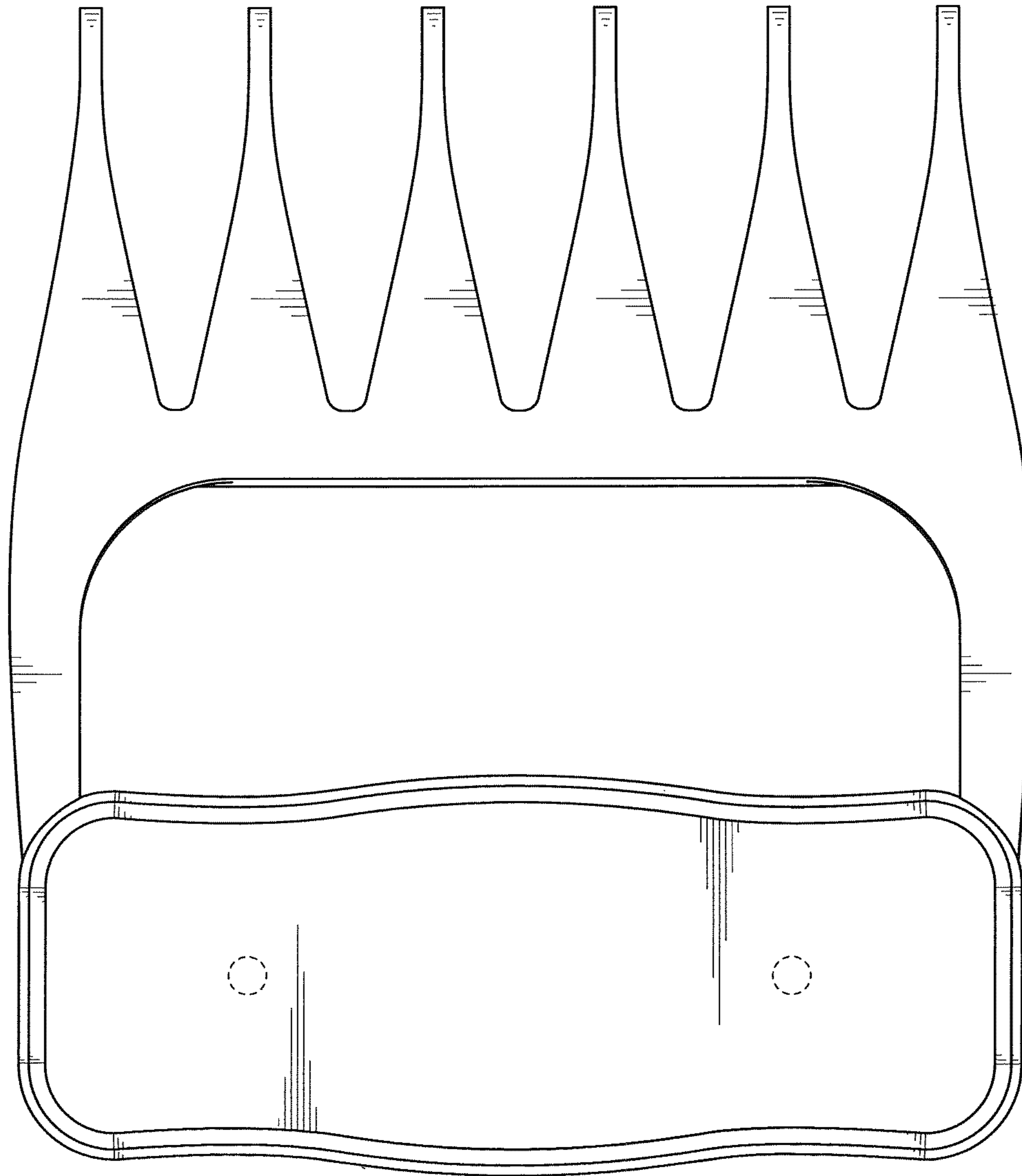


FIG. 3



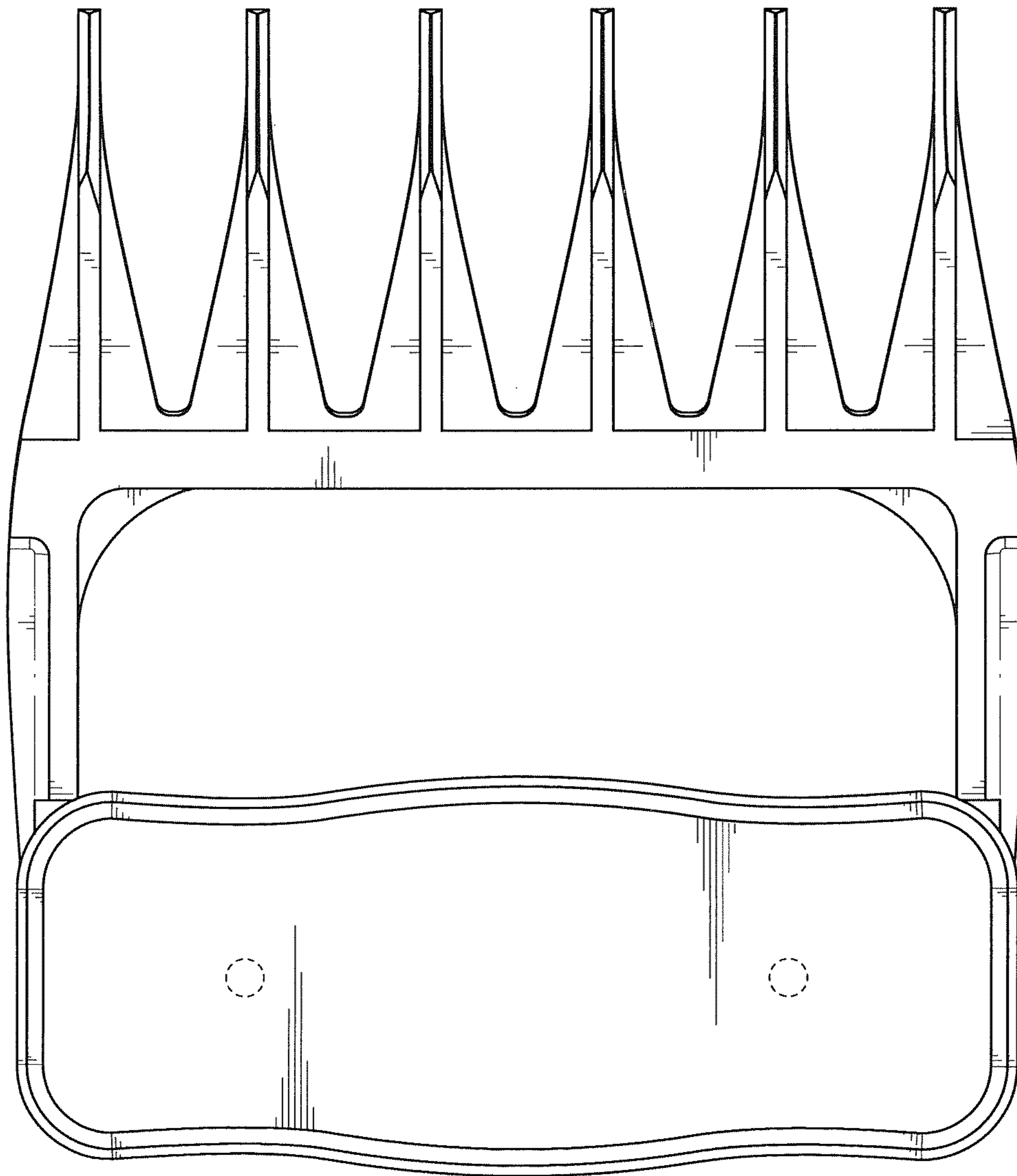


FIG. 4

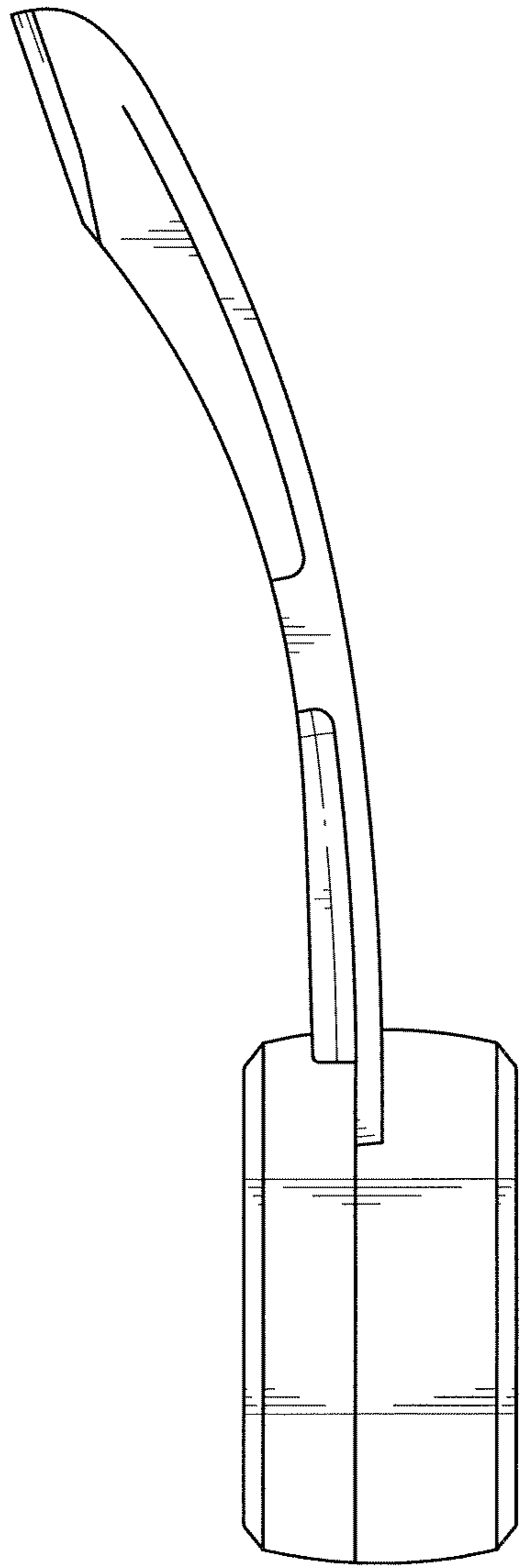


FIG. 5

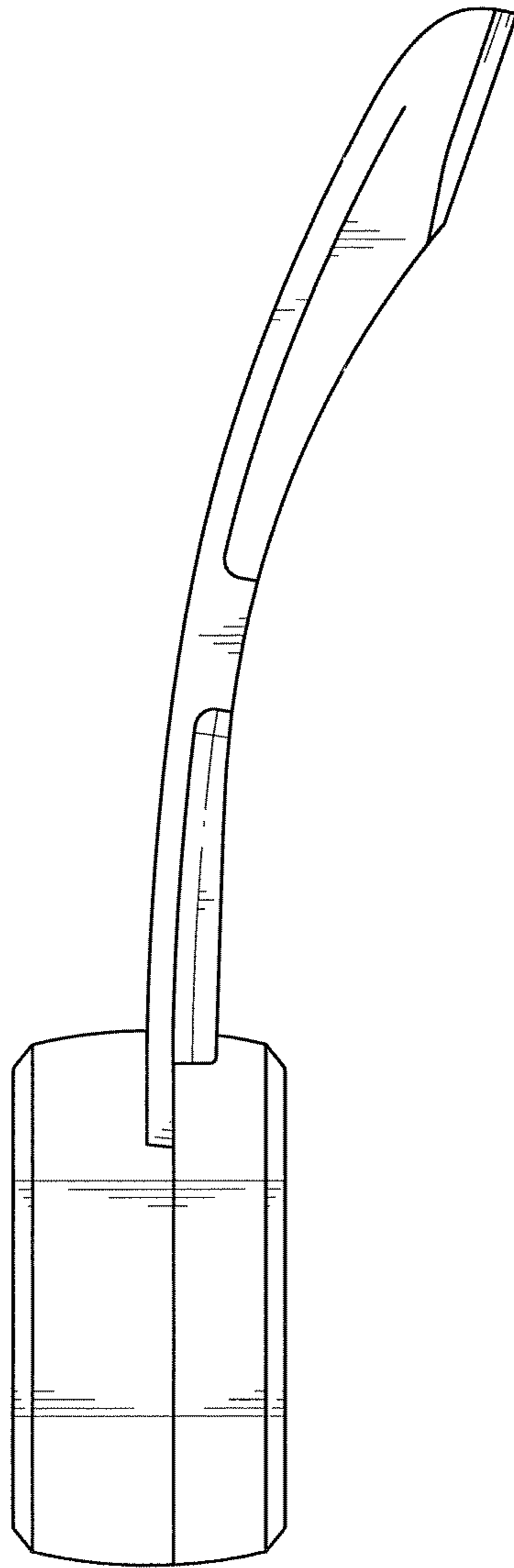


FIG. 6

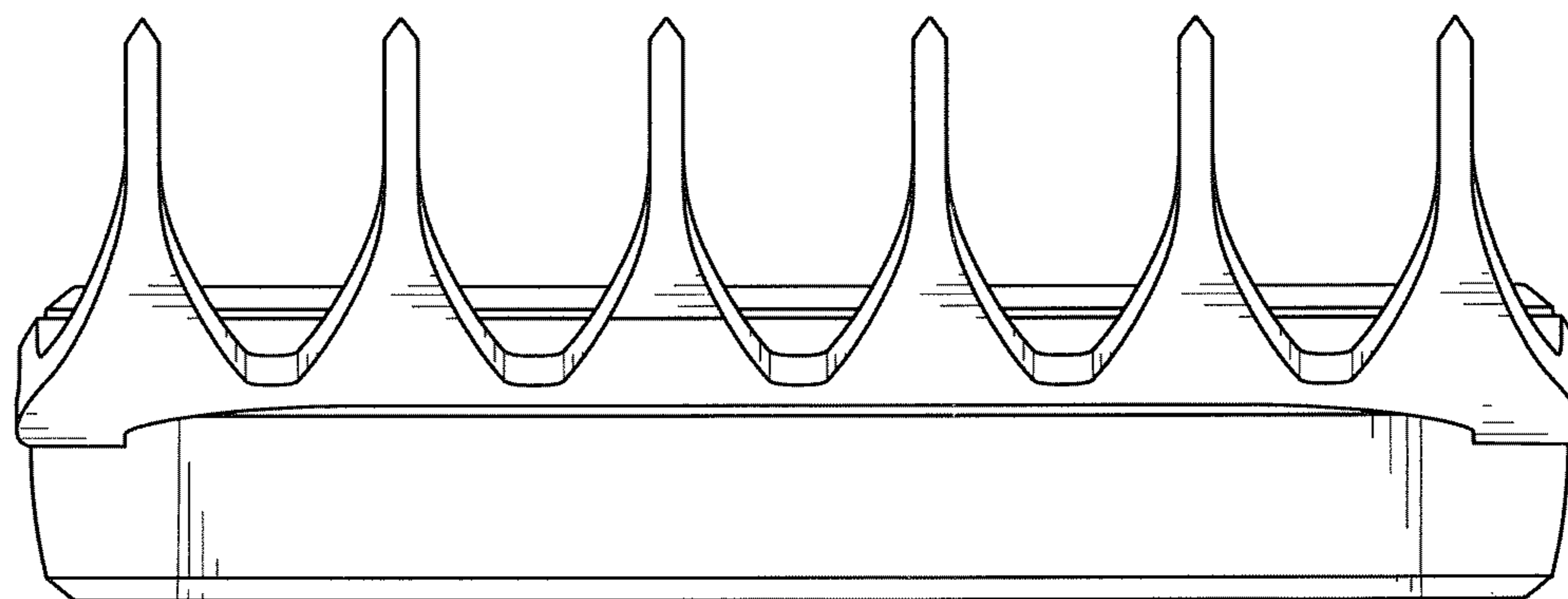


FIG. 7



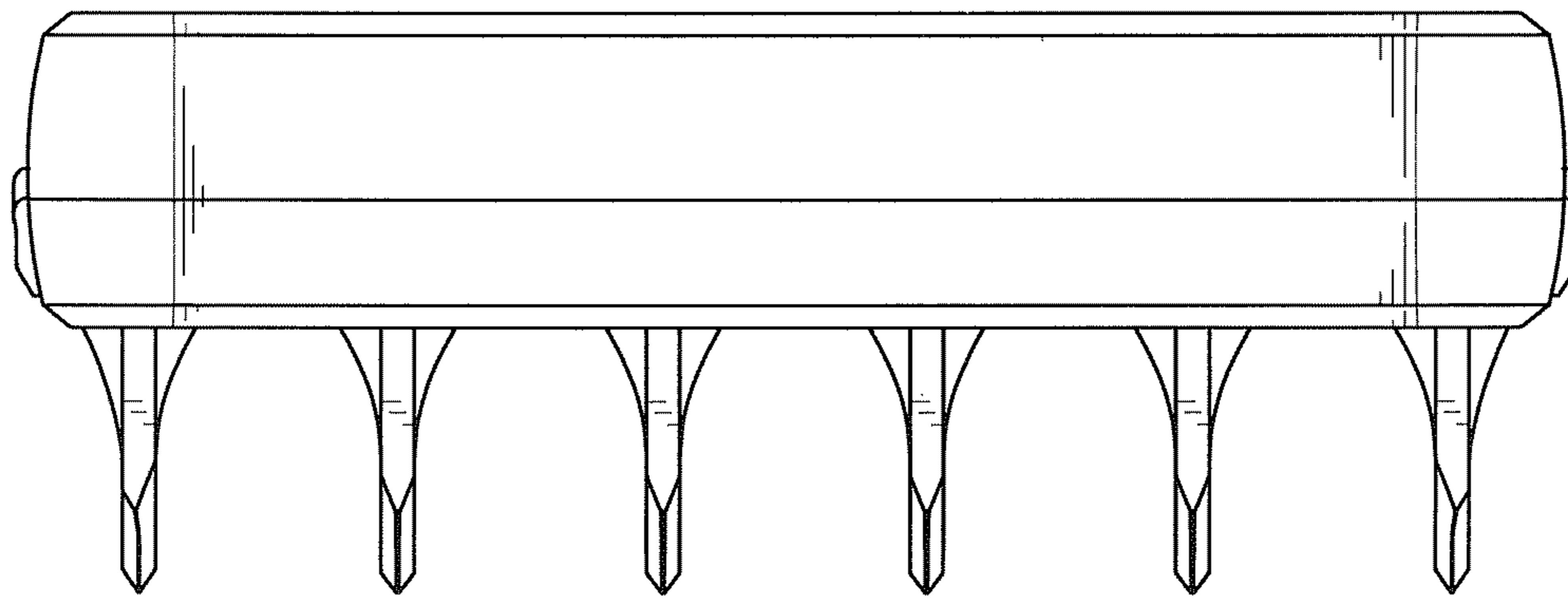


FIG. 8