



US00D905508S

(12) **United States Design Patent**  
**Krus**

(10) **Patent No.:** **US D905,508 S**

(45) **Date of Patent:** **\*\* Dec. 22, 2020**

(54) **JUICER**

(71) Applicant: **Lifetime Brands, Inc.**, Garden City,  
NY (US)

(72) Inventor: **Matt Krus**, Seattle, WA (US)

(73) Assignee: **LIFETIME BRANDS, INC.**, Garden  
City, NY (US)

(\*\*) Term: **15 Years**

(21) Appl. No.: **29/690,615**

(22) Filed: **May 9, 2019**

(51) **LOC (12) Cl.** ..... **07-04**

(52) **U.S. Cl.**  
USPC ..... **D7/665**

(58) **Field of Classification Search**  
USPC ..... D7/665-667, 412, 368, 669, 376-386,  
D7/372; D10/46.2-46.3  
CPC ..... A47J 19/02; A47J 19/022; A47J 19/027;  
A47J 19/06; A47J 19/00; A47J 19/30;  
A47J 19/023; A47J 36/06; A47J 43/14;  
A23N 1/00; A23N 1/003  
See application file for complete search history.

(56) **References Cited**

**U.S. PATENT DOCUMENTS**

D251,405 S \* 3/1979 Ackeret ..... D7/665  
5,088,392 A \* 2/1992 Ancona ..... A47J 19/023  
99/499

D428,311 S \* 7/2000 Thackray ..... D7/665  
D465,386 S \* 11/2002 Wang ..... D7/665  
D534,826 S \* 1/2007 Jossem ..... D7/665  
7,337,711 B2 \* 3/2008 Holcomb ..... A47J 19/023  
99/508  
2003/0005832 A1 \* 1/2003 Wang ..... A47J 19/023  
100/213  
2010/0170406 A1 \* 7/2010 Chuang ..... A47J 19/023  
100/126

\* cited by examiner

*Primary Examiner* — Terry A Wallace

(74) *Attorney, Agent, or Firm* — Tutunjian & Bitetto, P.C.

(57) **CLAIM**

The ornamental design for a juicer, as shown and described.

**DESCRIPTION**

FIG. 1 is a perspective view of the juicer showing my new design;

FIG. 2 is a front view thereof;

FIG. 3 is a right side view thereof;

FIG. 4 is rear view thereof;

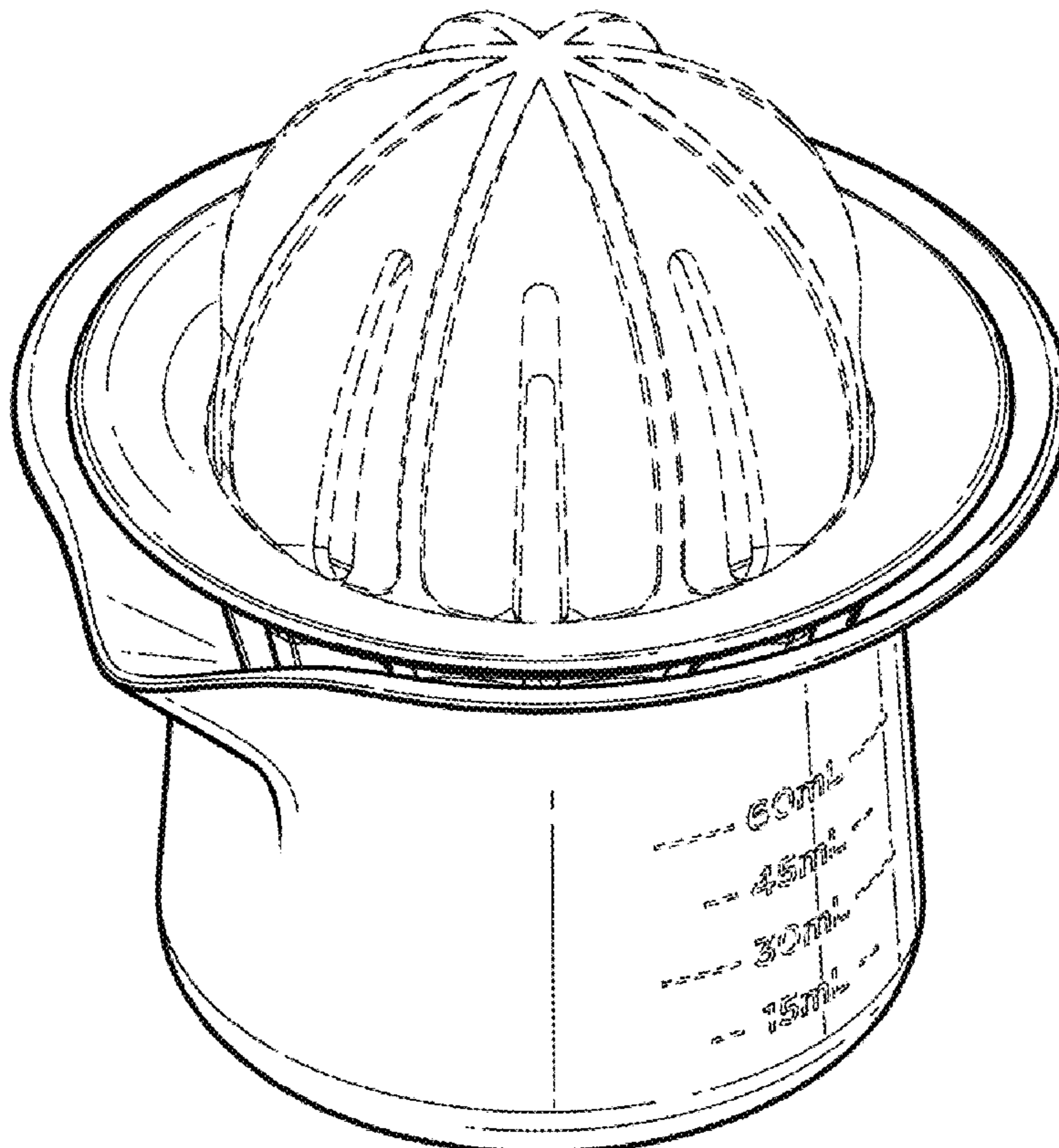
FIG. 5 is a left side view thereof;

FIG. 6 is a top view thereof; and,

FIG. 7 is a bottom view thereof.

The broken lines are for purposes of showing environmental structure and make up no part of the claimed design.

**1 Claim, 3 Drawing Sheets**



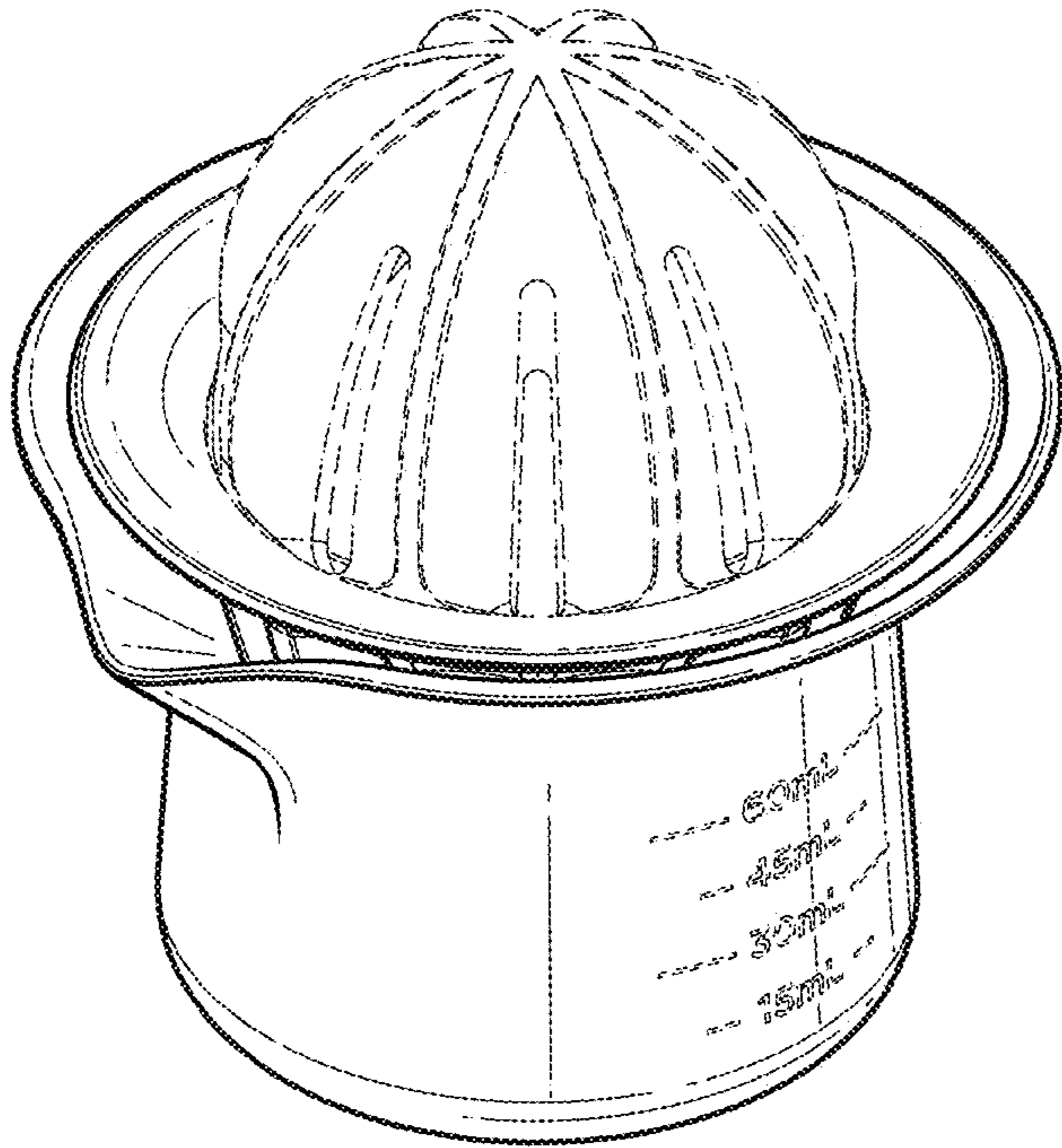


FIG. 1

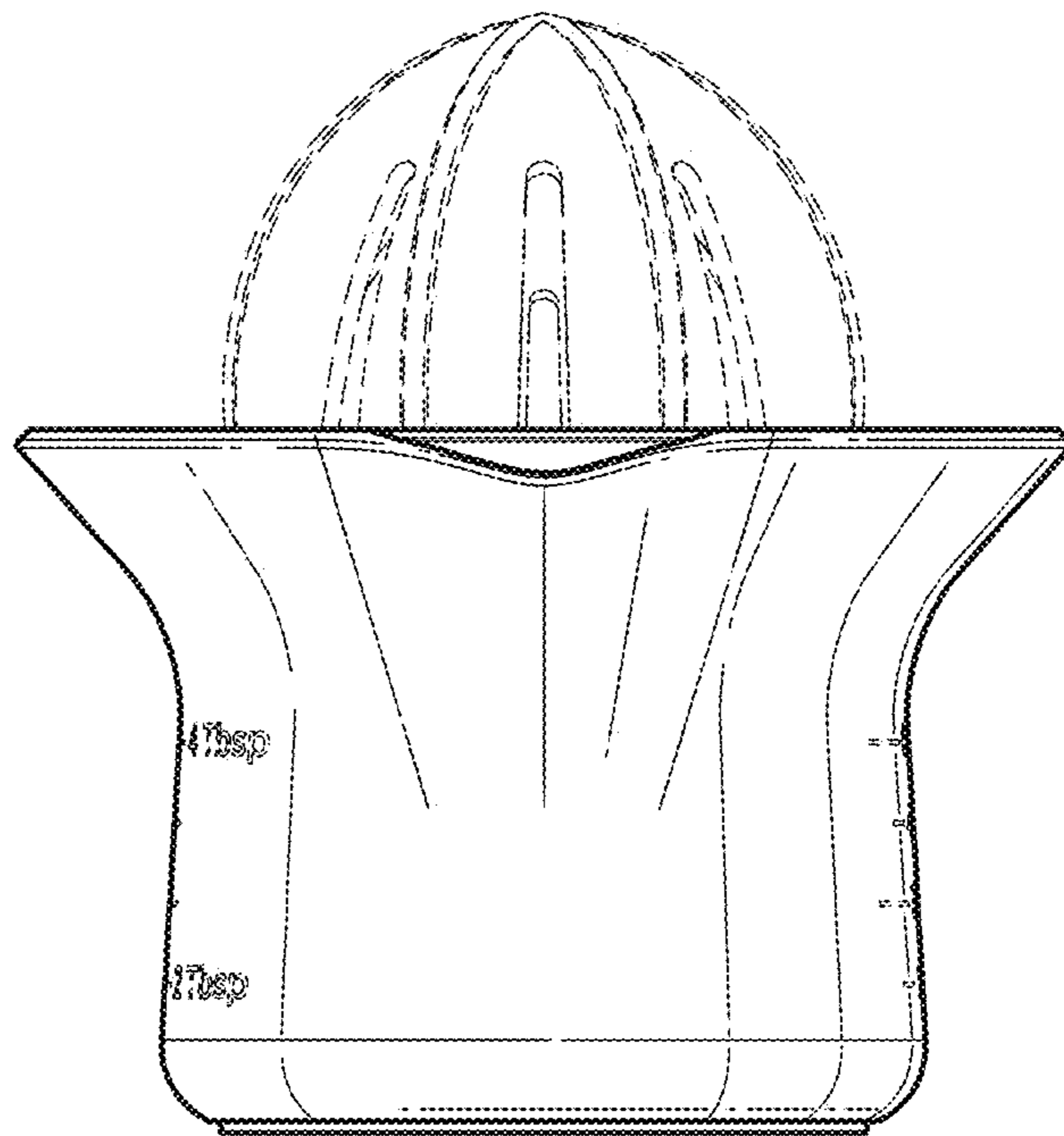


FIG. 2

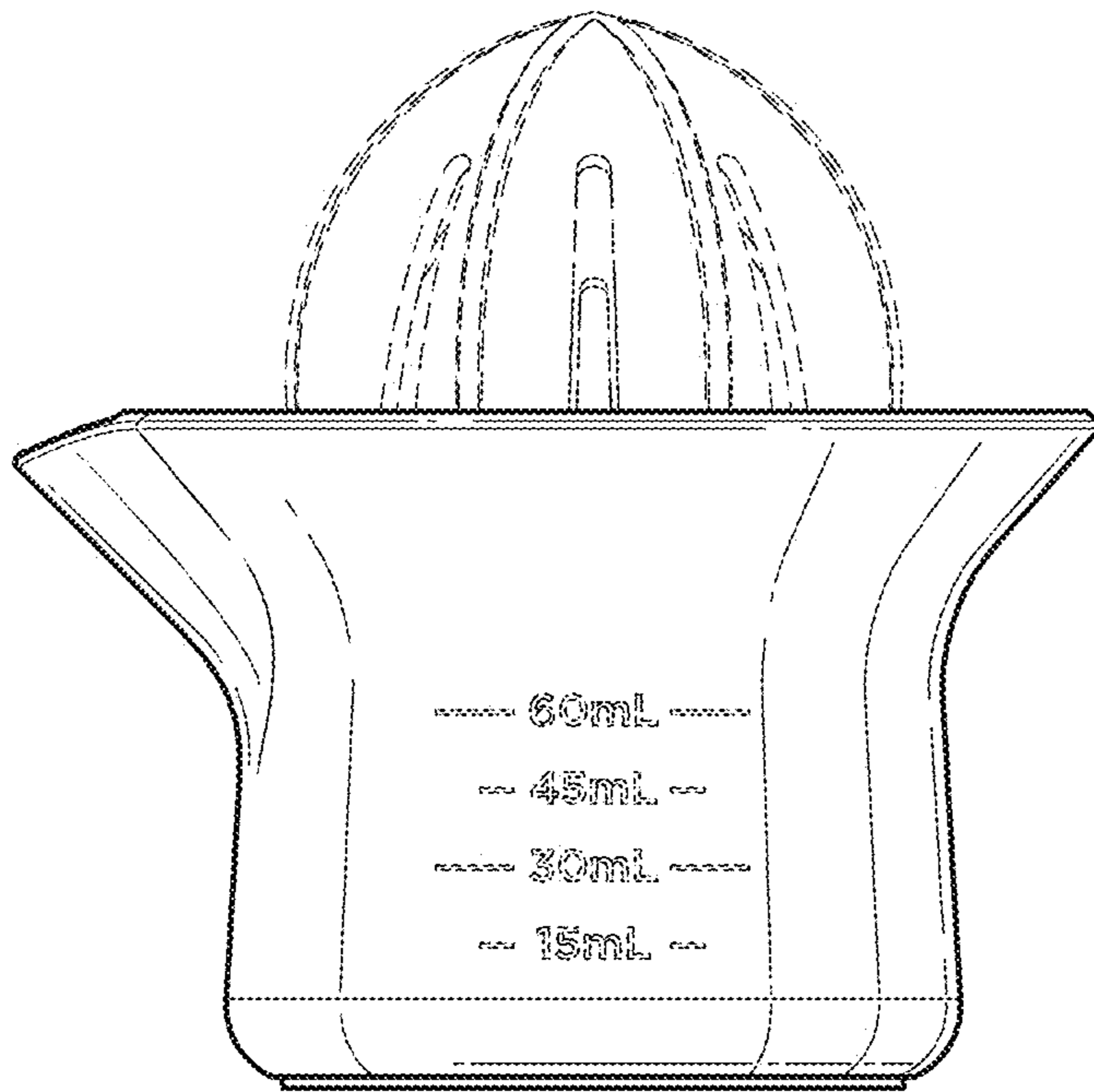


FIG. 3

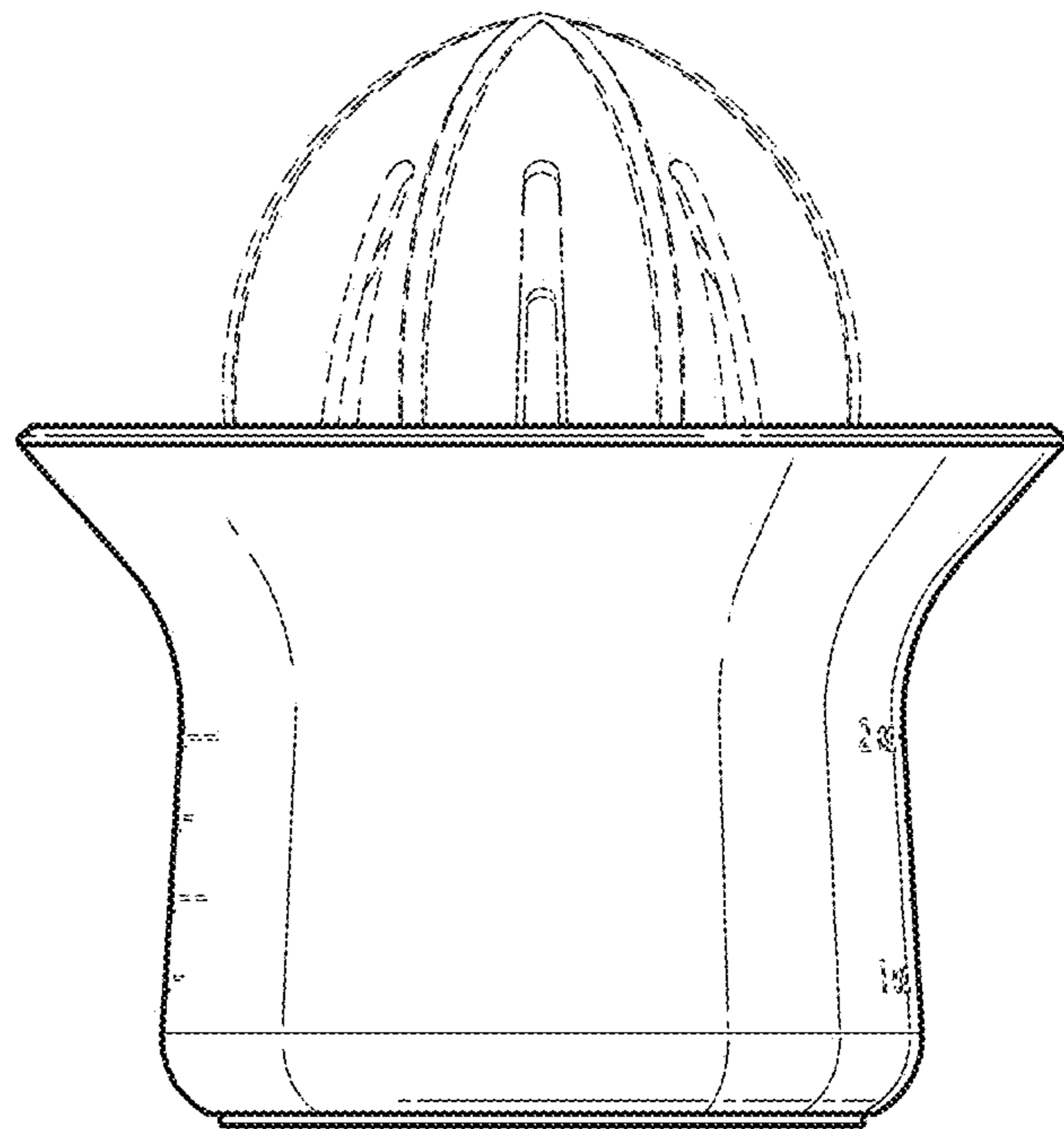


FIG. 4

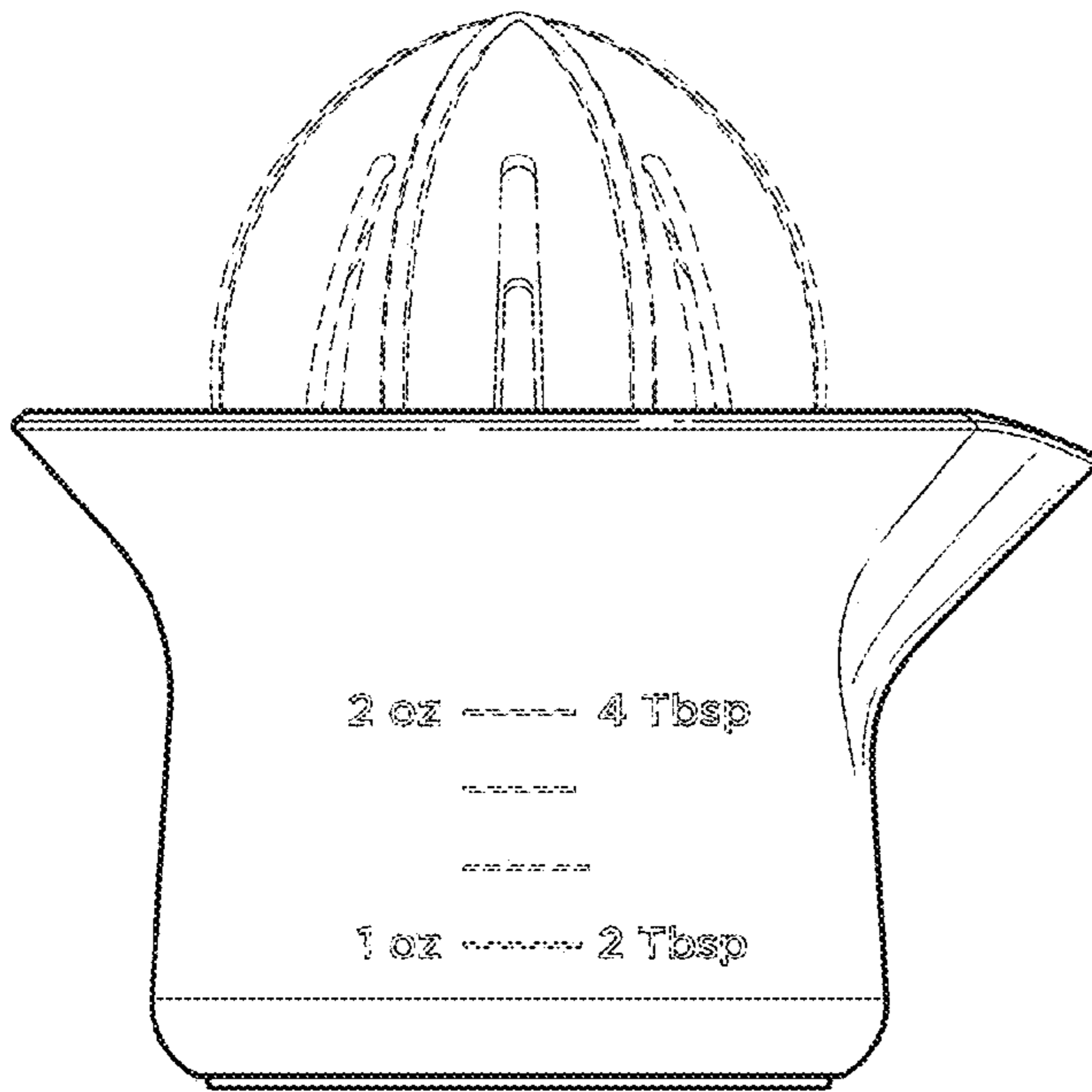


FIG. 5

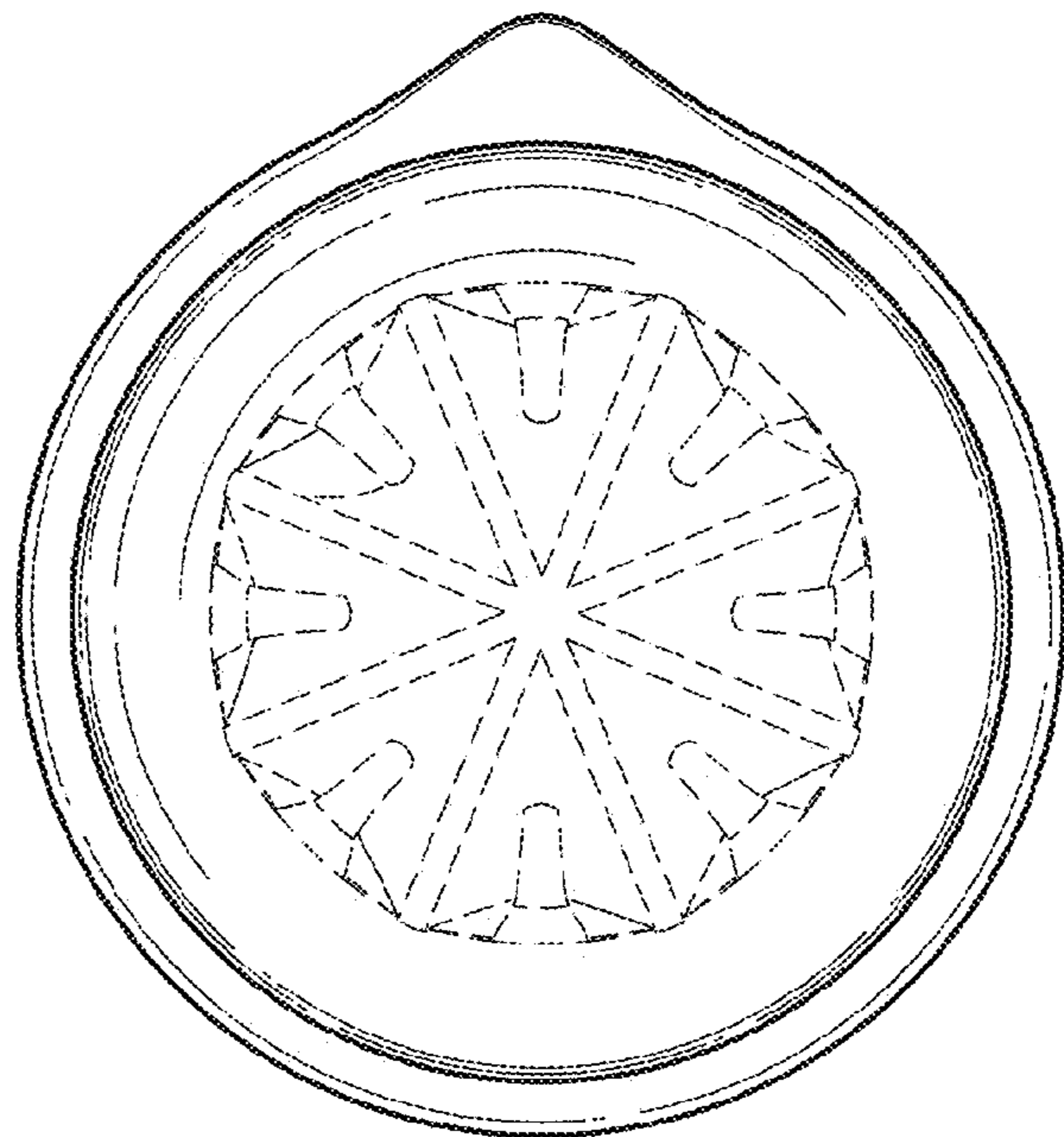


FIG. 6

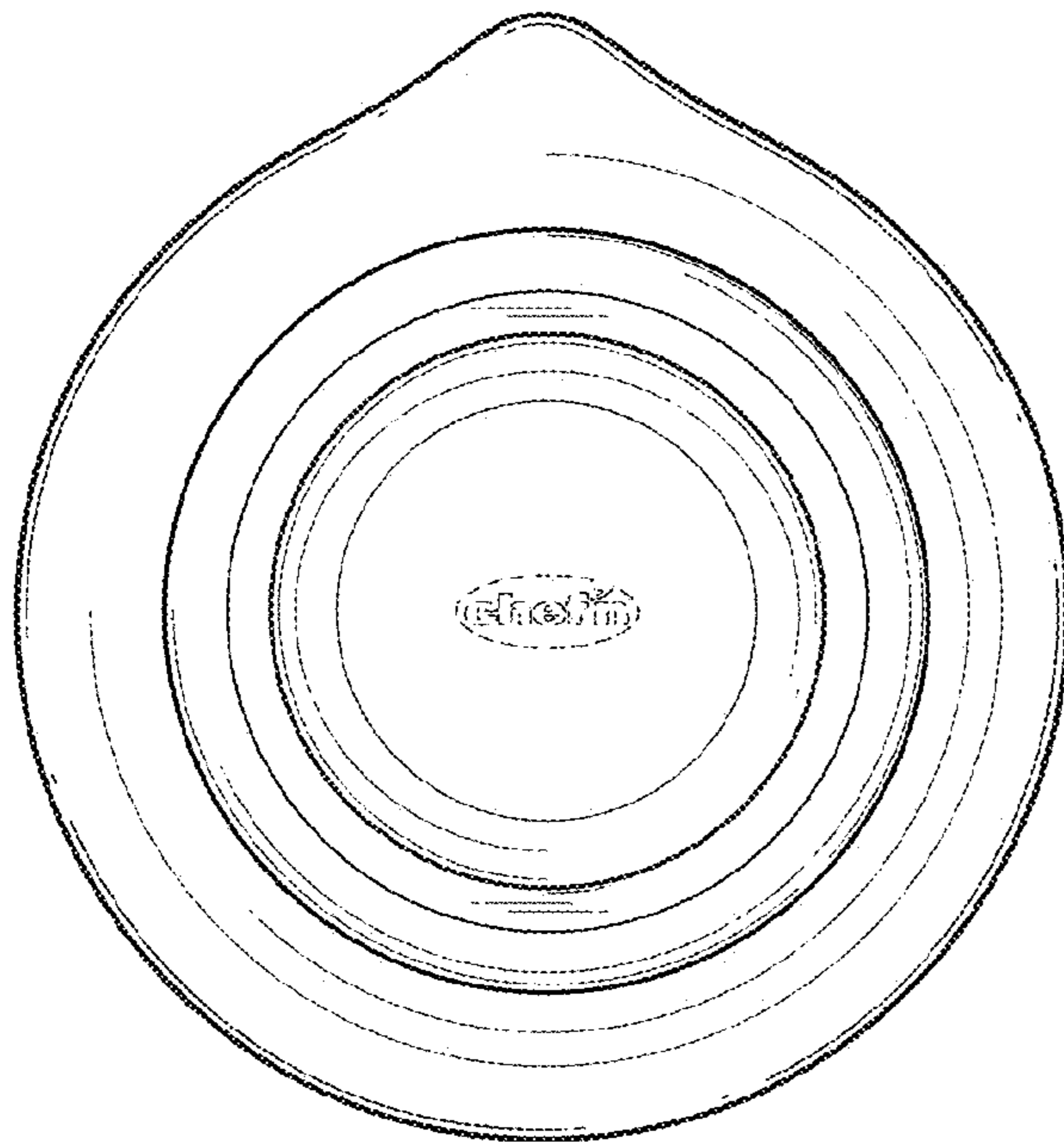


FIG. 7