



US00D905507S

(12) **United States Design Patent**
Hazelton et al.

(10) **Patent No.:** **US D905,507 S**
(45) **Date of Patent:** **** Dec. 22, 2020**

(54) **CITRUS JUICER**

(71) Applicants: **Lance Hazelton**, Maplewood, NJ (US);
Thibault Lerailler, New York, NY
(US); **Phillip Shook**, Brooklyn, NY
(US)

(72) Inventors: **Lance Hazelton**, Maplewood, NJ (US);
Thibault Lerailler, New York, NY
(US); **Phillip Shook**, Brooklyn, NY
(US)

(73) Assignee: **Helen of Troy Limited**, St. Michael
(BB)

(**) Term: **15 Years**

(21) Appl. No.: **29/672,034**

(22) Filed: **Dec. 3, 2018**

(51) **LOC (12) Cl.** **31-00**

(52) **U.S. Cl.**
USPC **D7/665**

(58) **Field of Classification Search**
USPC D7/300.2, 635, 667, 669, 665, 670, 700
(Continued)

(56) **References Cited**

U.S. PATENT DOCUMENTS

1,517,339 A * 12/1924 Brown A47J 19/023
99/508
2,781,069 A * 2/1957 Byrd A47J 19/023
99/508

(Continued)

FOREIGN PATENT DOCUMENTS

CN 3630162 * 4/2006
CN 300695365 * 10/2007

OTHER PUBLICATIONS

Amazon.com, OXO Steel Small Citrus Juicer, Earliest date listed on
Amazon Apr. 29, 2016, [site visited Mar. 9, 2020], Available on the

Internet URL <https://www.amazon.com/OXO-Citrus-Juicer-Measuring-Strainer/dp/B01EYIUWJ2> (Year: 2016).*

(Continued)

Primary Examiner — Karen S Acker

Assistant Examiner — Steven B Reinholdt, Jr.

(74) *Attorney, Agent, or Firm* — Rankin, Hill & Clark
LLP

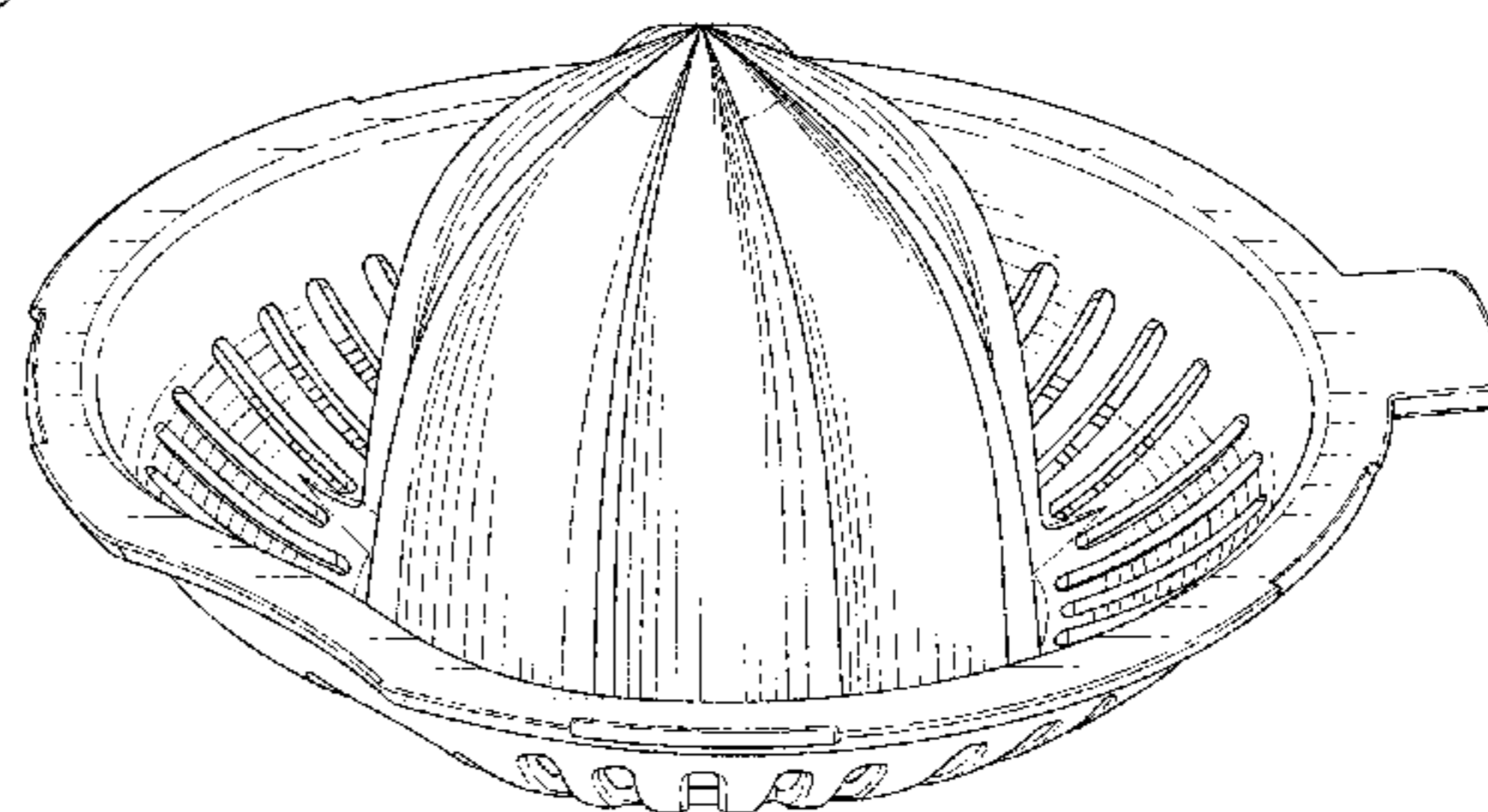
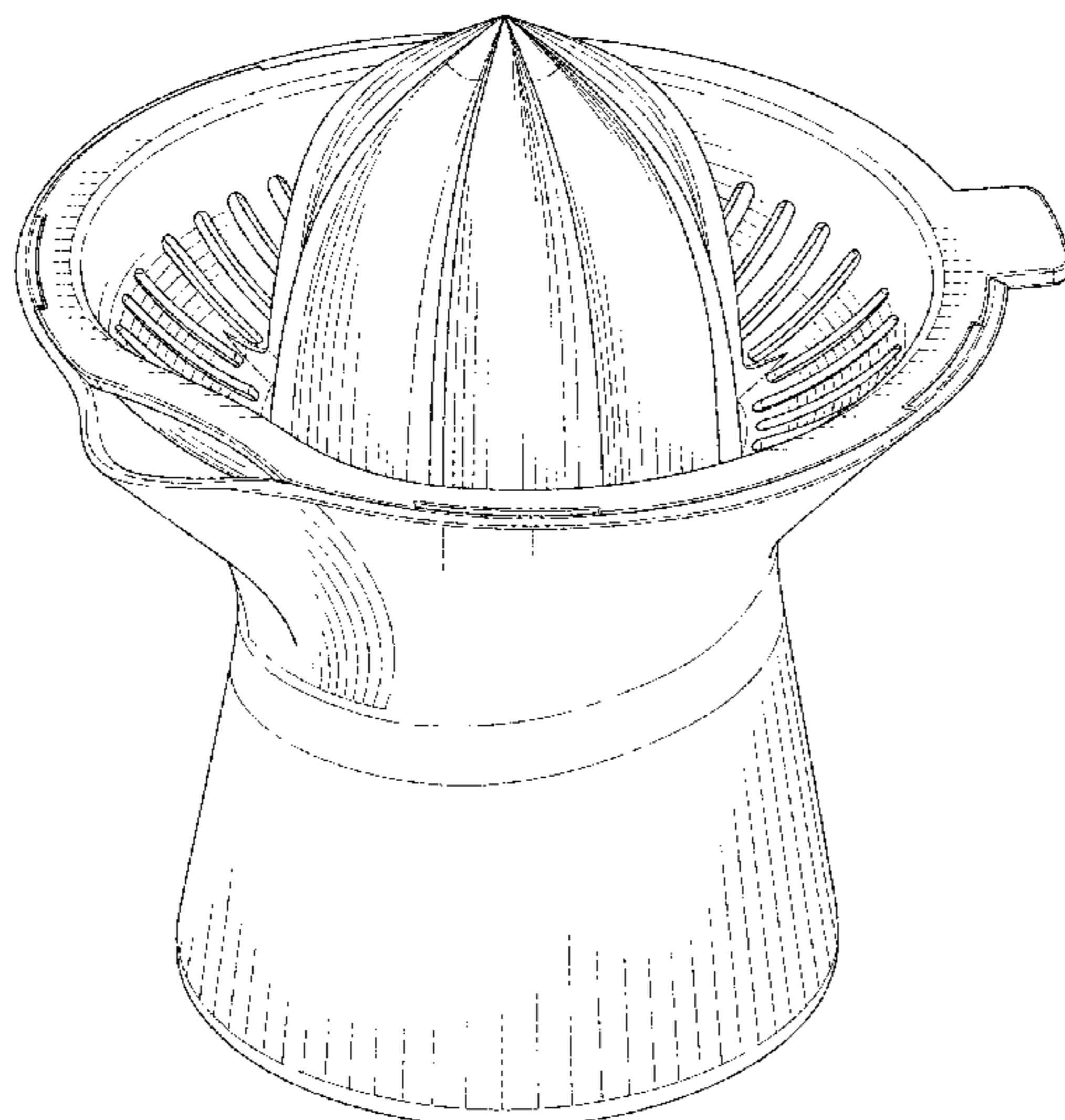
(57) **CLAIM**

The ornamental design for a citrus juicer, as shown, and
described.

DESCRIPTION

FIG. 1 is a perspective view of the citrus juicer showing the
new design;
FIG. 2 is a rear elevation view thereof;
FIG. 3 is a front elevation view thereof;
FIG. 4 is a right side view thereof;
FIG. 5 is a left side view thereof;
FIG. 6 is top plan view thereof;
FIG. 7 is a bottom plan view thereof;
FIG. 8 is a perspective view of the top of the two separable
parts of the citrus juicer of FIG. 1;
FIG. 9 is a rear elevation view thereof;
FIG. 10 is a front elevation view thereof;
FIG. 11 is a right side view thereof;
FIG. 12 is a left side view thereof;
FIG. 13 is top plan view thereof;
FIG. 14 is a bottom plan view thereof;
FIG. 15 is a perspective view of the bottom container of the
two separable parts of the citrus juicer of FIG. 1;
FIG. 16 is a rear elevation view thereof;
FIG. 17 is a front elevation view thereof;
FIG. 18 is a right side view thereof;
FIG. 19 is a left side view thereof;
FIG. 20 is top plan view thereof; and,
FIG. 21 is a bottom plan view thereof.

1 Claim, 21 Drawing Sheets



(58) **Field of Classification Search**
 CPC A23P 20/15; A47J 19/023; A47J 19/022;
 A47J 19/02; A23N 1/003; B30B 9/02
 See application file for complete search history.

(56) **References Cited**

U.S. PATENT DOCUMENTS

D279,157 S * 6/1985 Gecchelin D7/665
 4,534,108 A * 8/1985 Yamamoto A47J 19/023
 7/152
 D307,090 S * 4/1990 DeCoster D7/665
 5,088,392 A * 2/1992 Ancona A47J 19/023
 99/499
 D366,398 S * 1/1996 Alessi Anghini D7/665
 6,138,556 A * 10/2000 Yu A47J 19/023
 99/504
 D512,880 S * 12/2005 de Groote D7/400
 D534,826 S * 1/2007 Jossem D7/665
 D664,011 S * 7/2012 Affonso D7/665
 9,095,169 B1 * 8/2015 Foley A23N 1/003
 D747,936 S * 1/2016 Chitayat D7/510
 D756,173 S * 5/2016 Decaris D7/665
 D756,718 S * 5/2016 Breit D7/665
 D757,500 S * 5/2016 Hauser D7/665
 D757,501 S * 5/2016 Cotter D7/665
 D761,628 S * 7/2016 Chitayat D15/90
 D805,359 S * 12/2017 Kim D7/665
 2003/0005832 A1 * 1/2003 Wang A47J 19/023
 100/213

2005/0284309 A1* 12/2005 de Groote A47J 17/18
 99/508
 2007/0107608 A1* 5/2007 Holcomb A47J 19/023
 99/495
 2007/0272091 A1* 11/2007 Hsien A47J 19/023
 99/501
 2010/0170406 A1* 7/2010 Chuang A47J 19/023
 100/126
 2011/0219959 A1* 9/2011 Hauser A47J 19/023
 99/508
 2017/0245668 A1* 8/2017 Upston A47J 36/06

OTHER PUBLICATIONS

Amazon.com, OXO Good Grips 2-in-1 Citrus Juicer, Earliest date listed on Amazon Mar. 26, 2016, [site visited Mar. 9, 2020], Available on the Internet URL <https://www.amazon.com/OXO-Good-Grips-Citrus-Juicer/dp/B07PY5HP46> (Year: 2016).*

YouTube.com—OXO, OXO Small Cirtus Juicer, Publication date Apr. 1, 2019, [site visited on Mar. 9, 2020], Available on the Internet URL https://www.youtube.com/watch?v=atrj_d_6y4w (Year: 2019).*

Wayfair website, OXO Good Grips Small Citrus Juicer, Earliest comment date Jan. 23, 2017, [site visited on Mar. 9, 2020], Available on the Internet URL <https://www.wayfair.com/kitchen-tabletop/pdx/oxo-good-grips-small-citrus-juicer-oxo1740.html> (Year: 2017).*

* cited by examiner

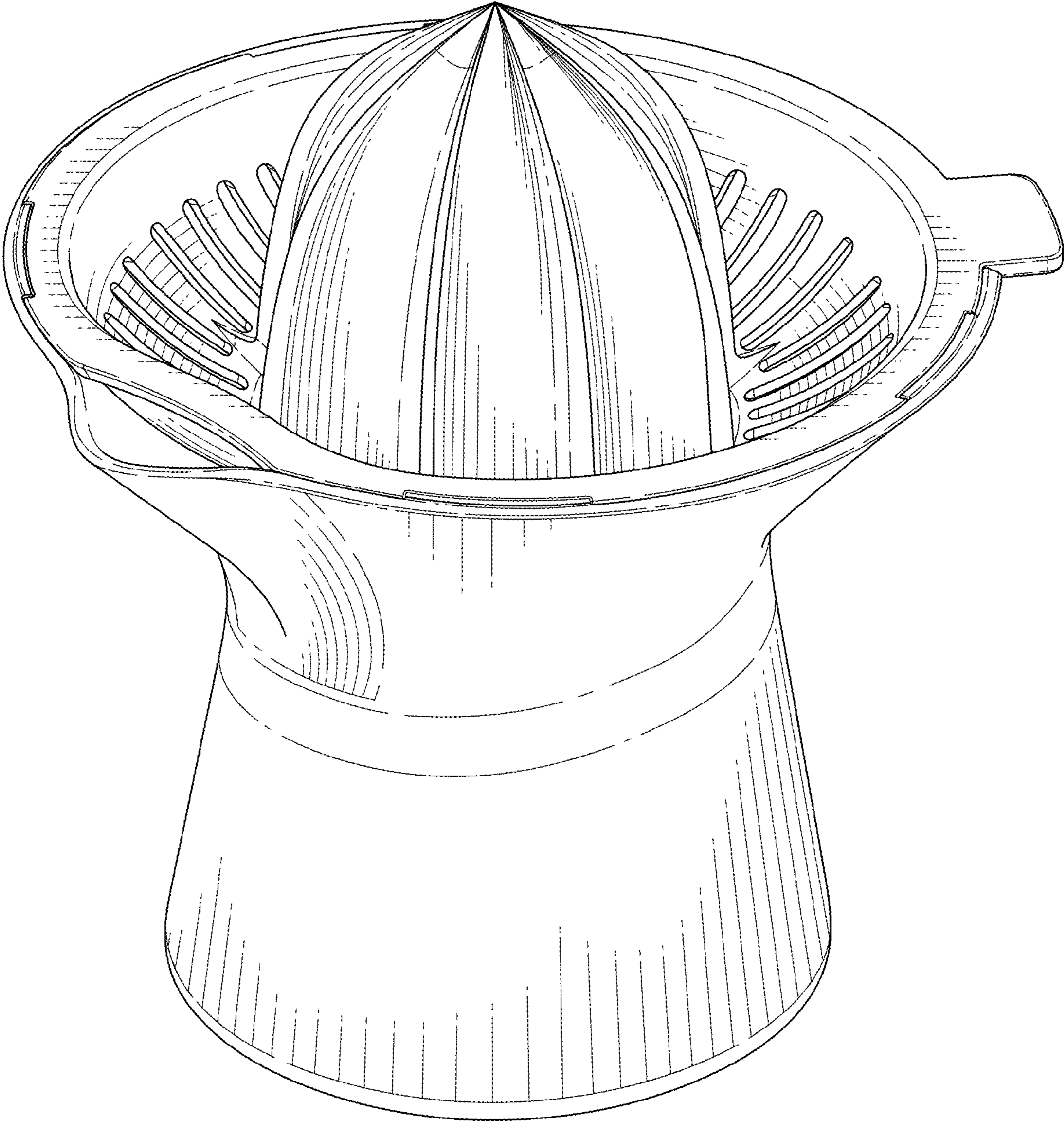


FIG. 1

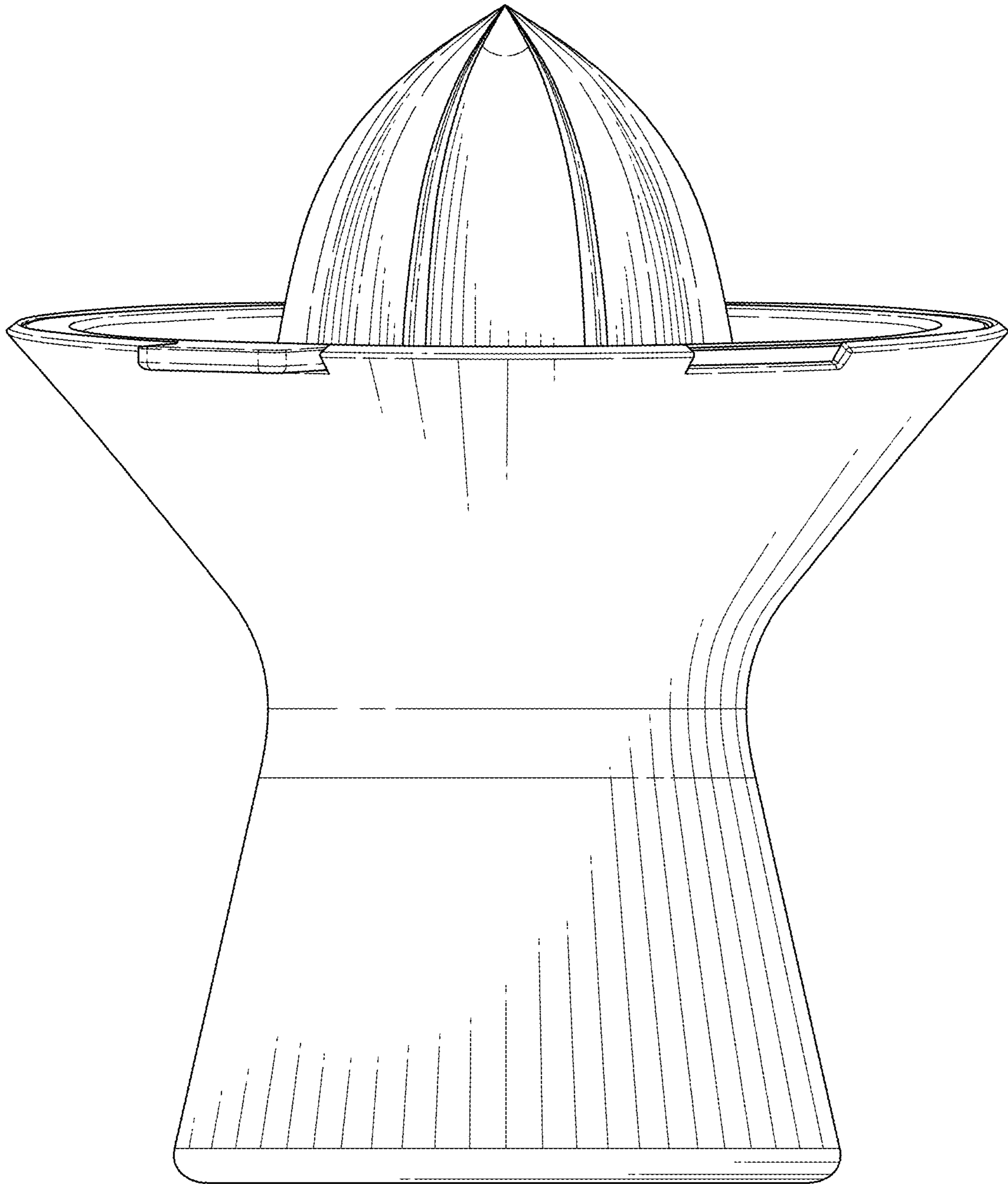


FIG. 2

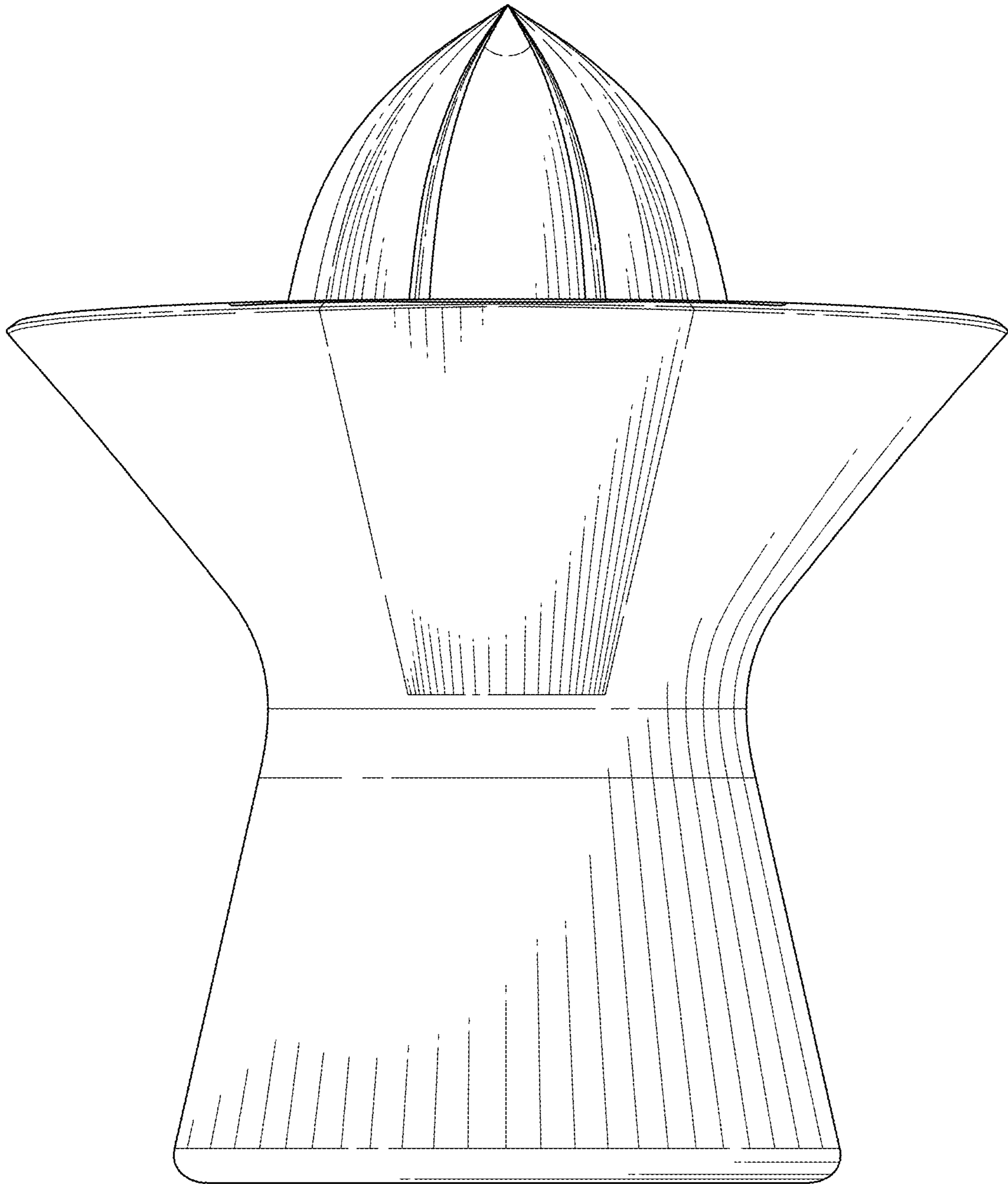


FIG. 3

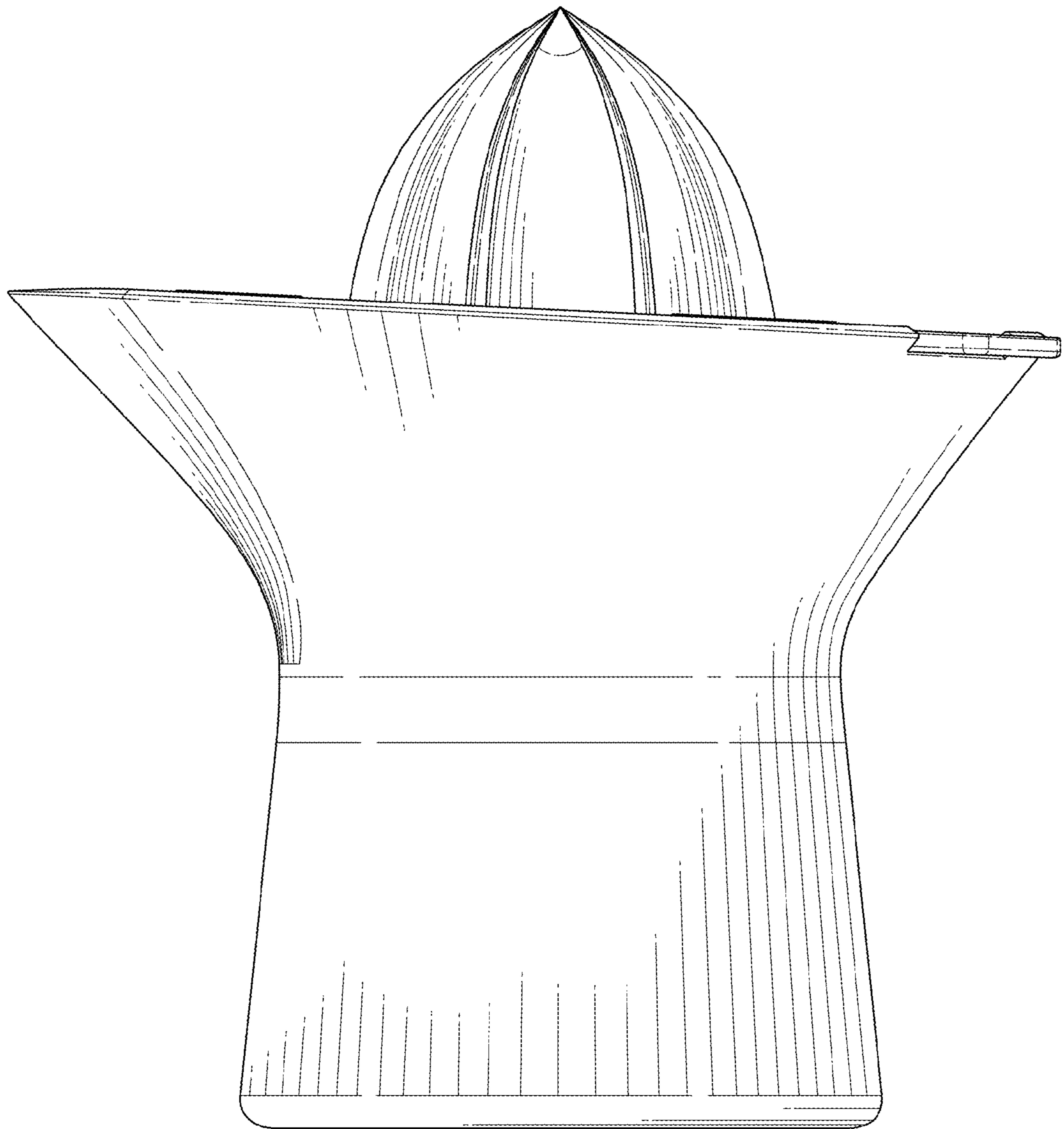


FIG. 4

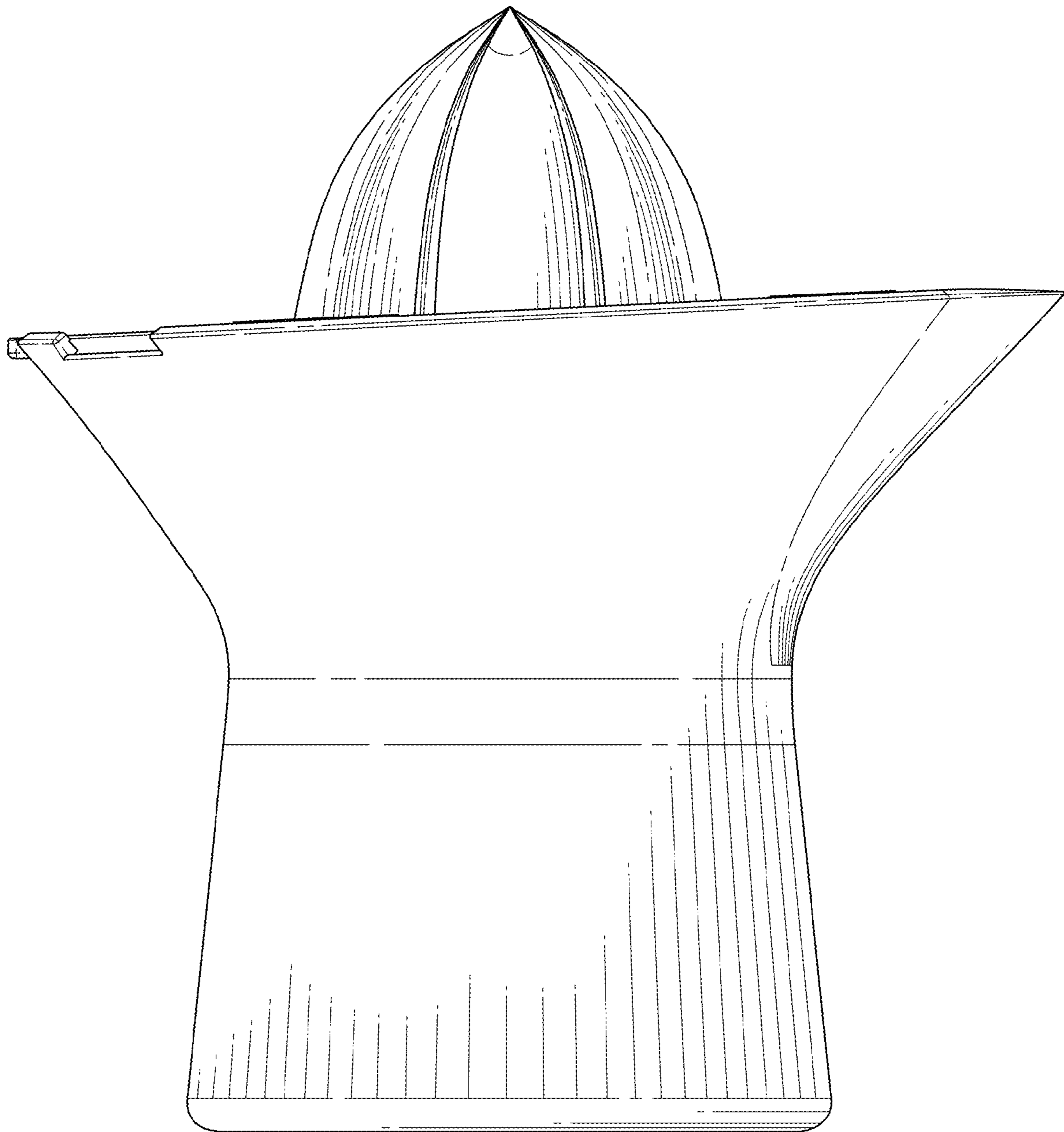


FIG. 5

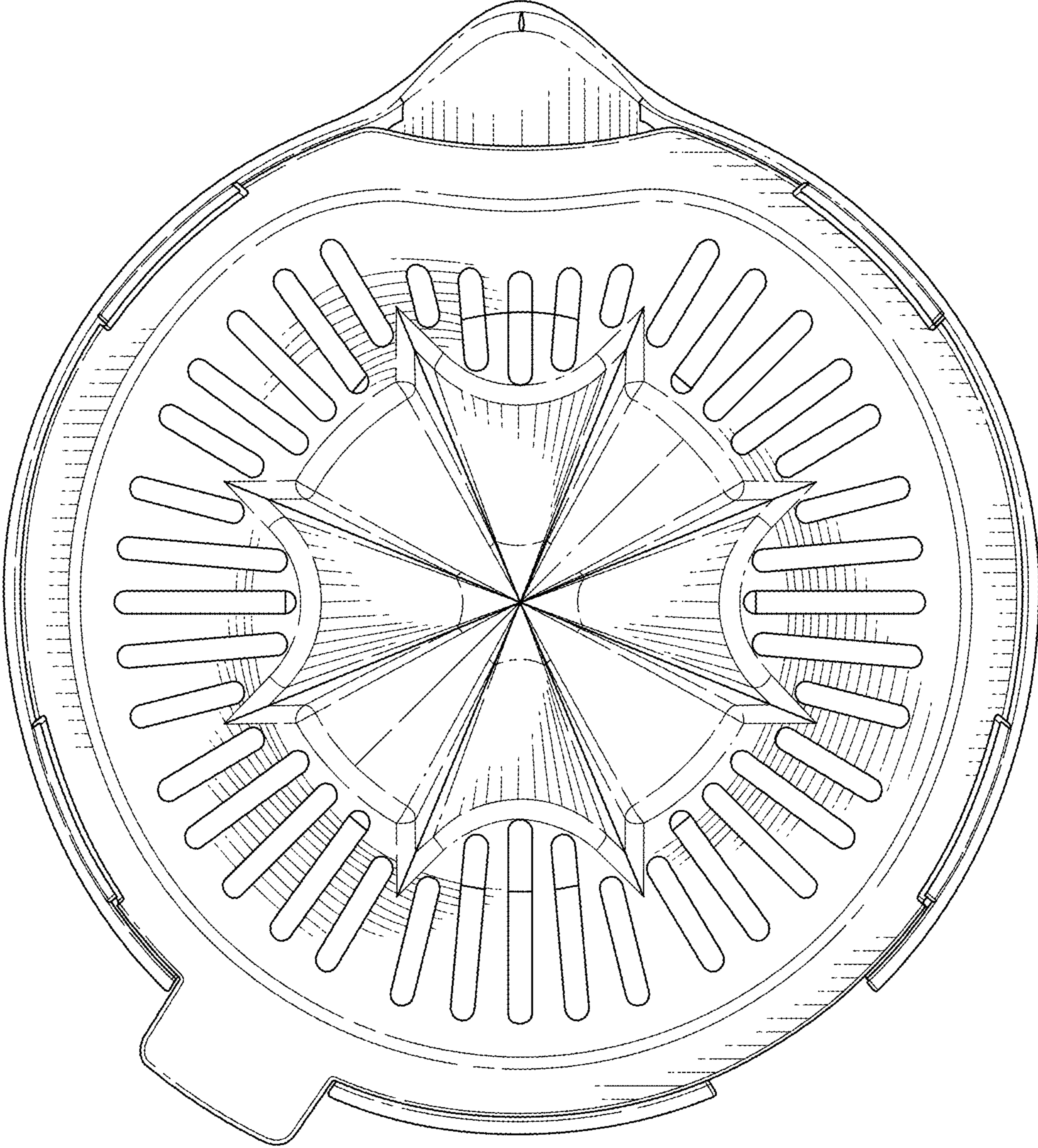


FIG. 6

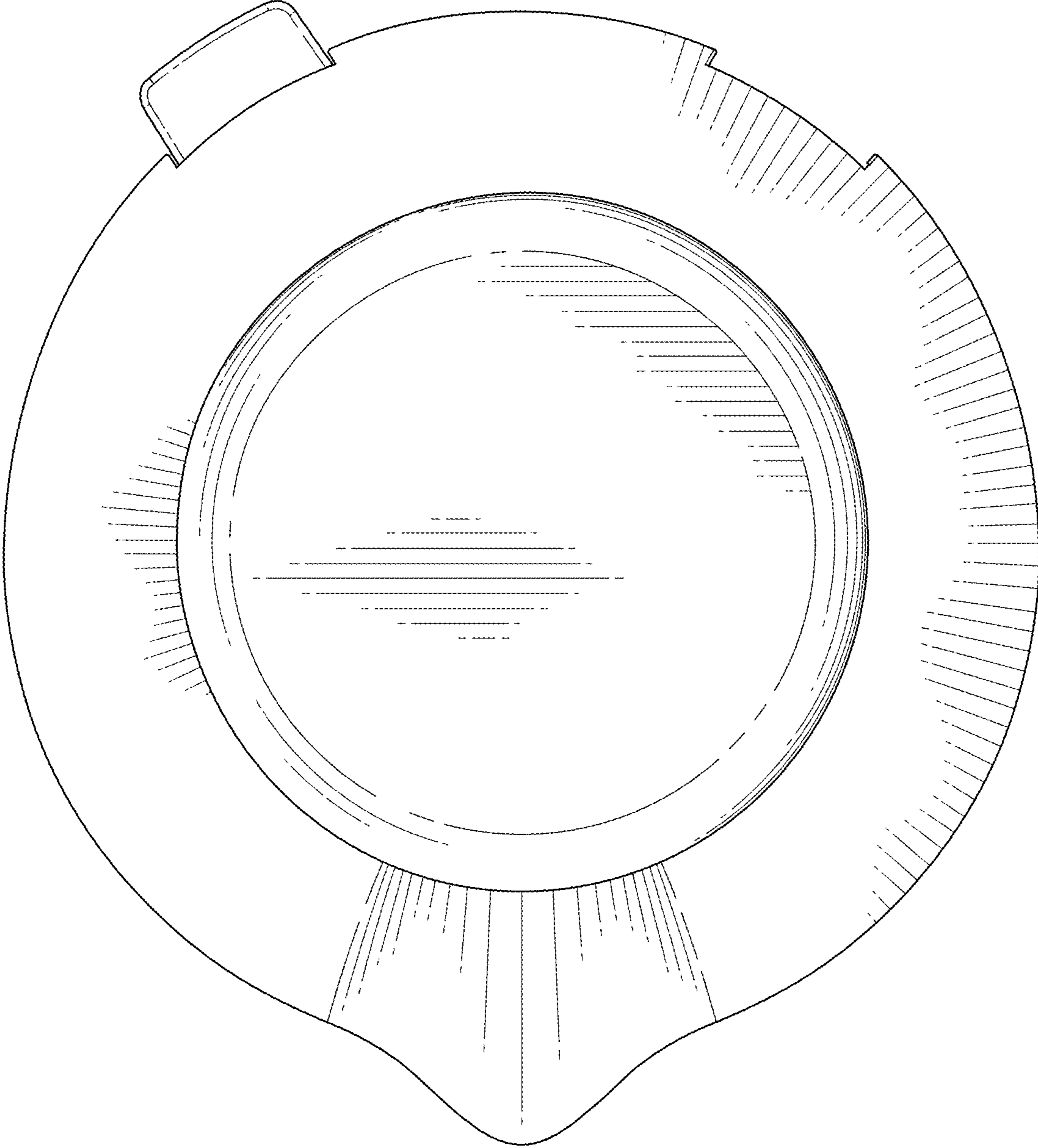


FIG. 7

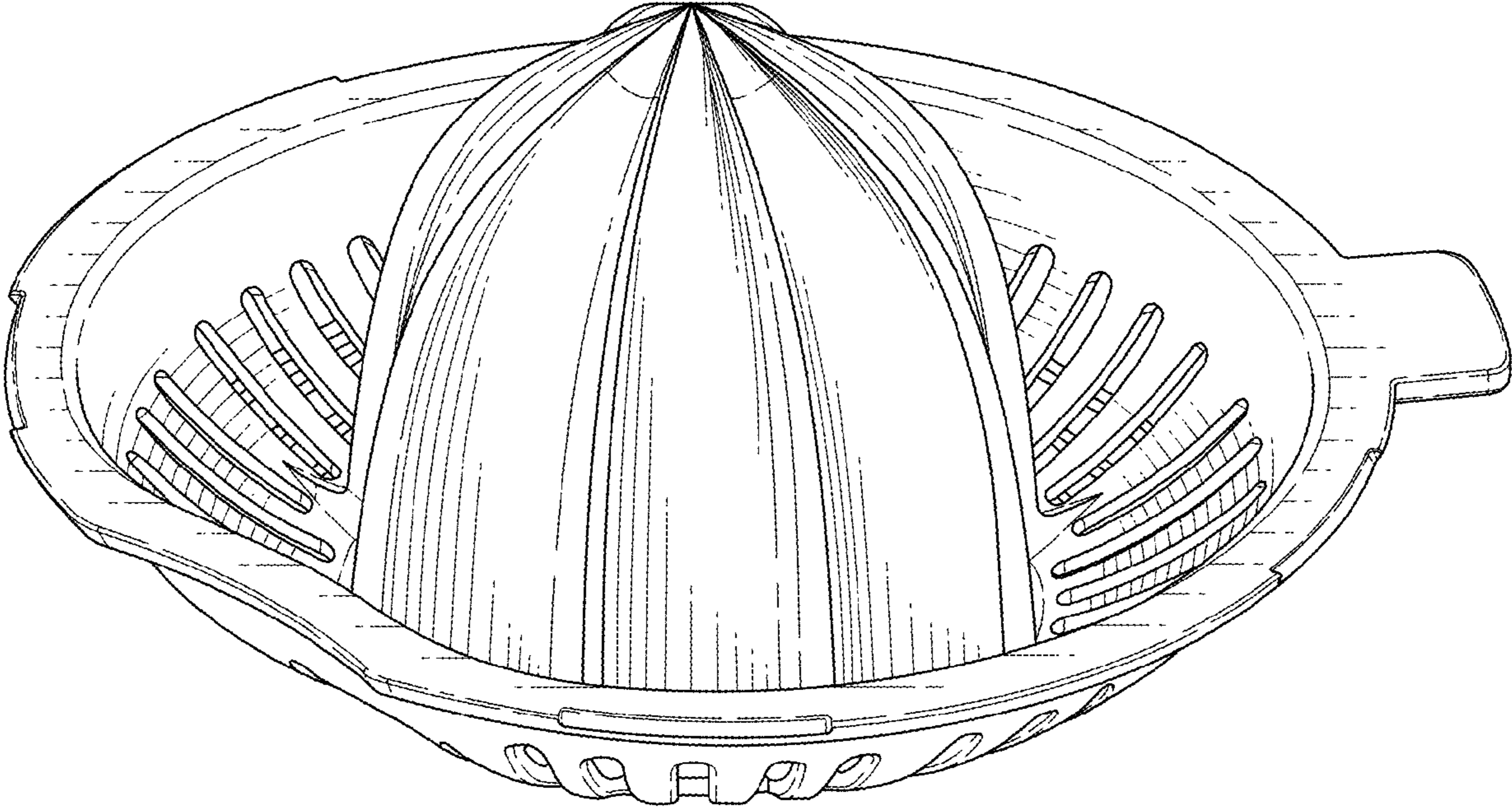


FIG. 8

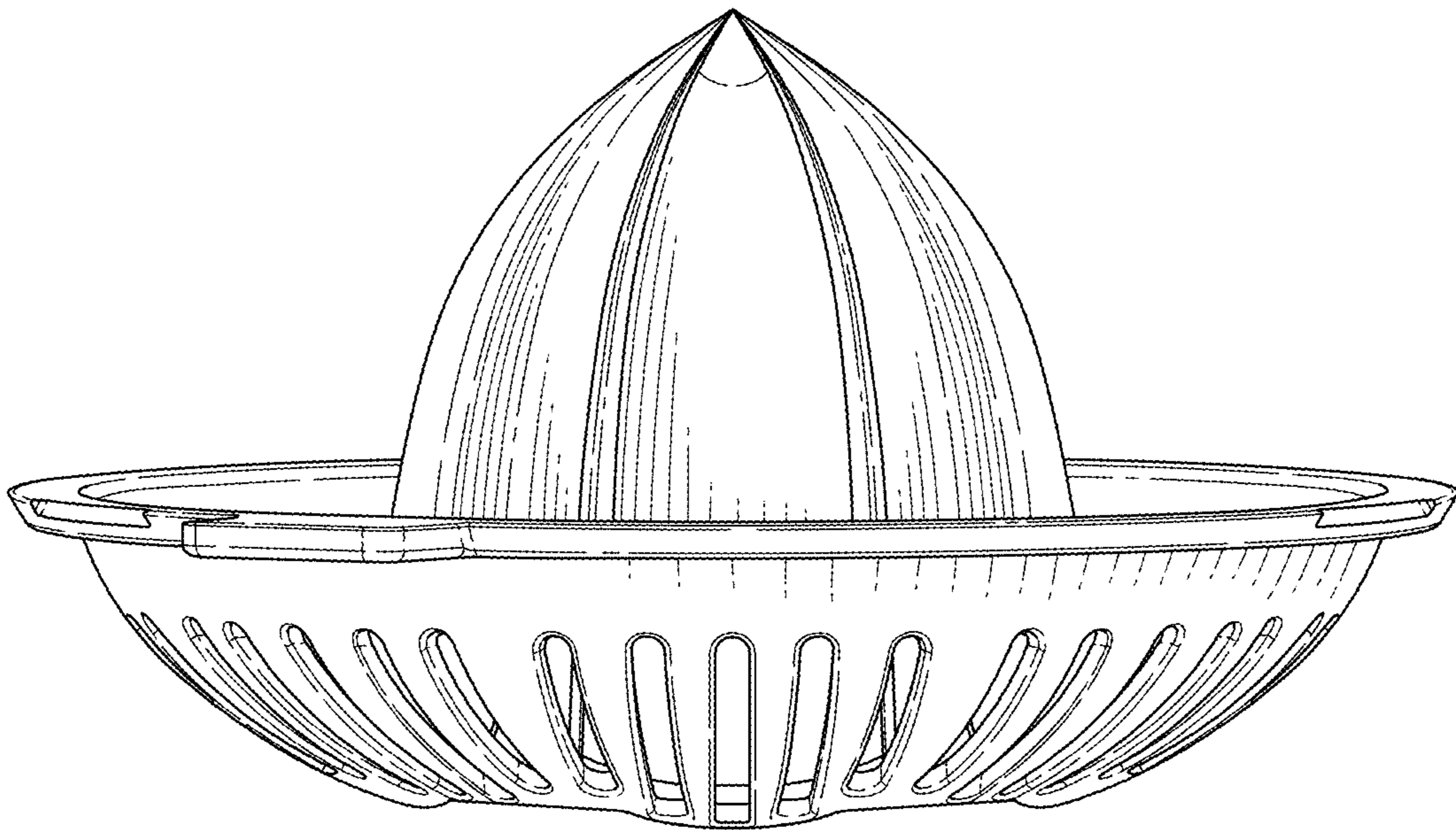


FIG. 9

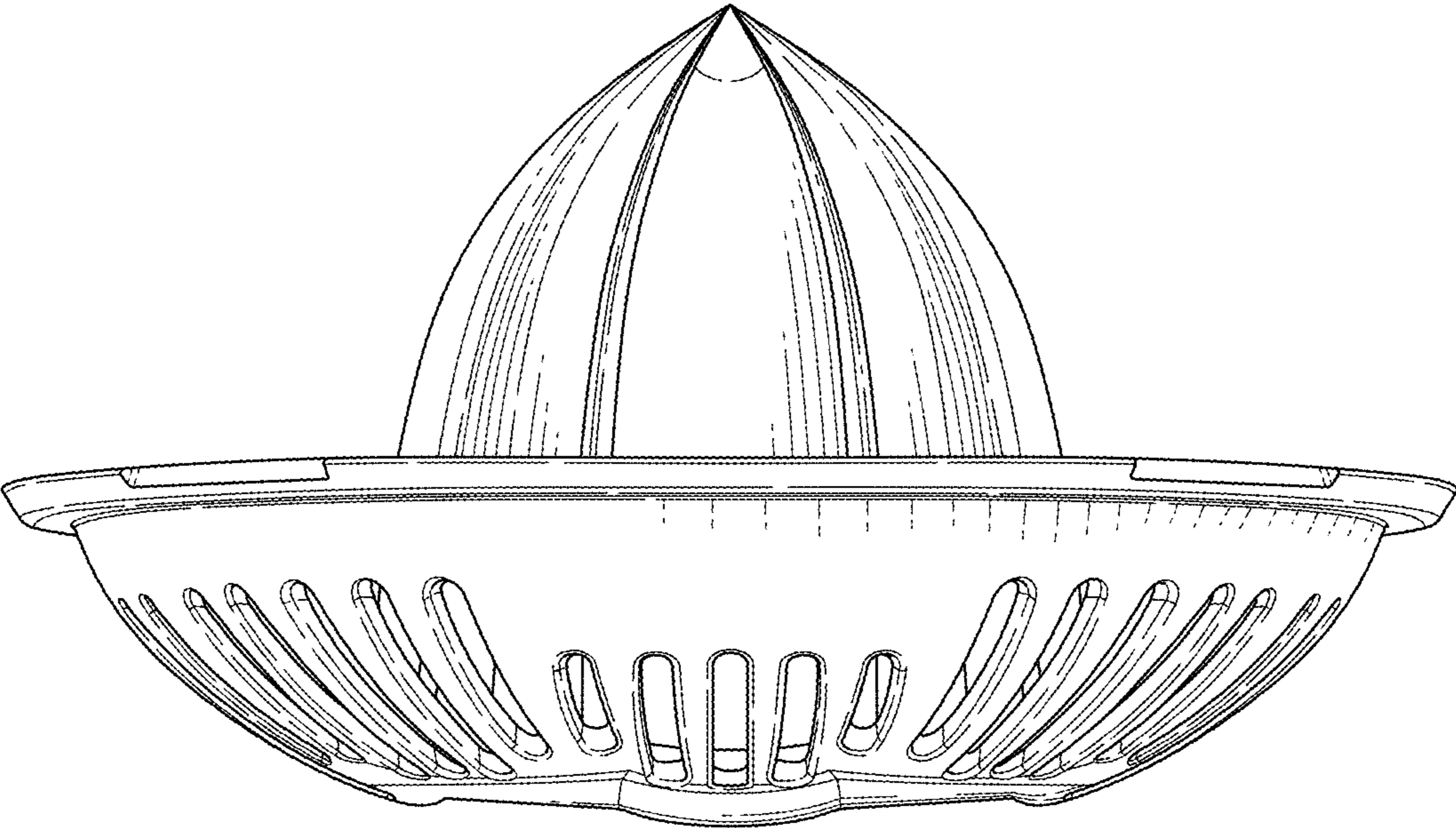


FIG. 10

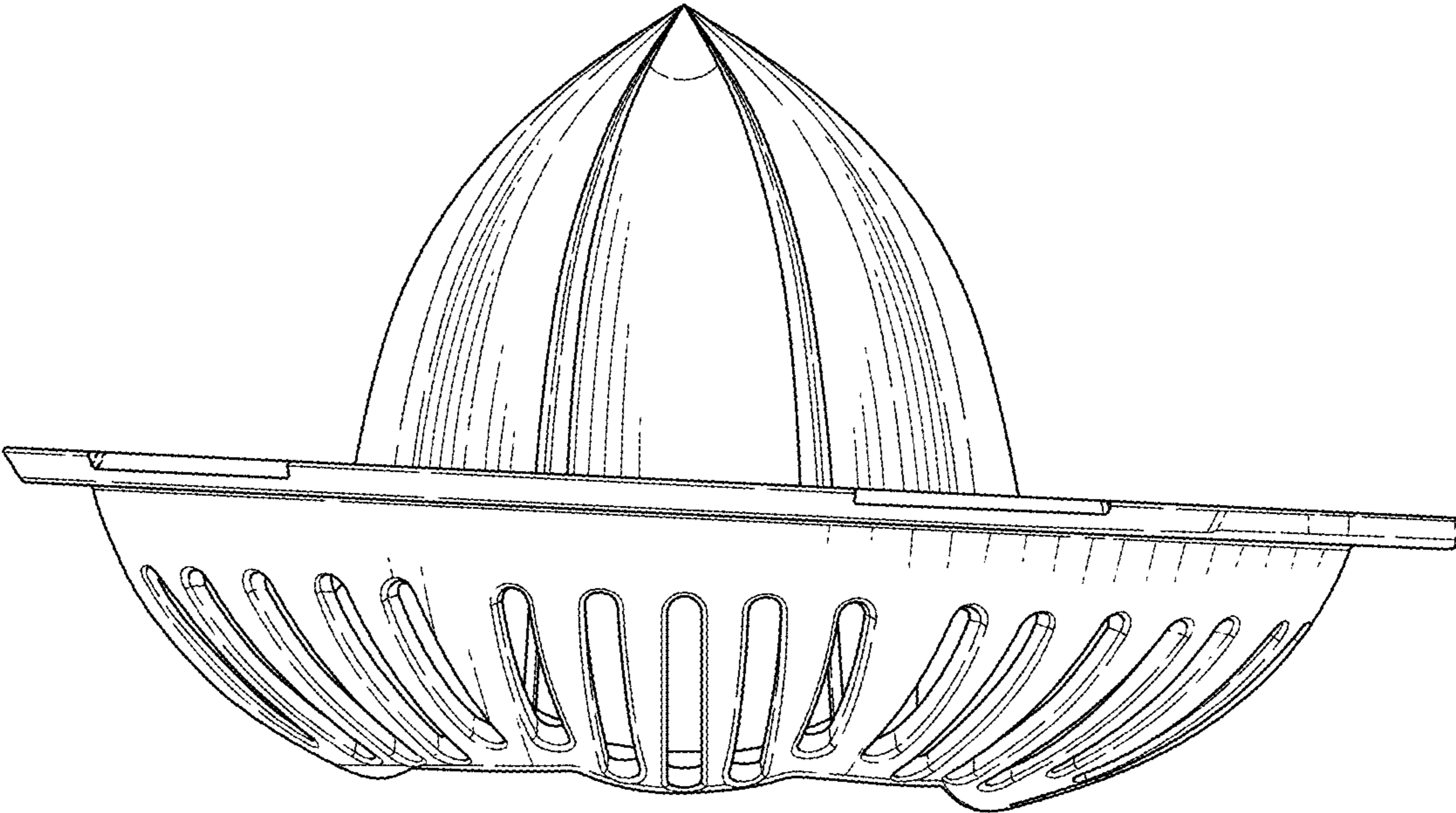


FIG. 11

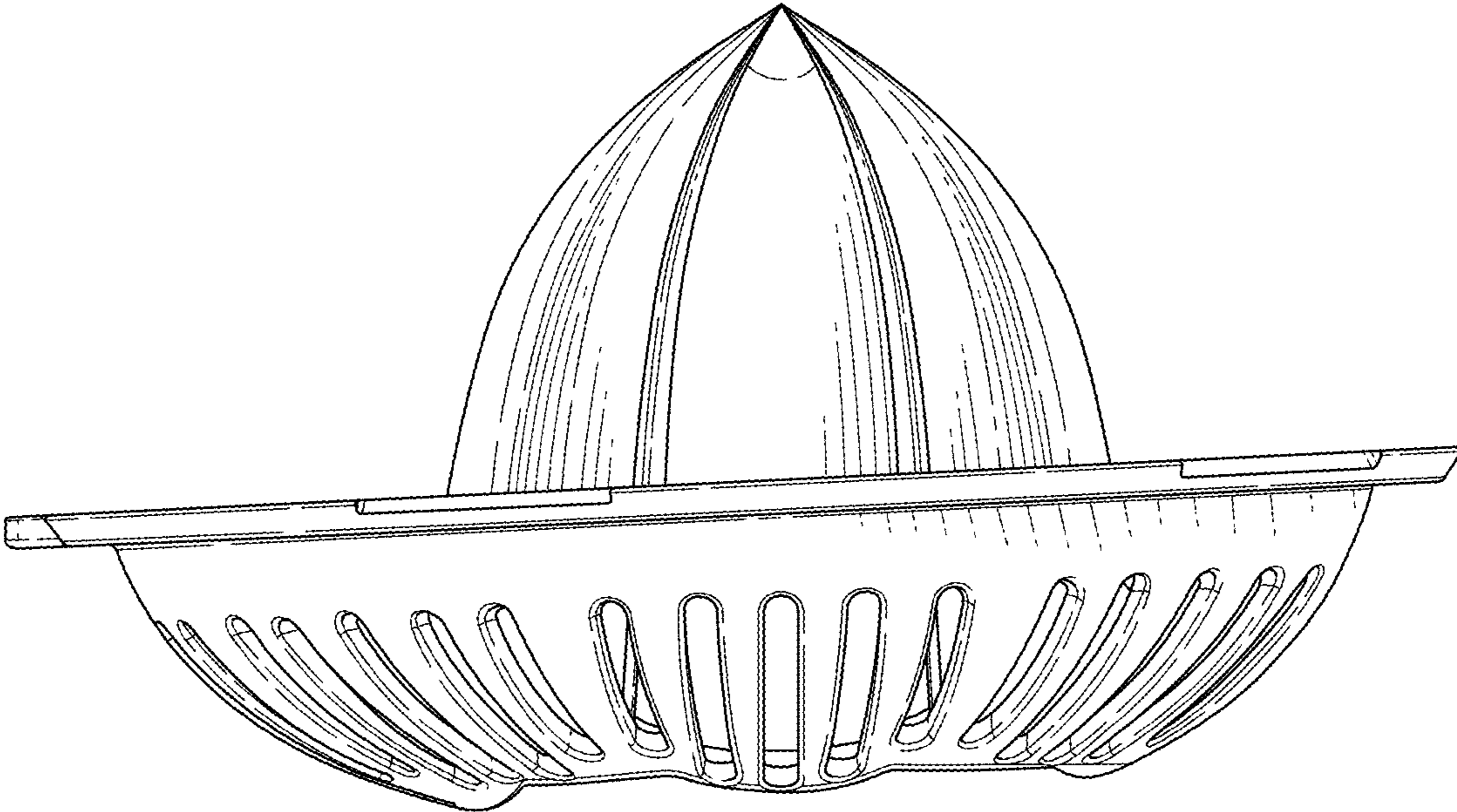


FIG. 12

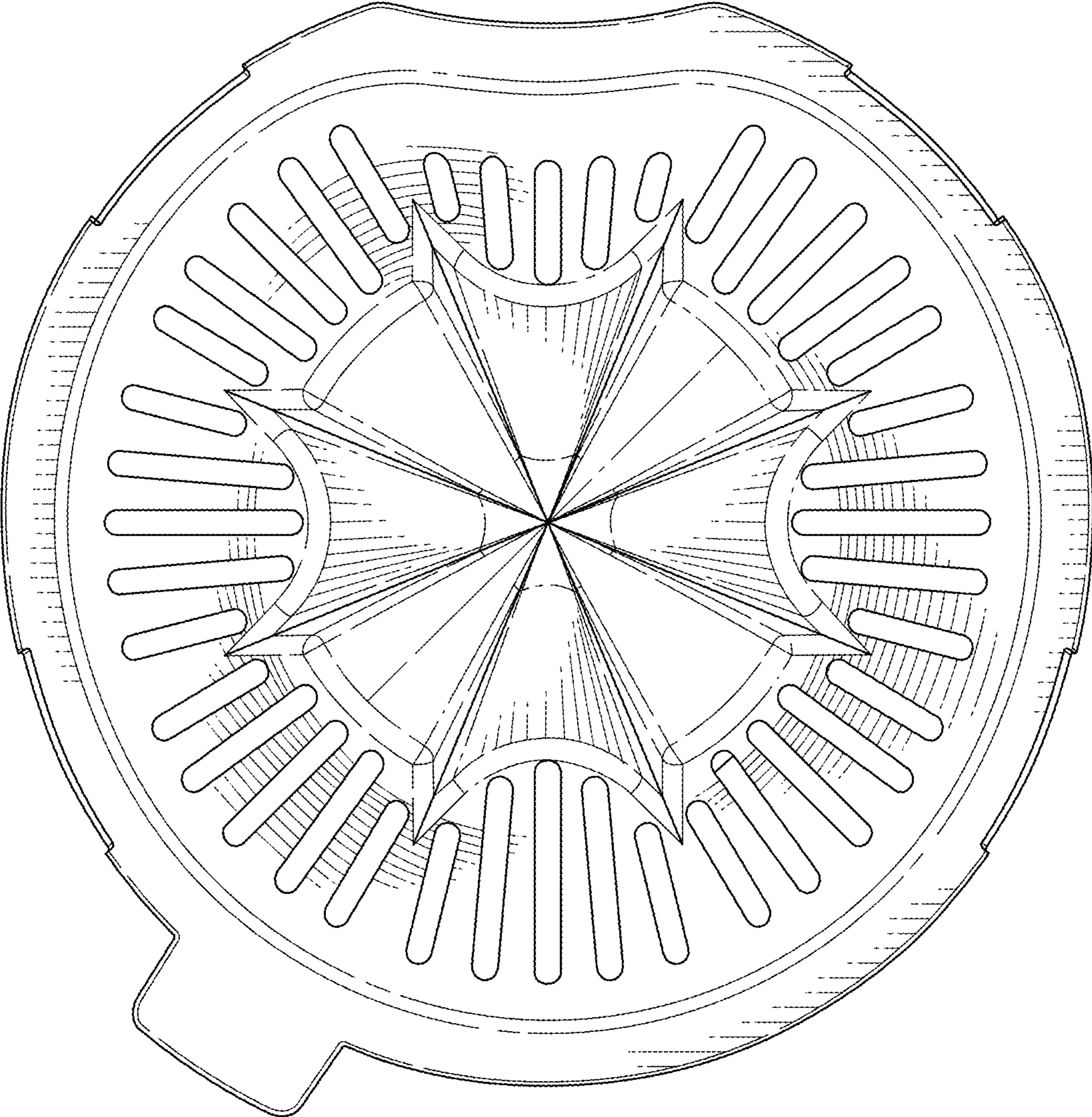


FIG. 13

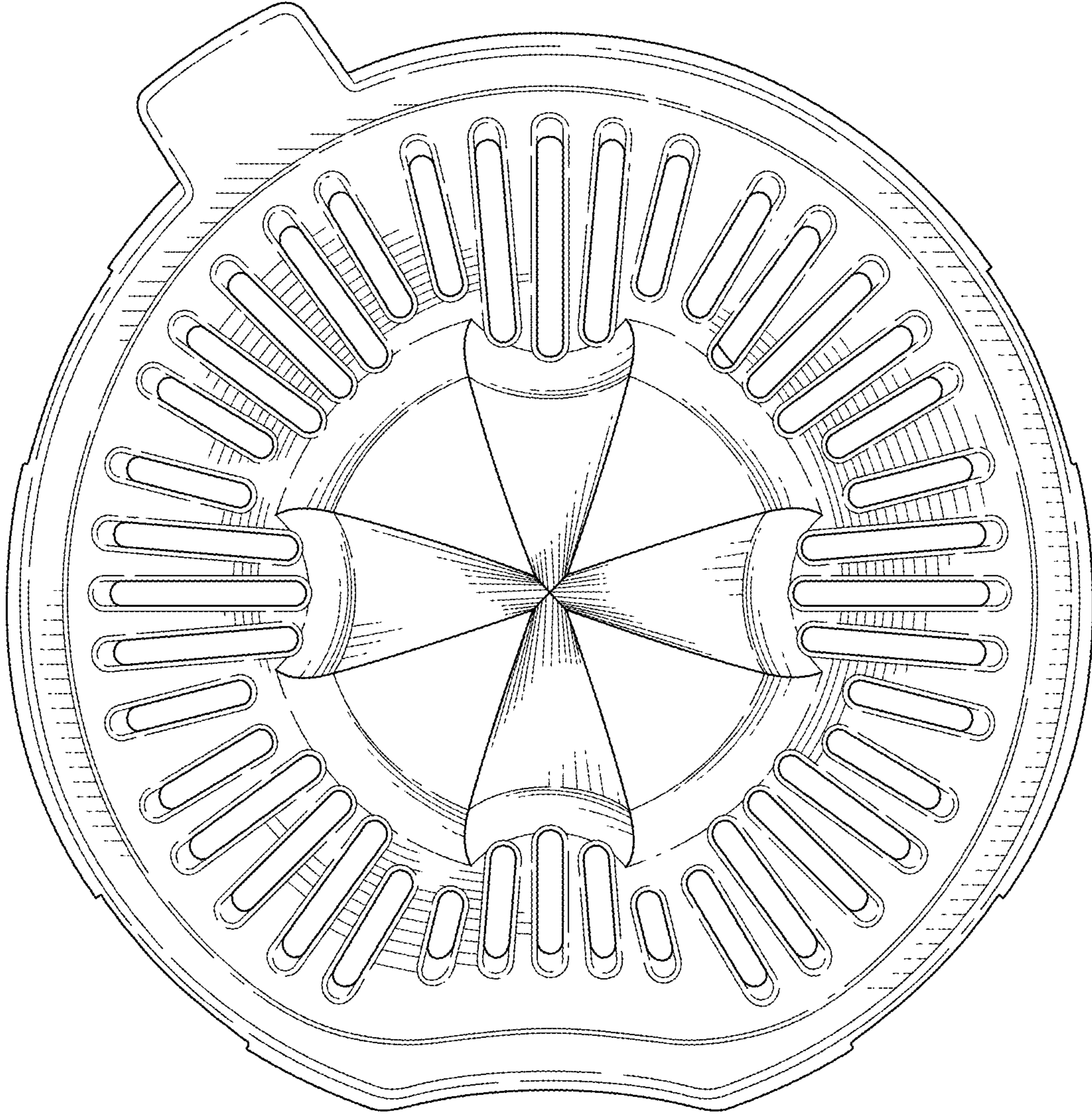


FIG. 14

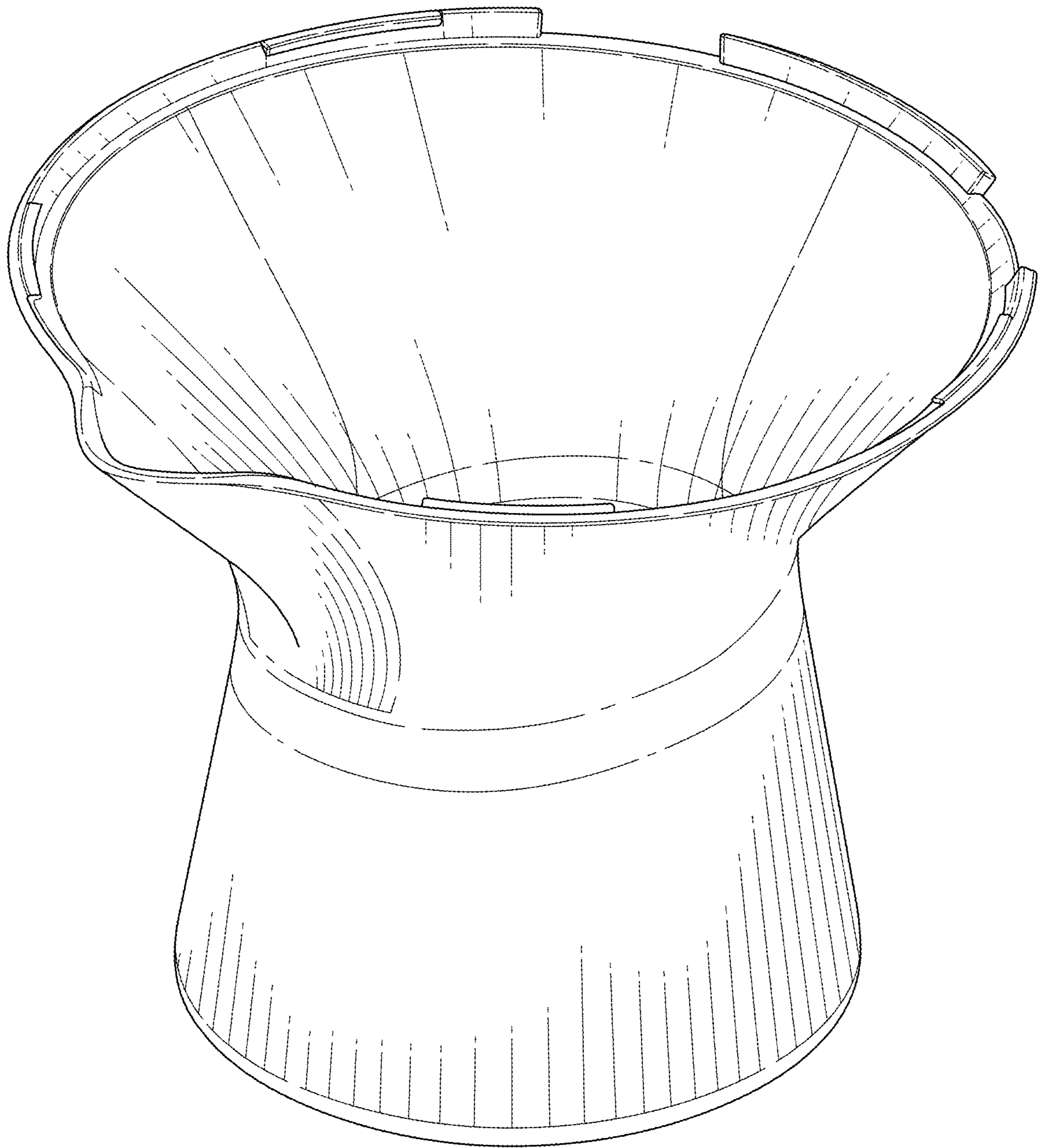


FIG. 15

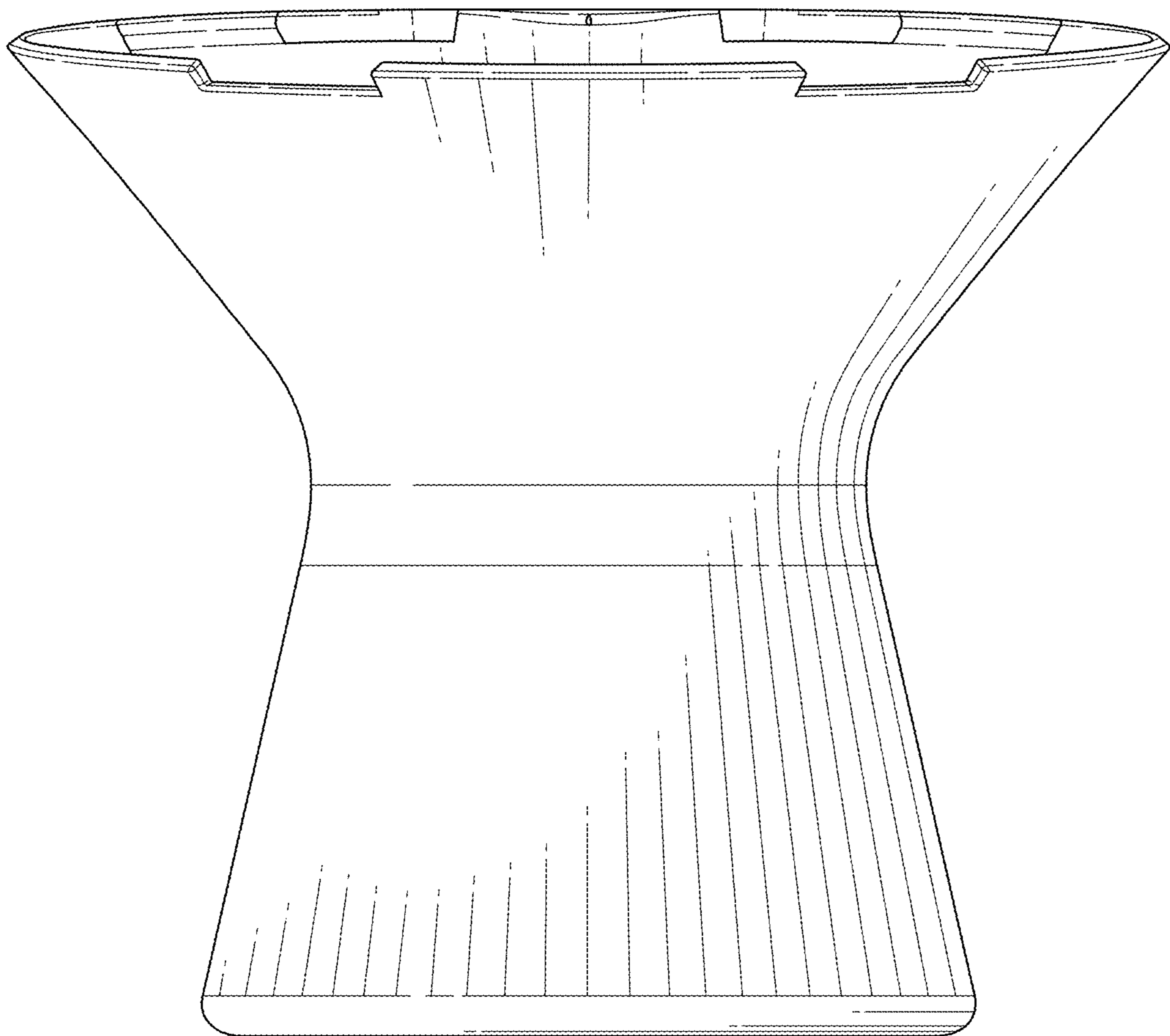


FIG. 16

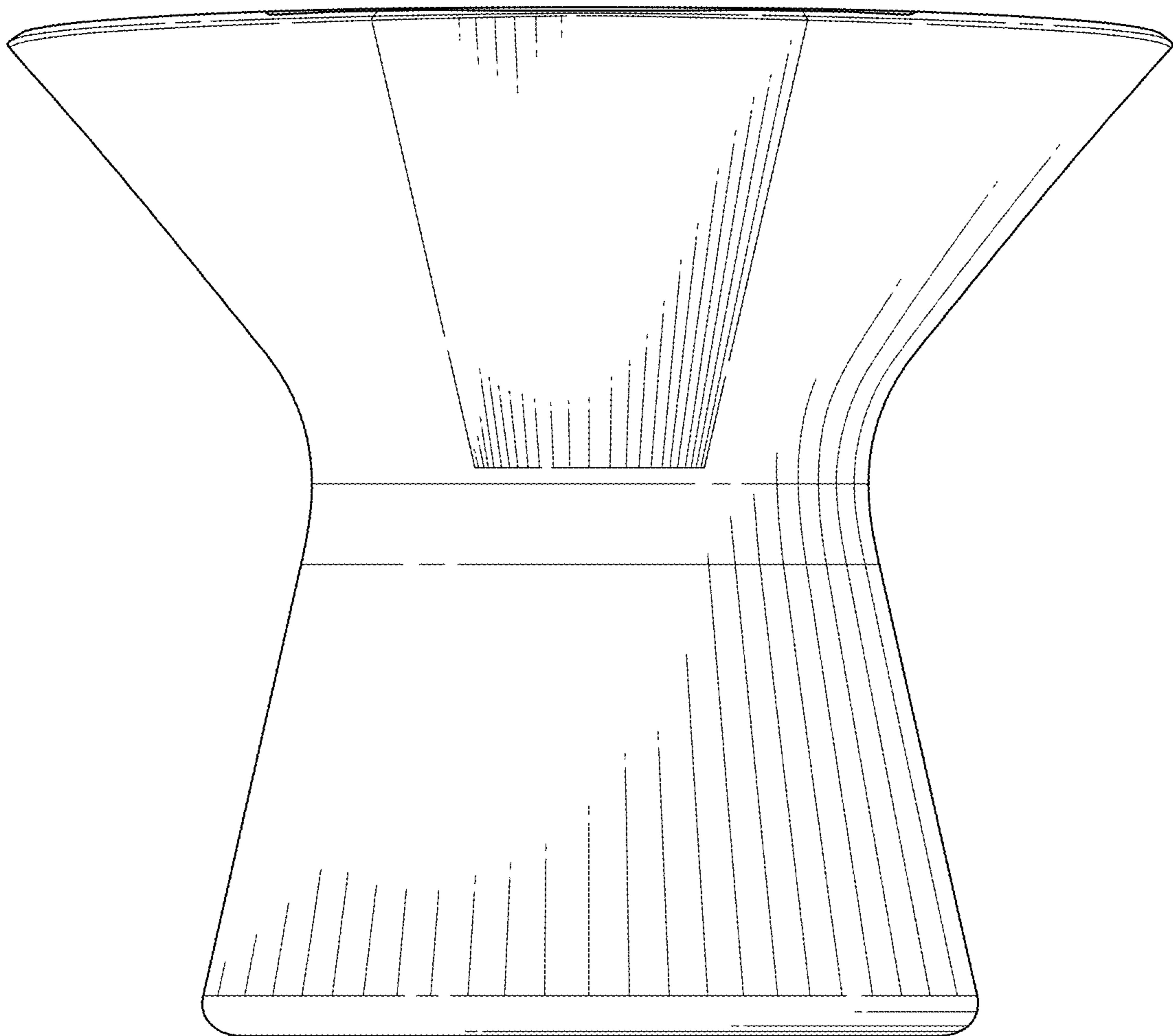


FIG. 17

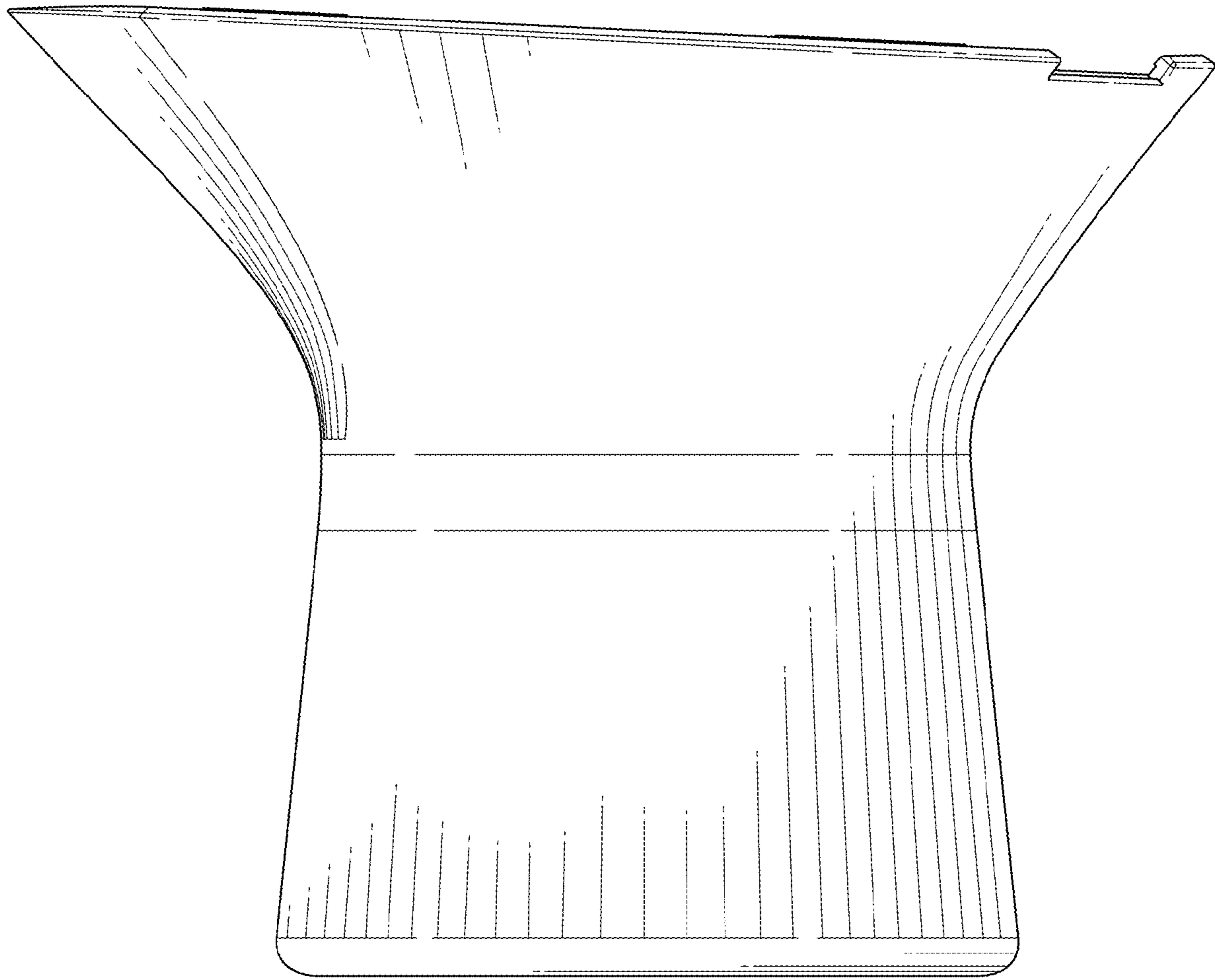


FIG. 18

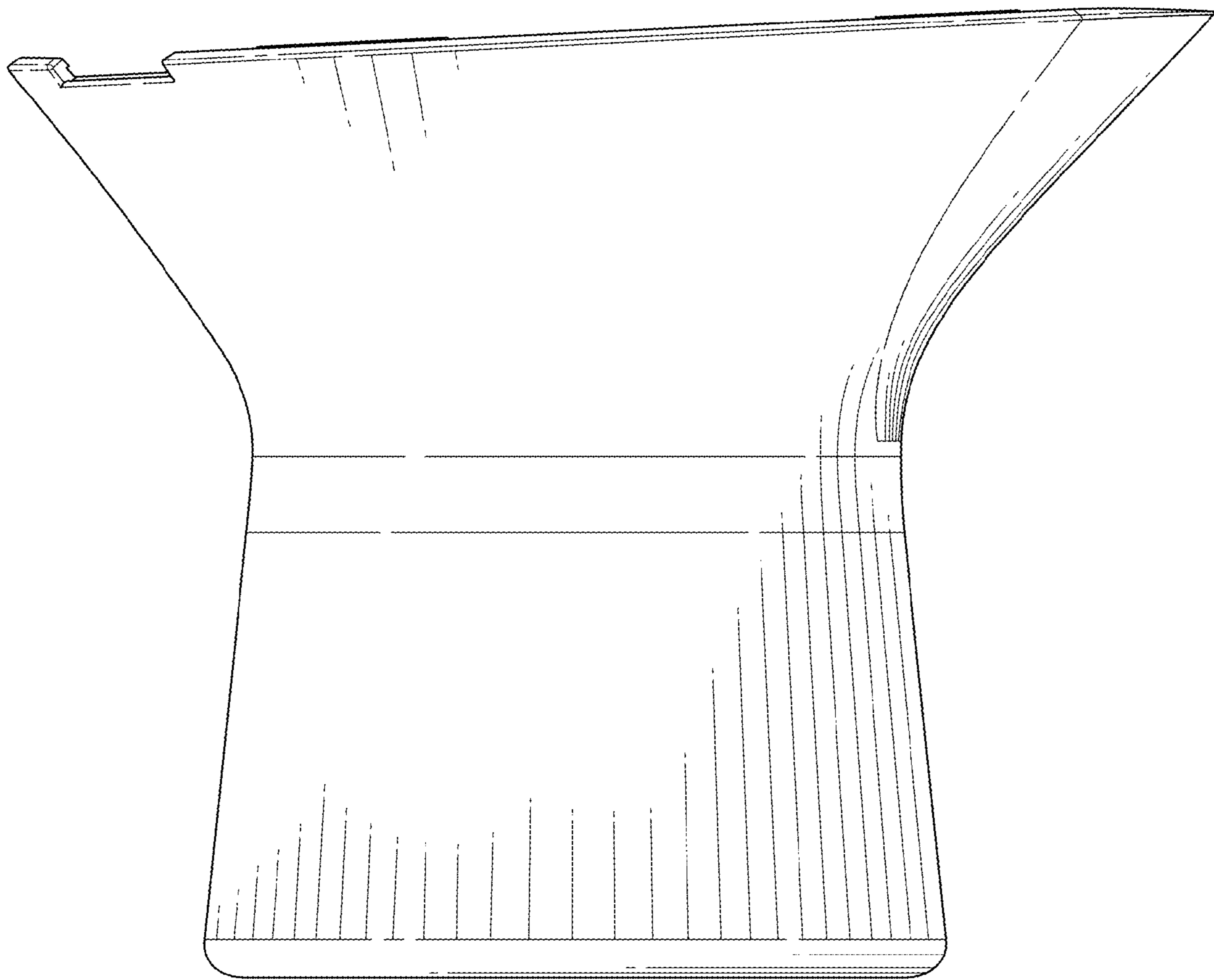


FIG. 19

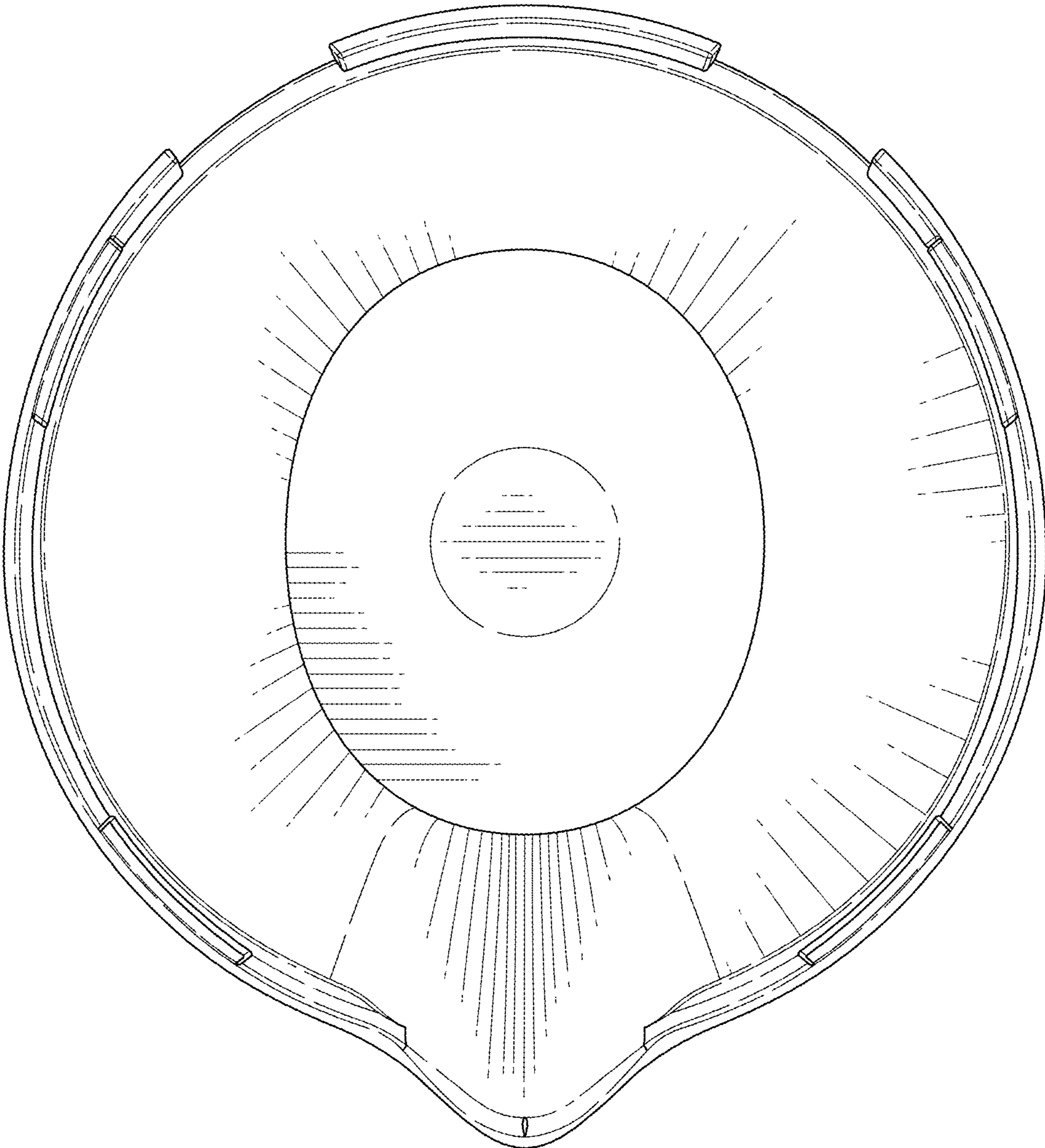


FIG. 20

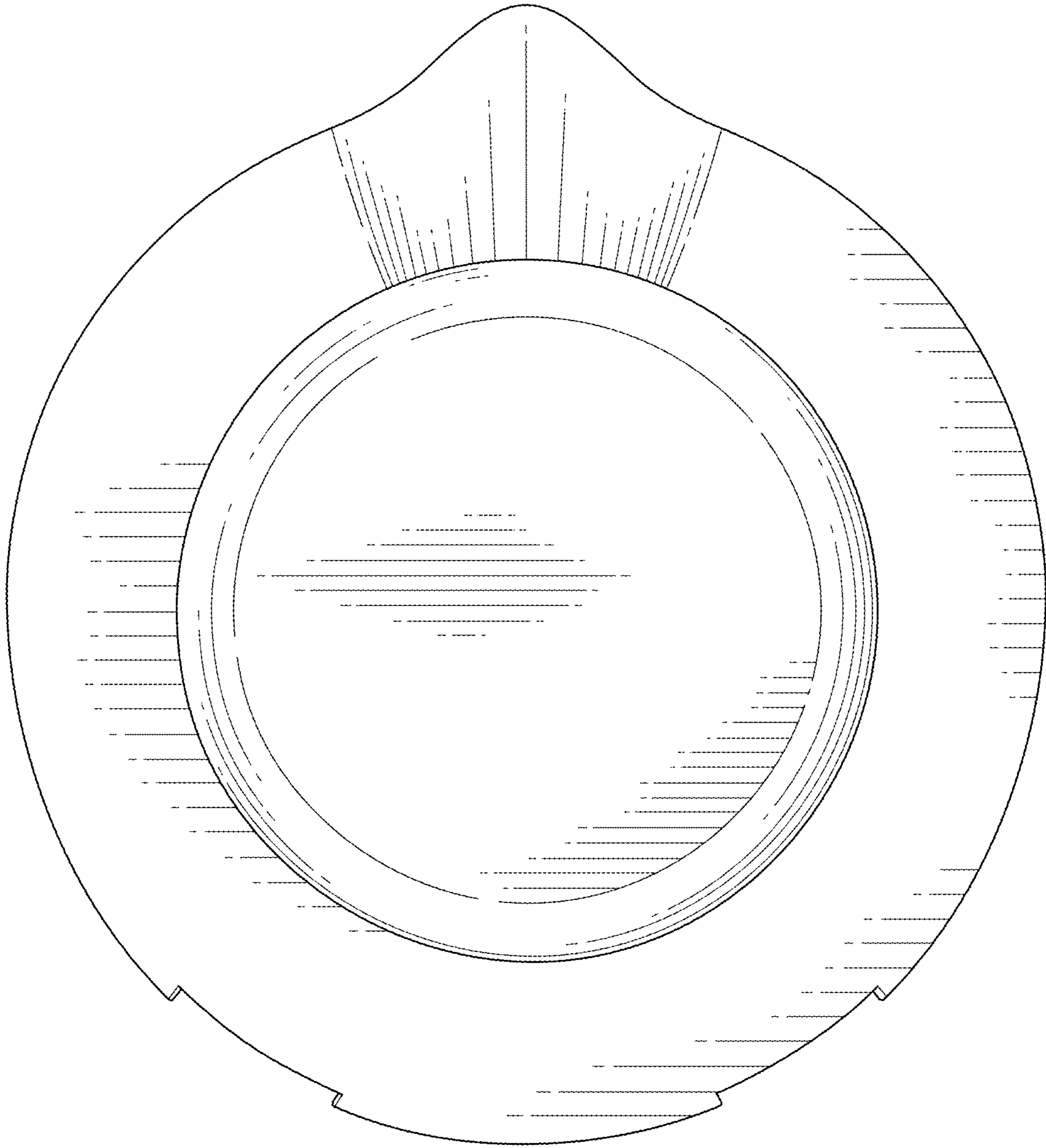


FIG. 21