



US00D905505S

(12) **United States Design Patent**  
**Lambert et al.**

(10) **Patent No.: US D905,505 S**  
(45) **Date of Patent: \*\* Dec. 22, 2020**

(54) **FOOD AND BEVERAGE CONTAINER**

**DESCRIPTION**

(71) Applicant: **CRUNCH TECH, INC.**, Simi Valley, CA (US)  
(72) Inventors: **Robert A. Lambert**, Simi Valley, CA (US); **Kevin S. Meyer**, West Hills, CA (US)  
(73) Assignee: **Crunch Tech, Inc.**, Simi Valley, CA (US)  
(\*\*) Term: **15 Years**  
(21) Appl. No.: **29/709,646**  
(22) Filed: **Oct. 16, 2019**  
(51) **LOC (12) Cl.** ..... **07-01**  
(52) **U.S. Cl.**  
USPC ..... **D7/507; D7/510; D7/511; D7/532**  
(58) **Field of Classification Search**  
USPC ..... **D7/507, 509, 510, 511, 529, 531, 532, D7/523, 533, 534, 535, 536, 392.1, 296.1,**  
(Continued)

(56) **References Cited**

**U.S. PATENT DOCUMENTS**

D471,808 S \* 3/2003 de Castro Couto ..... D9/435  
6,528,105 B1 3/2003 Gerhart  
(Continued)

**FOREIGN PATENT DOCUMENTS**

EP 2559633 2/2013

*Primary Examiner* — Jae Liang

(74) *Attorney, Agent, or Firm* — Fitch, Even, Tabin & Flannery LLP

(57) **CLAIM**

We claim the ornamental design for a food and beverage container, as shown and described.

FIG. 1 is a top and left side perspective view of a food and beverage container in accordance with a first embodiment of my new design;  
FIG. 2 is a top and right side perspective view thereof;  
FIG. 3 is a right side elevational view thereof, the left side elevational view being a mirror image thereof;  
FIG. 4 is a rear elevational view thereof;  
FIG. 5 is a front elevational view thereof;  
FIG. 6 is a bottom plan view thereof;  
FIG. 7 is a top plan view thereof;  
FIG. 8 is a top and right side exploded perspective view thereof;  
FIG. 9 is a top and left side exploded perspective view thereof;  
FIG. 10 is a bottom and right side exploded perspective view thereof;  
FIG. 11 is a top and left side perspective view of the outer lid portion with the rest of the container removed for clarity of reference;  
FIG. 12 is a bottom and left side perspective view of FIG. 11;  
FIG. 13 is a top plan view of FIG. 11;  
FIG. 14 is a bottom plan view of FIG. 11;  
FIG. 15 is a vertical cross-sectional view showing a section taken along line 15-15 of FIG. 13;  
FIG. 16 is a top and right side perspective view of the inner lid portion with the rest of the container removed for clarity of disclosure;  
FIG. 17 is a bottom and left side perspective view of FIG. 16;  
FIG. 18 is a top plan view of FIG. 16;  
FIG. 19 is a bottom plan view of FIG. 16;  
FIG. 20 is a top and left side perspective view of a food and beverage container in accordance with a second embodiment of my new design;  
FIG. 21 is a top and right side perspective view thereof;  
FIG. 22 is a right side elevational view thereof, the left side elevational view being a mirror image thereof;  
FIG. 23 is a rear elevational view thereof;  
FIG. 24 is a front elevational view thereof;  
FIG. 25 is a bottom plan view thereof;

(Continued)

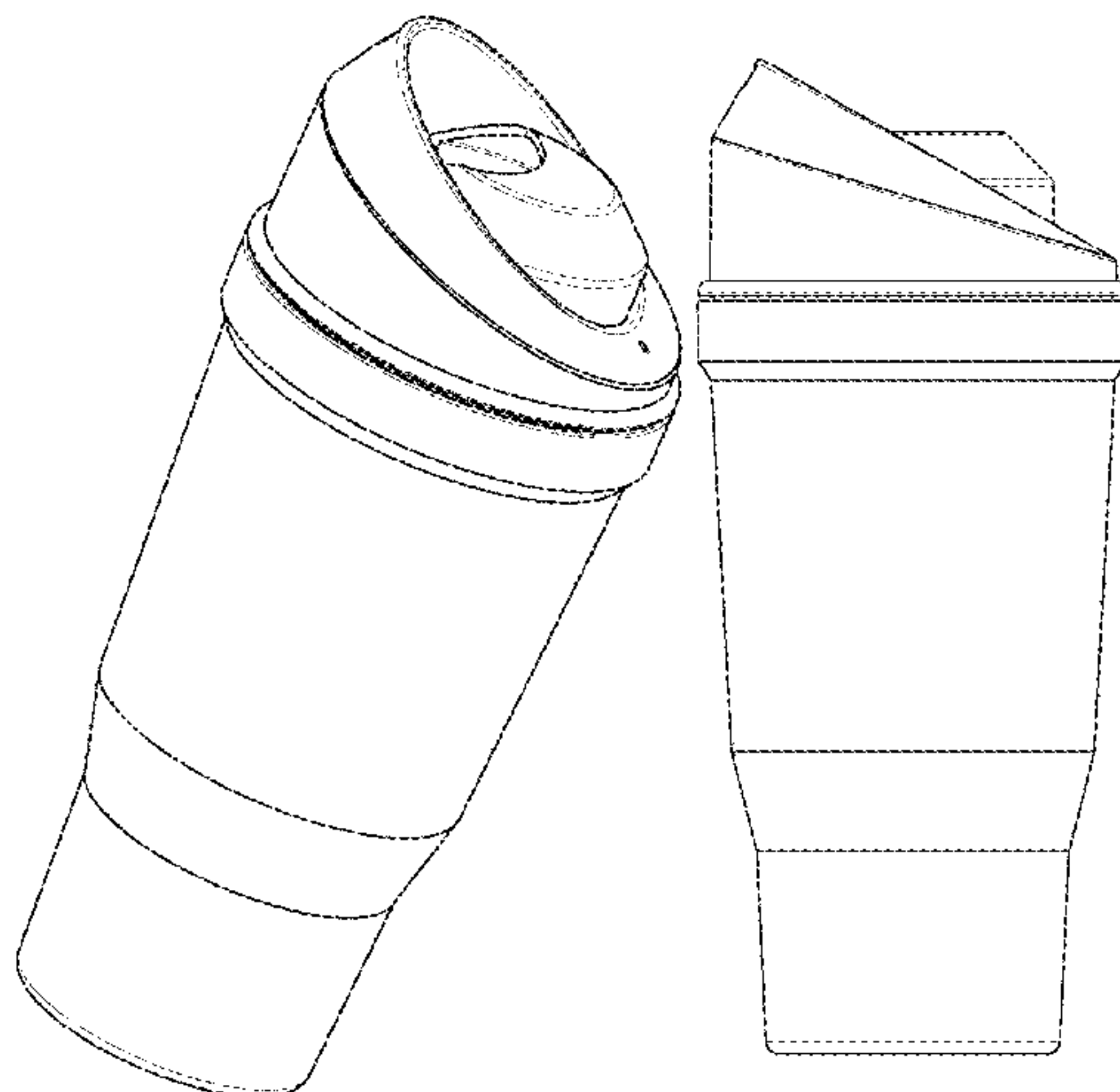


FIG. 26 is a top plan view thereof;  
 FIG. 27 is a top and right side exploded perspective view thereof;  
 FIG. 28 is a top and left side exploded perspective view thereof;  
 FIG. 29 is a bottom and right side exploded perspective view thereof;  
 FIG. 30 is a top and left side perspective view of the outer lid portion of the second embodiment of the food and beverage container with the rest of the container removed for clarity of disclosure;  
 FIG. 31 is a bottom and left side perspective view thereof;  
 FIG. 32 is a top plan view thereof;  
 FIG. 33 is a bottom plan view thereof;  
 FIG. 34 is a top and right side perspective view of the inner lid portion of the second embodiment of the food and beverage container with the rest of the container removed for clarity of disclosure;  
 FIG. 35 is a bottom and left side perspective view thereof;  
 FIG. 36 is a top plan view thereof; and,  
 FIG. 37 is a bottom plan view thereof.  
 The broken lines of the food and beverage container represent portions of the food and beverage container that do not form a part of the claimed design.

**1 Claim, 27 Drawing Sheets**

(58) **Field of Classification Search**

USPC ..... D7/396.2, 300.1, 608; D3/202; D9/500,  
 D9/531, 516, 517, 549  
 CPC ..... A47G 19/22; A47G 19/2288; A47G  
 19/2205; A47J 41/0077; A47J 41/0088  
 See application file for complete search history.

(56) **References Cited**

U.S. PATENT DOCUMENTS

6,641,854 B2 11/2003 Gerhart  
 D490,272 S 5/2004 Rohe  
 D502,744 S 3/2005 Hussaini  
 D512,875 S 12/2005 Maldonado  
 7,063,229 B2 6/2006 Westerhof  
 D547,605 S \* 7/2007 Edelstein ..... D7/392.1  
 D547,610 S 7/2007 Edelstein  
 D558,532 S \* 1/2008 Peterson ..... D7/615  
 D565,901 S \* 4/2008 Edelstein ..... D7/510  
 D569,176 S \* 5/2008 Bodum ..... D7/387  
 D569,182 S 5/2008 Homma  
 D618,964 S 7/2010 Eisenhardt  
 7,866,183 B2 1/2011 Roth  
 D687,262 S 8/2013 Bucceri  
 D688,523 S 8/2013 Lees  
 D690,161 S 9/2013 Garner  
 8,596,491 B2 12/2013 Buck

D716,654 S \* 11/2014 Dubitsky ..... D9/435  
 D716,656 S \* 11/2014 Carregui ..... D9/440  
 8,919,592 B2 12/2014 Buck  
 D723,332 S 3/2015 Steel  
 D734,152 S \* 7/2015 Hager ..... D9/447  
 9,078,535 B1 7/2015 Buck  
 9,181,009 B1 11/2015 Buck  
 9,260,228 B2 2/2016 Buck  
 D756,773 S \* 5/2016 Brannock ..... D9/438  
 D758,792 S 6/2016 Karussi  
 D763,620 S 8/2016 Szymanski  
 D763,621 S 8/2016 Szymanski  
 D773,895 S 12/2016 Dai  
 D781,103 S 3/2017 Karussi  
 9,622,605 B2 \* 4/2017 Buck ..... A47G 19/2205  
 9,687,095 B2 6/2017 Riggan  
 D796,324 S 9/2017 Buck  
 D797,510 S \* 9/2017 Ke ..... D7/510  
 D806,545 S 1/2018 Burns  
 D808,218 S 1/2018 Nichols  
 D808,712 S 1/2018 Steininger  
 D814,240 S 4/2018 Kabalin  
 10,005,589 B2 6/2018 Shakeri Clark  
 D830,127 S 10/2018 Rohe  
 D831,482 S 10/2018 Meyers  
 D832,642 S 11/2018 Buck  
 D833,817 S \* 11/2018 Sletten ..... D7/510  
 D839,058 S 1/2019 Irish  
 10,172,486 B2 1/2019 Ferraro  
 10,226,142 B2 \* 3/2019 Green ..... A47G 19/2272  
 10,232,997 B2 3/2019 Engel  
 D858,196 S 9/2019 Graham  
 D871,839 S 1/2020 Sun  
 D871,852 S 1/2020 Haas  
 D872,537 S 1/2020 Guccione  
 10,654,623 B2 \* 5/2020 Circosta ..... B65D 41/0485  
 10,676,253 B2 \* 6/2020 Brannock ..... B65D 43/0218  
 2002/0192338 A1 12/2002 Ness  
 2004/0099544 A1 5/2004 Ness  
 2007/0045316 A1 \* 3/2007 Arnljots ..... B65D 47/06  
 220/254.5  
 2007/0075079 A1 4/2007 Stokes  
 2007/0075081 A1 4/2007 Stokes  
 2007/0227919 A1 10/2007 True  
 2008/0061069 A1 \* 3/2008 Edelstein ..... B65D 43/0212  
 220/713  
 2009/0266737 A1 10/2009 Cole  
 2011/0284564 A1 \* 11/2011 Hsieh ..... A47G 19/22  
 220/713  
 2015/0201777 A1 \* 7/2015 Kim ..... A47G 23/0216  
 220/713  
 2015/0336723 A1 11/2015 Koennecke  
 2015/0344178 A1 12/2015 Szymanski  
 2016/0088960 A1 3/2016 Liang  
 2016/0345780 A1 \* 12/2016 Hatfield ..... B01F 11/008  
 2017/0113837 A1 4/2017 Szymanski  
 2017/0225855 A1 \* 8/2017 Lawson ..... B65D 47/12  
 2017/0273484 A1 \* 9/2017 Spivey ..... B65D 43/22  
 2018/0009590 A1 1/2018 Wong  
 2018/0265255 A1 9/2018 Shakeri Clark  
 2018/0289186 A1 \* 10/2018 Heiberger ..... B65D 47/32  
 2018/0312321 A1 11/2018 Wondka

\* cited by examiner



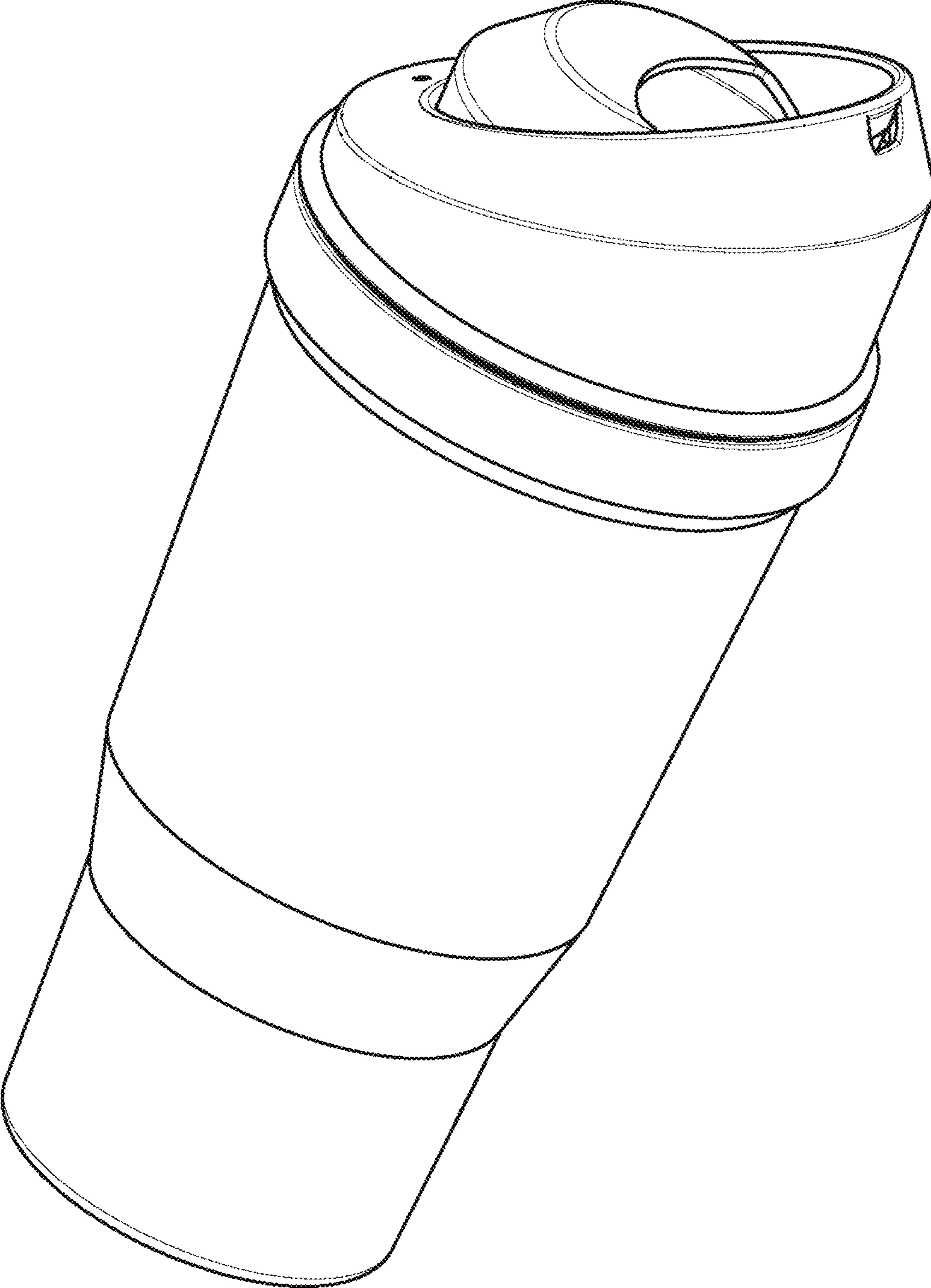


FIG. 1

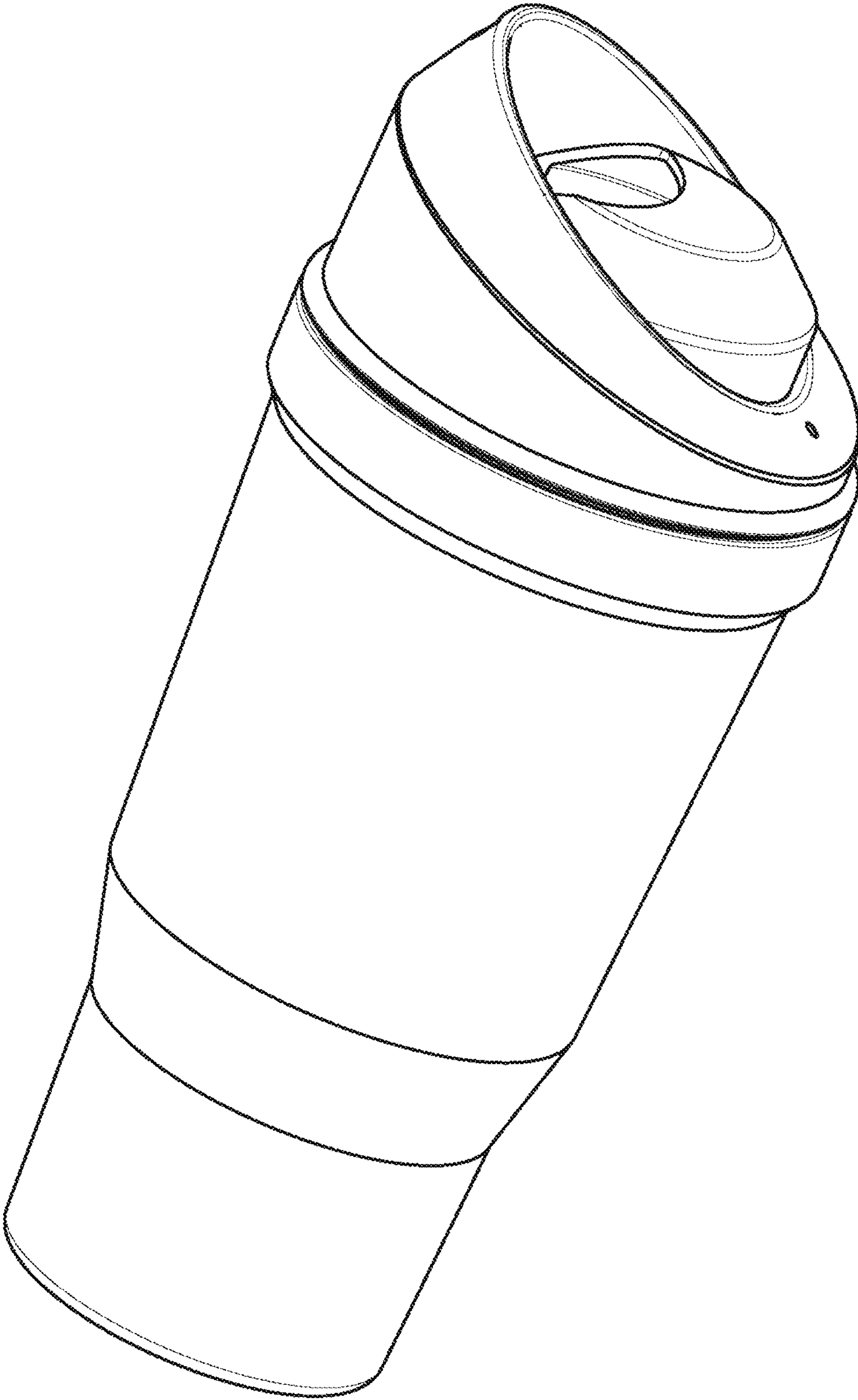


FIG. 2

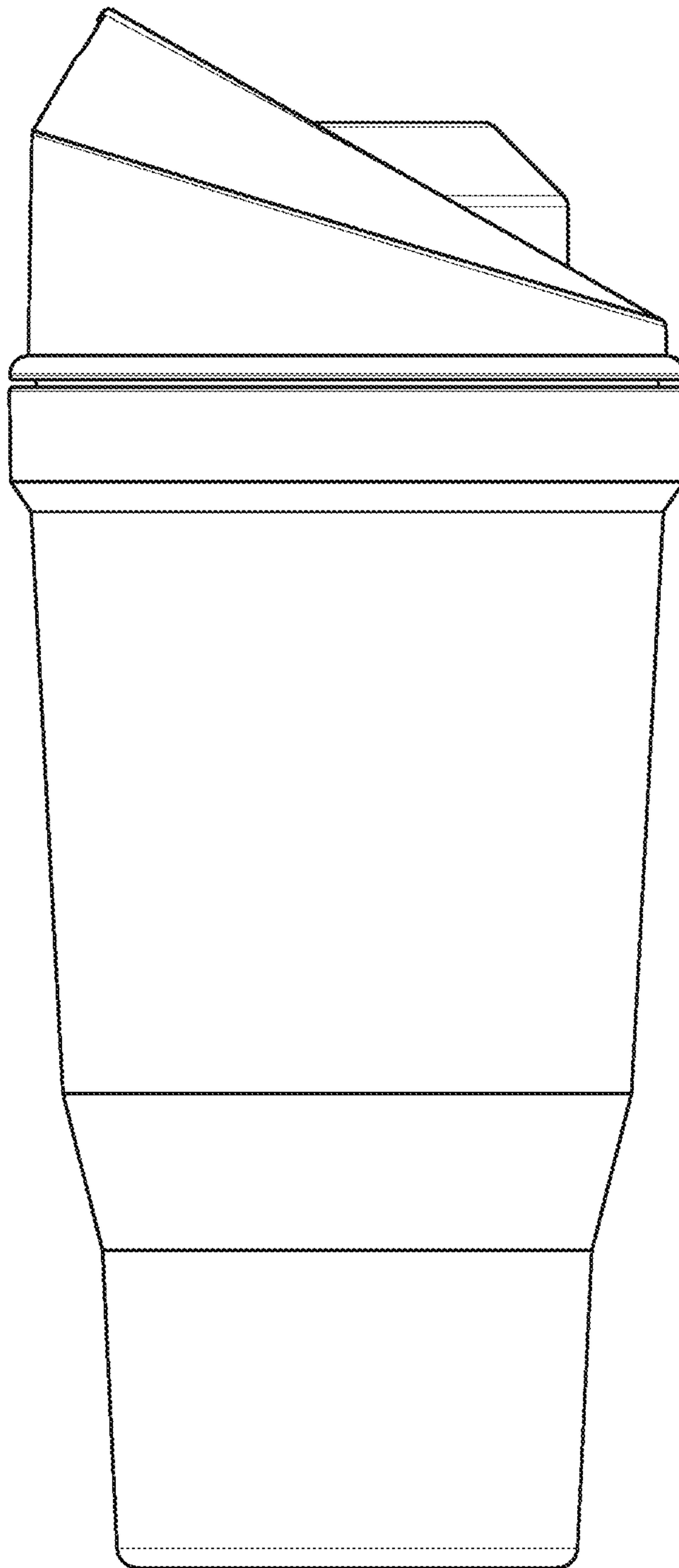


FIG. 3

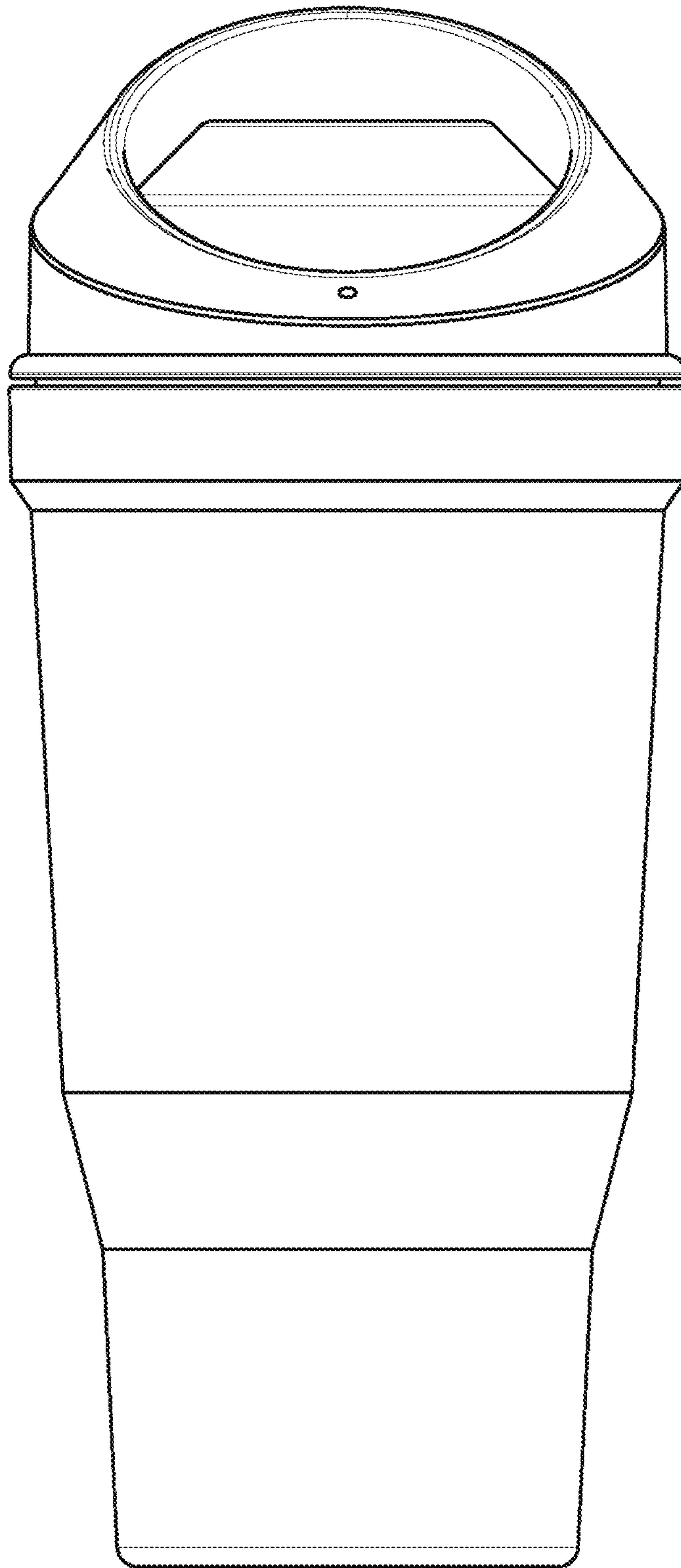


FIG. 4

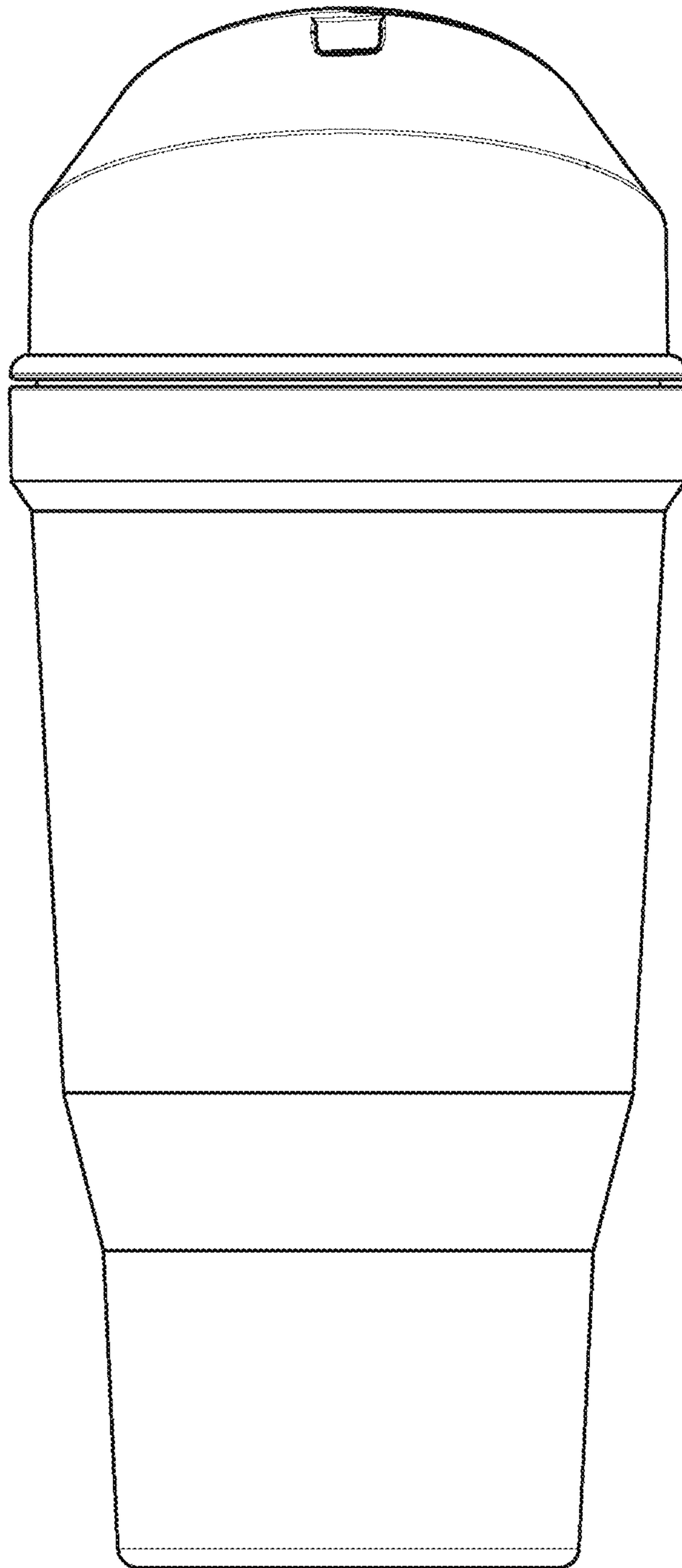


FIG. 5

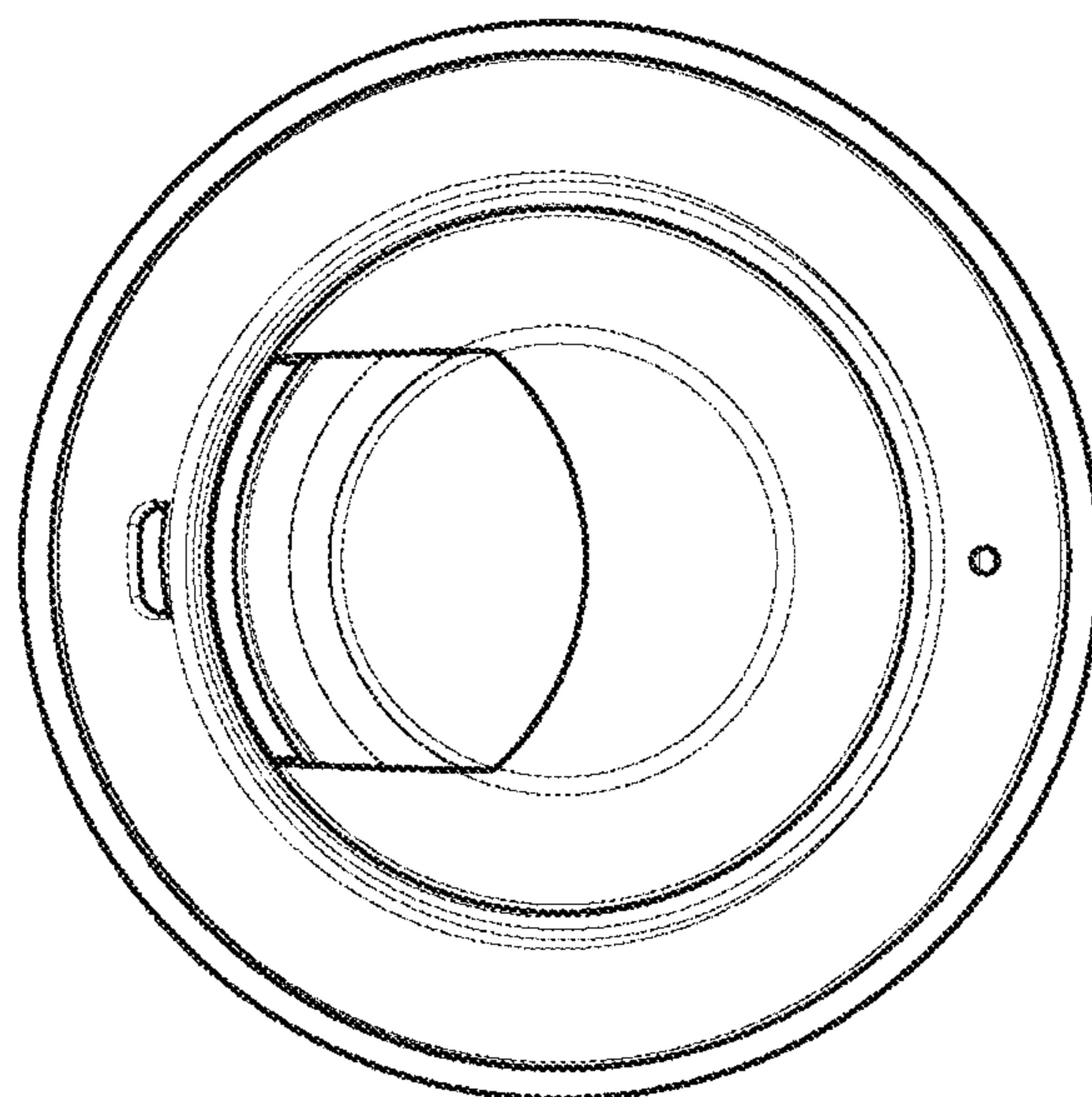


FIG. 6

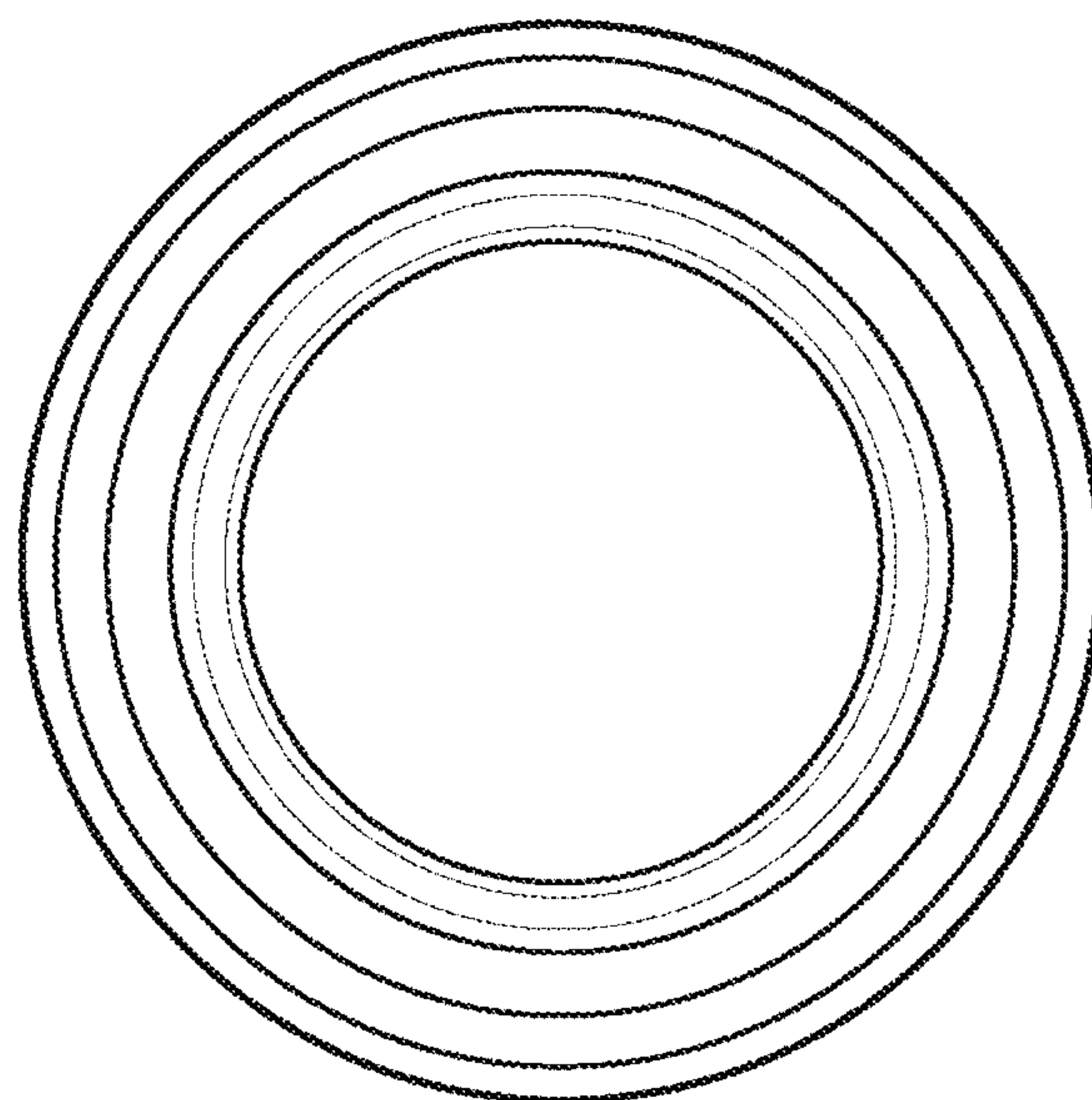


FIG. 7



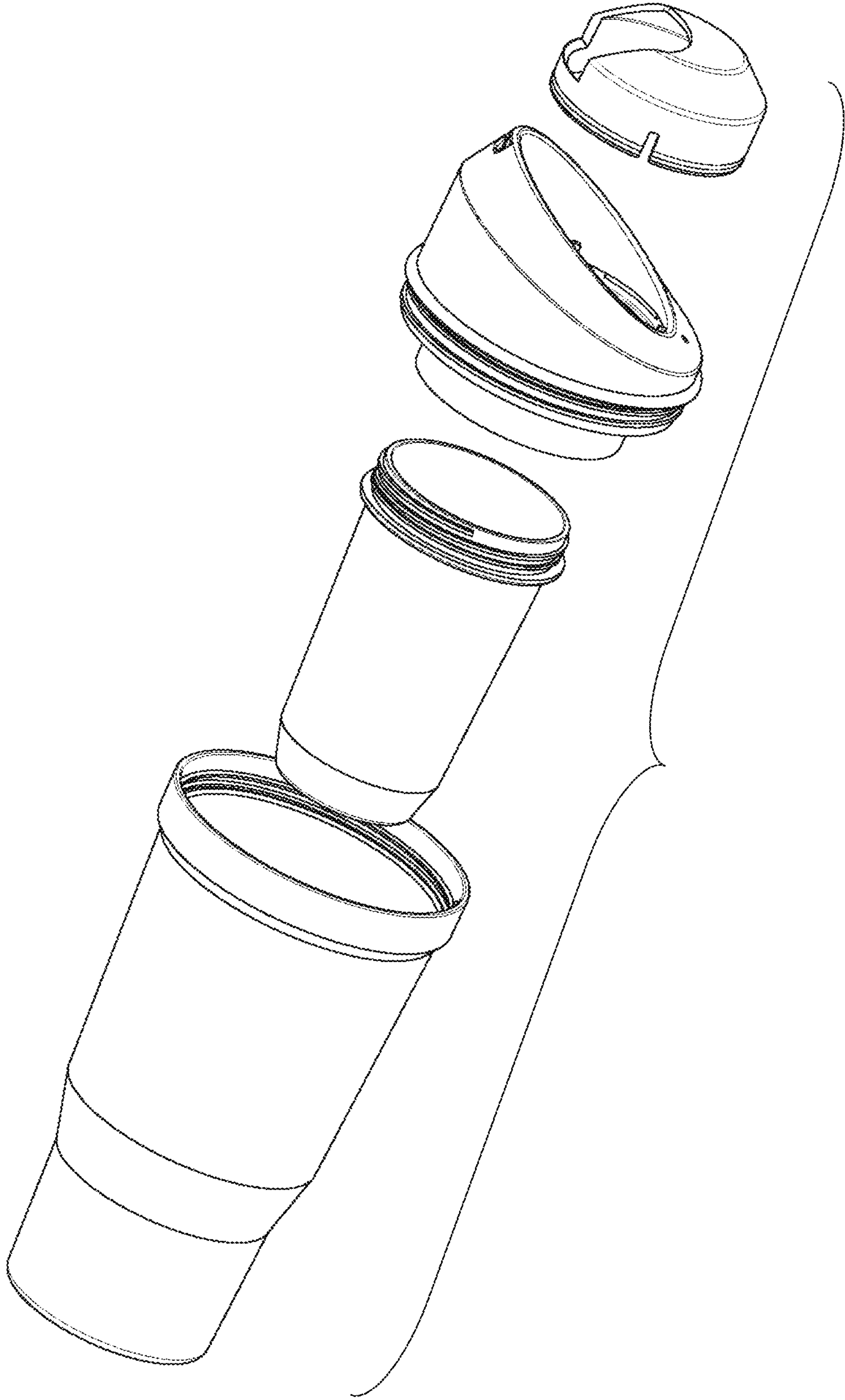


FIG. 8

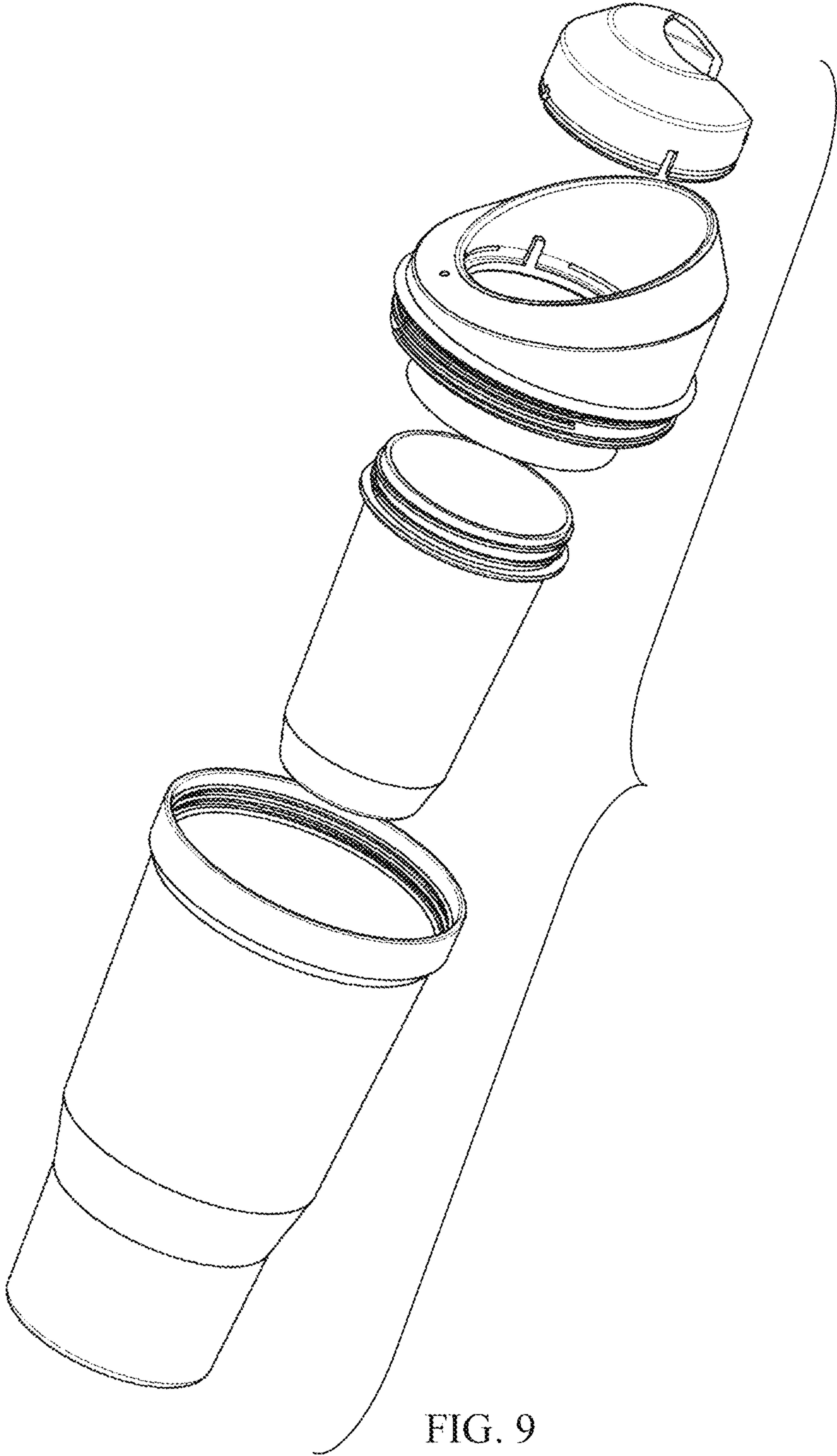


FIG. 9

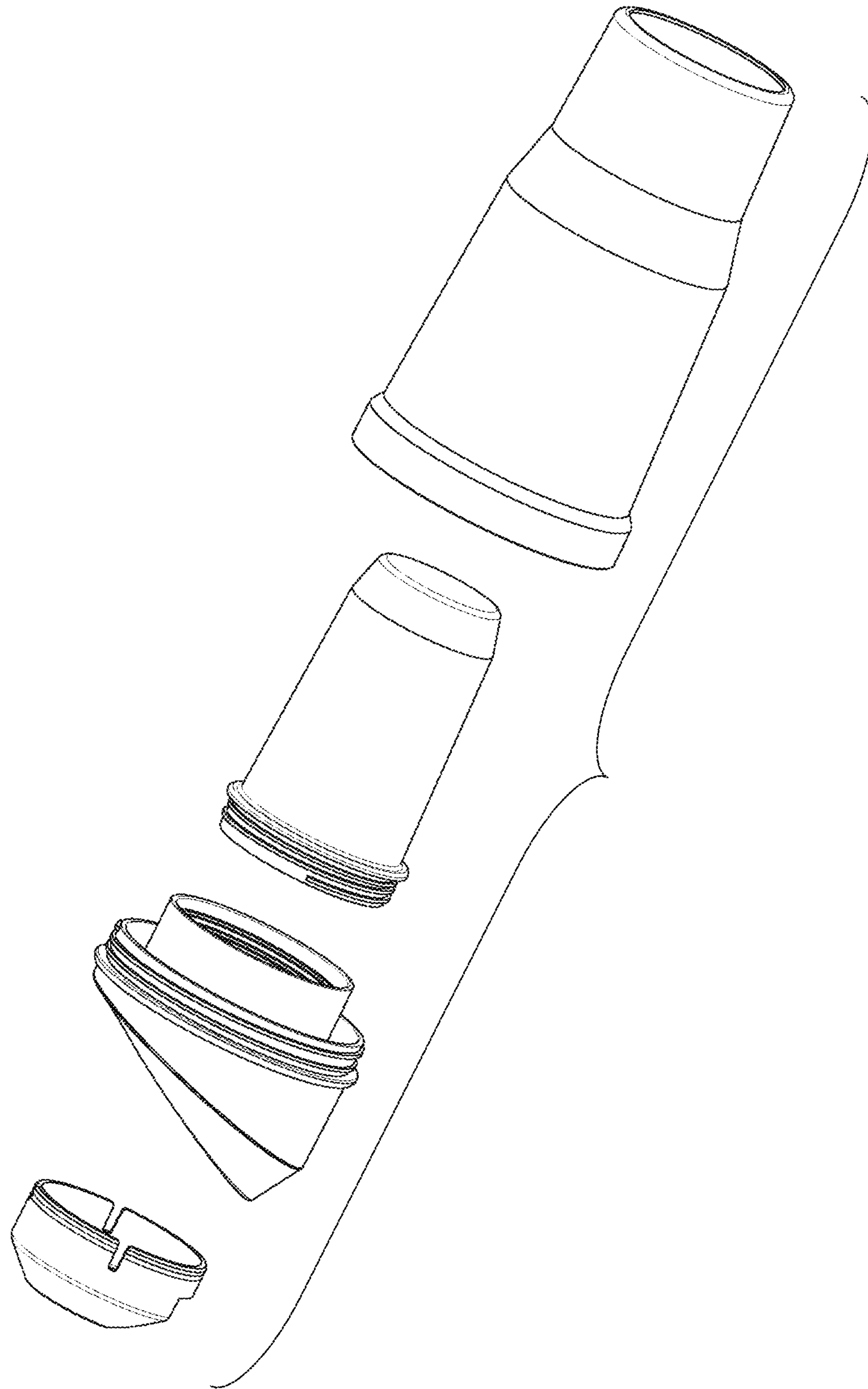


FIG. 10

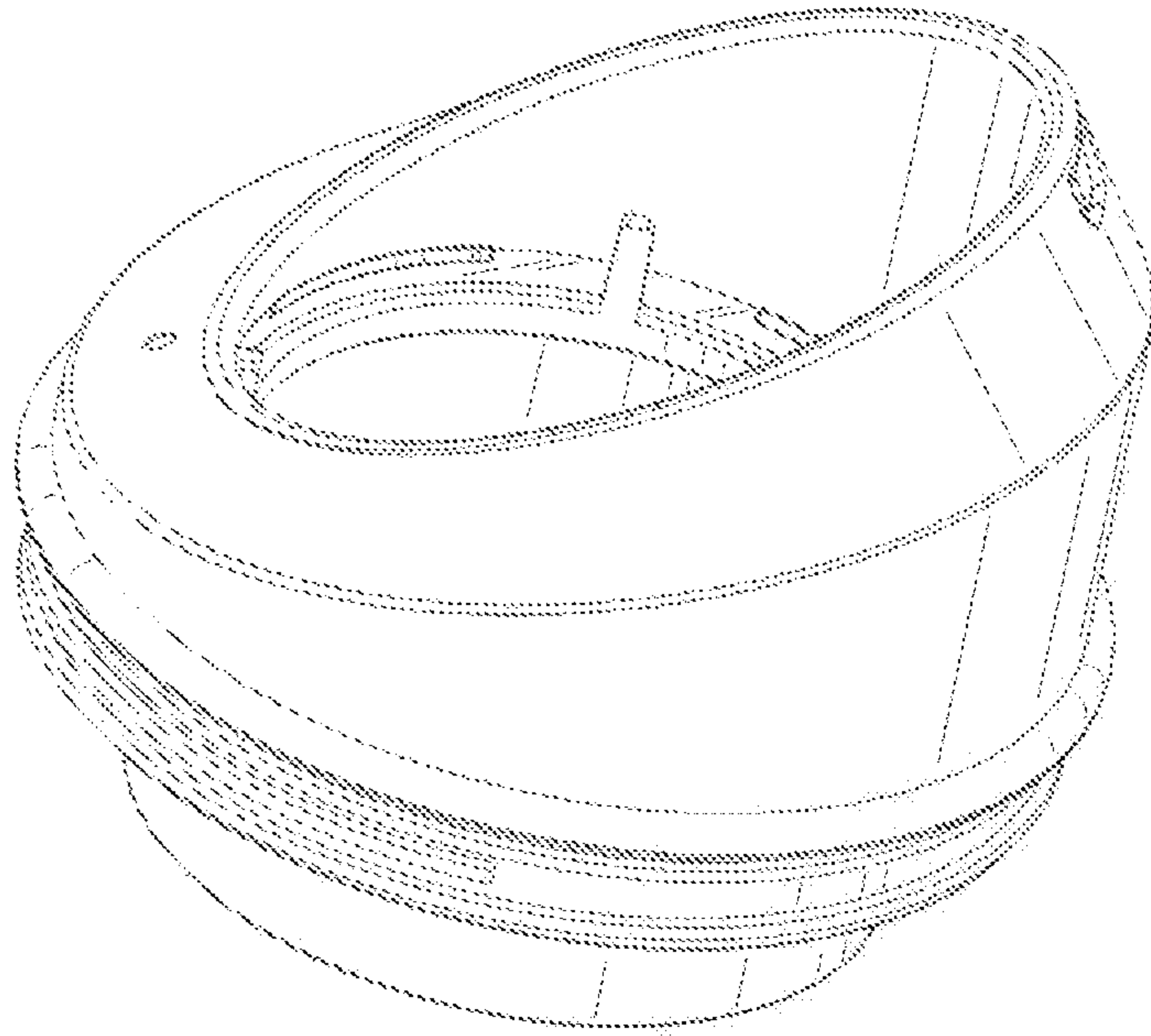


FIG. 11

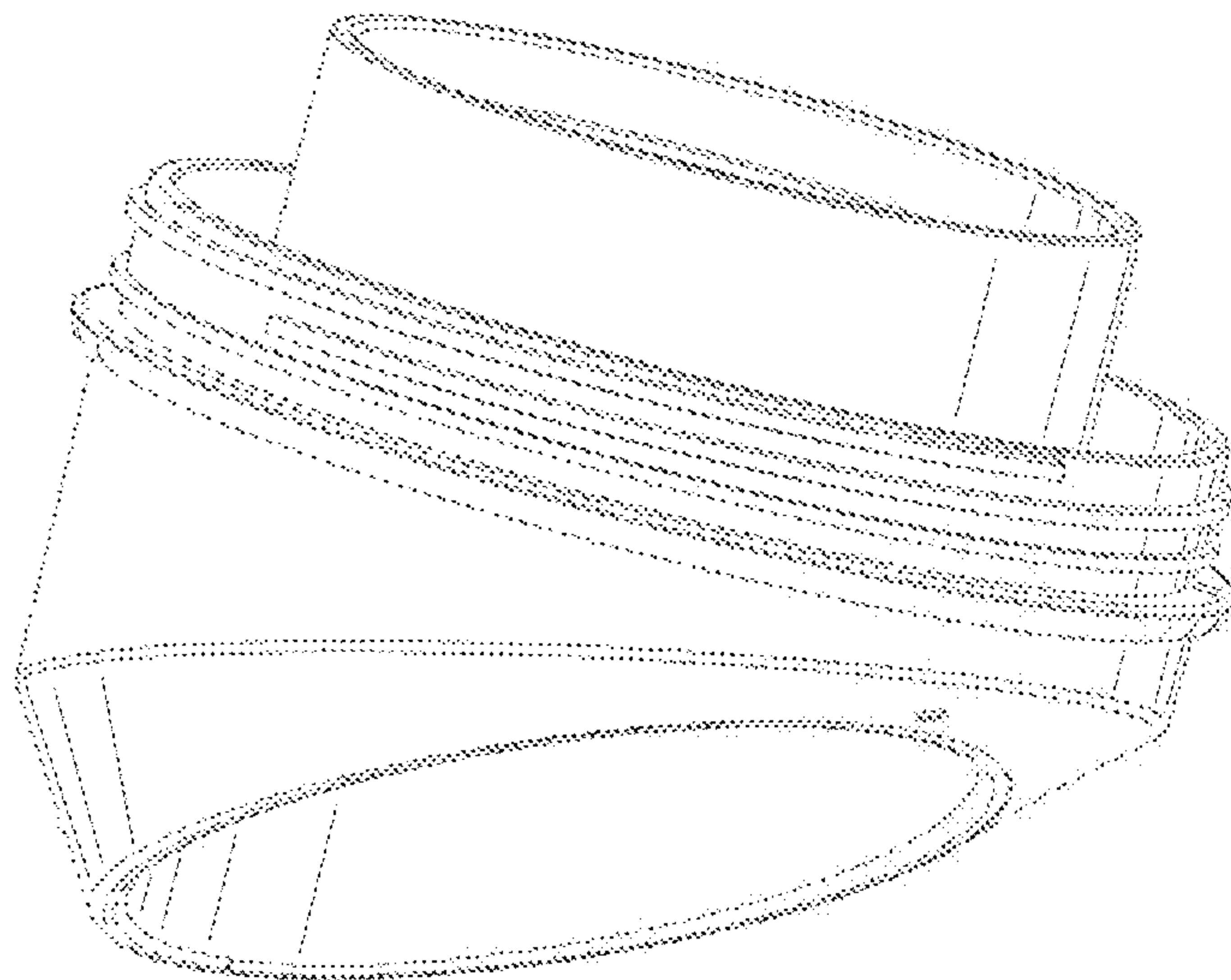


FIG. 12



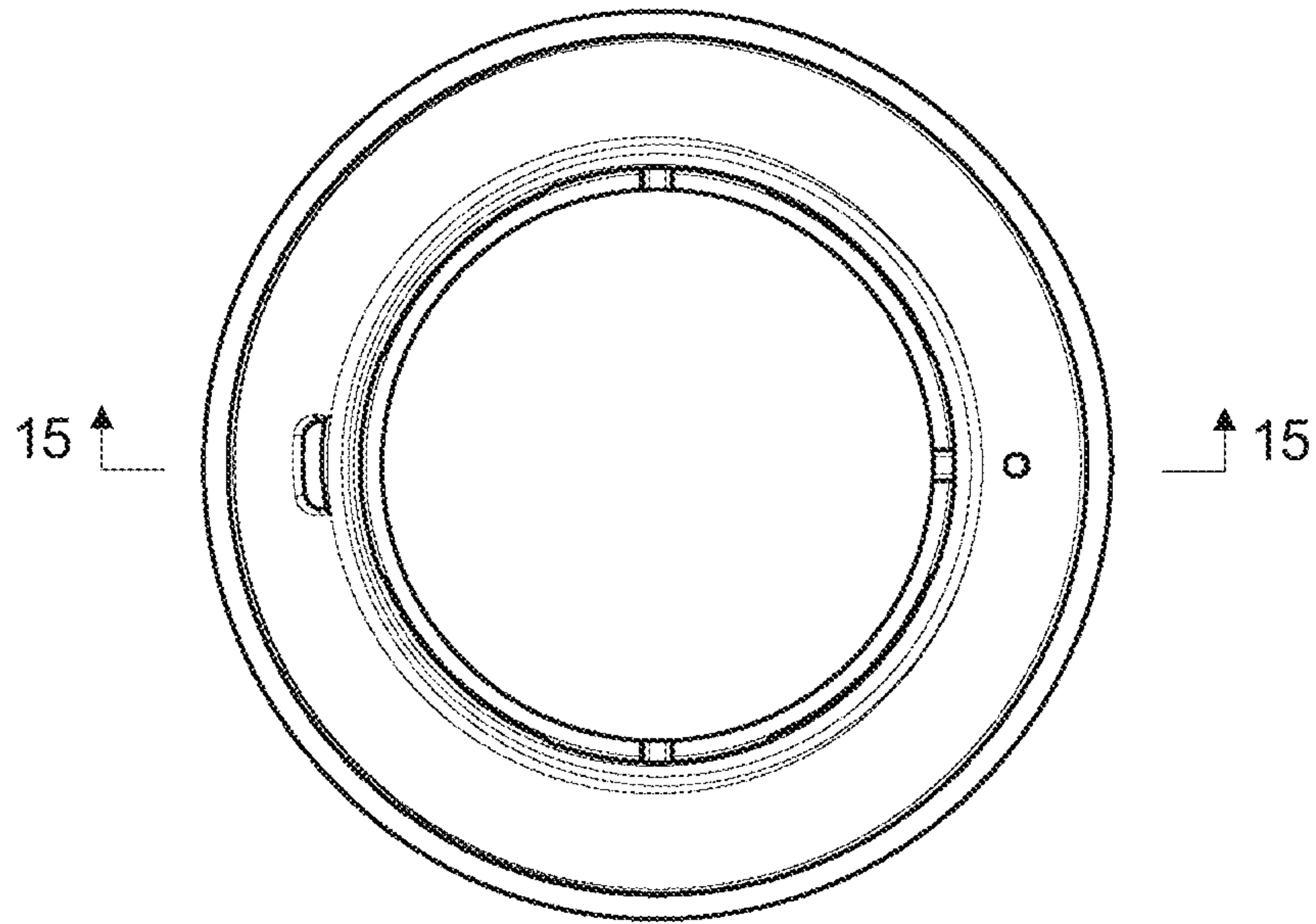


FIG. 13

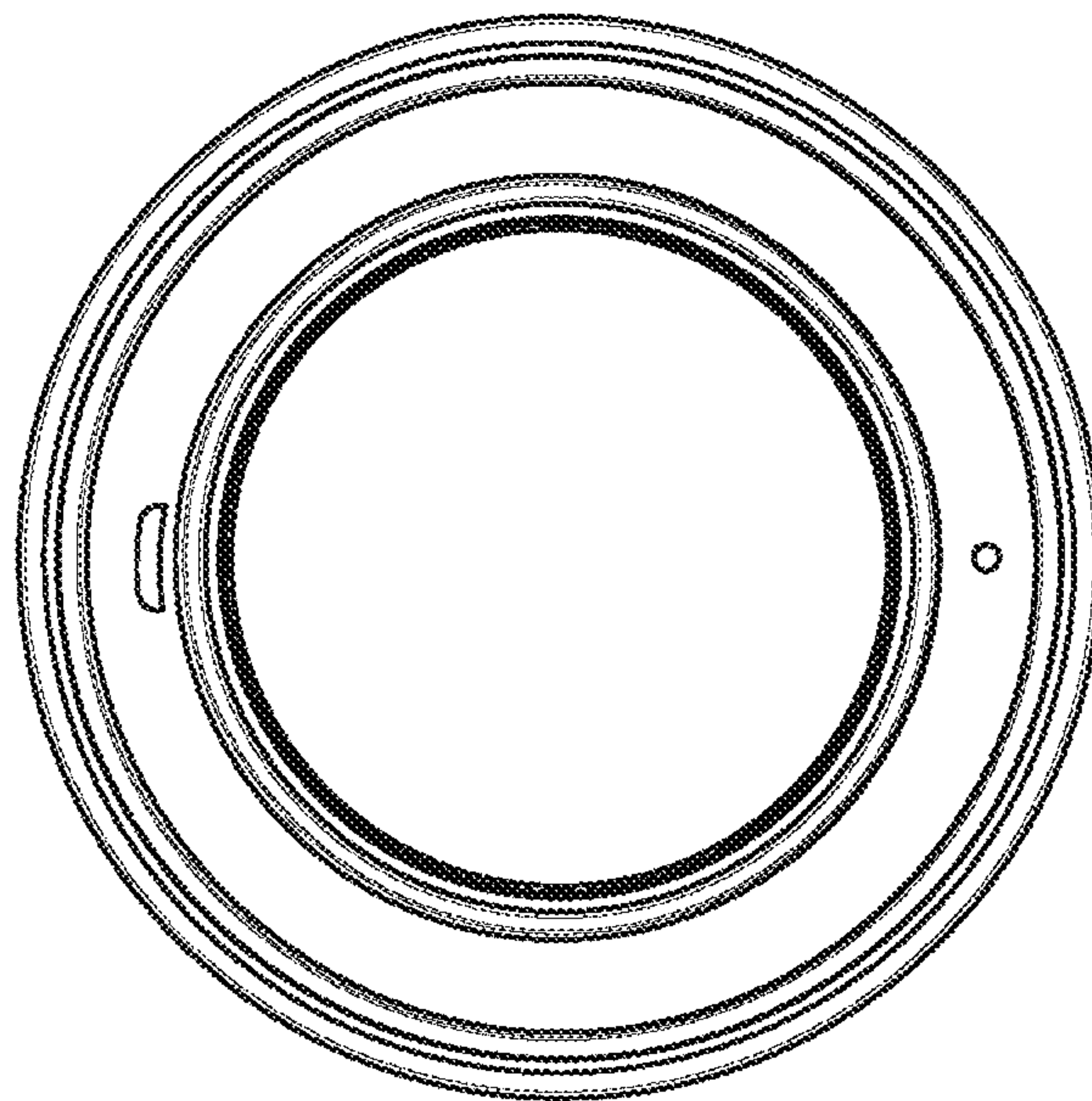


FIG. 14

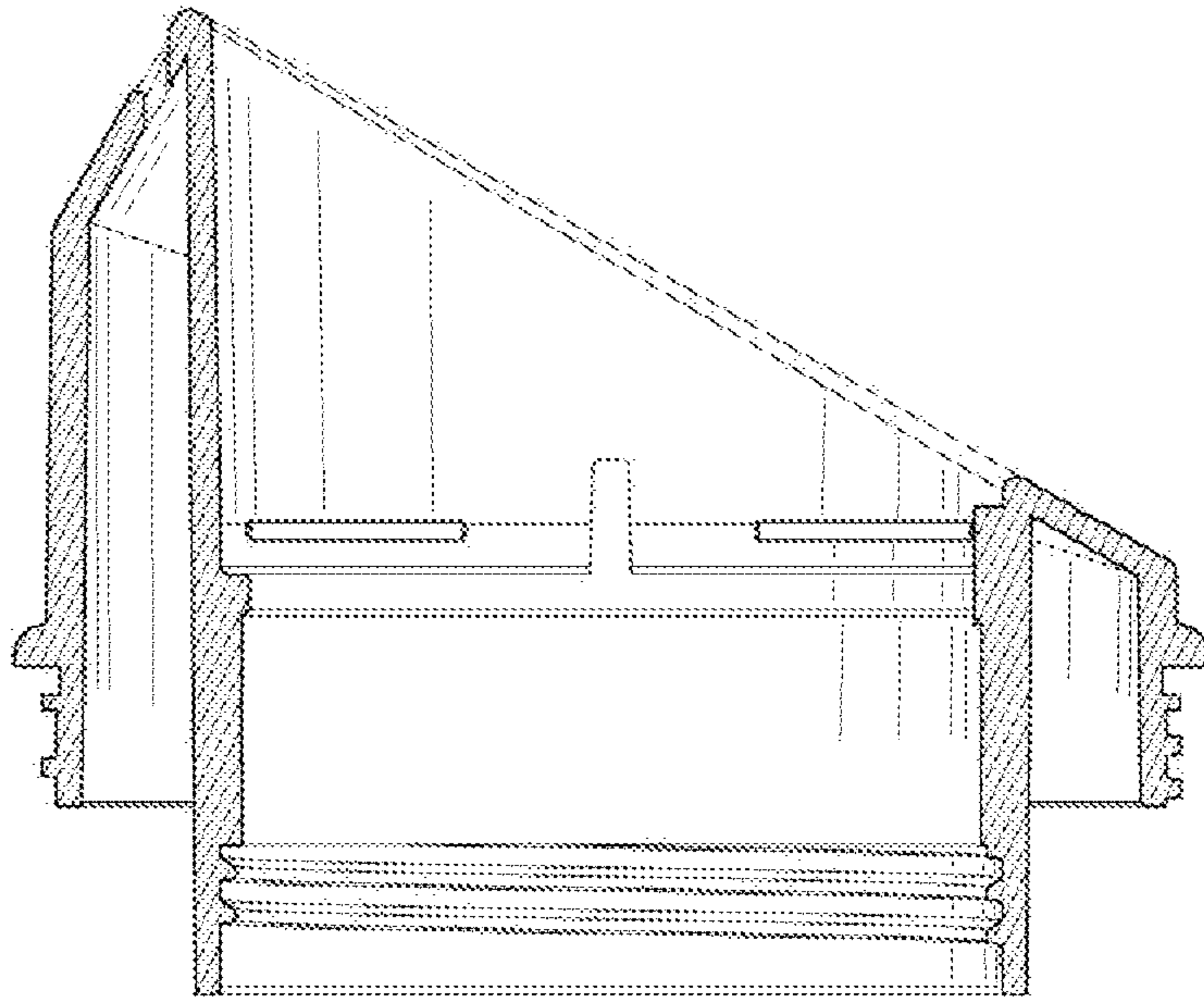


FIG. 15

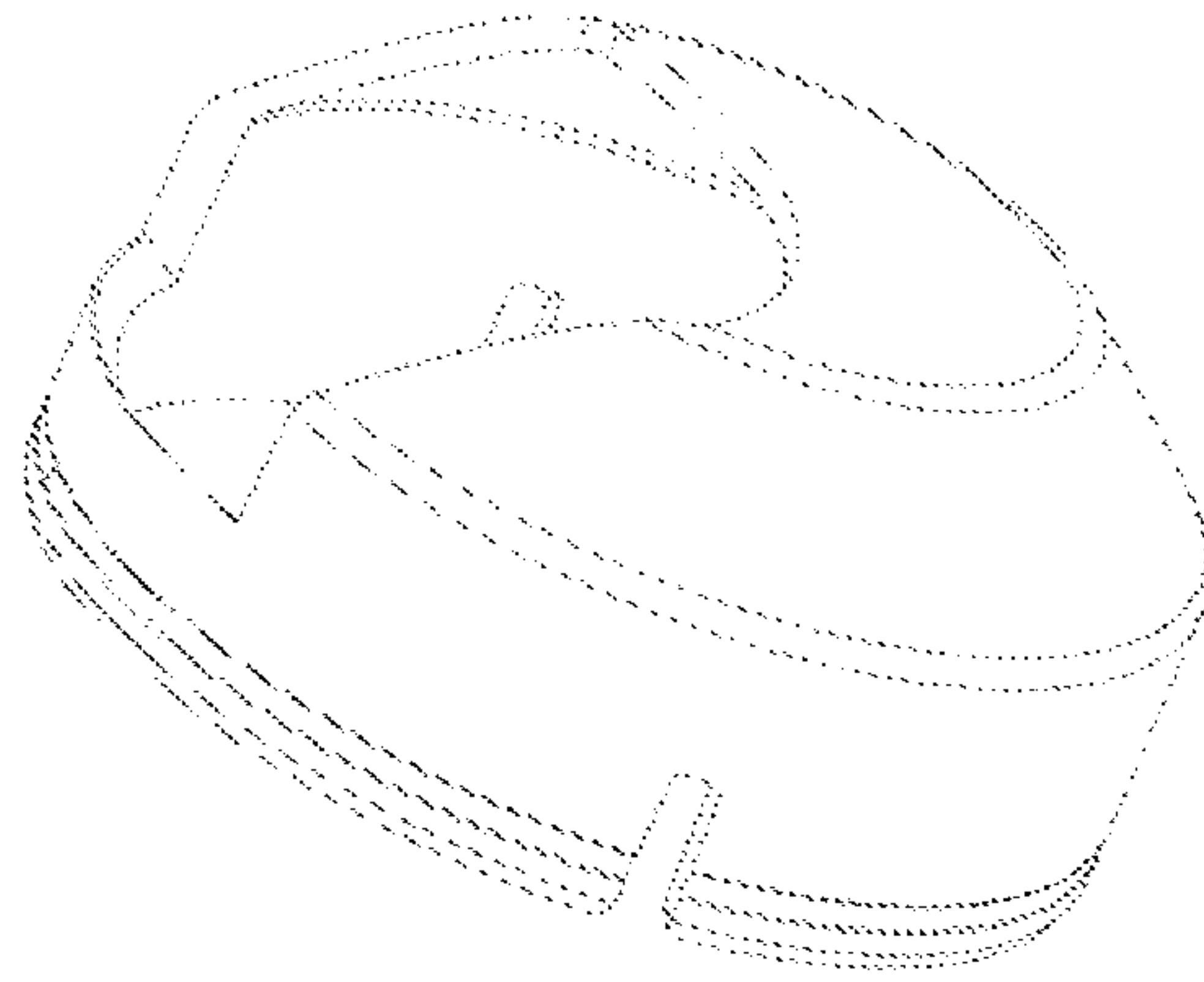


FIG. 16

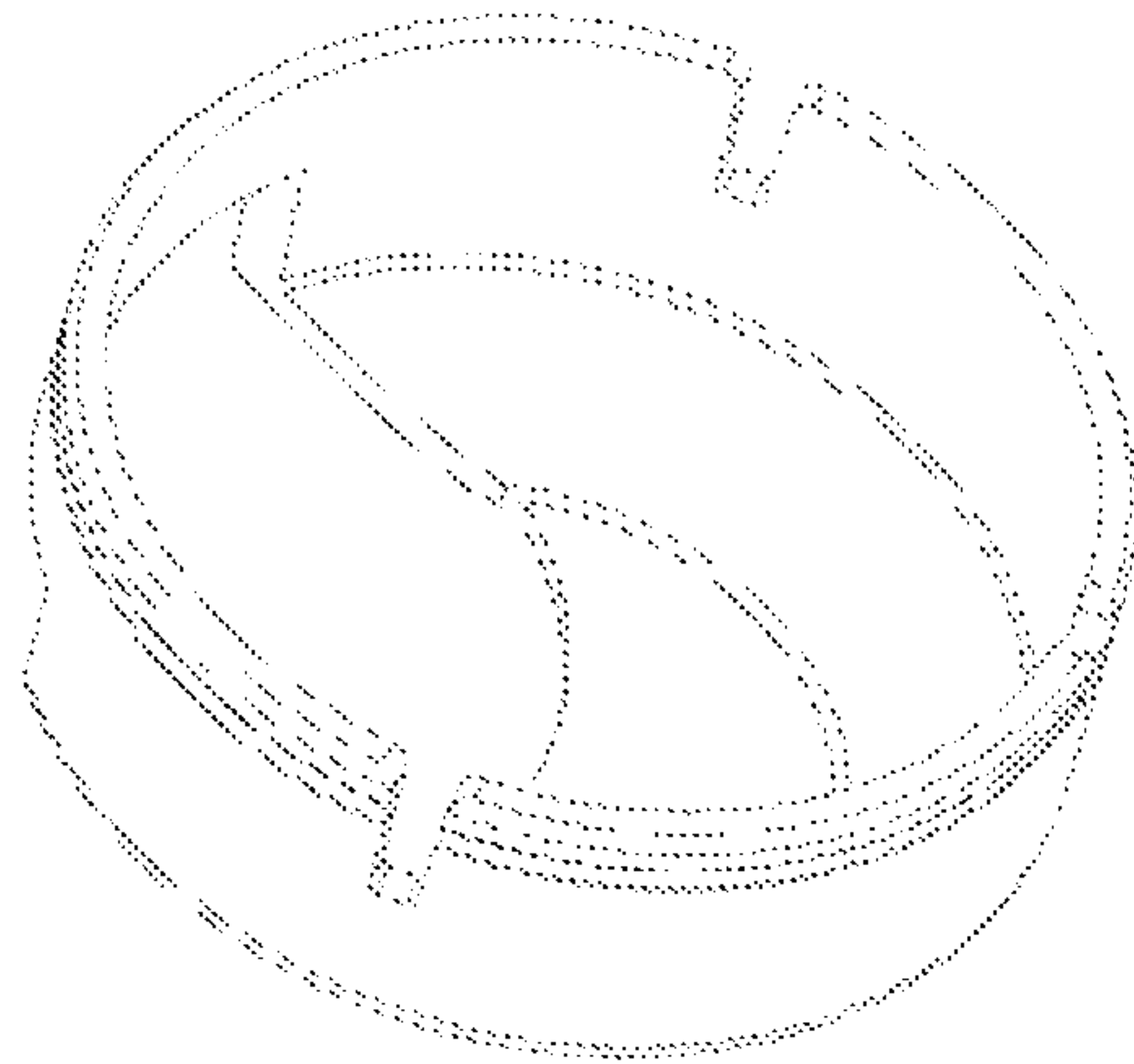


FIG. 17

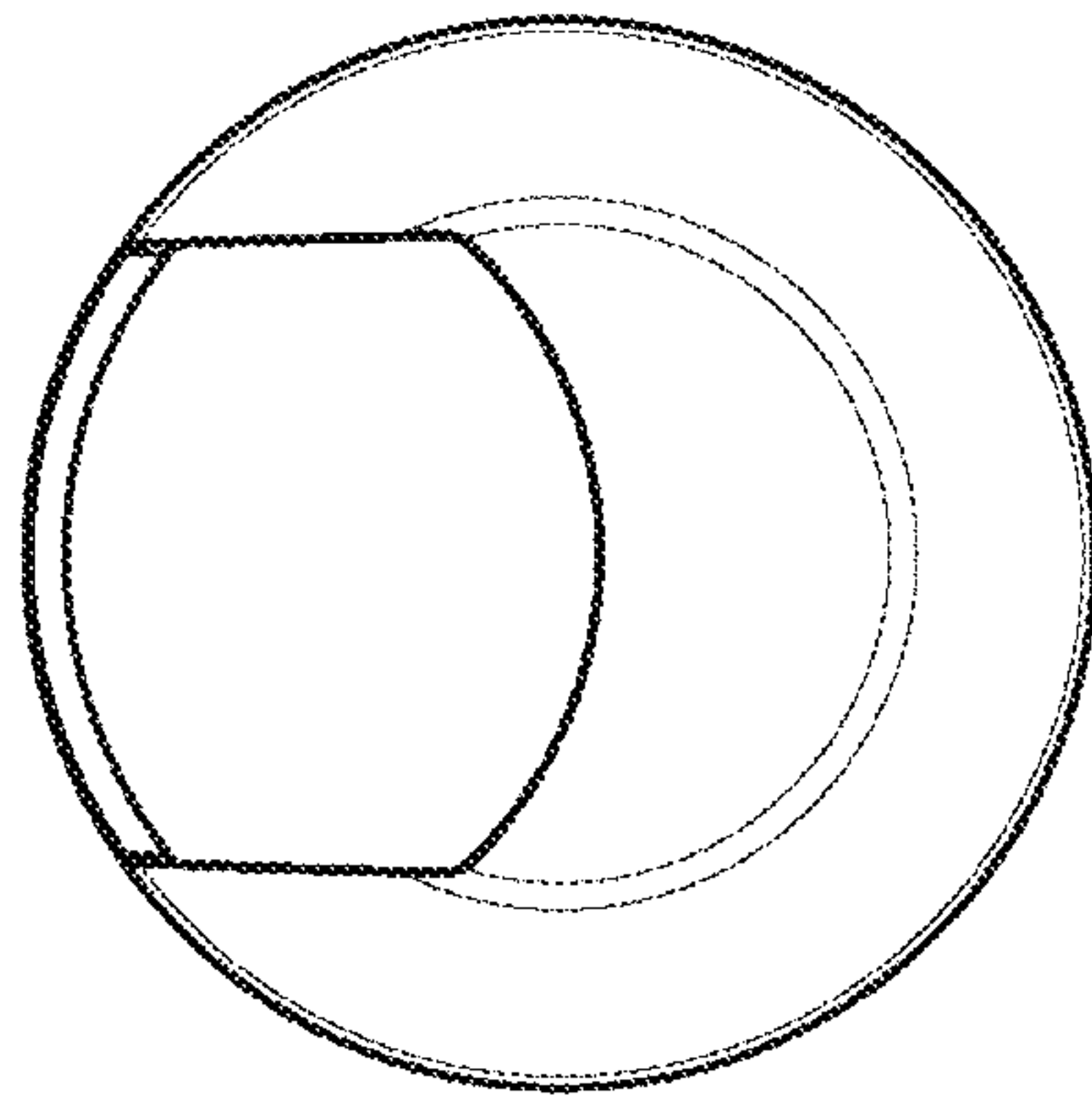


FIG. 18

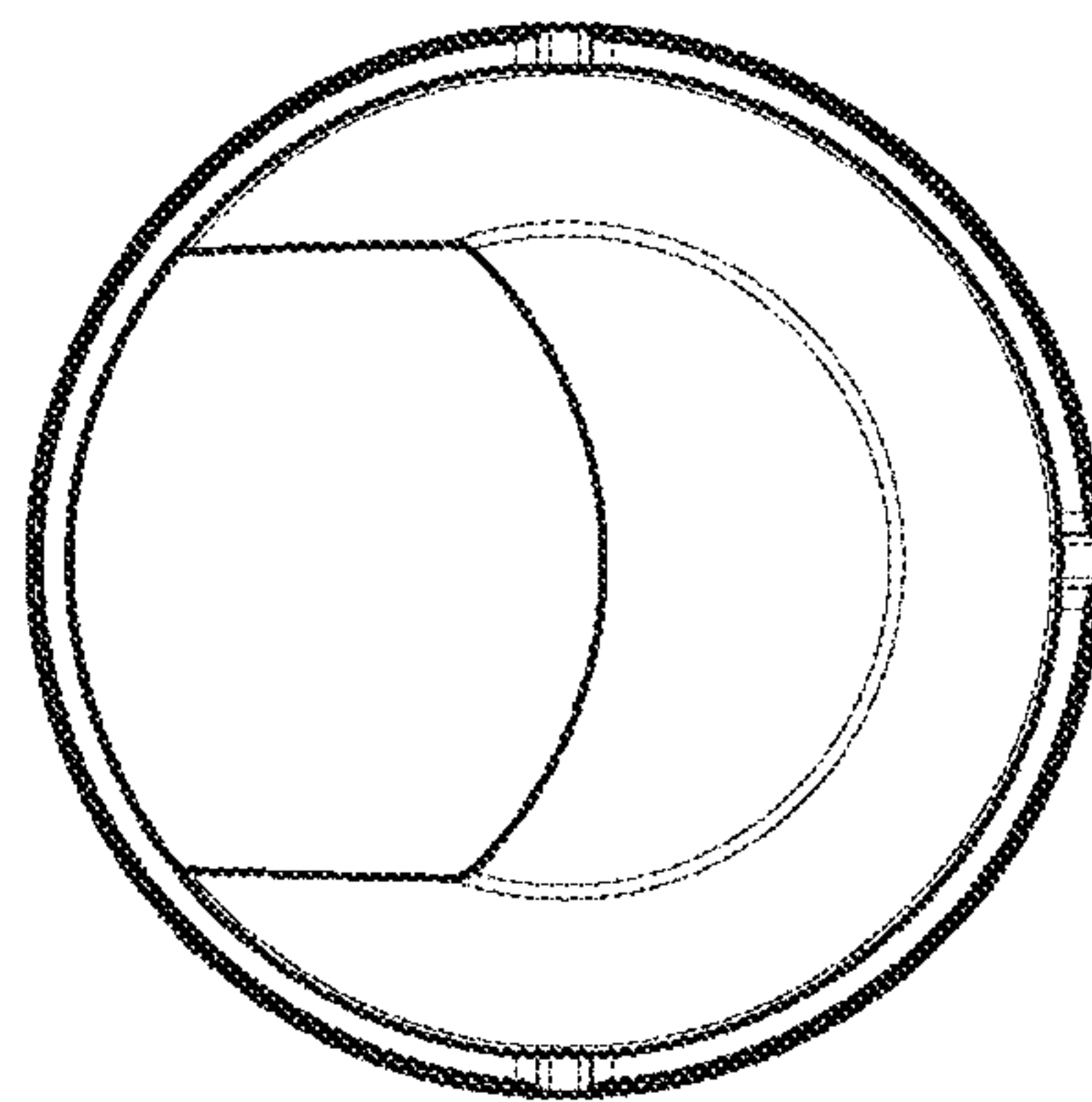


FIG. 19



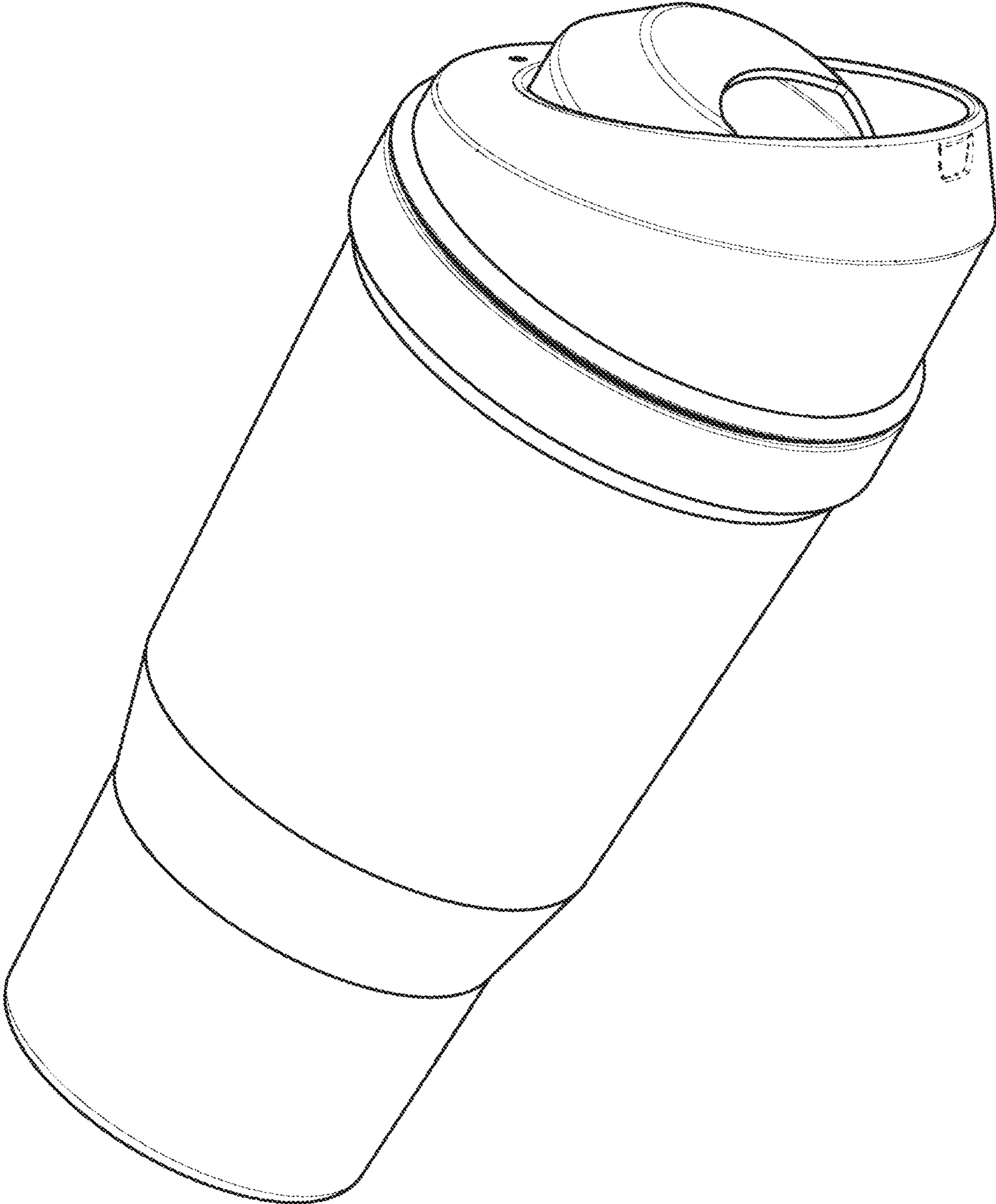


FIG.20

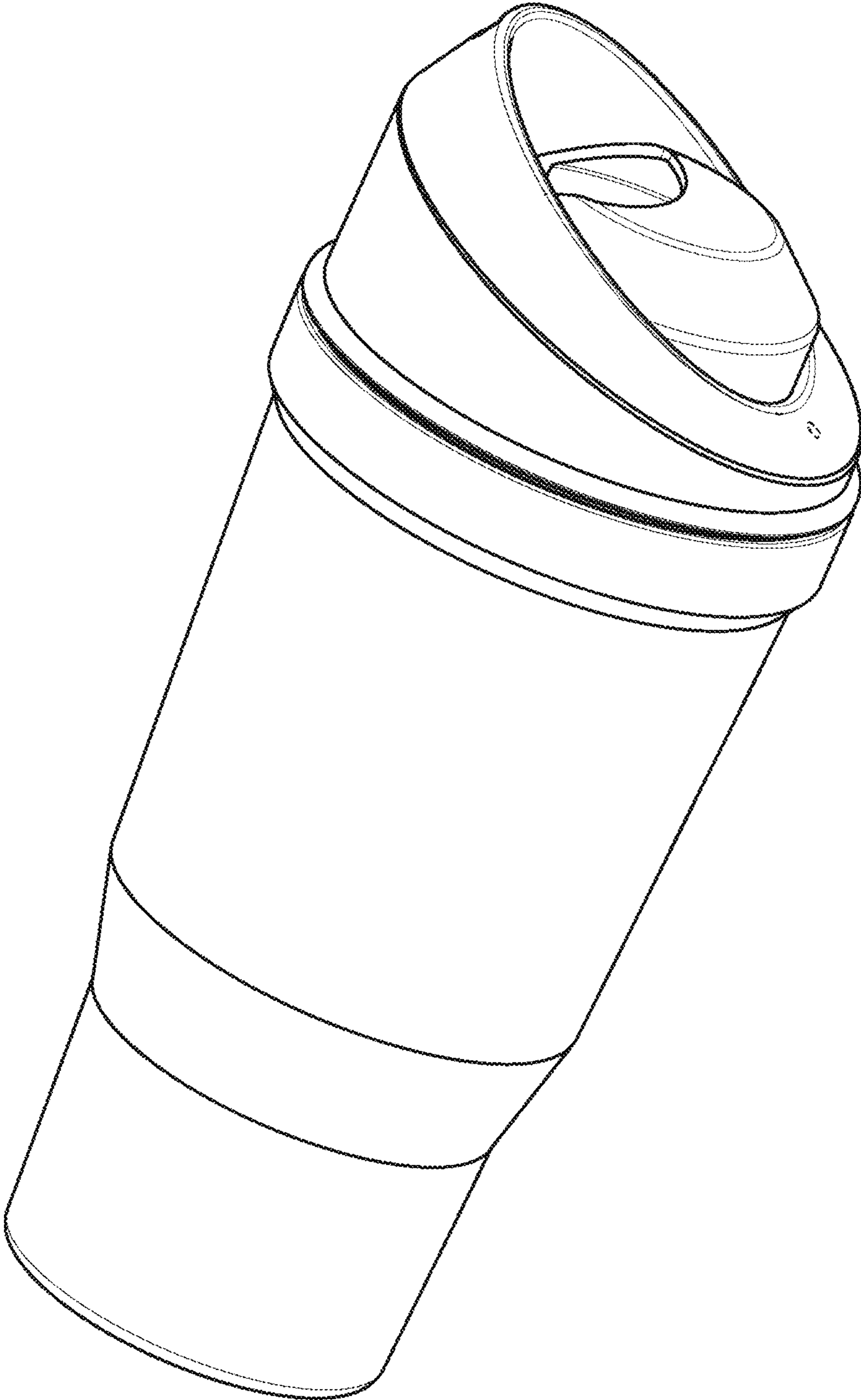


FIG. 21

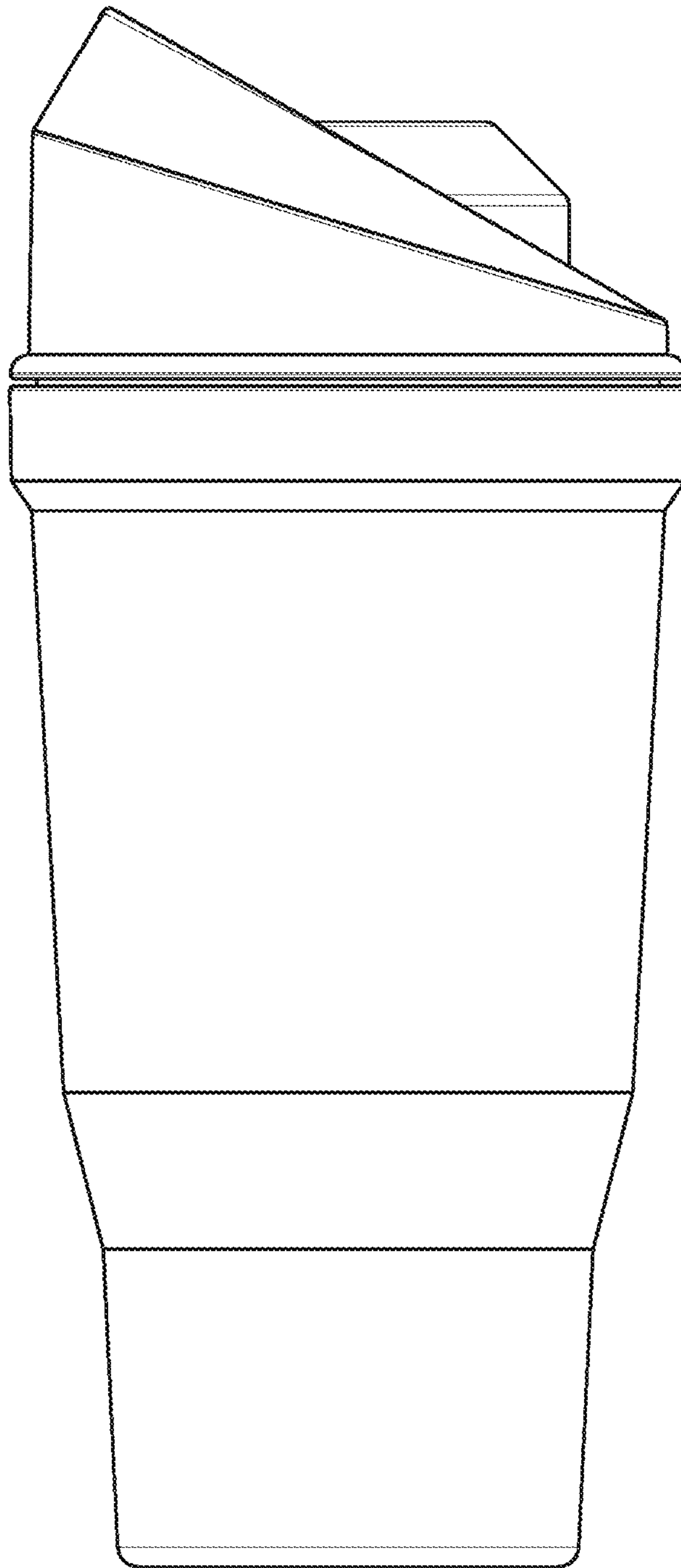


FIG. 22

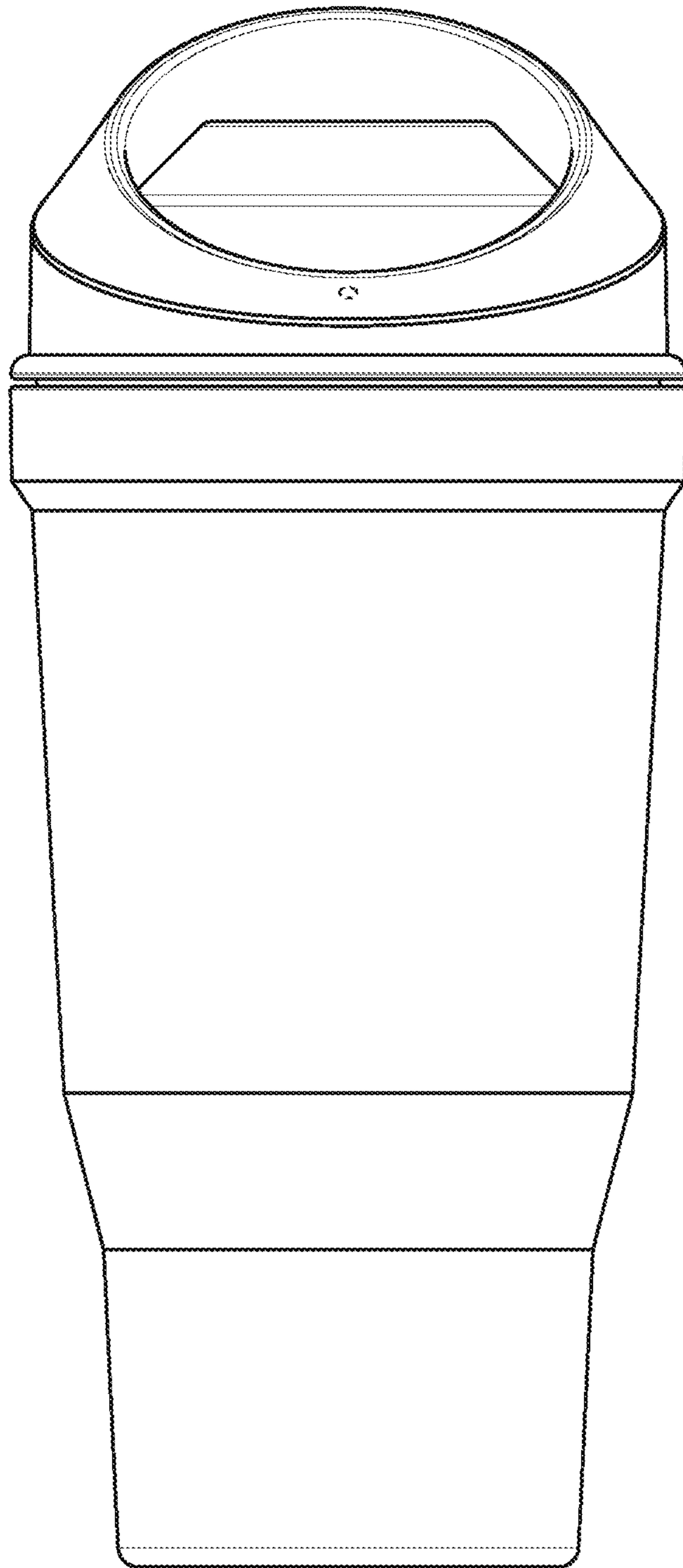


FIG. 23



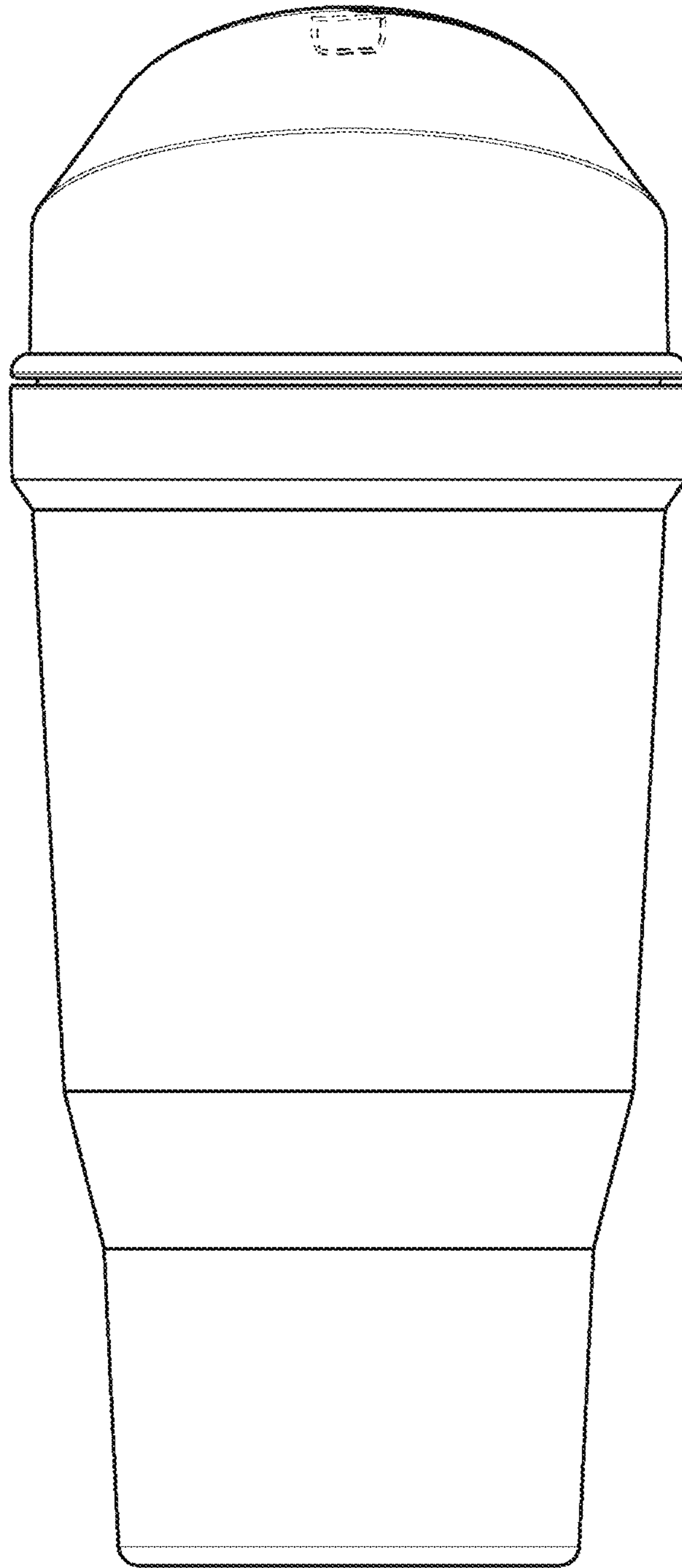


FIG. 24

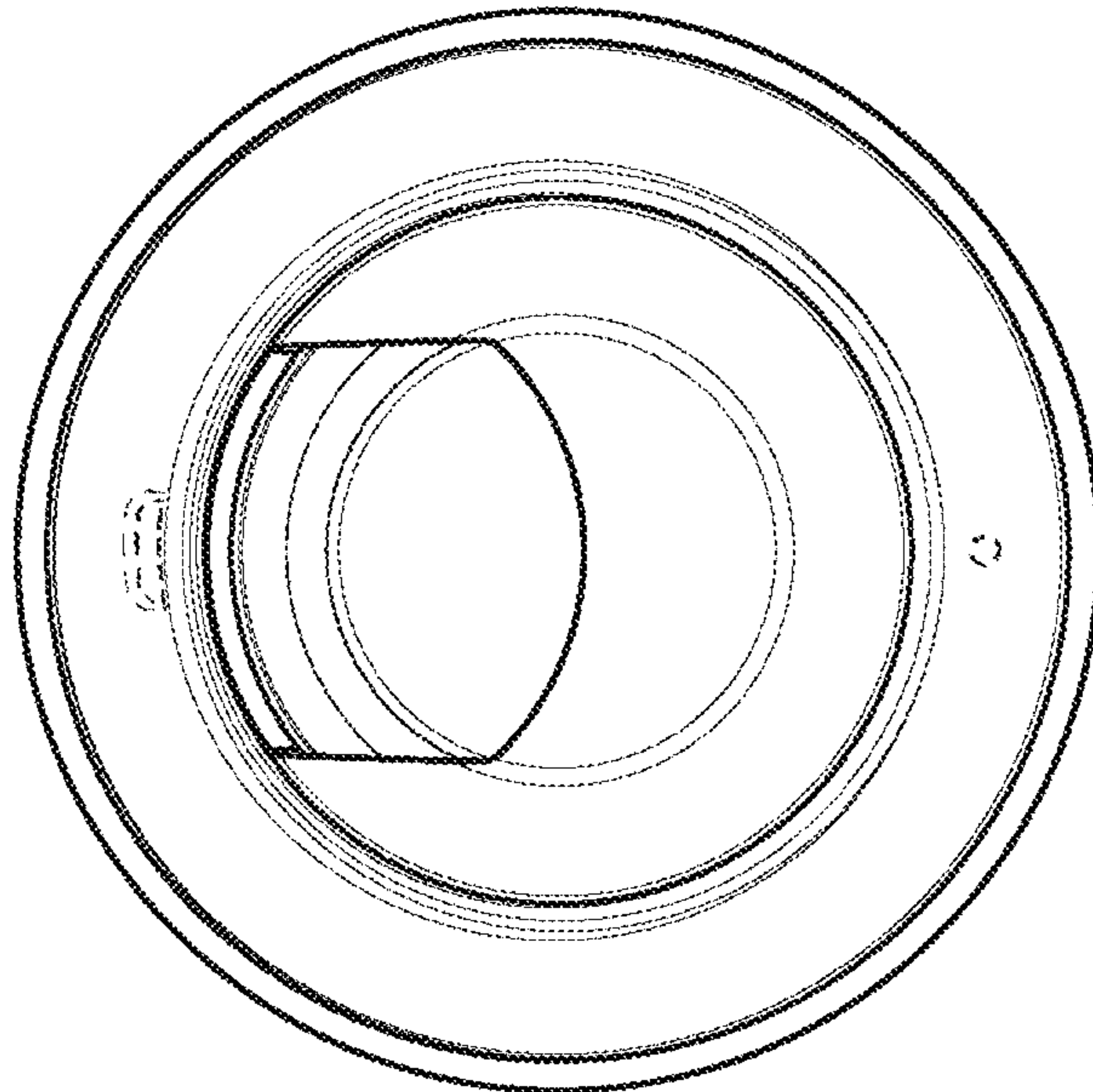


FIG. 25

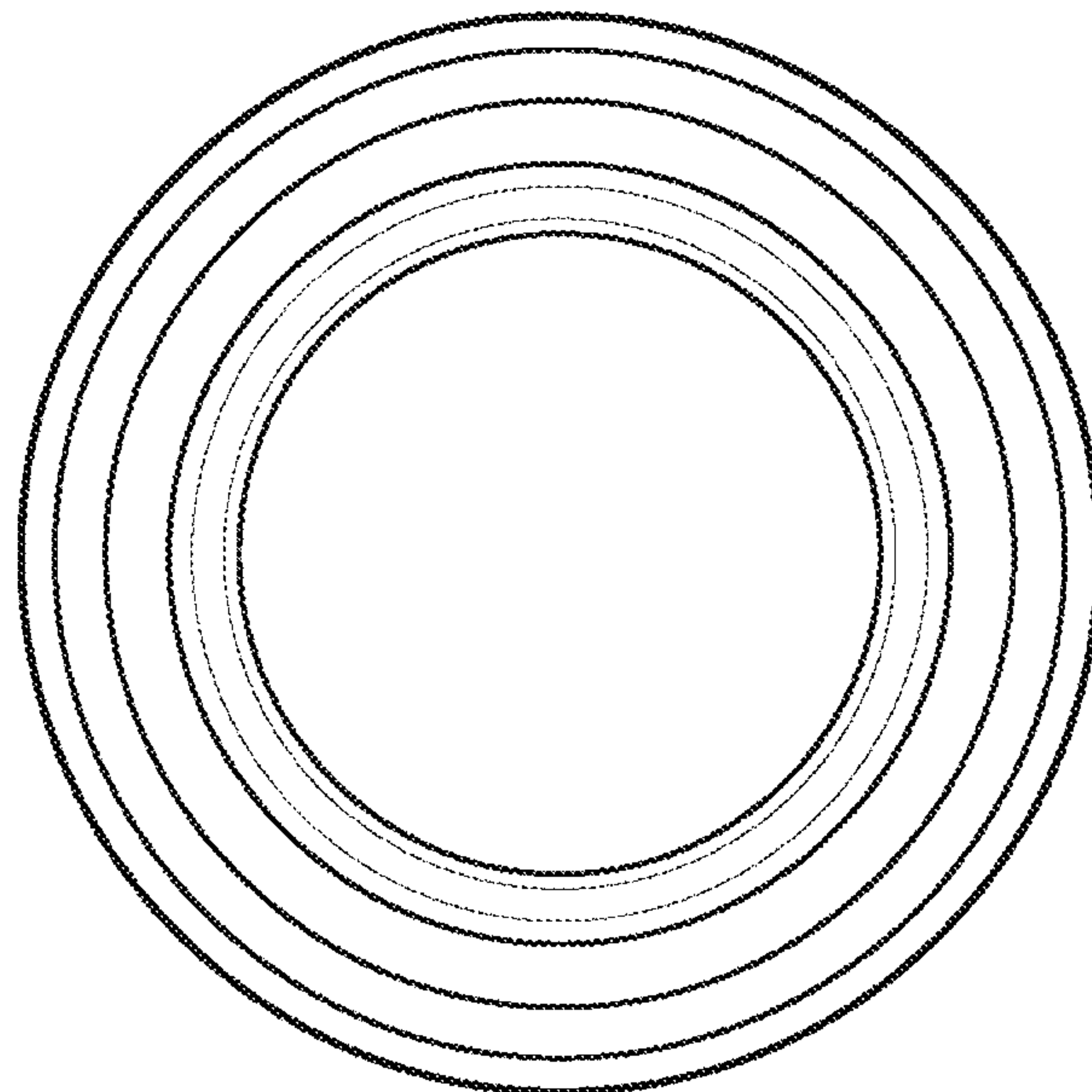


FIG. 26

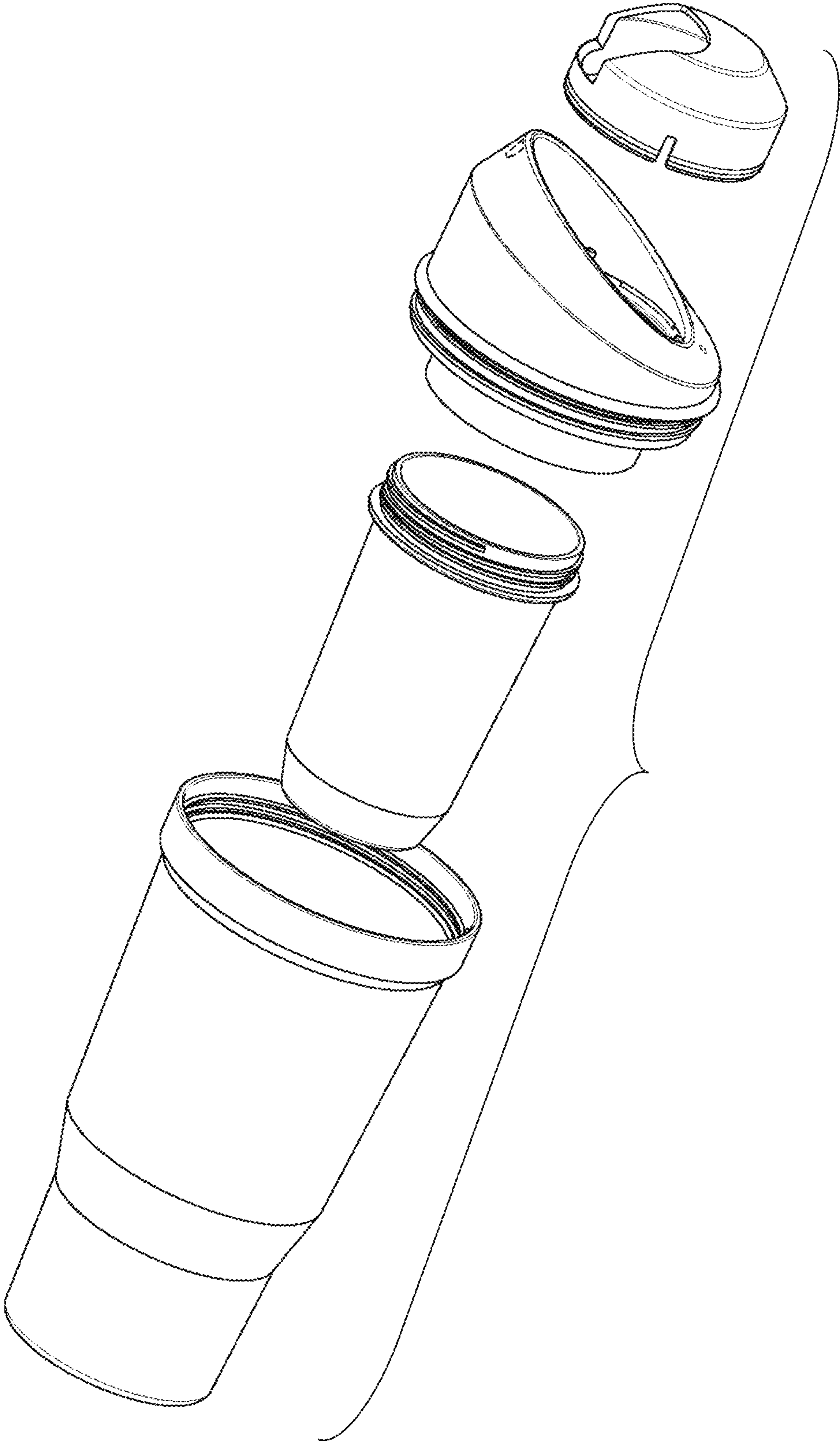


FIG. 27

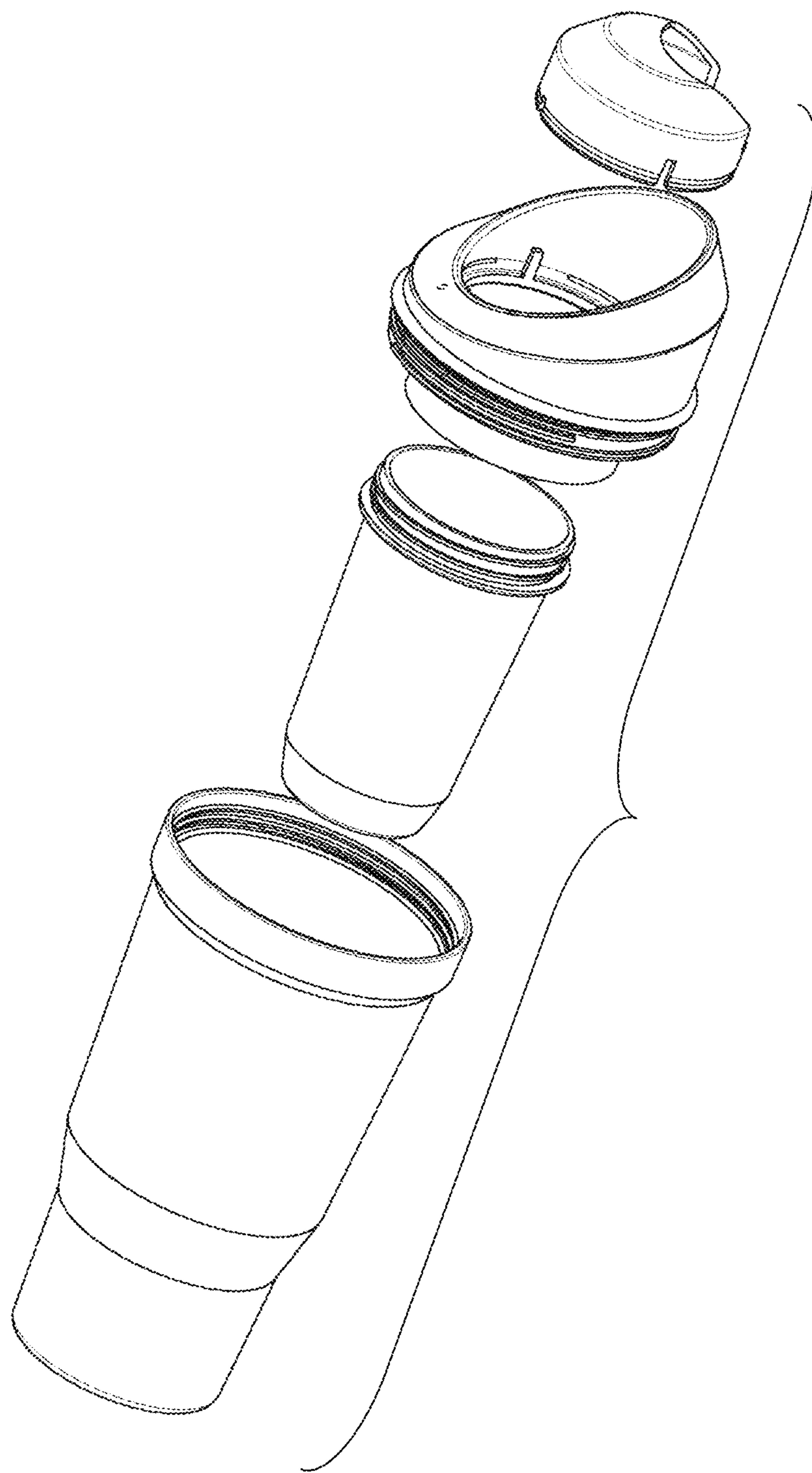


FIG. 28



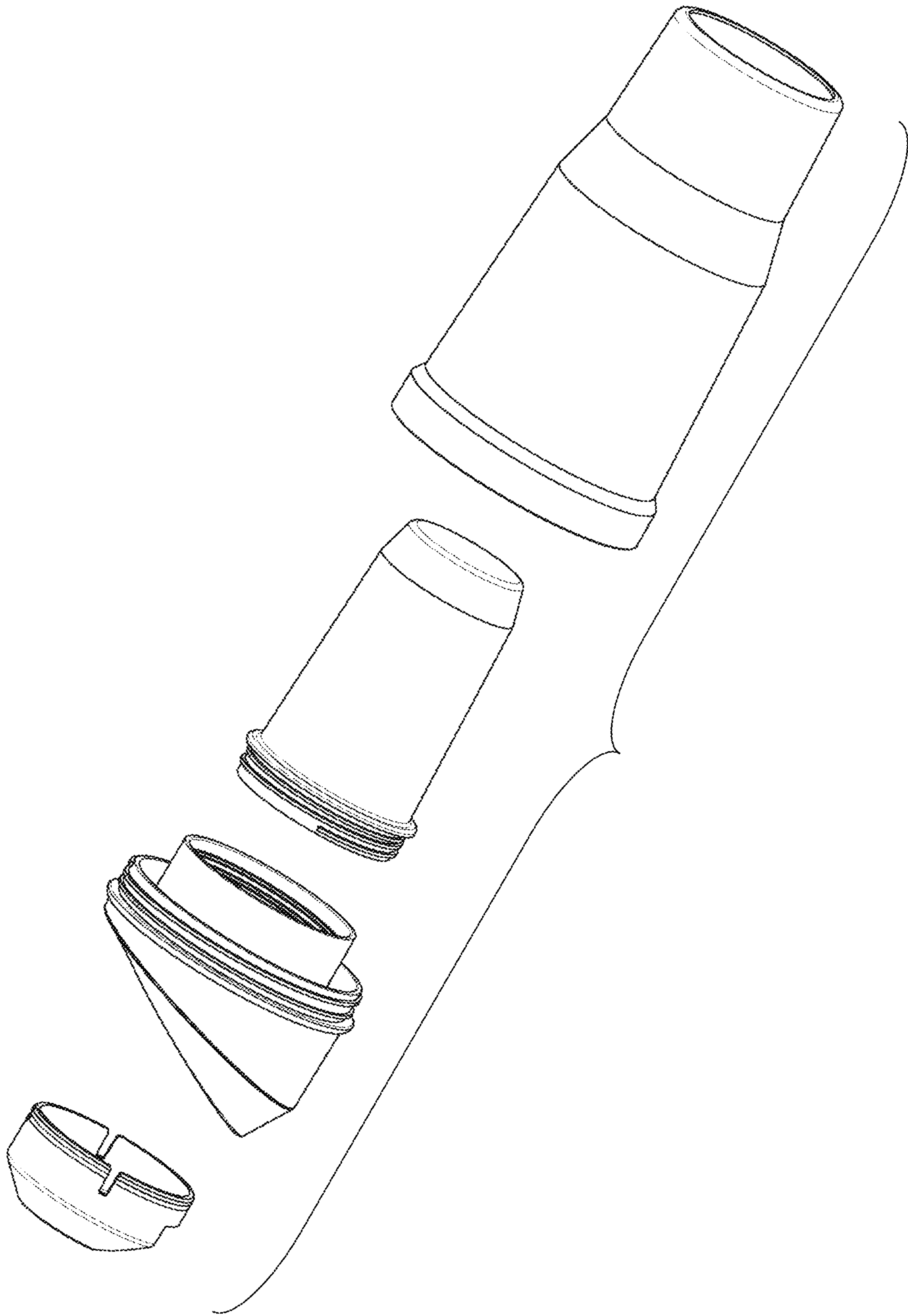


FIG. 29

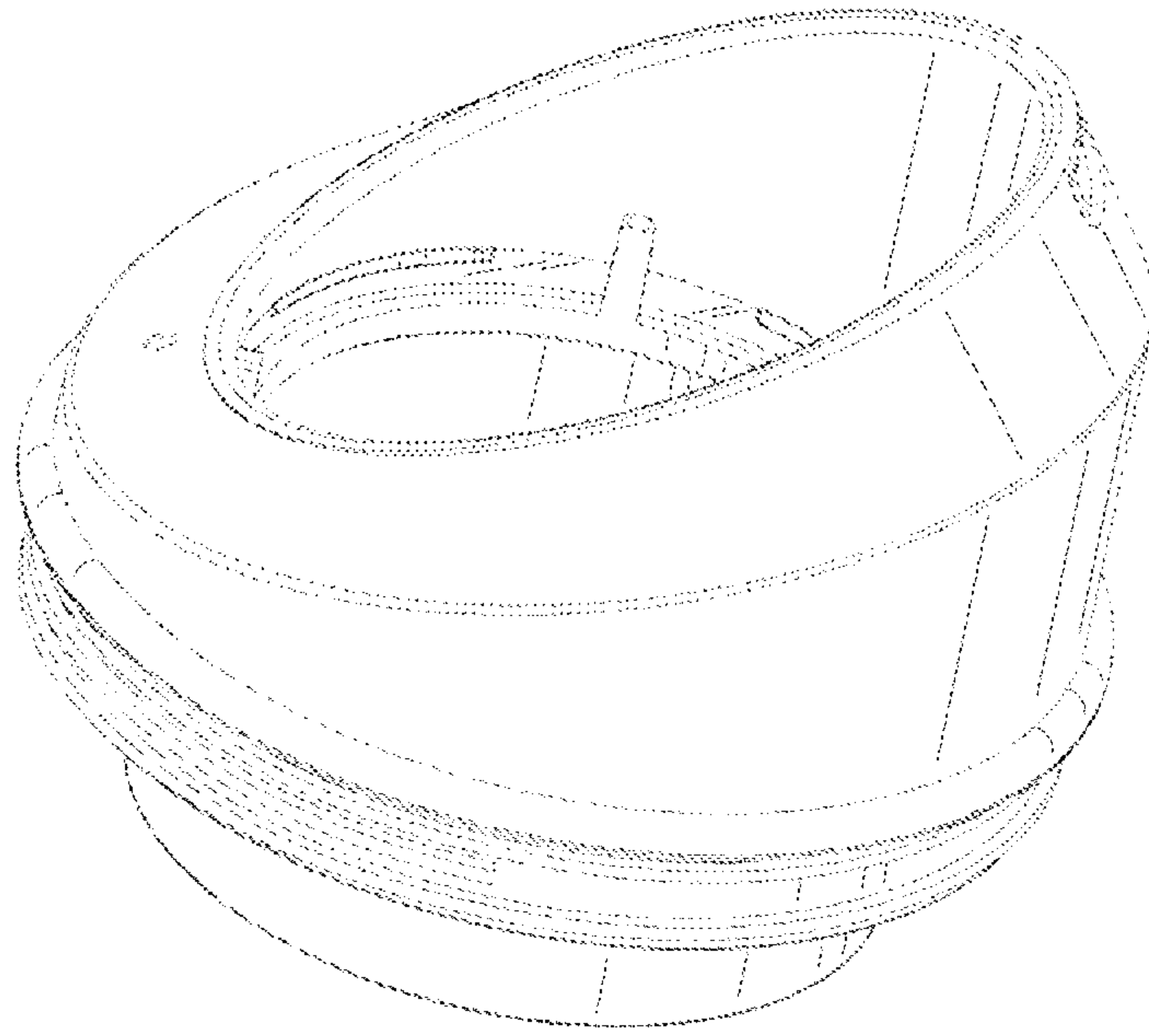


FIG. 30

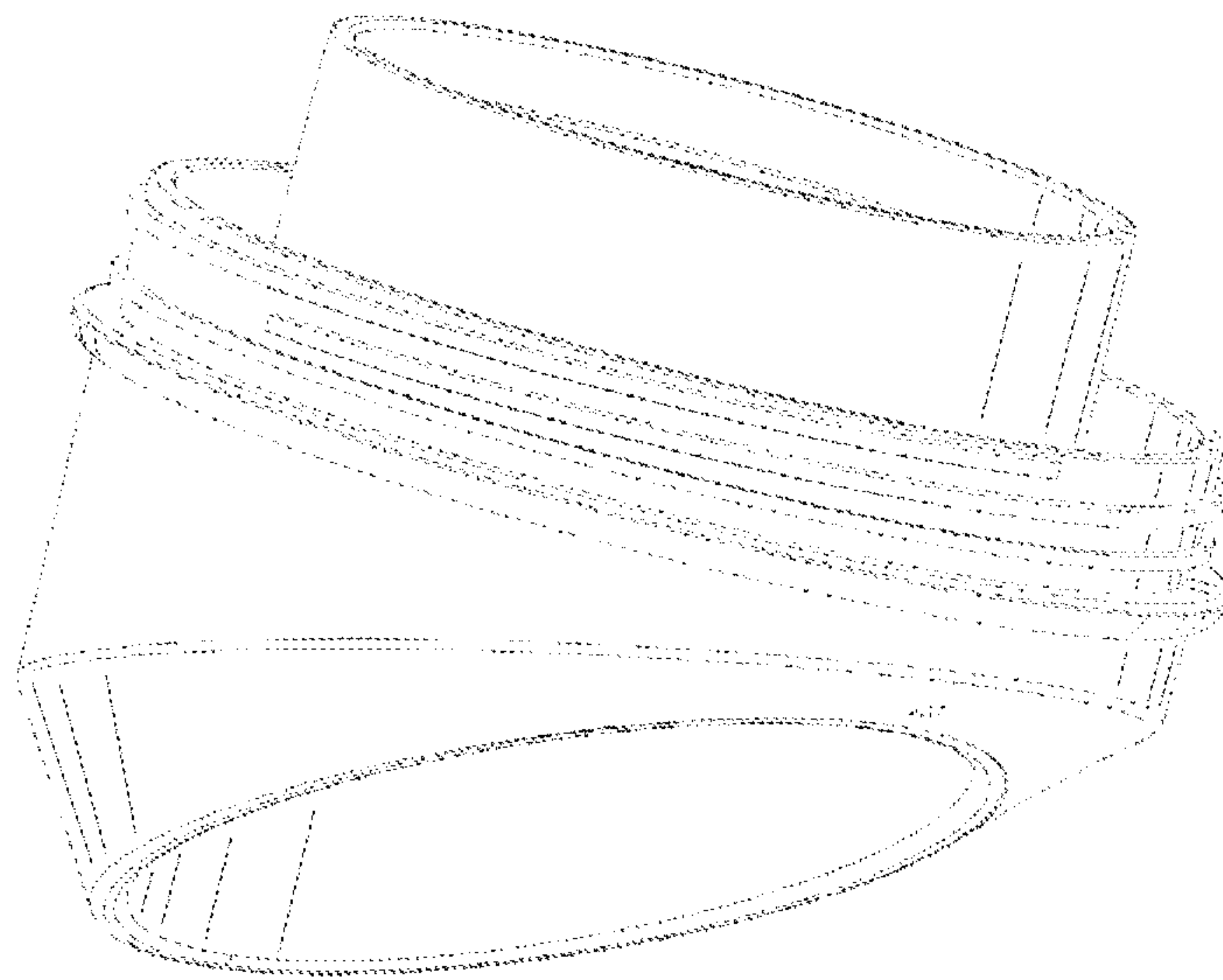


FIG. 31

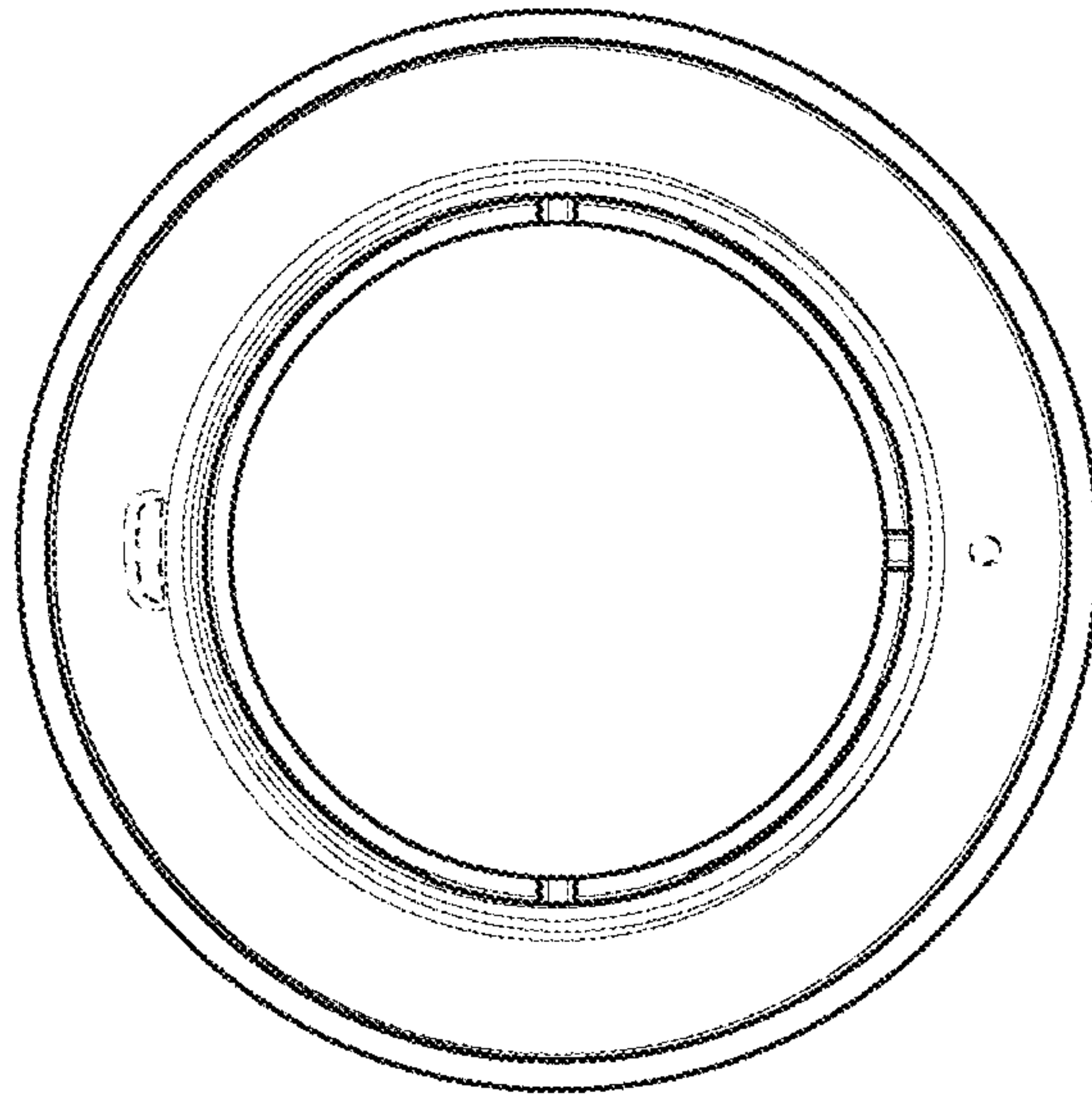


FIG. 32

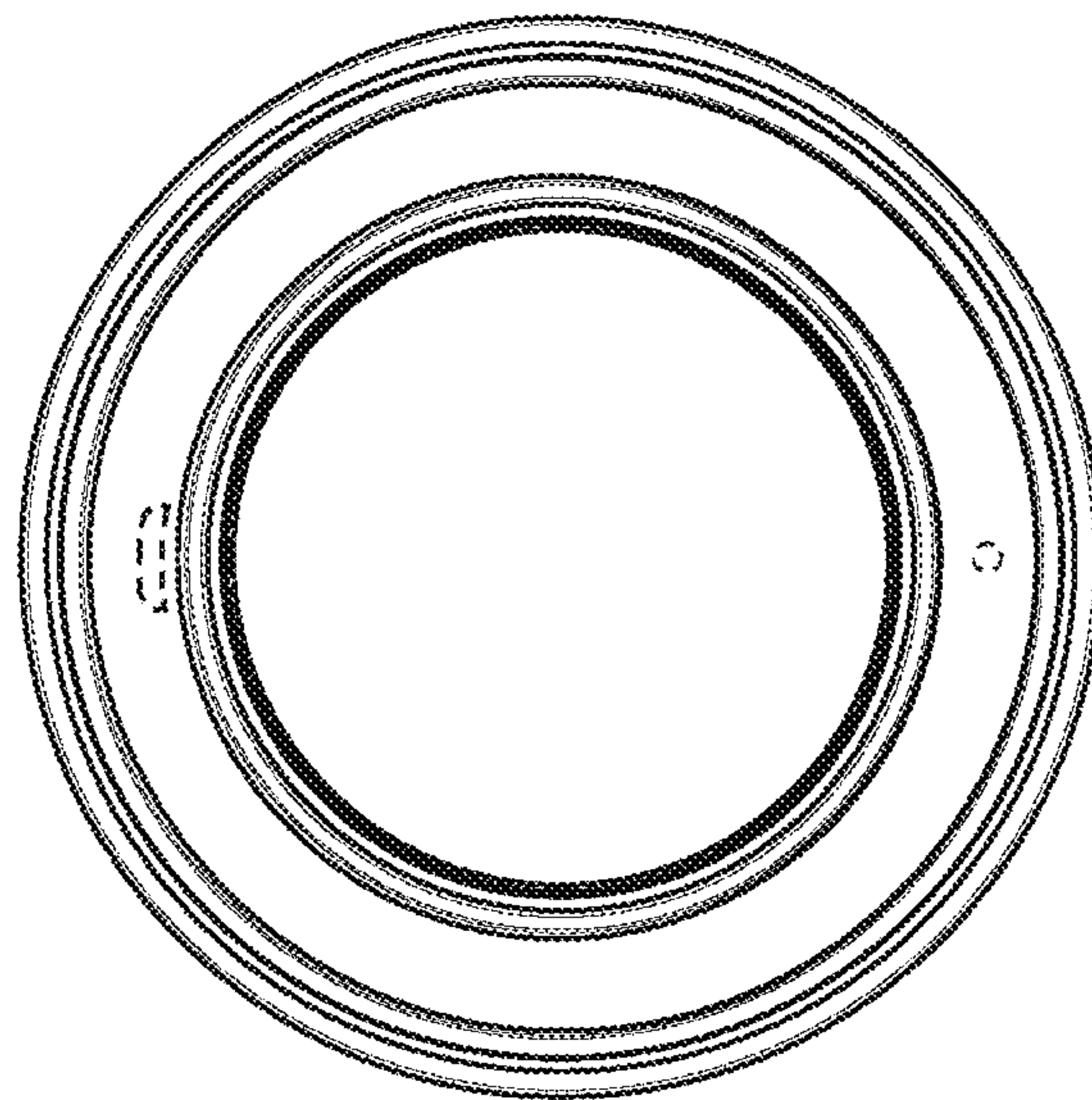


FIG. 33

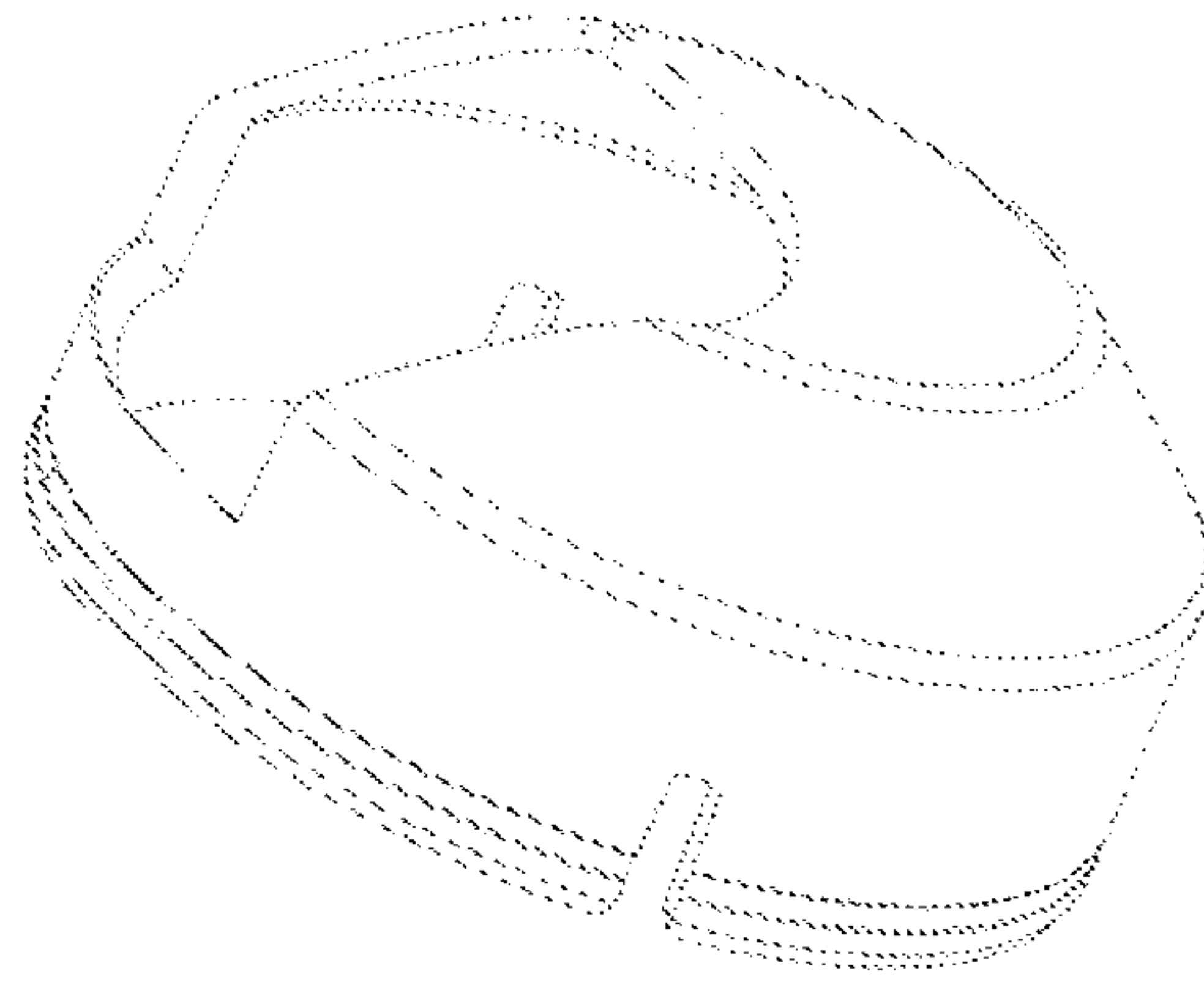


FIG. 34

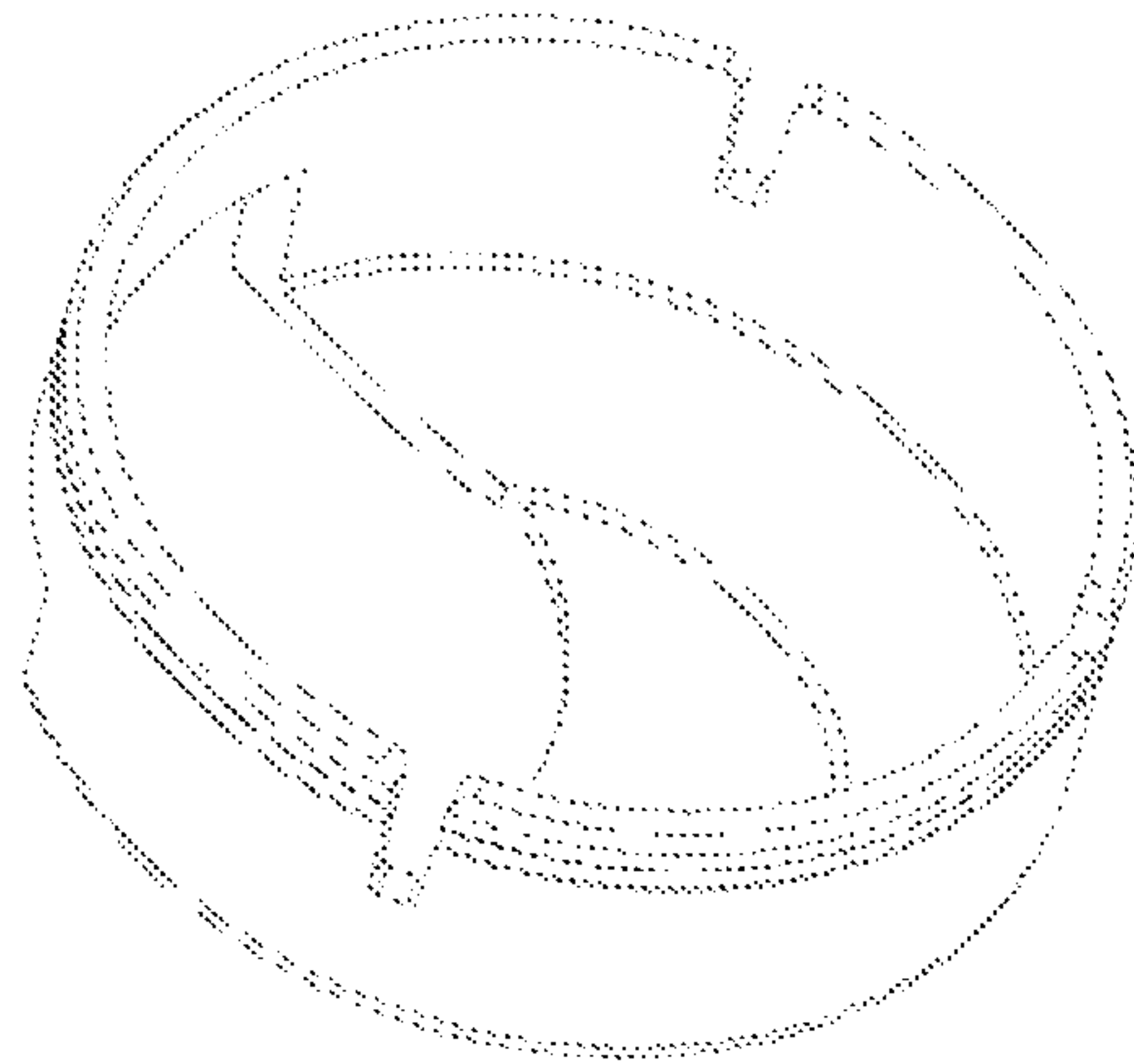


FIG. 35



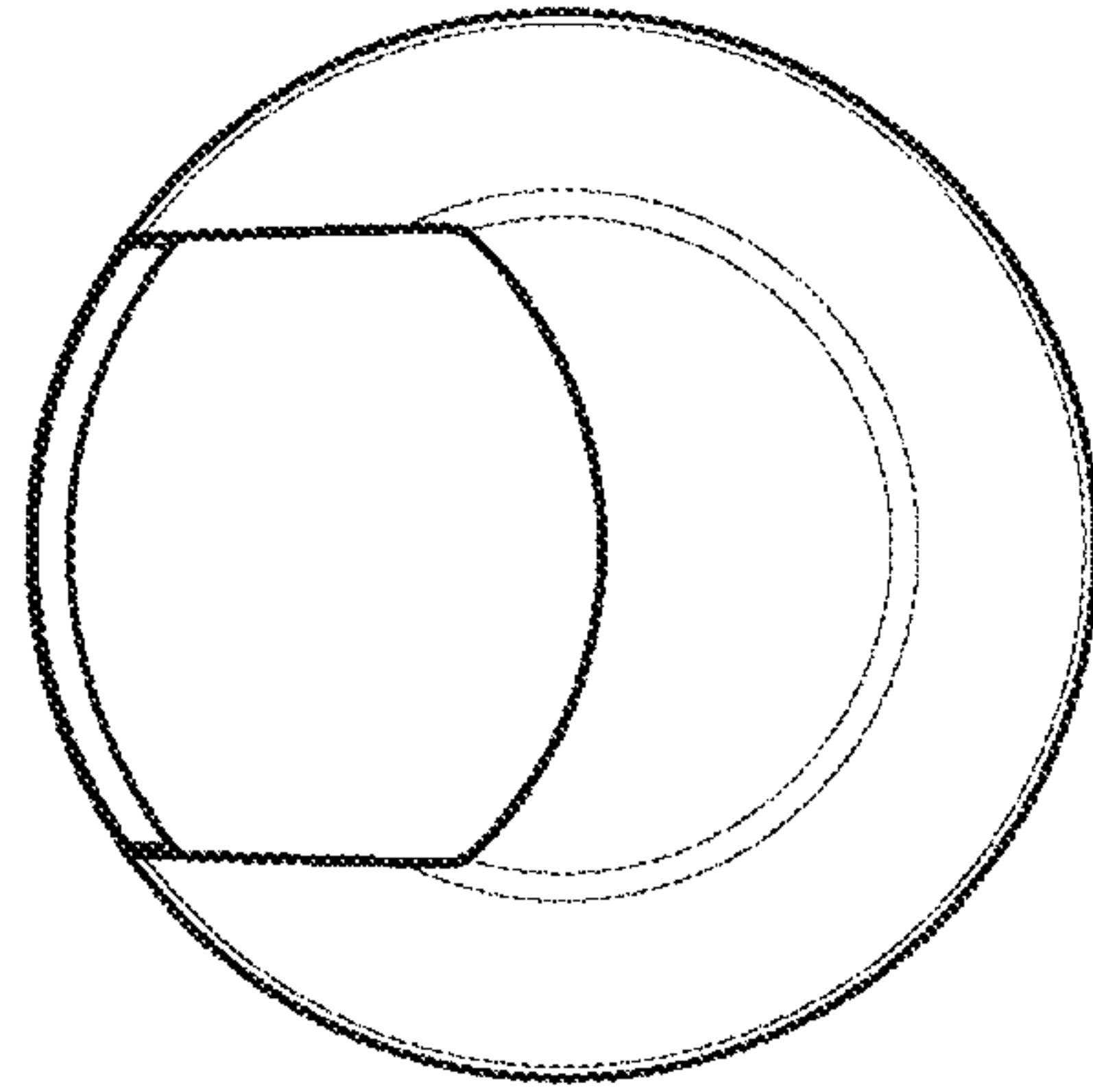


FIG. 36

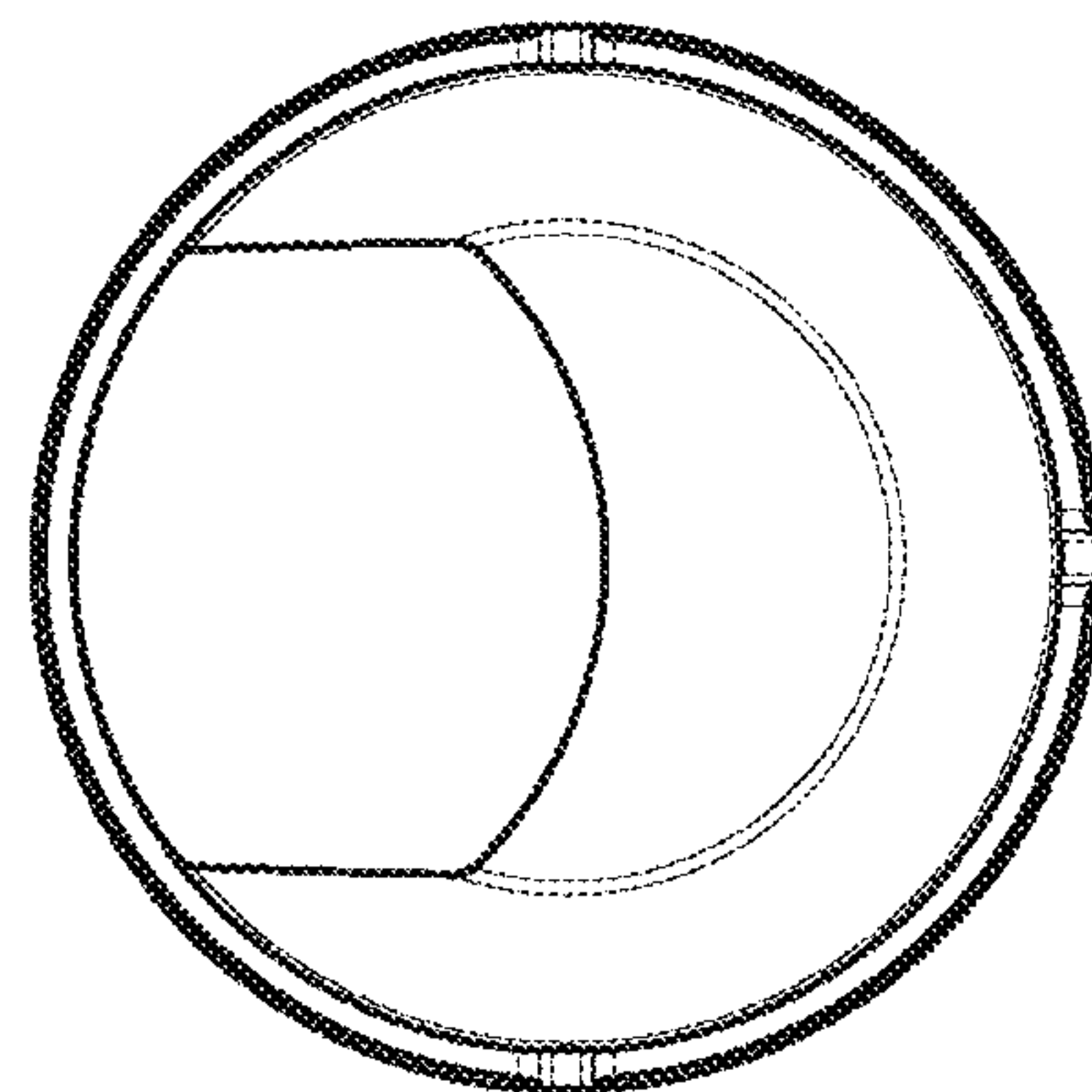


FIG. 37