



US00D905504S

(12) **United States Design Patent**  
**Upston**

(10) **Patent No.:** **US D905,504 S**

(45) **Date of Patent:** **\*\* Dec. 22, 2020**

- (54) **JUG**
- (71) Applicant: **Breville Pty Limited**, Alexandria (AU)
- (72) Inventor: **Gregory Upston**, Alexandria (AU)
- (73) Assignee: **Breville Pty Limited**, Alexandria (AU)
- (\*\*) Term: **15 Years**

D678,726 S *	3/2013	Palermo	.....	D7/376
D684,818 S *	6/2013	Lee	.....	D7/376
D705,606 S *	5/2014	Coakley	.....	D7/376
D769,061 S *	10/2016	Diderotto	.....	D7/376
D783,354 S *	4/2017	Smith	.....	D7/376
D784,761 S *	4/2017	Tu	.....	D7/376
D808,719 S *	1/2018	Coakley	.....	D7/413
D811,167 S *	2/2018	Smith	.....	D7/413
D835,463 S *	12/2018	Coakley	.....	D7/413
D846,338 S *	4/2019	Smith	.....	D7/378
D851,982 S *	6/2019	DeLeo	.....	D7/378

(21) Appl. No.: **29/675,607**

(22) Filed: **Jan. 3, 2019**

(30) **Foreign Application Priority Data**

Jul. 13, 2018 (AU) ..... 201814193

(51) **LOC (12) Cl.** ..... **31-00**

(52) **U.S. Cl.**  
USPC ..... **D7/413; D7/376; D7/378; D7/412**

(58) **Field of Classification Search**  
USPC ..... D7/372, 376-386, 412-413, 602, 629,  
D7/665-666, 669, 679, 693-694

CPC .... A21C 1/02; A21C 1/04; A23N 1/00; A23N  
1/02; A47J 43/04; A47J 43/25; A47J  
43/27; A47J 43/042; A47J 43/044; A47J  
43/046; A47J 43/075; A47J 43/0722;  
A47J 43/0727; B01F 3/00; B01F 3/0807;  
B01F 3/0853; B01F 13/0059; B01F  
13/0064; B02C 1/08; B02C 2/04; B02C  
4/42; B02C 4/142; B02C 4/143; B02C  
4/423; B02C 13/1835; B28C 5/10; B28C  
5/12; B28C 5/14; B28C 5/16

See application file for complete search history.

(56) **References Cited**

**U.S. PATENT DOCUMENTS**

D588,406 S *	3/2009	Ulanski	.....	D7/413
D621,656 S *	8/2010	Ulanski	.....	D7/378

**FOREIGN PATENT DOCUMENTS**

DE	40 2011 004	9/2011
	539-0015	

\* cited by examiner

*Primary Examiner* — Ricky Pham

(74) *Attorney, Agent, or Firm* — Moser Taboada

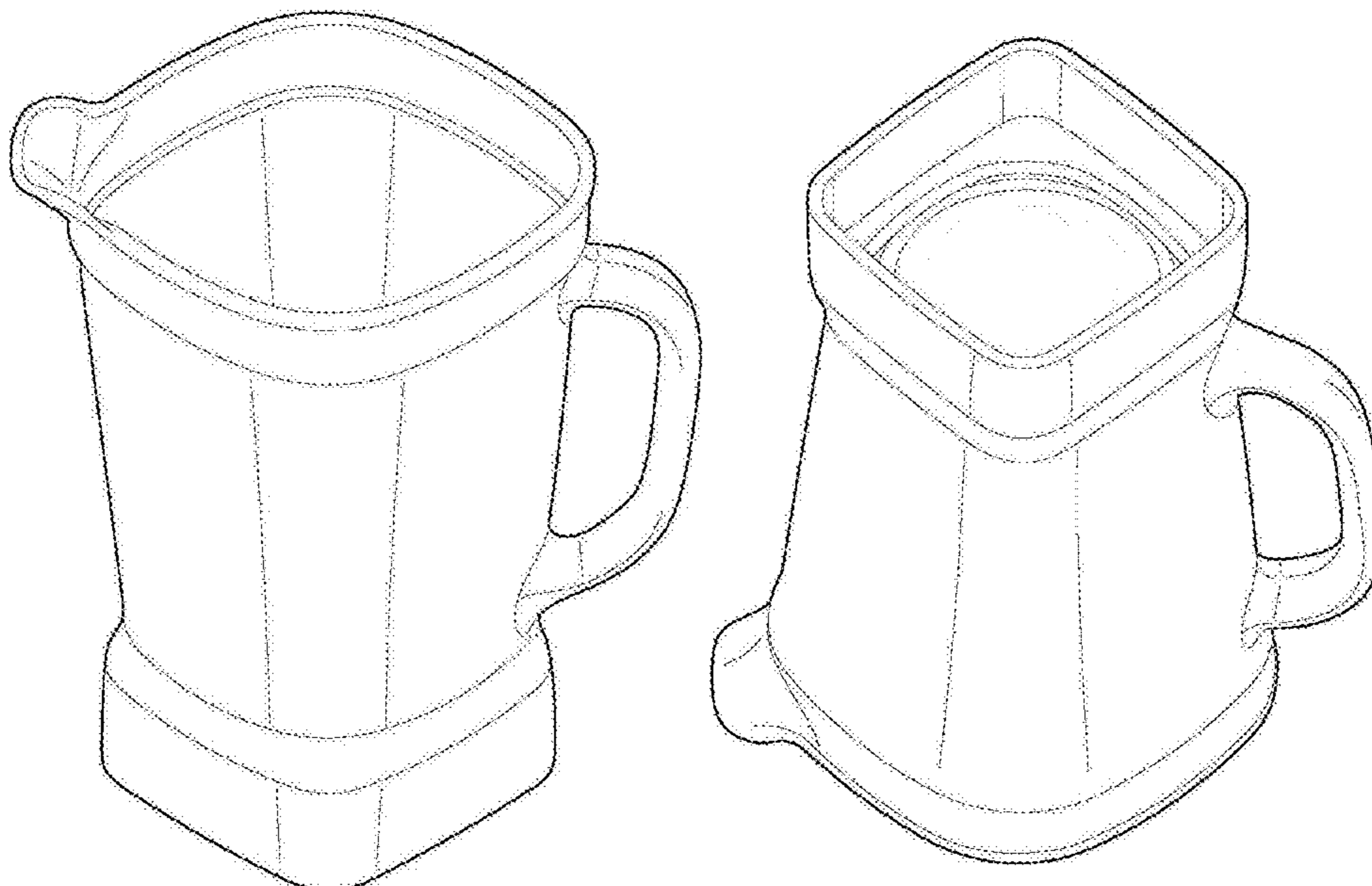
(57) **CLAIM**

The ornamental design for a jug, as shown and described.

**DESCRIPTION**

FIG. 1 is a first isometric view of a jug embodying the new design;  
 FIG. 2 is a second isometric view of the design shown in FIG. 1;  
 FIG. 3 is a third isometric view of the design shown in FIG. 1;  
 FIG. 4 is a top view of the design shown in FIG. 1;  
 FIG. 5 is a front-right view of the design shown in FIG. 1;  
 FIG. 6 is a rear-right view of the design shown in FIG. 1;  
 FIG. 7 is a front view of the design shown in FIG. 1;  
 FIG. 8 is a right view of the design shown in FIG. 1;  
 FIG. 9 is a rear view of the design shown in FIG. 1; and,  
 FIG. 10 is a bottom view of the design shown in FIG. 1.

**1 Claim, 10 Drawing Sheets**



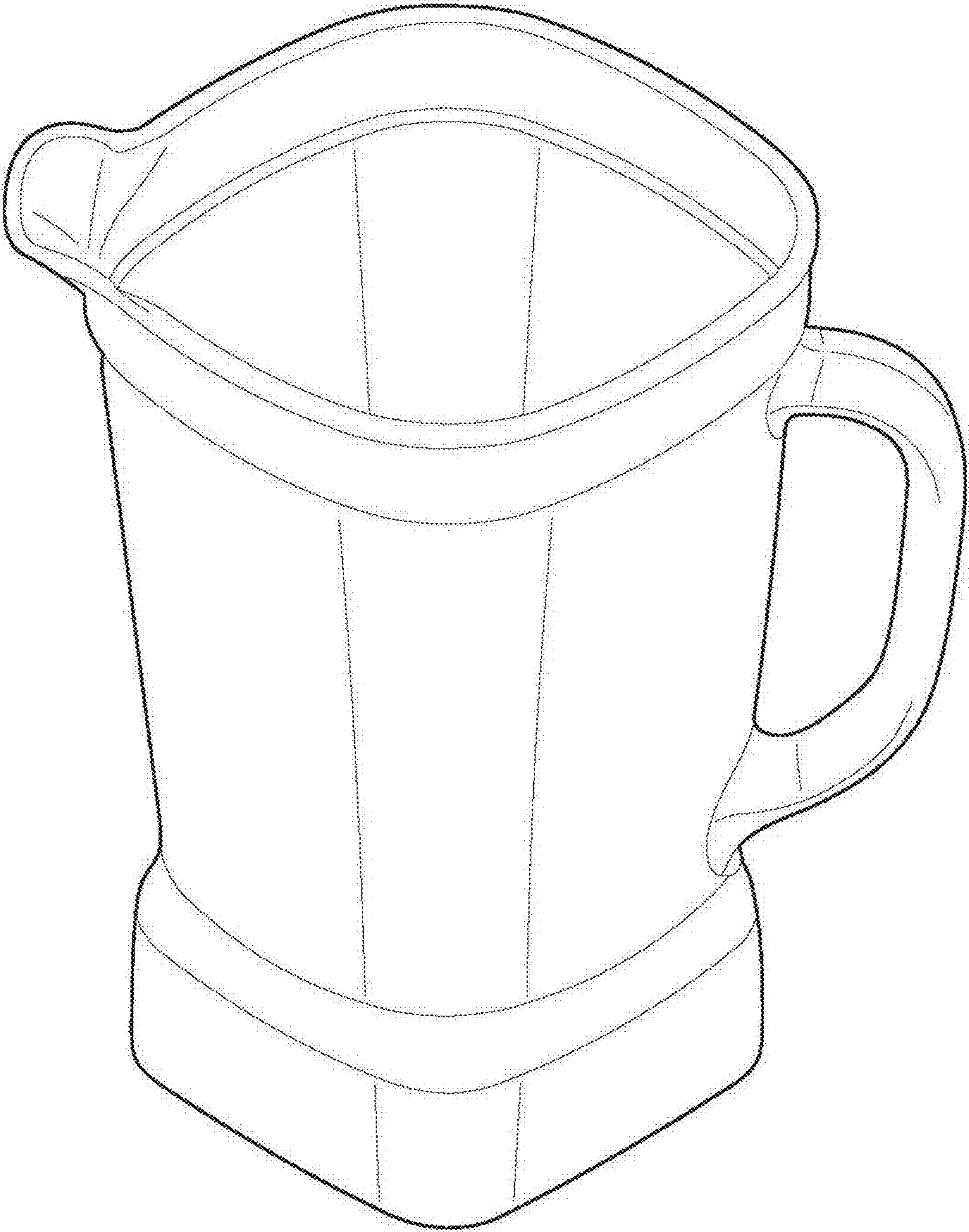


FIG. 1

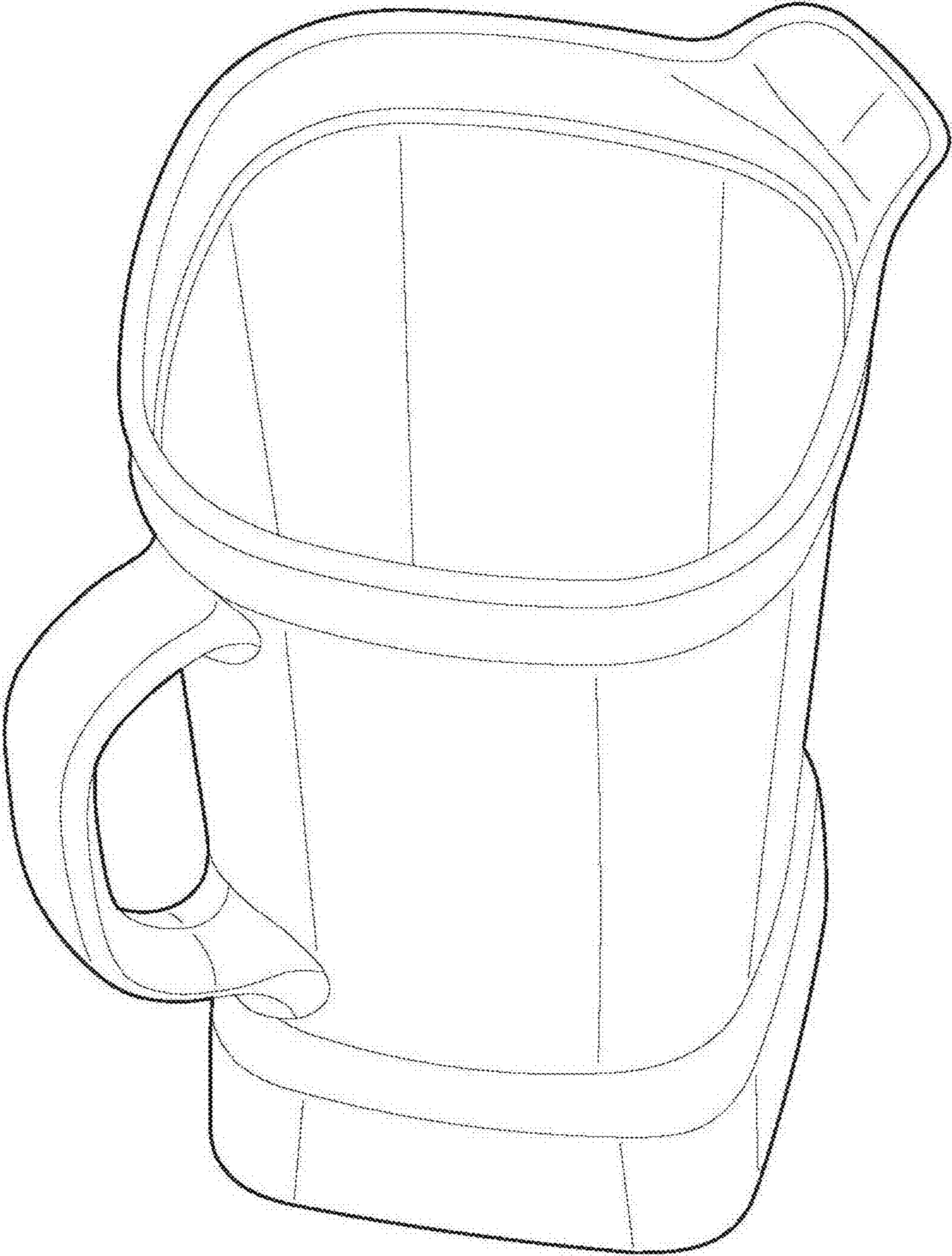


FIG. 2



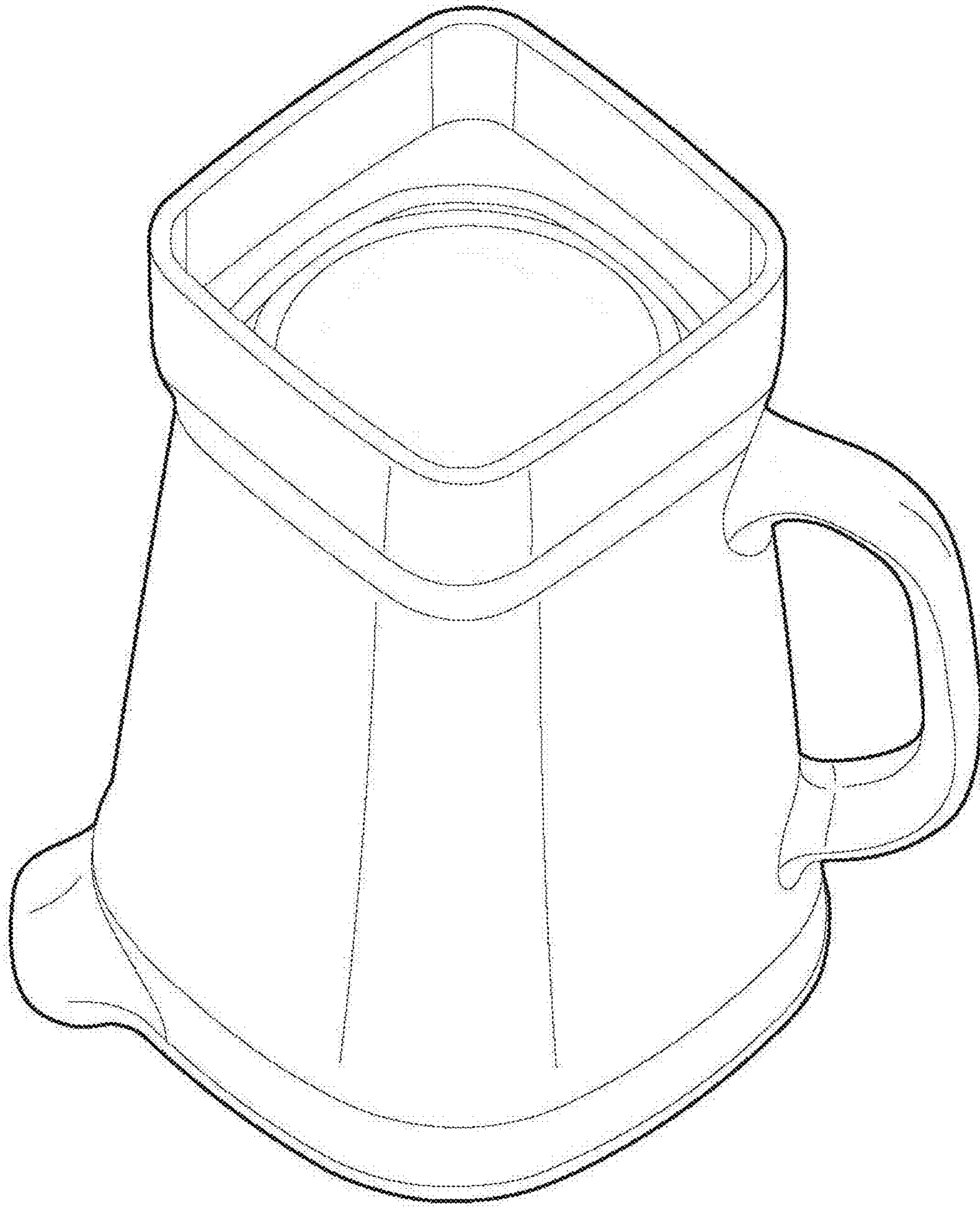


FIG. 3

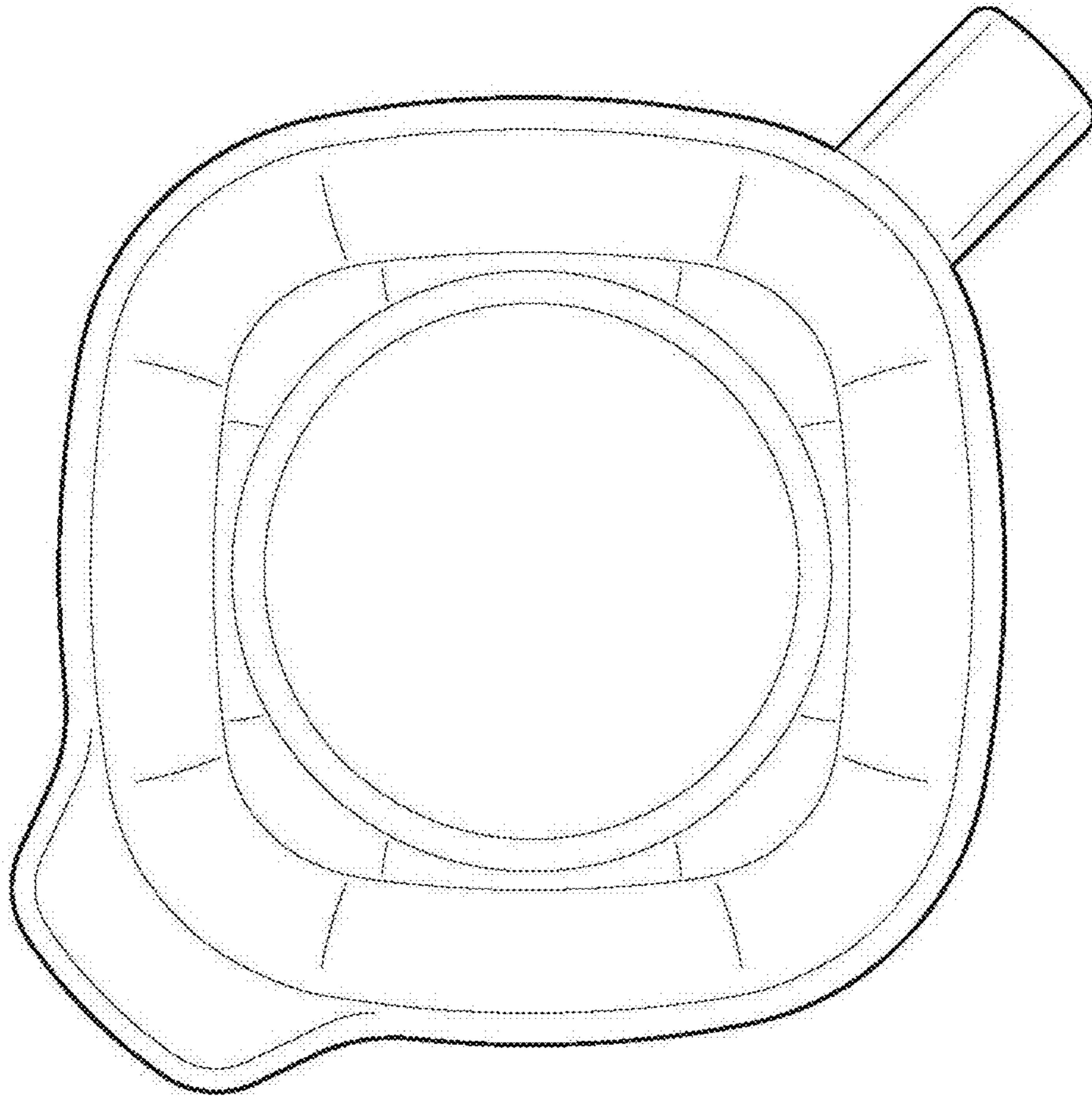


FIG. 4

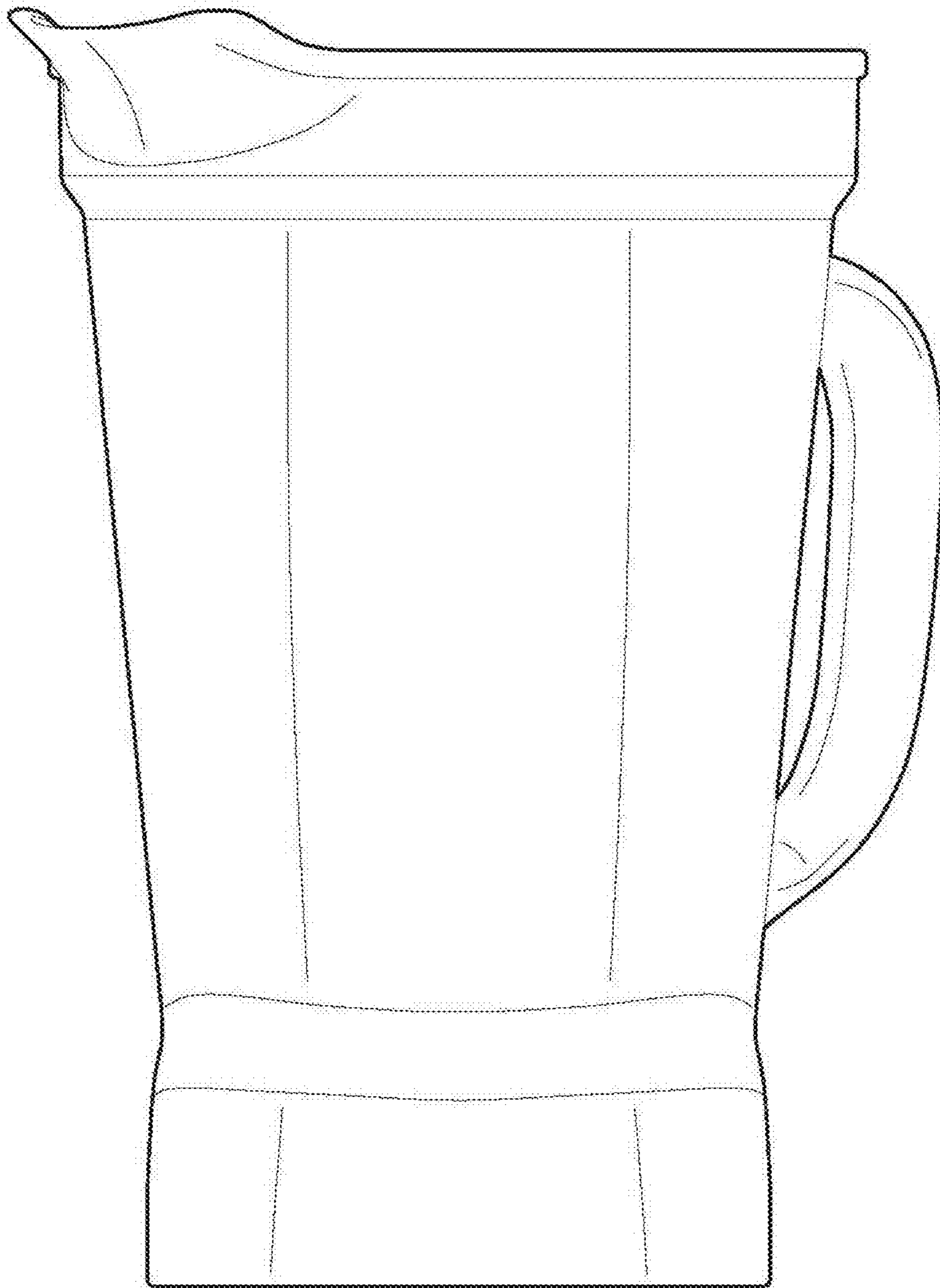


FIG. 5



FIG. 6

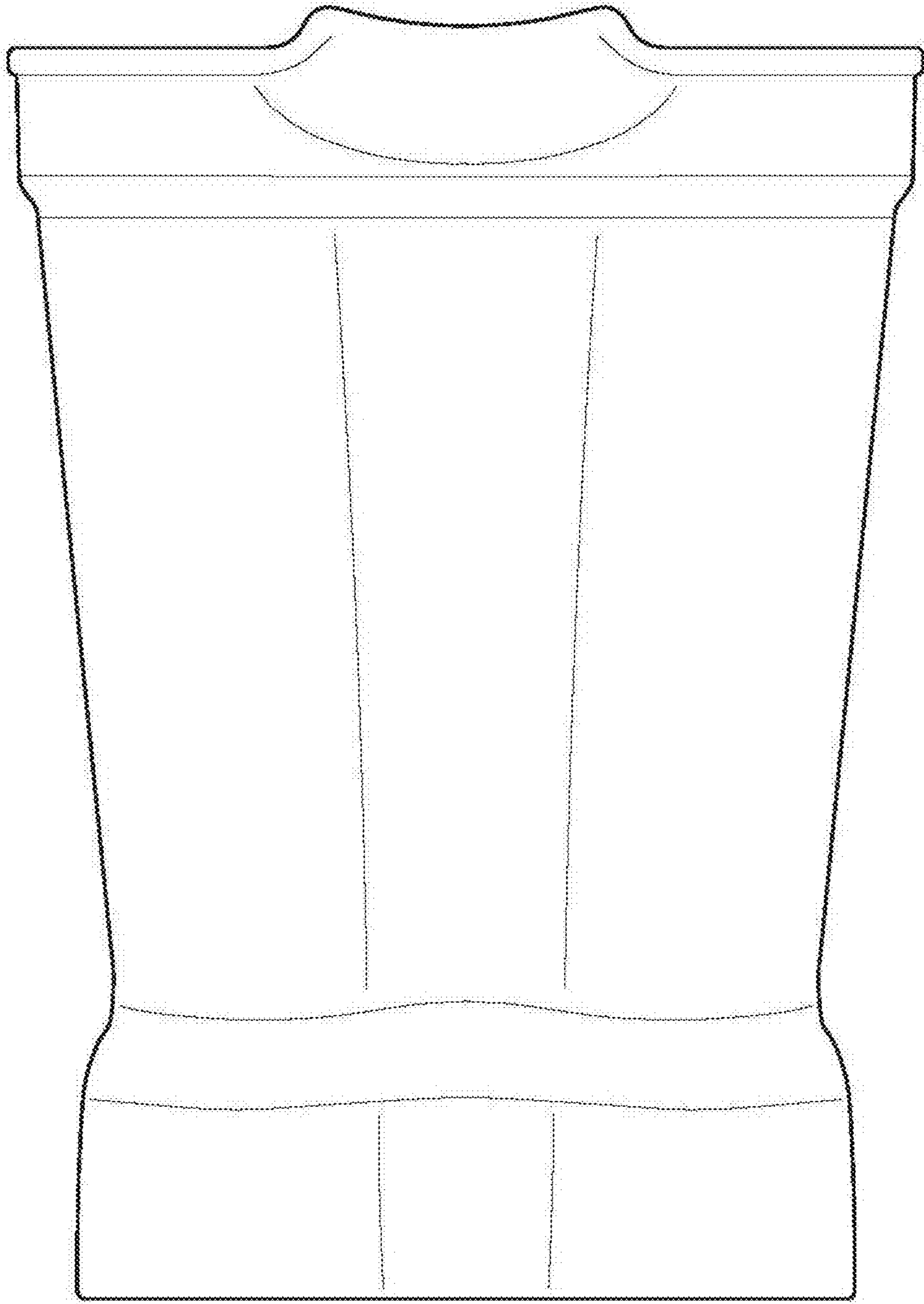


FIG. 7





FIG. 8

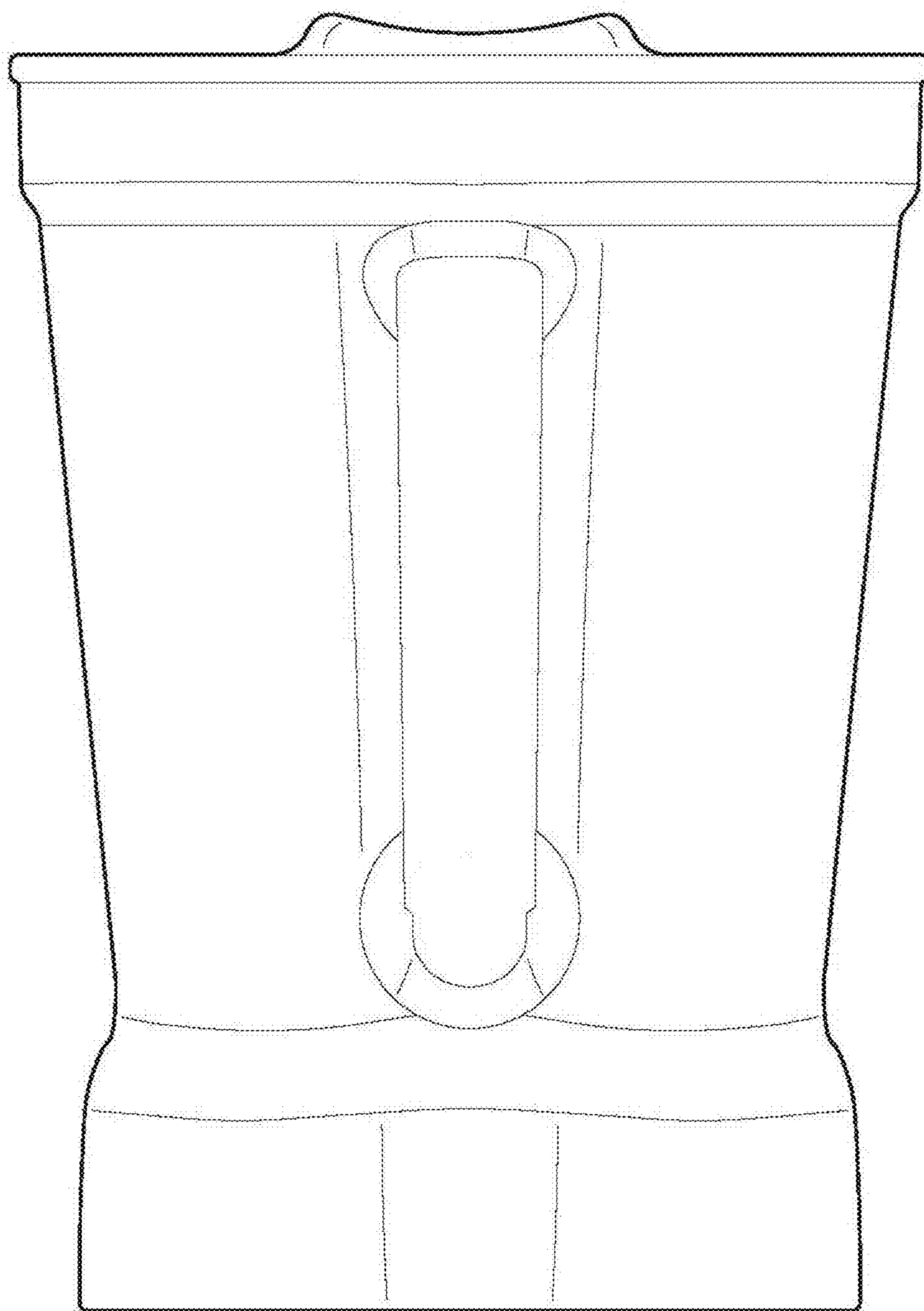


FIG. 9

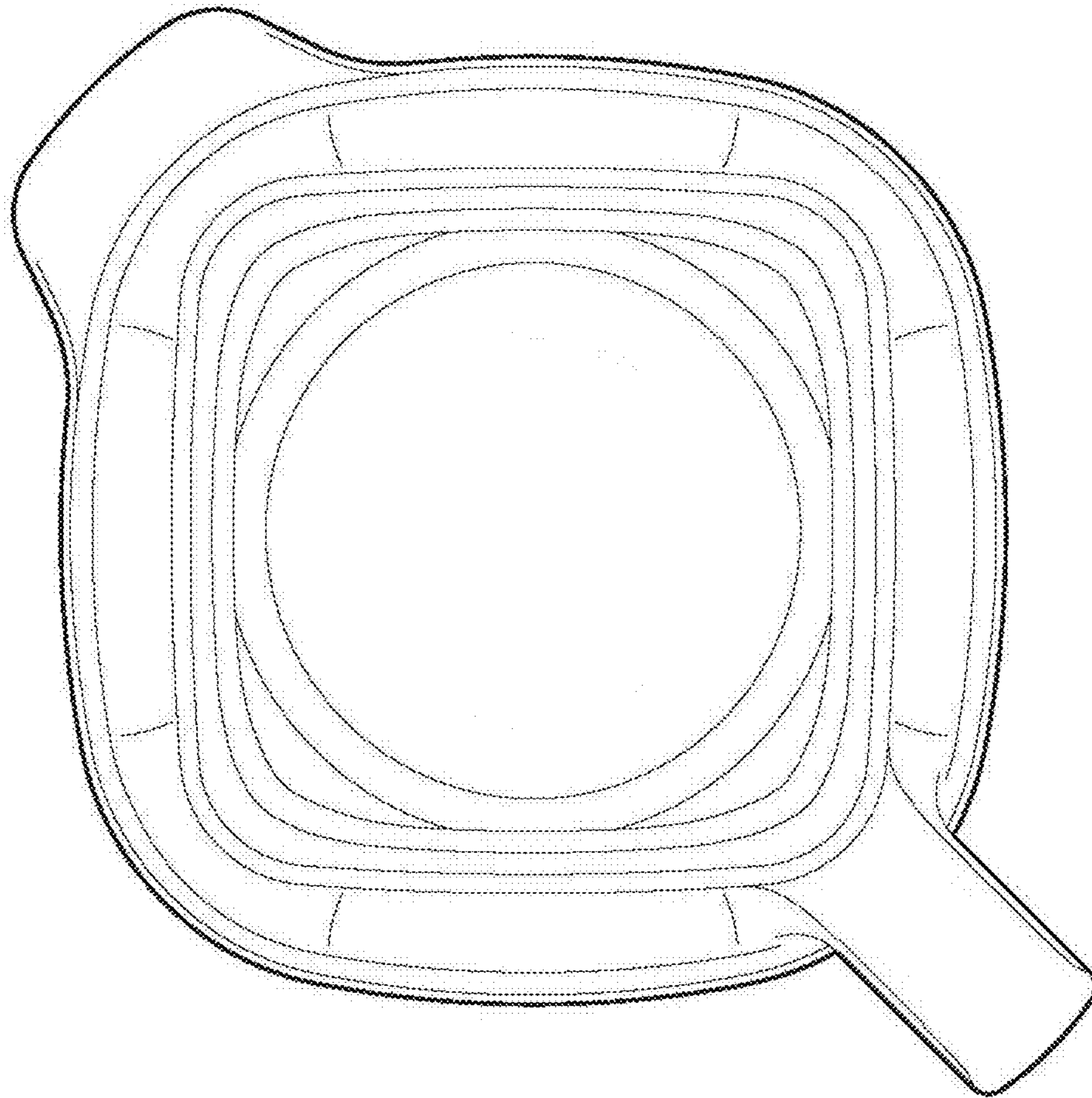


FIG. 10