



US00D905503S

(12) **United States Design Patent**
Contell

(10) **Patent No.: US D905,503 S**

(45) **Date of Patent: ** Dec. 22, 2020**

(54) **TRAY ASSEMBLY FOR ELECTRIC FRUIT JUICERS**

(71) Applicant: **Zummo Innovaciones Mecanicas, S.A.**, Valencia (ES)

(72) Inventor: **Eugenio Contell**, Valencia (ES)

(73) Assignee: **ZUMMO INNOVACIONES MECANICAS, S.A.**, Valencia (ES)

(**) Term: **15 Years**

(21) Appl. No.: **29/735,444**

(22) Filed: **May 21, 2020**

Related U.S. Application Data

(62) Division of application No. 35/506,858, filed on Nov. 26, 2018 (U.S. filing date under 35 U.S.C. 384), and having an international filing date of Nov. 26, 2018.

(51) **LOC (12) Cl.** **07-99**

(52) **U.S. Cl.**
USPC **D7/412**

(58) **Field of Classification Search**
USPC D7/372, 665, 666, 682, 412, 414;
D15/123

CPC .. A23N 1/02; A23N 1/003; A47J 19/02; A47J 19/027; A47J 19/022; A47J 10/022

See application file for complete search history.

(56) **References Cited**

U.S. PATENT DOCUMENTS

9,445,626 B2 * 9/2016 Contell Albert A23N 1/003
10,130,118 B2 * 11/2018 Contell Albert A23N 1/003

* cited by examiner

Primary Examiner — Robert M. Spear

(74) *Attorney, Agent, or Firm* — Lucas & Mercanti, LLP

(57) **CLAIM**

The ornamental design for a tray assembly for electric fruit juicers, as shown and described.

DESCRIPTION

FIG. 1 is a front view of the tray assembly for electric fruit juicers according to the design;

FIG. 2 is a left side thereof;

FIG. 3 is a back view thereof;

FIG. 4 is a right side view thereof;

FIG. 5 is a bottom plan view thereof;

FIG. 6 is a top plan view thereof;

FIG. 7 is a top perspective view thereof;

FIG. 8 is a bottom perspective view thereof;

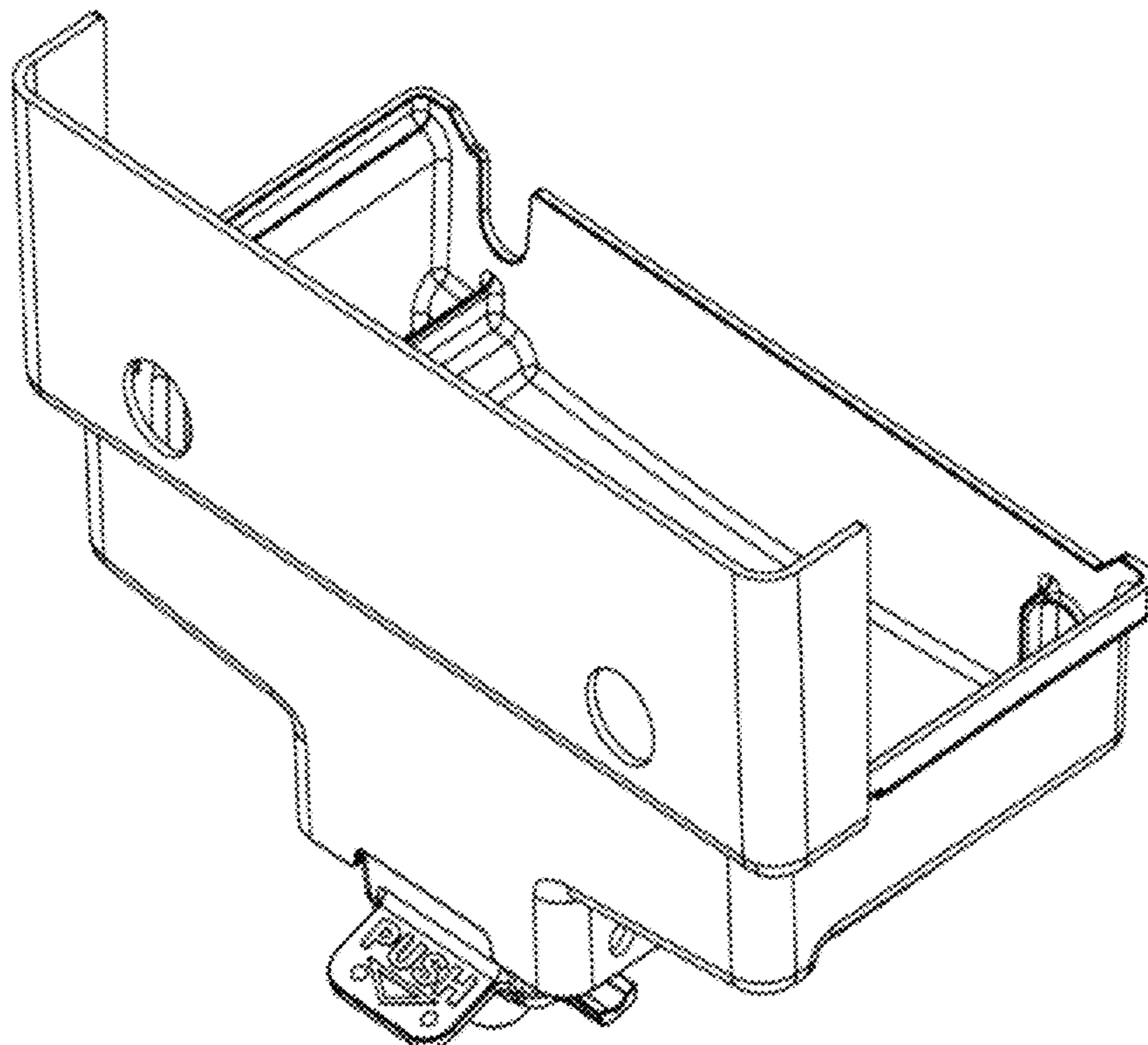
FIG. 9 is a top perspective exploded view with the lower portion removed for clarity of disclosure;

FIG. 10 is a bottom perspective exploded view with the lower portion removed for clarity of disclosure; and,

FIG. 11 is a cross sectional view.

The broken lines in the drawings illustrate portions of the tray assembly for electric fruit juicers that form no part of the claimed design.

1 Claim, 11 Drawing Sheets



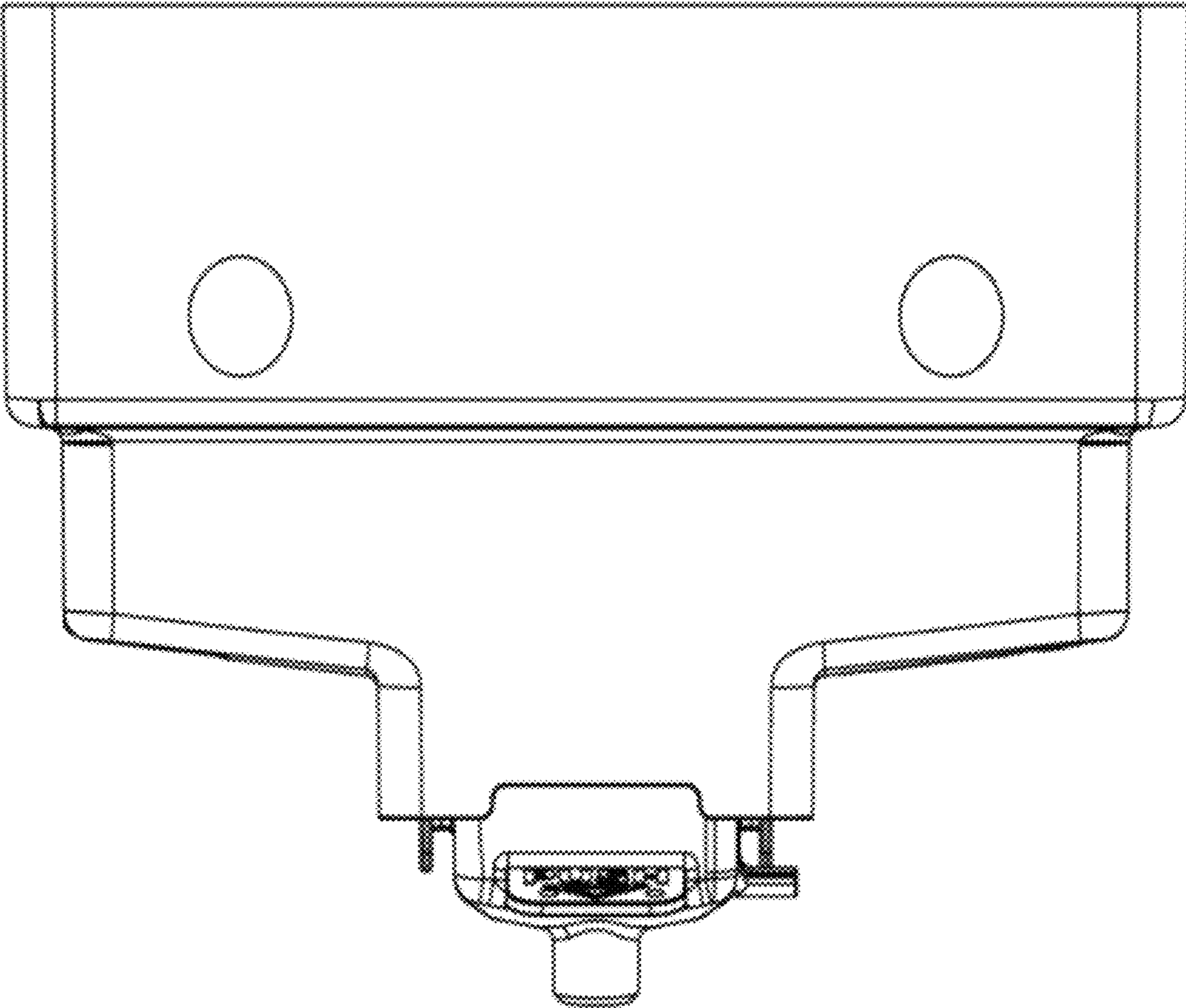


FIG. 1

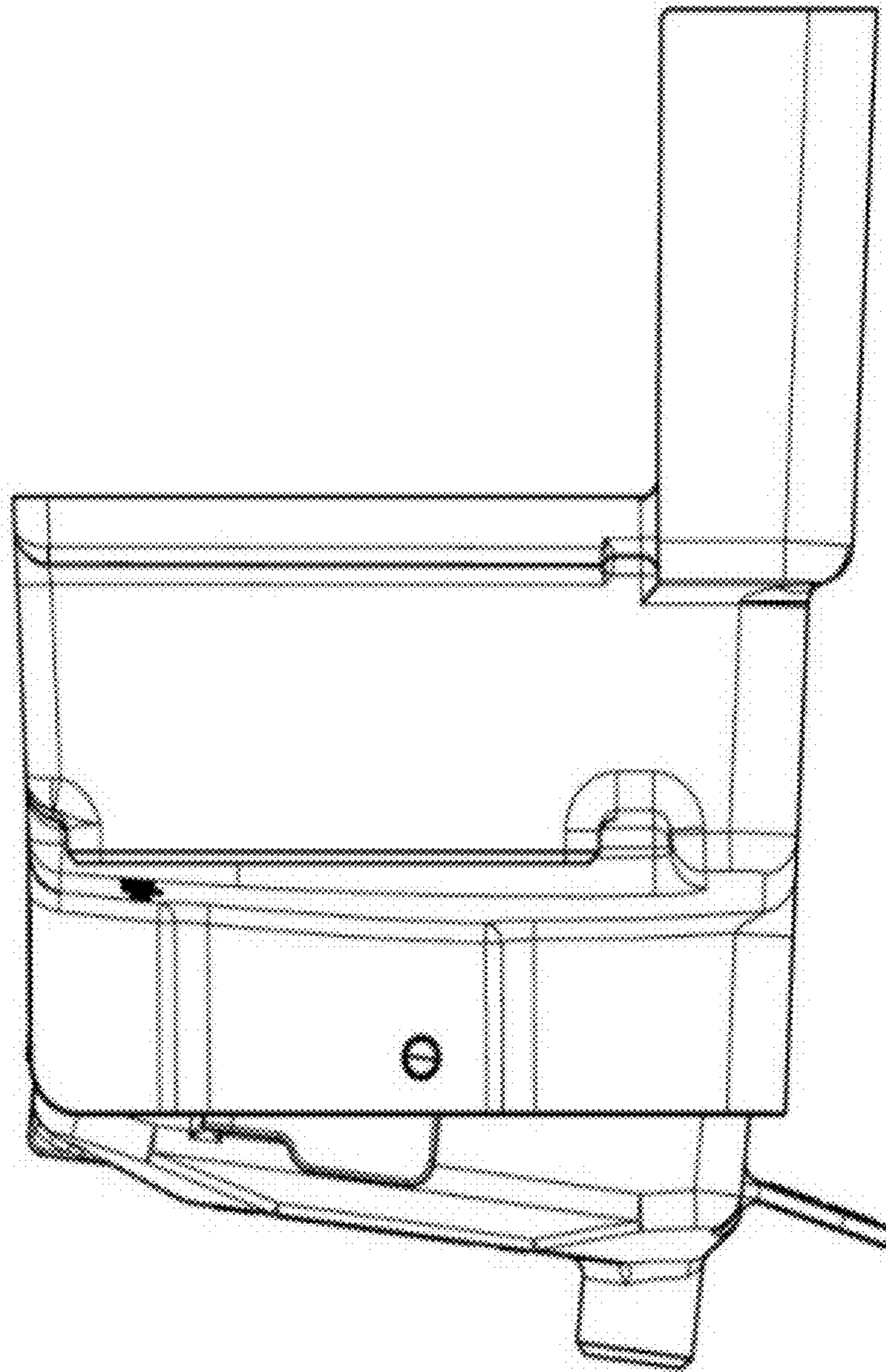


FIG. 2

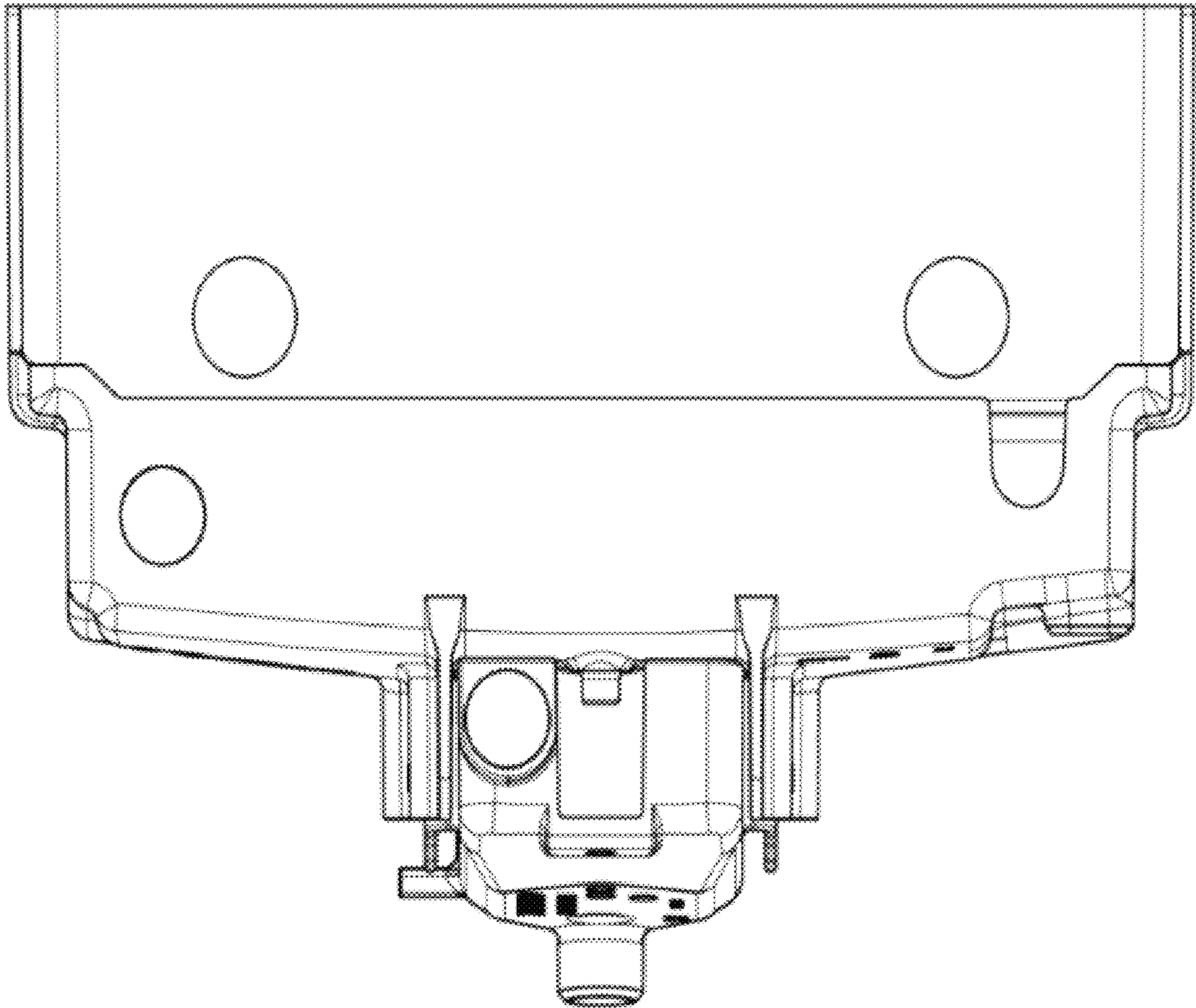


FIG. 3

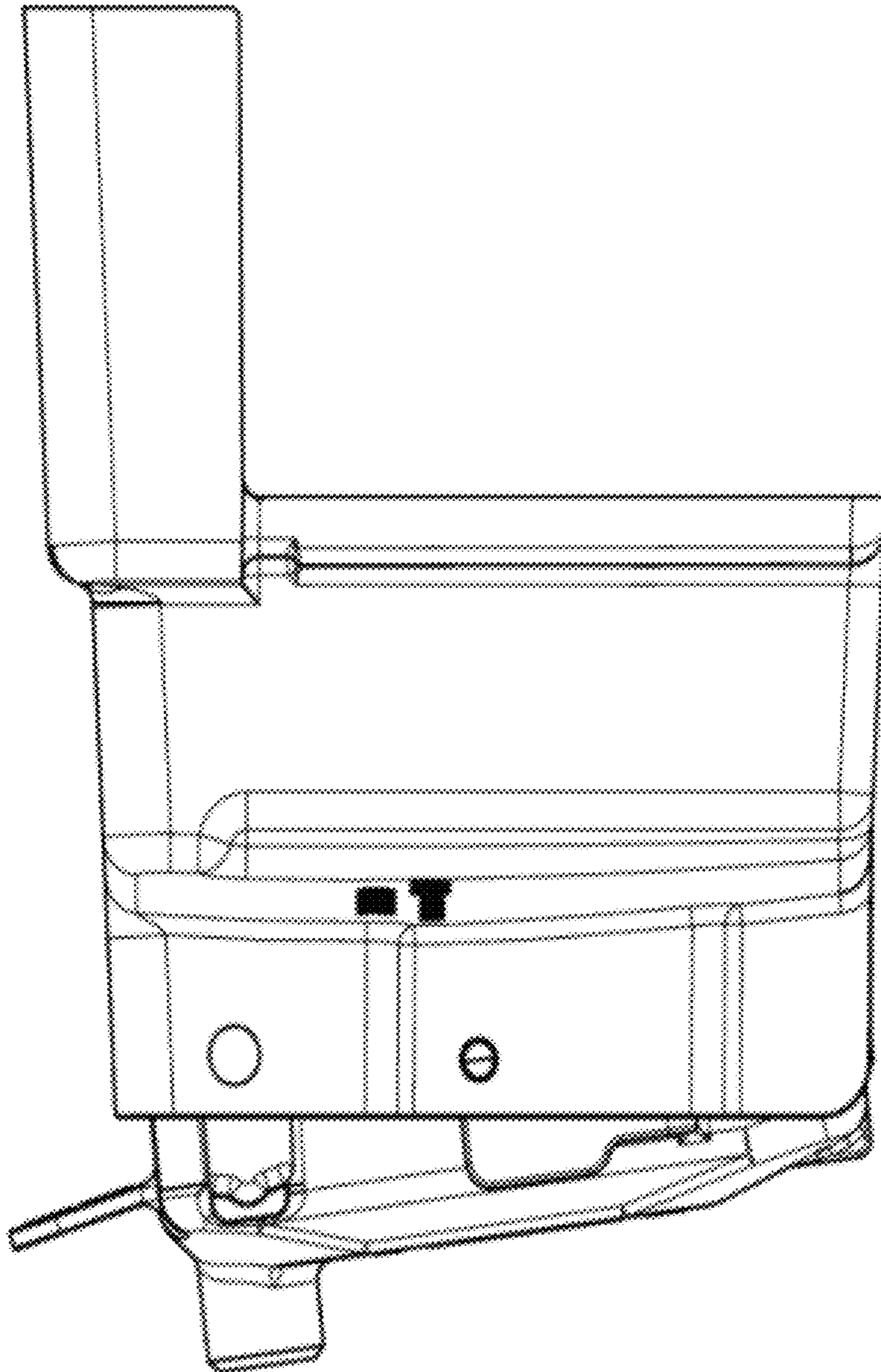


FIG. 4

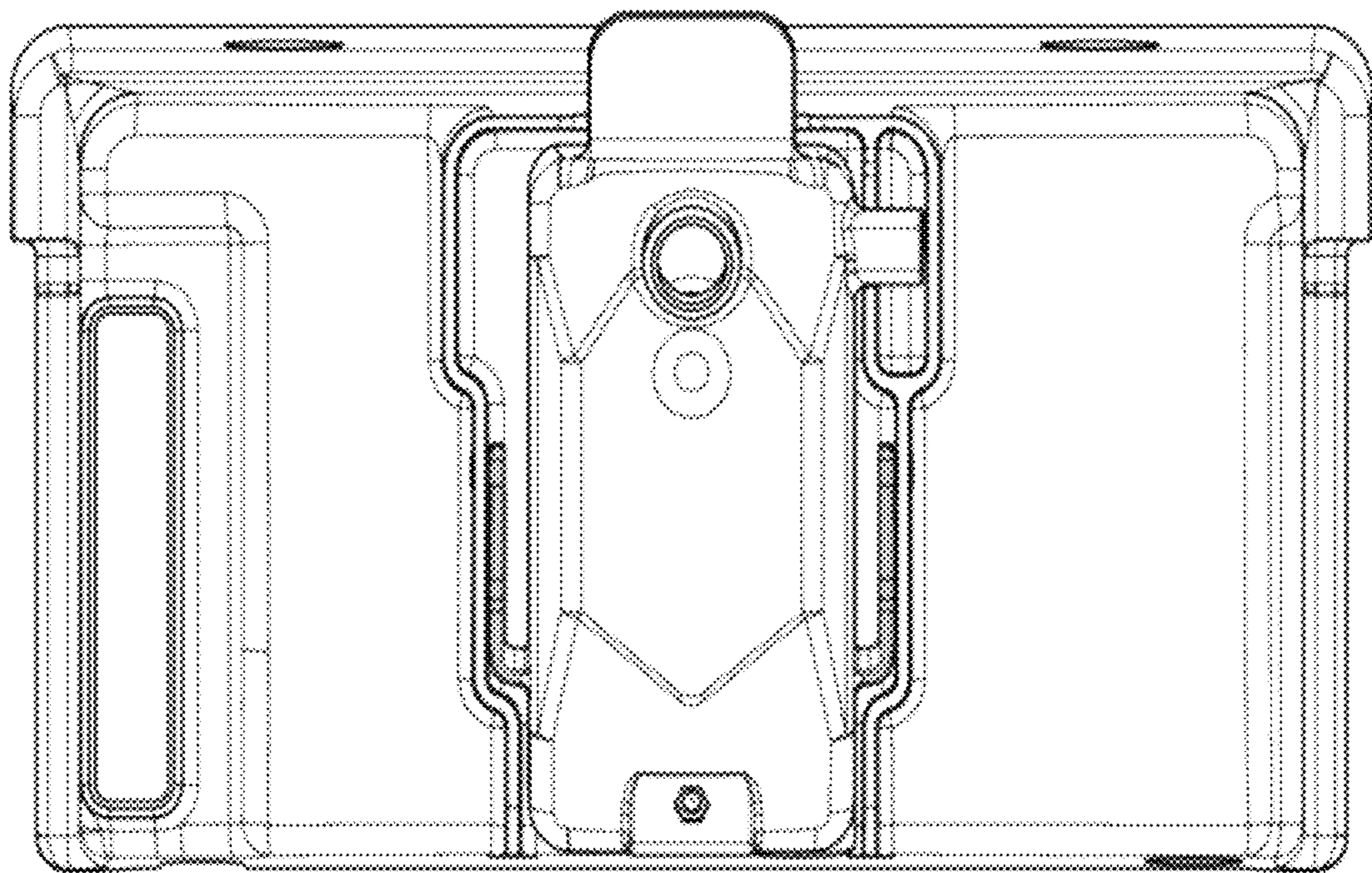


FIG. 5

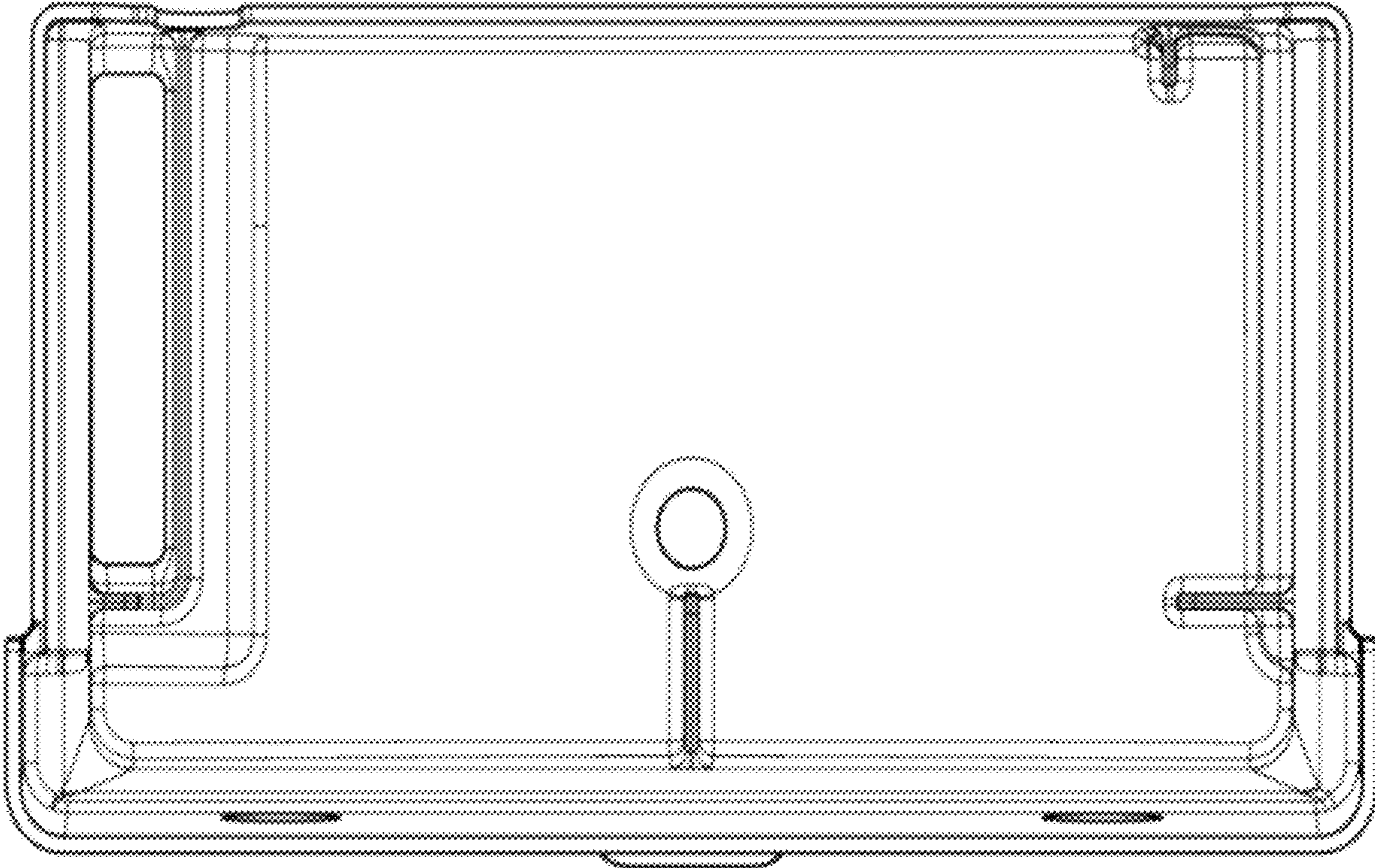


FIG. 6

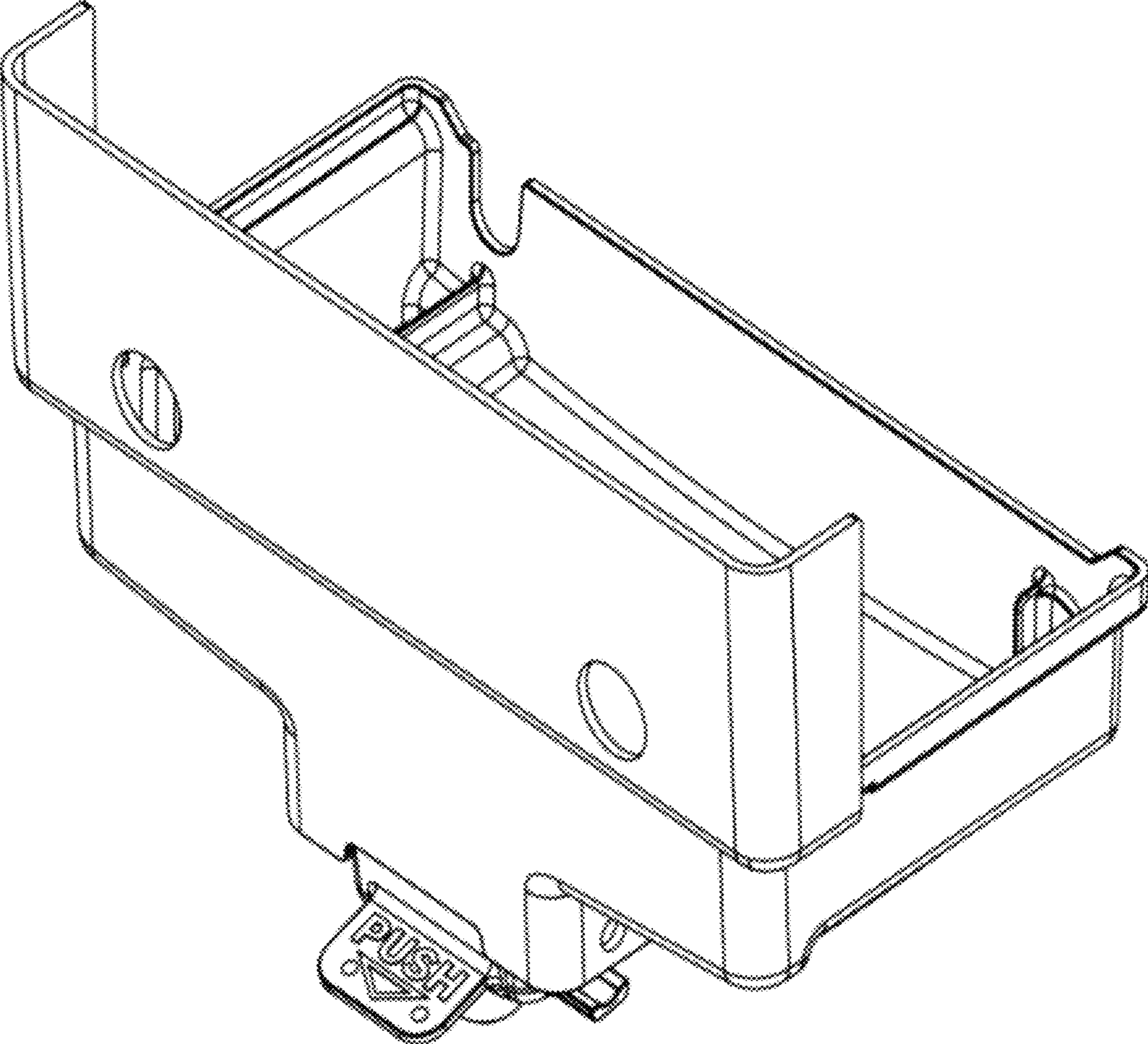


FIG. 7

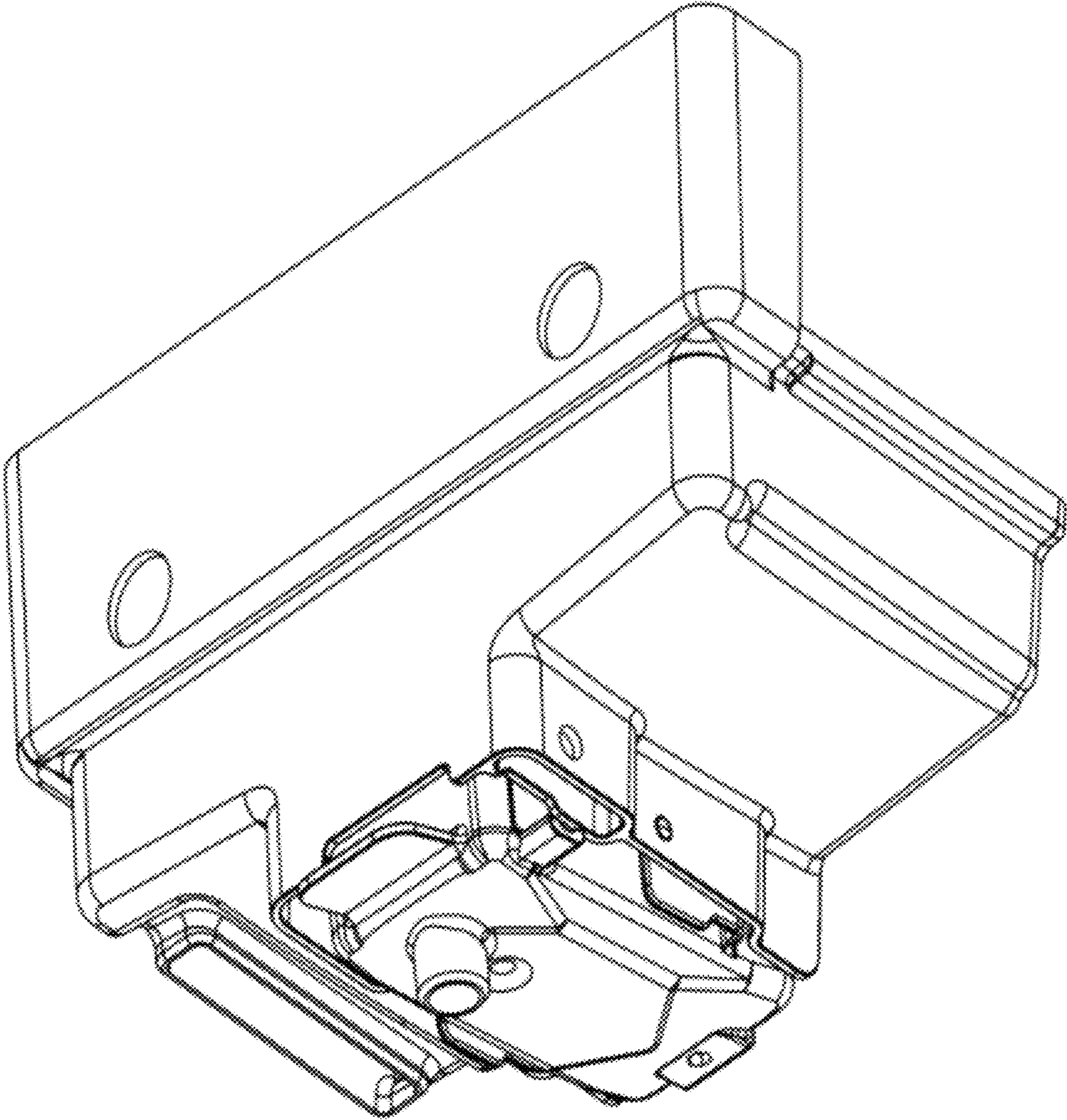


FIG. 8

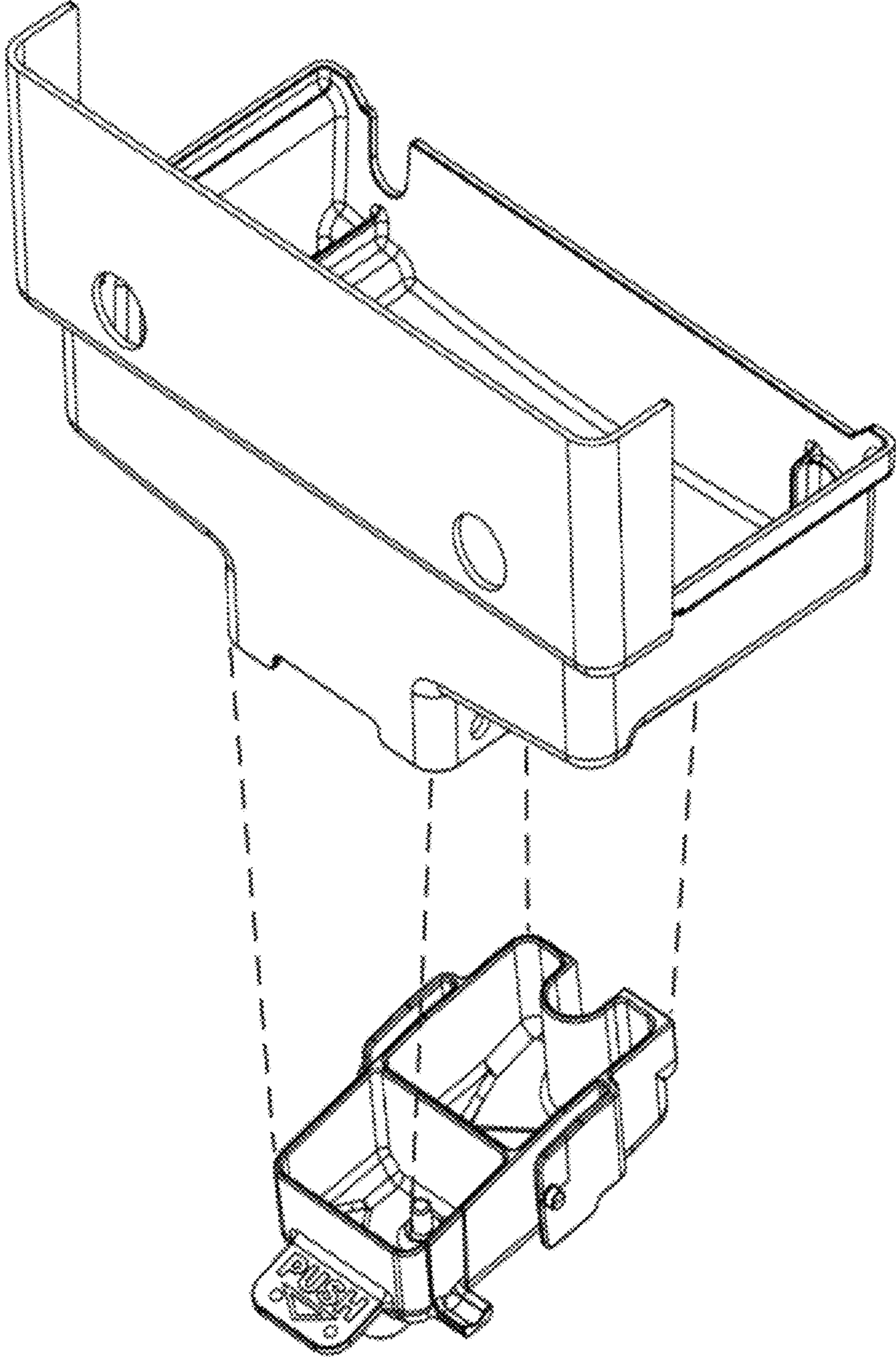


FIG. 9

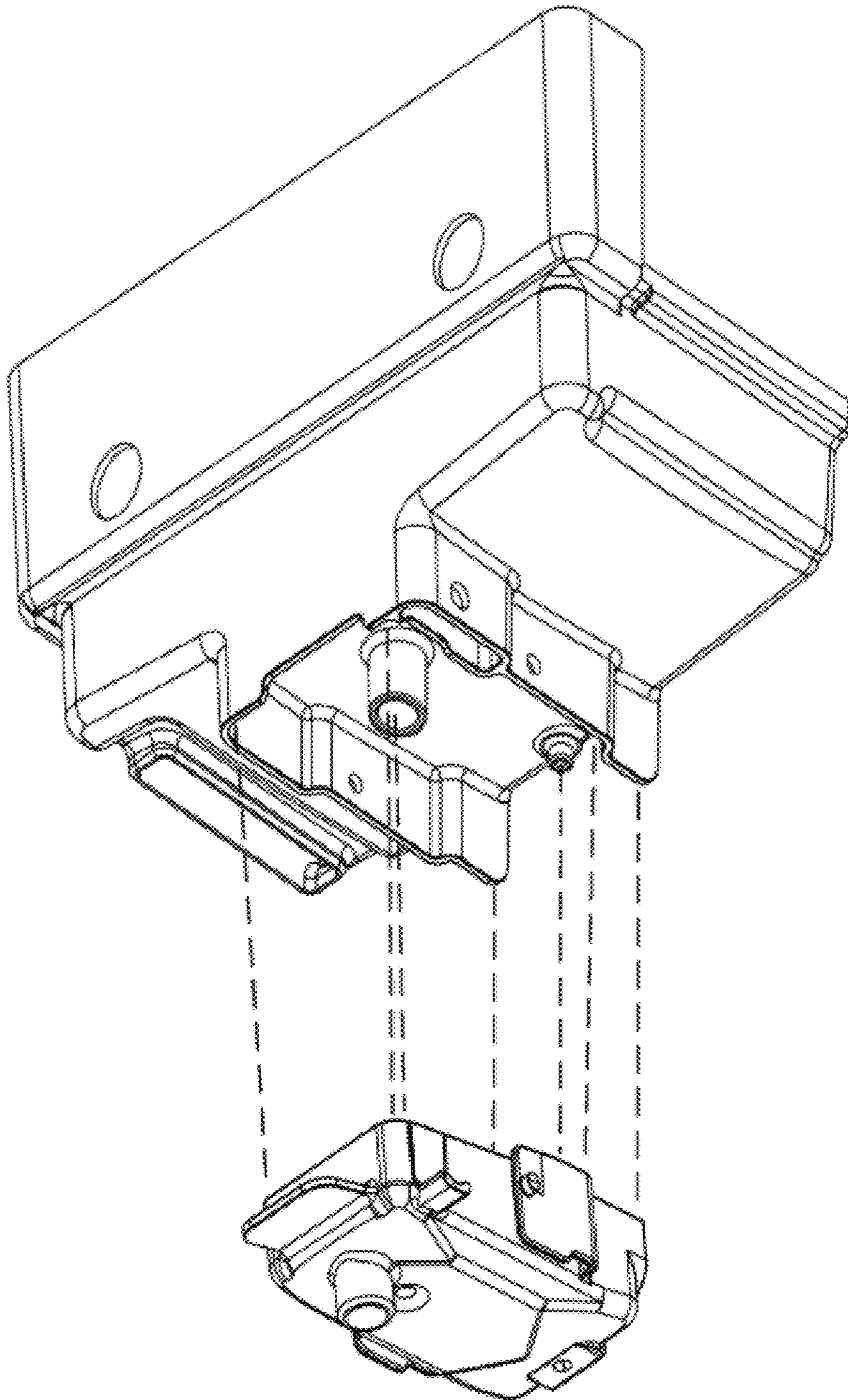


FIG. 10

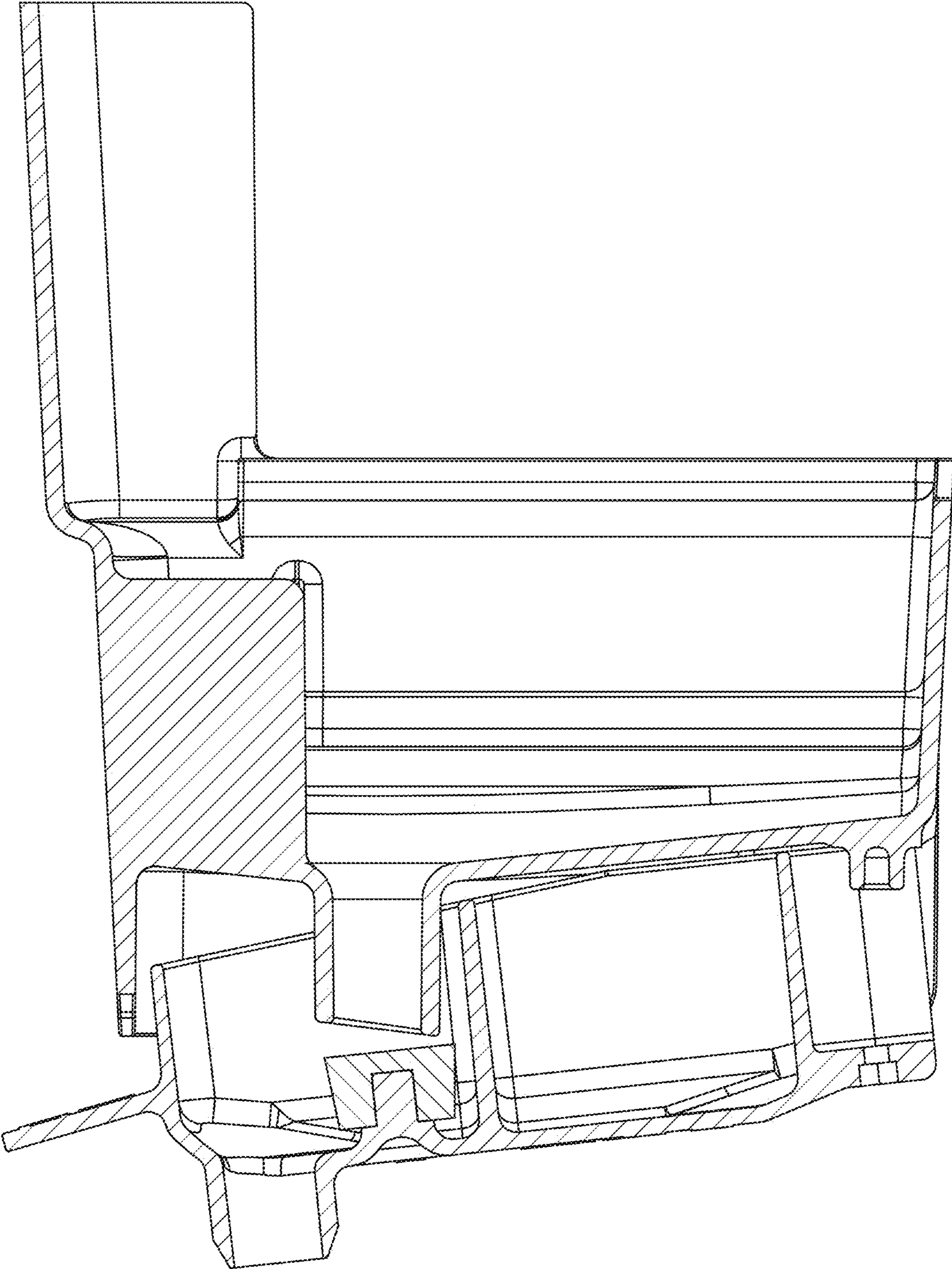


FIG. 11