



US00D905501S

(12) **United States Design Patent** (10) **Patent No.:** **US D905,501 S**  
**Hanks et al.** (45) **Date of Patent:** **\*\* Dec. 22, 2020**

(54) **COOKING UTENSIL HANDLE**  
(71) Applicant: **North Atlantic Imports, LLC**, Logan, UT (US)  
(72) Inventors: **Christopher L. Hanks**, Logan, UT (US); **Steve L. Puertas**, Wellsville, UT (US)  
(73) Assignee: **North Atlantic Imports, LLC**, Logan, UT (US)

(\*\*) Term: **15 Years**

(21) Appl. No.: **29/693,338**

(22) Filed: **May 31, 2019**

(51) **LOC (12) Cl.** ..... **07-03**

(52) **U.S. Cl.**  
USPC ..... **D7/401.2**

(58) **Field of Classification Search**  
USPC ..... D7/368, 401.2, 642-645, 653-664, 669, D7/675-677, 681, 683, 688-689, D7/691-692; D8/27, 107, 300-301; D22/117-118

CPC ... A01D 9/02; A01D 9/04; A01D 9/06; A47G 21/00; A47G 21/004; A47G 21/005; A47G 21/02; A47G 21/023; A47G 21/04; A47G 21/06; A47G 21/08; A47J 43/28; A47J 43/281; A47J 43/282; A61F 13/10; A61J 7/0023; B25G 1/00; B25G 1/01; B25G 1/02; B25G 3/00; B65D 75/56; B65D 75/563; B65D 75/566; B67B 7/00; B67B 7/724; B67B 7/73

See application file for complete search history.

(56) **References Cited**

**U.S. PATENT DOCUMENTS**

2,961,766 A 11/1960 Maynard  
2,994,553 A 8/1961 Banton  
3,356,405 A 12/1967 Gruber

4,711,029 A 12/1987 Somerset  
D459,638 S \* 7/2002 Wang ..... D7/692  
6,598,297 B1 7/2003 Matt  
D499,938 S \* 12/2004 McMullin ..... D7/645  
D520,310 S \* 5/2006 Hsien ..... D8/27  
D532,275 S \* 11/2006 Lin ..... D8/107  
D689,356 S \* 9/2013 Yang ..... D8/107  
D741,668 S \* 10/2015 Hundley ..... D7/681  
D760,039 S 6/2016 Malik  
9,854,946 B1 1/2018 Gulik  
D823,090 S \* 7/2018 Ruha ..... D8/107  
2004/0026939 A1 2/2004 Jordan et al.  
2012/0297548 A1 11/2012 Solari

\* cited by examiner

*Primary Examiner* — Ricky Pham

(74) *Attorney, Agent, or Firm* — David L. Stott

(57) **CLAIM**

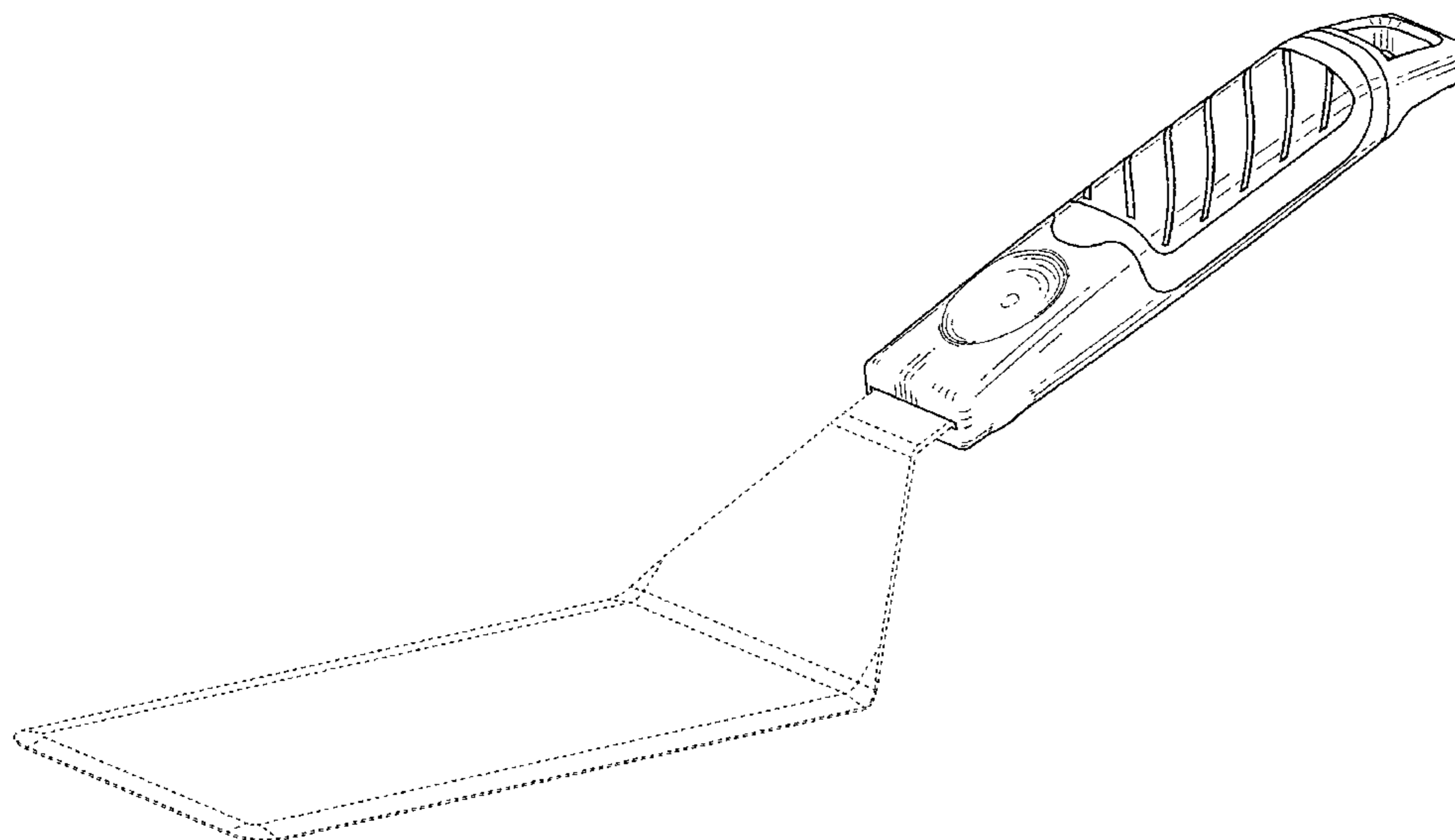
The ornamental design for a cooking utensil handle, as shown and described.

**DESCRIPTION**

FIG. 1 is an isometric front view of an embodiment of a cooking utensil handle;  
FIG. 2 is a front view of the cooking utensil handle of FIG. 1;  
FIG. 3 is a rear view of the cooking utensil handle of FIG. 1;  
FIG. 4 is a left-side view of the cooking utensil handle of FIG. 1;  
FIG. 5 is a right-side view of the cooking utensil handle of FIG. 1;  
FIG. 6 is a top view of the cooking utensil handle of FIG. 1; and,  
FIG. 7 is a bottom view of the cooking utensil handle of FIG. 1.

The broken lines in the drawings represent portions of the cooking utensil handle that form no part of the claimed design.

**1 Claim, 4 Drawing Sheets**



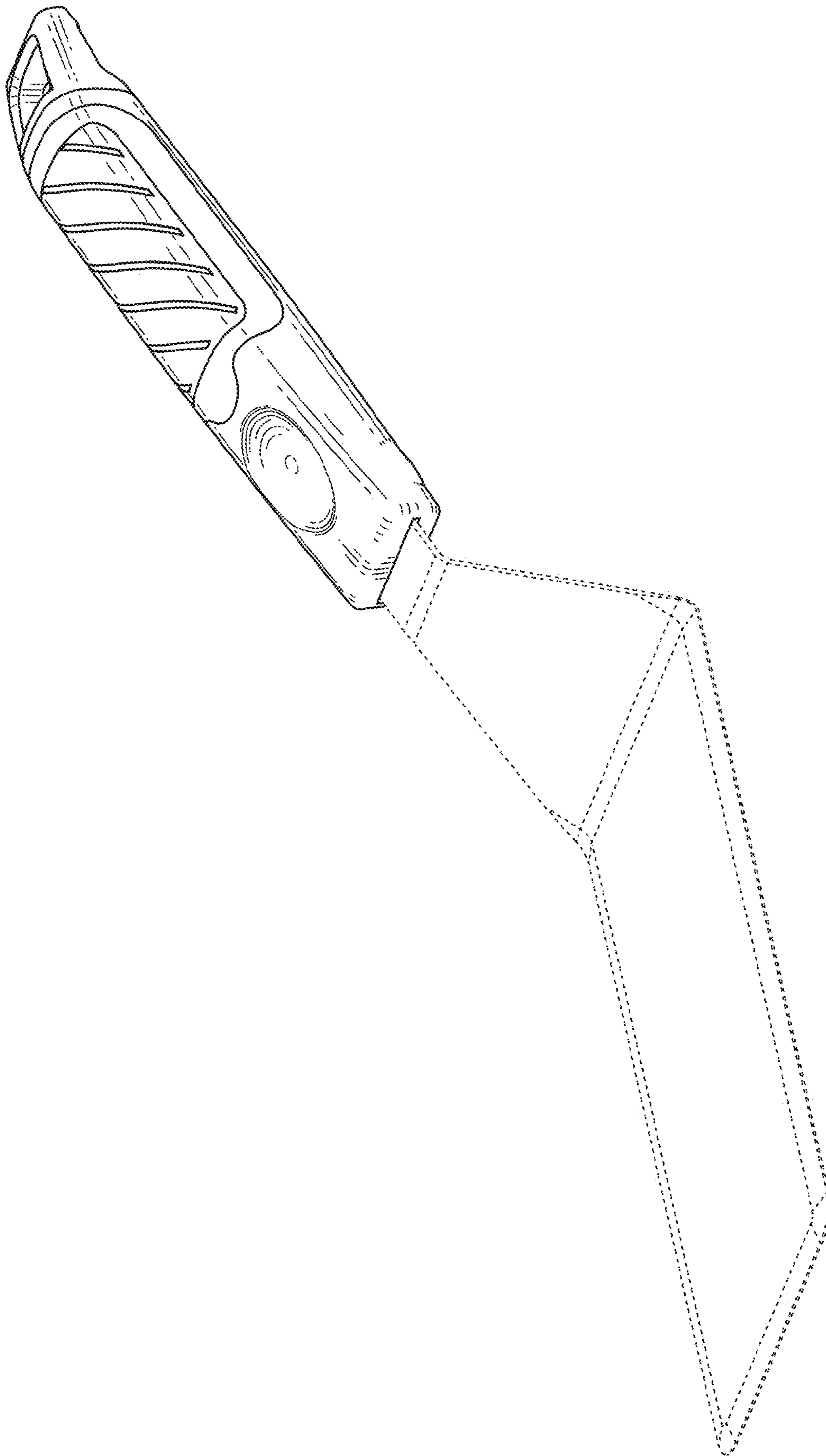


FIG. 1

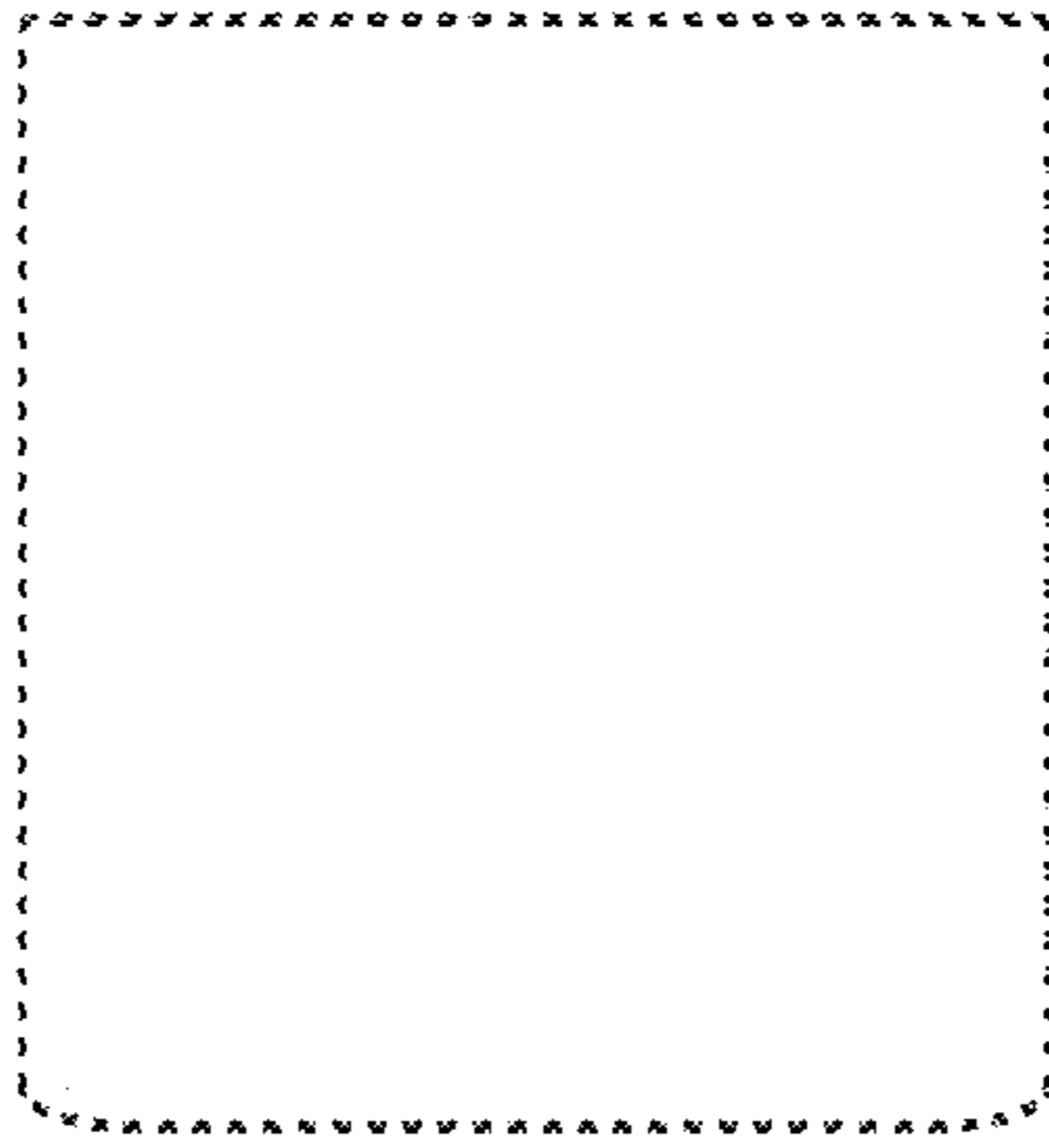


FIG. 2

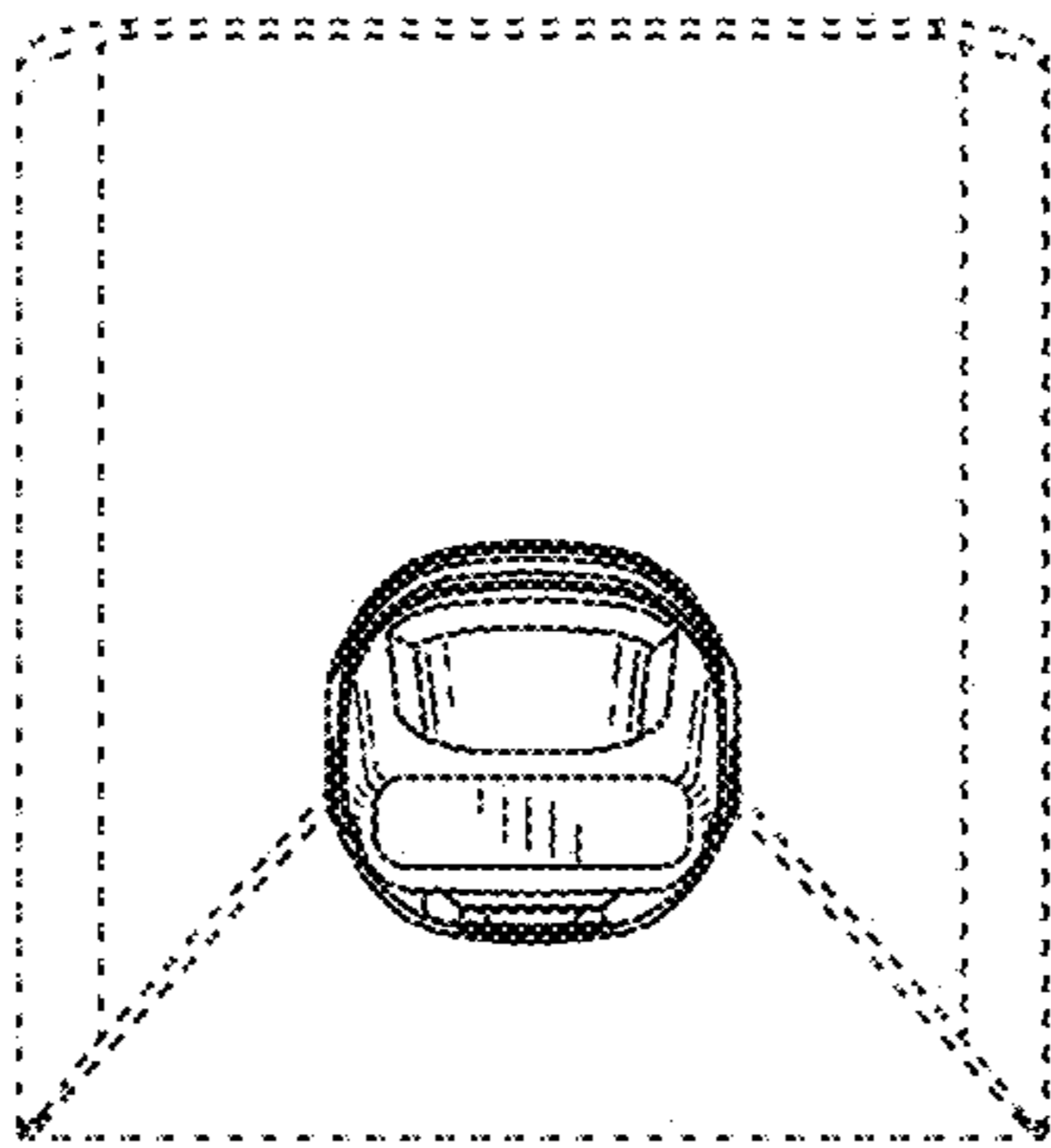


FIG. 3

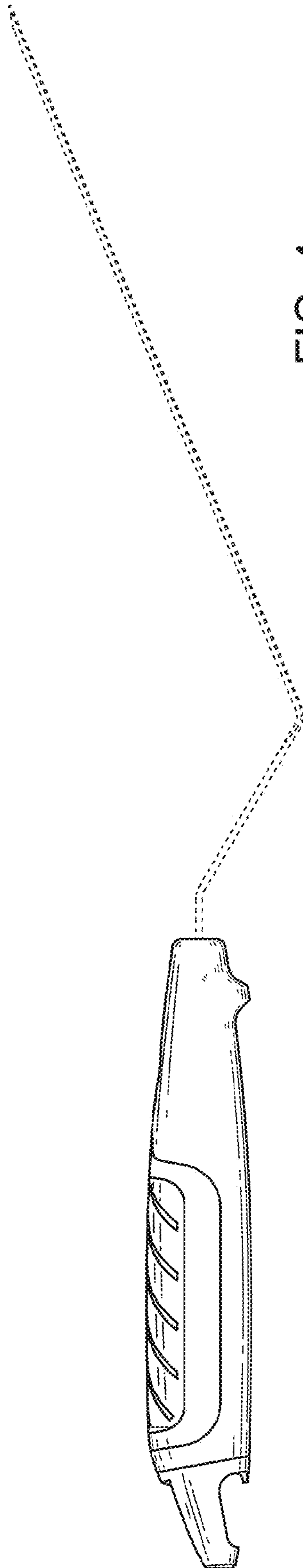


FIG. 4

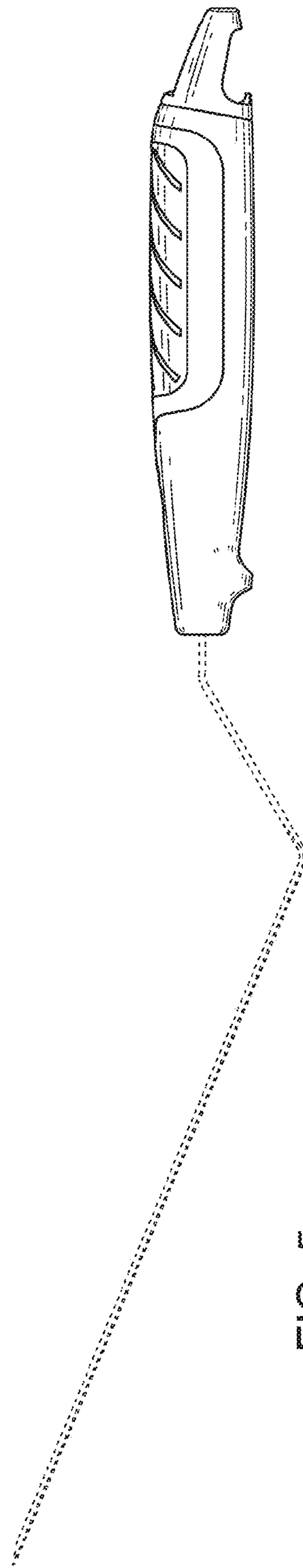


FIG. 5

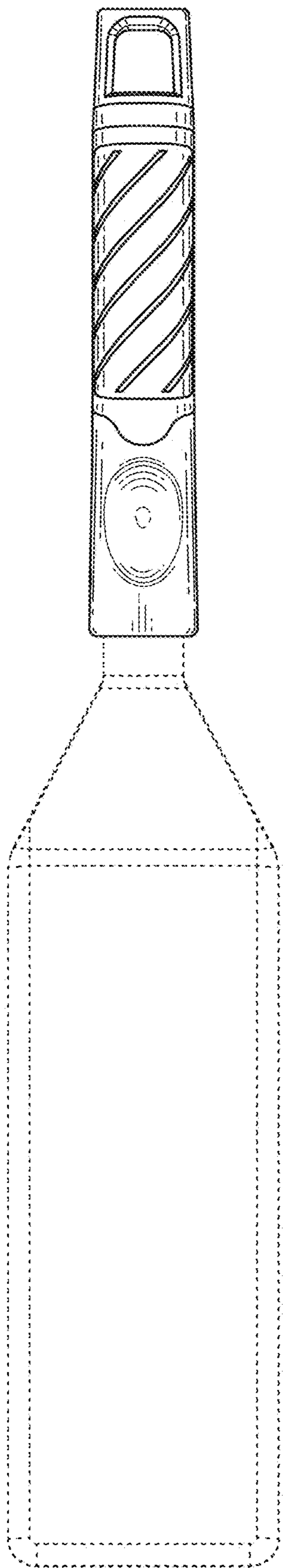


FIG. 6

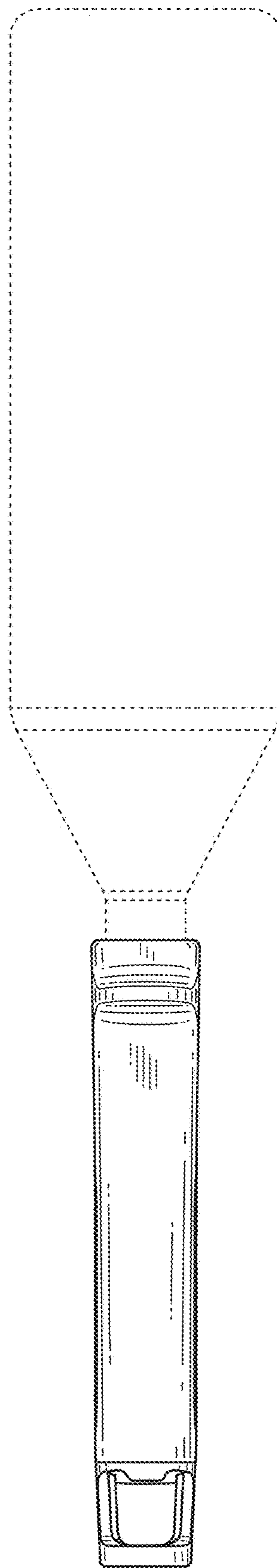


FIG. 7