



US00D905499S

(12) **United States Design Patent**  
**Zhang**

(10) **Patent No.:** **US D905,499 S**

(45) **Date of Patent:** **\*\* Dec. 22, 2020**

(54) **LID WITH FLIP-TOP, STRAW, AND FLEXIBLE HANDLE**

(71) Applicant: **Yongkang Qiqing Industry and Trade Co., Ltd.**, Jinhua (CN)

(72) Inventor: **Bo Zhang**, Gongxian (CN)

(\*\*) Term: **15 Years**

(21) Appl. No.: **29/730,875**

(22) Filed: **Apr. 9, 2020**

(51) **LOC (12) Cl.** ..... **07-99**

(52) **U.S. Cl.**  
USPC ..... **D7/392.1**; D7/396.2; D9/443; D9/450

(58) **Field of Classification Search**  
USPC ..... D9/434, 435, 438-441, 443-454, 499, D9/503-505, 682, 685, 686; D7/300.1, D7/387, 391, 392, 392.1, 393, 394, 396.1, D7/396.2, 506, 507, 510, 511, 533, 534, D7/900; D3/202, 203.2, 294, 318; D28/91, 91.1  
CPC .. A61J 1/00; A61J 1/1412; B65D 1/00; B65D 1/02; B65D 1/10; B65D 1/46; B65D 5/46; B65D 41/00; B65D 41/38; B65D 41/56; B65D 41/62; B65D 47/00; B65D 47/06; B65D 47/08; B65D 2251/00; B65D 2543/00046; B65D 2543/00092; B65D 2543/00296

See application file for complete search history.

(56) **References Cited**

**U.S. PATENT DOCUMENTS**

D165,653 S \* 1/1952 Johnson ..... D9/443  
D565,408 S 4/2008 Kick  
D647,532 S 10/2011 Busch  
D649,879 S \* 12/2011 Gullickson ..... D9/443  
D652,256 S \* 1/2012 Eyal ..... D7/510  
D682,034 S \* 5/2013 El-Saden ..... D7/510

D688,093 S \* 8/2013 Roth ..... D9/447  
D700,014 S \* 2/2014 Zeanah ..... D7/510  
D704,986 S \* 5/2014 Manies ..... D7/392.1  
D720,218 S 12/2014 Hutson et al.  
D721,250 S \* 1/2015 Chen ..... D7/510  
D768,491 S \* 10/2016 Sorensen ..... D9/449  
D781,654 S \* 3/2017 Marquard ..... D7/510  
D793,154 S \* 8/2017 Sorensen ..... D7/392.1  
D799,320 S \* 10/2017 Goodwin ..... D9/450

(Continued)

*Primary Examiner* — Michael A. Pratt

*Assistant Examiner* — Wendy L Arminio

(74) *Attorney, Agent, or Firm* — KA Filing LLC; Cynthia W. Flanigan

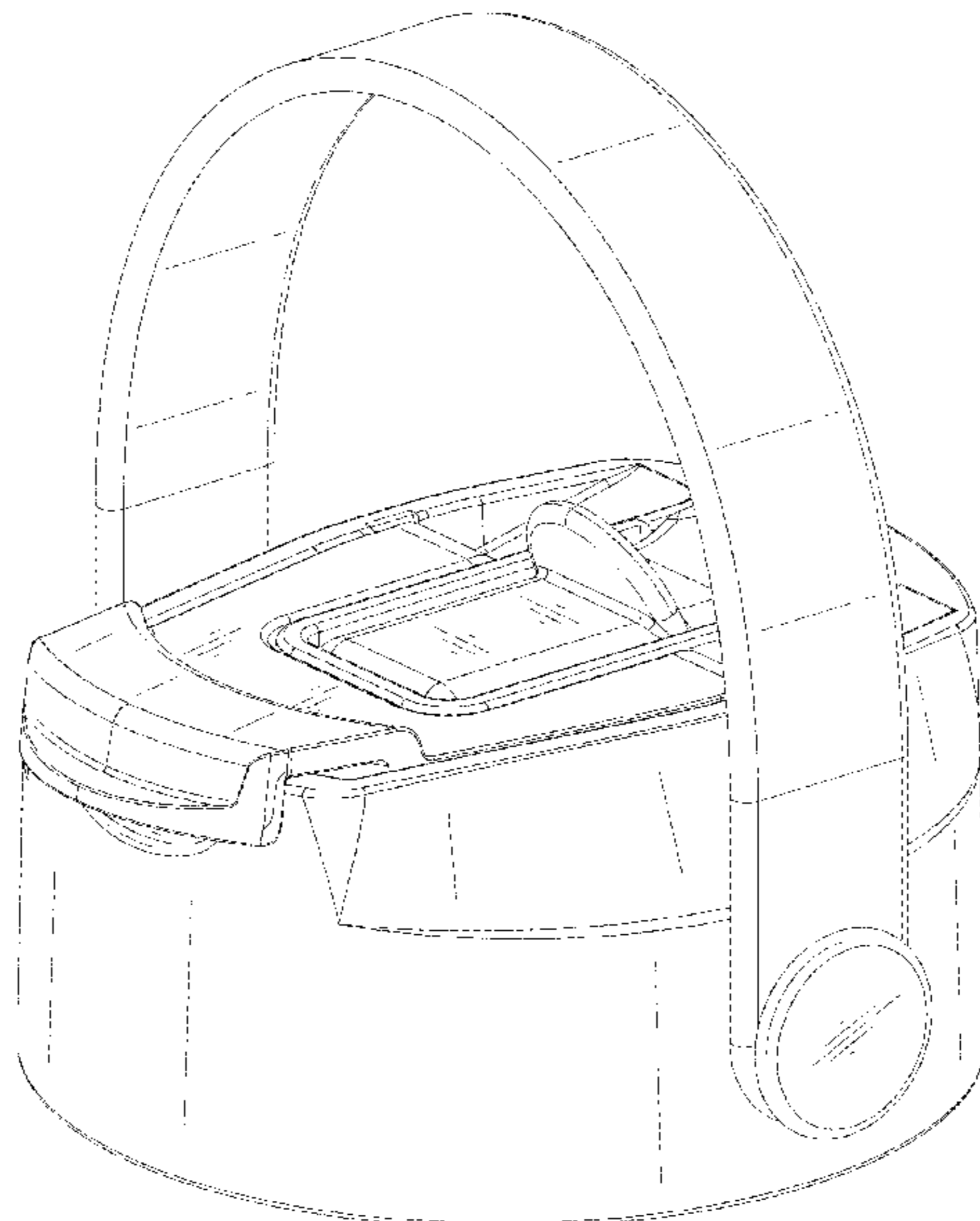
(57) **CLAIM**

I claim the ornamental design for a lid with flip-top, straw, and flexible handle, as shown and described.

**DESCRIPTION**

FIG. 1 is a perspective view of a lid with flip-top, straw, and flexible handle showing my new design;  
FIG. 2 is a front view thereof;  
FIG. 3 is a back view thereof;  
FIG. 4 is a left side view thereof. The right side being a mirror image of the left side.  
FIG. 5 is a top view thereof;  
FIG. 6 is a bottom view thereof;  
FIG. 7 is another perspective view of the lid with flip-top, straw, and flexible handle of FIG. 1 shown with the straw feature in an open position and the handle feature in an alternative configuration; and,  
FIG. 8 is yet another perspective view of the lid with flip-top, straw, and flexible handle of FIG. 1 shown with both the flip-top and straw features in an open position and the handle feature in an alternative configuration.  
The broken lines depict portions of the lid with flip-top, straw, and flexible handle that form no part of the claimed design.

**1 Claim, 8 Drawing Sheets**



(56)

References Cited

U.S. PATENT DOCUMENTS

D801,173 S \* 10/2017 Lown ..... D9/443  
 D804,903 S \* 12/2017 Mason ..... D7/510  
 D806,468 S \* 1/2018 Goodwin ..... D7/392.1  
 D807,692 S 1/2018 Yao  
 D810,500 S \* 2/2018 Maple ..... D7/392.1  
 D811,162 S \* 2/2018 Rane ..... D7/396.2  
 D812,966 S \* 3/2018 Murosky ..... D9/443  
 D814,236 S \* 4/2018 Rolfson ..... D7/392.1  
 D818,317 S \* 5/2018 Fu ..... D7/510  
 D820,637 S \* 6/2018 Davis ..... D7/392.1  
 D835,938 S \* 12/2018 Zou ..... D7/392.1  
 D844,376 S \* 4/2019 Rosette ..... D7/392  
 D853,181 S \* 7/2019 Stanton ..... D7/392.1  
 D855,388 S \* 8/2019 Potter ..... D7/392  
 D857,445 S \* 8/2019 Keung ..... D7/392.1  
 D862,985 S \* 10/2019 Backs ..... D7/511  
 D865,441 S \* 11/2019 Lowette ..... D7/392  
 D868,534 S \* 12/2019 Lin ..... D7/392.1  
 D870,508 S \* 12/2019 Palkon ..... D7/392.1  
 D870,509 S \* 12/2019 Bo ..... D7/392.1  
 D871,132 S \* 12/2019 Yao ..... D7/392.1  
 D871,144 S 12/2019 Zhang  
 D872,522 S \* 1/2020 Diener ..... D7/392.1  
 D872,524 S \* 1/2020 Bo ..... D9/439  
 D875,466 S \* 2/2020 Diener ..... D7/396.2  
 D880,941 S \* 4/2020 Silsby ..... D7/510  
 D881,642 S \* 4/2020 Zhang ..... D7/392.1  
 2009/0026218 A1 \* 1/2009 Wong ..... B65D 47/2043  
 220/713  
 2015/0173539 A1 \* 6/2015 Mason ..... B65D 47/063  
 220/707

\* cited by examiner

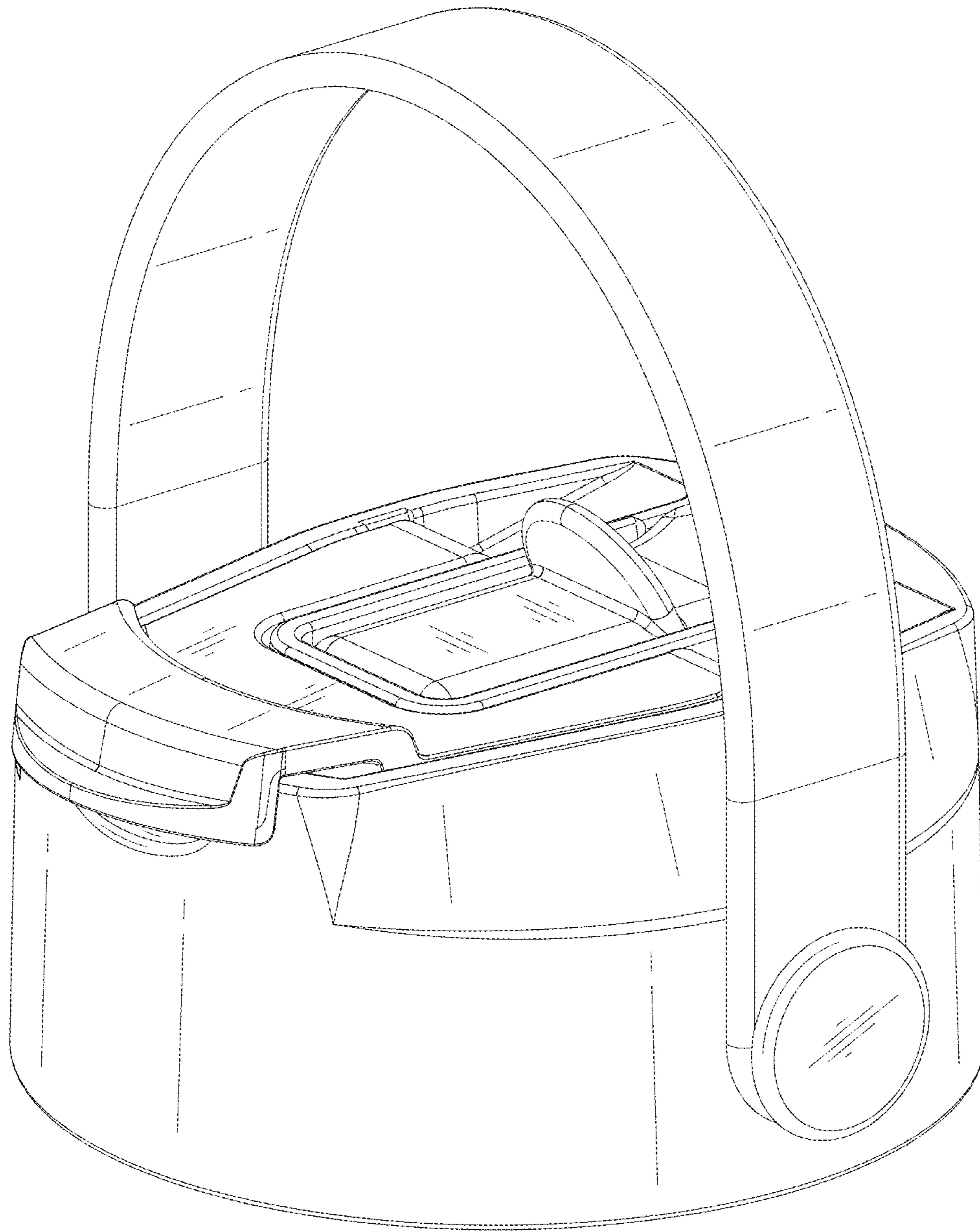


FIG. 1

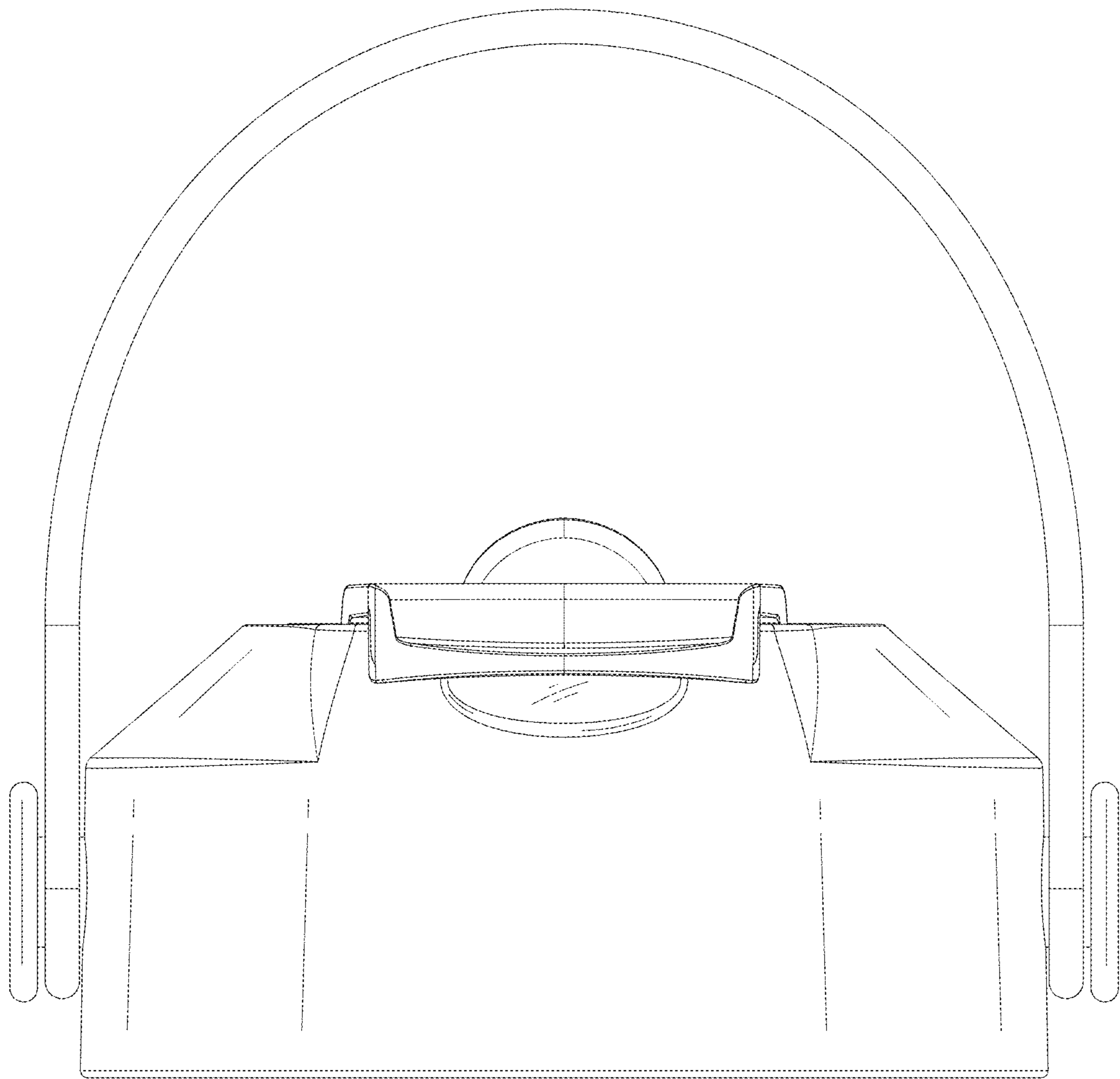


FIG. 2

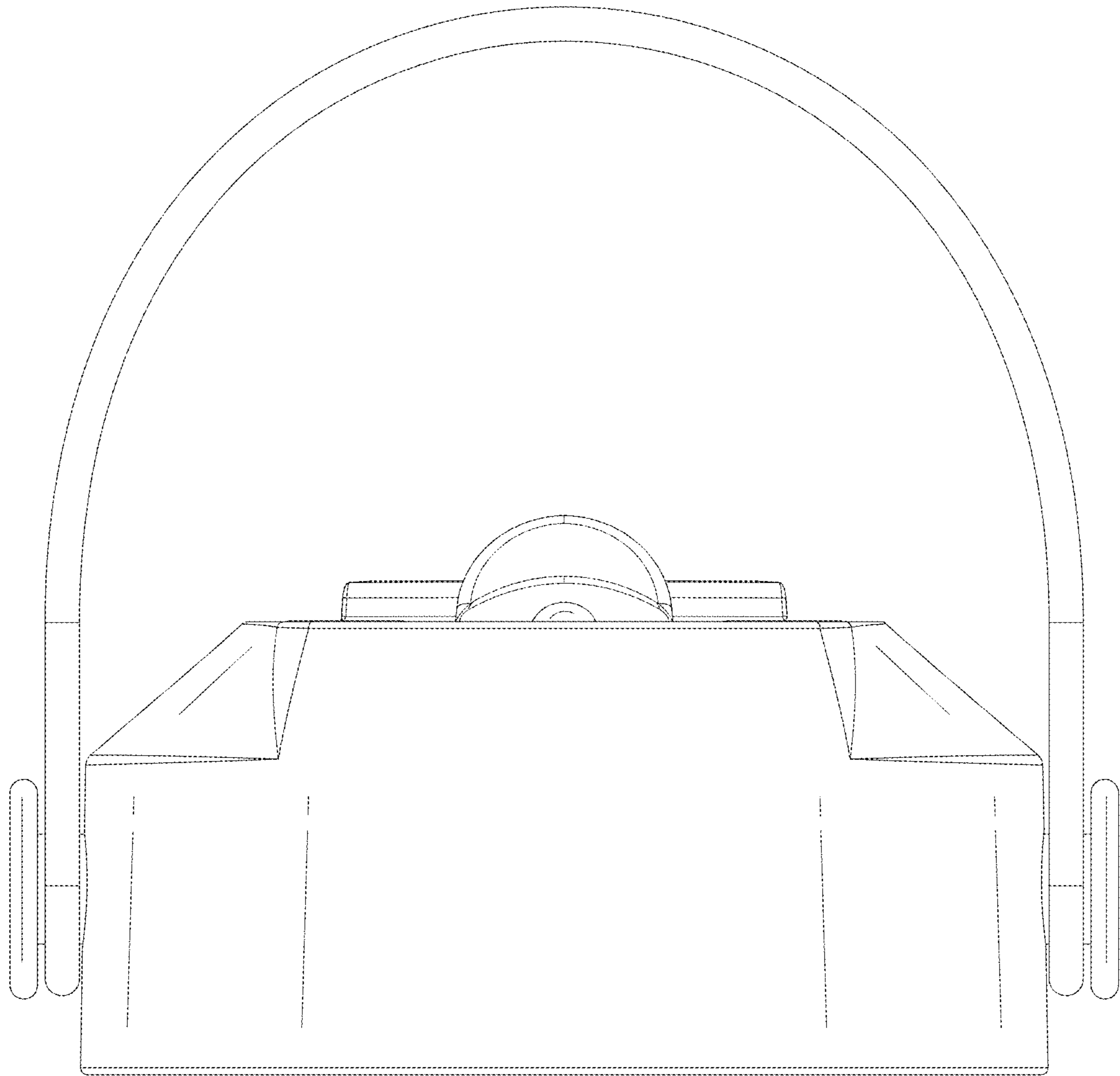


FIG. 3



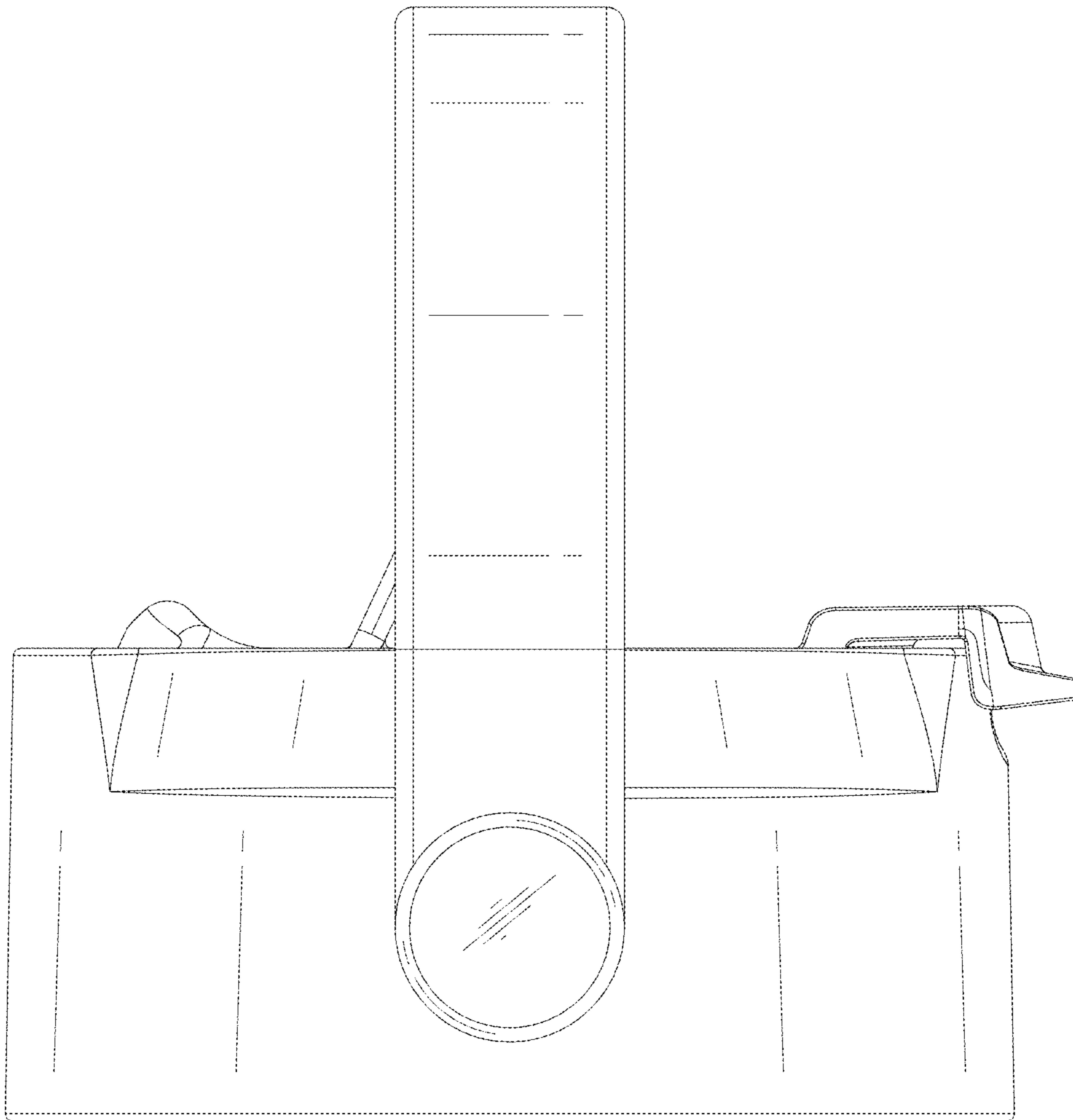


FIG. 4

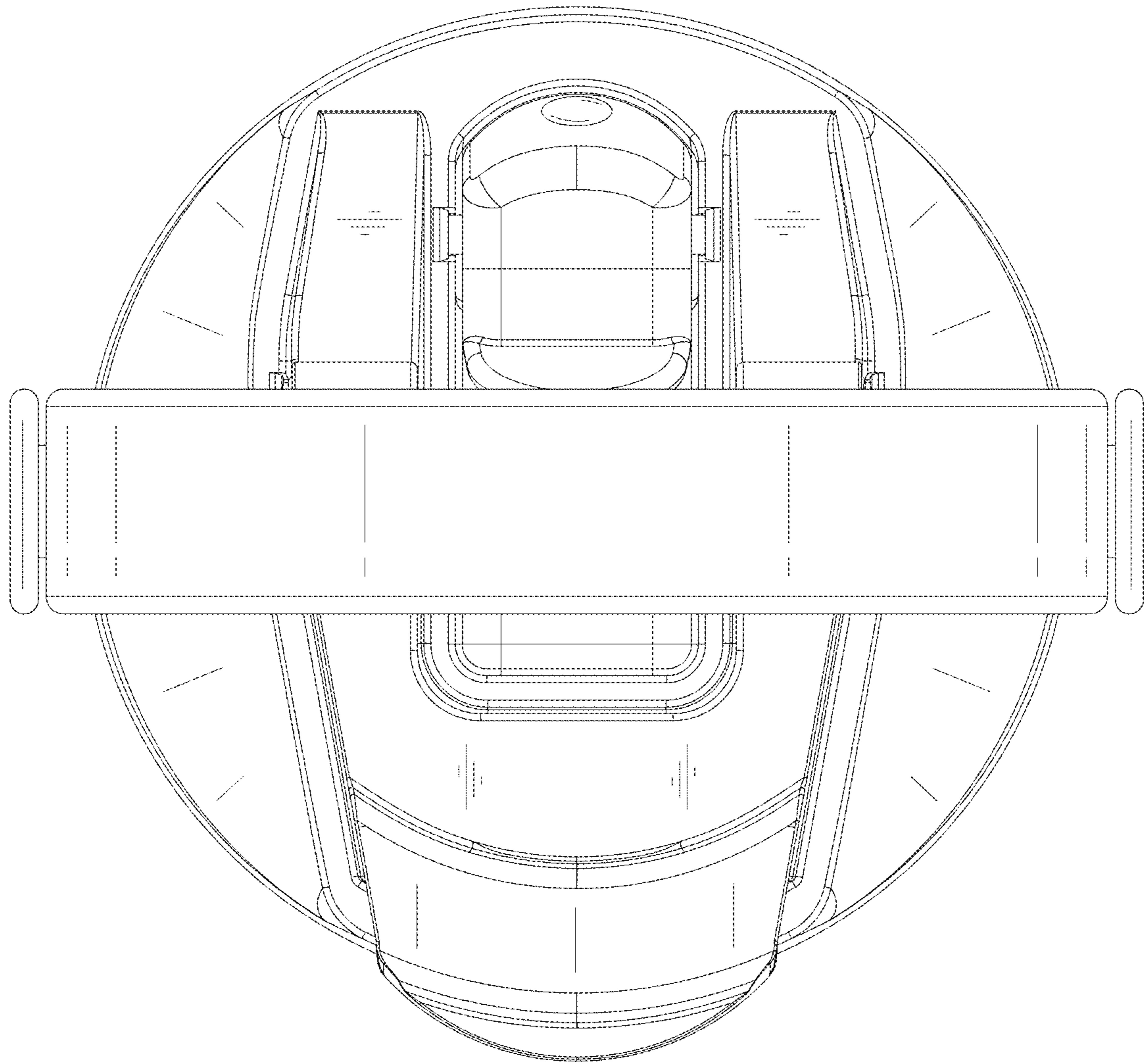


FIG. 5

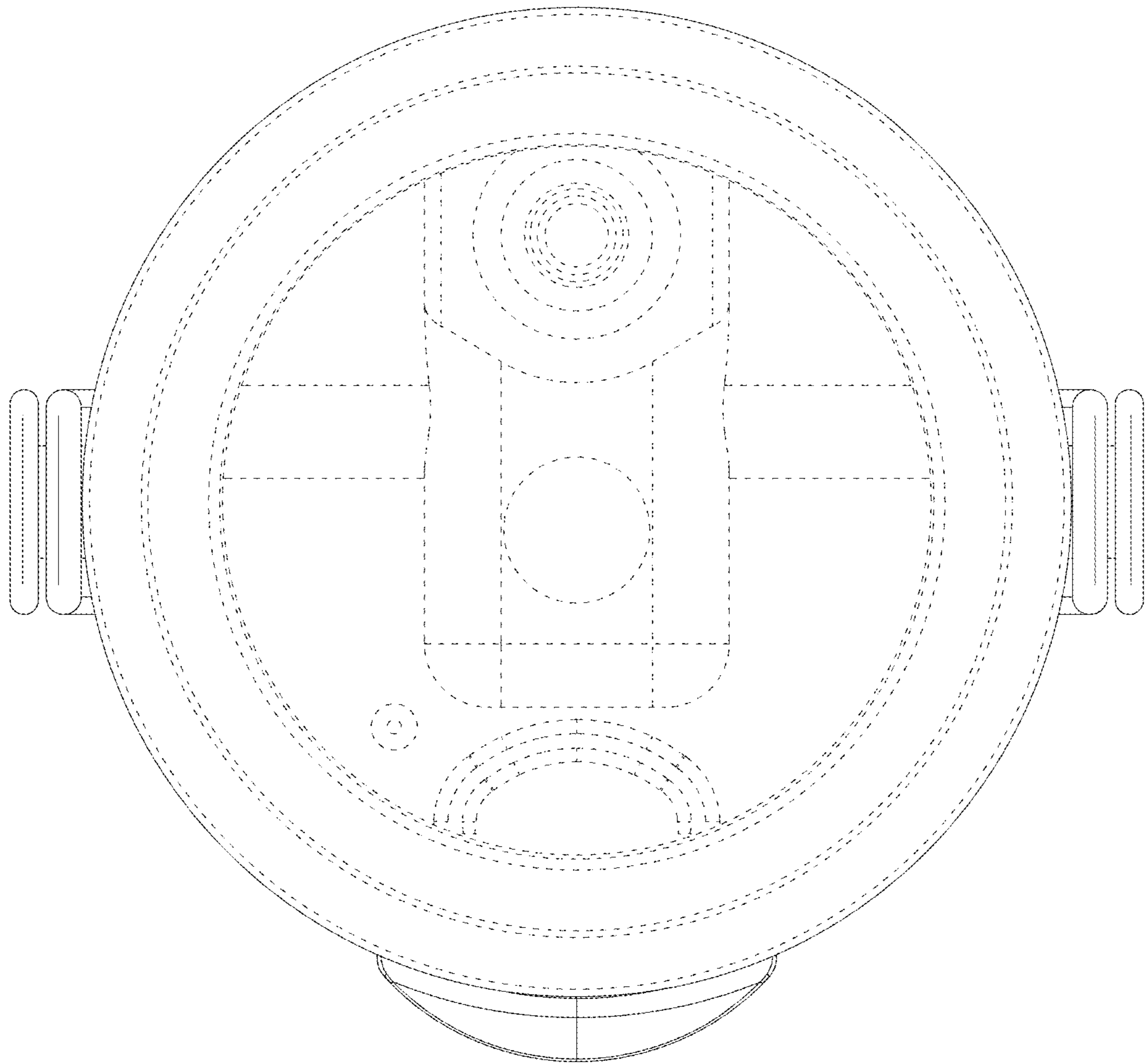


FIG. 6



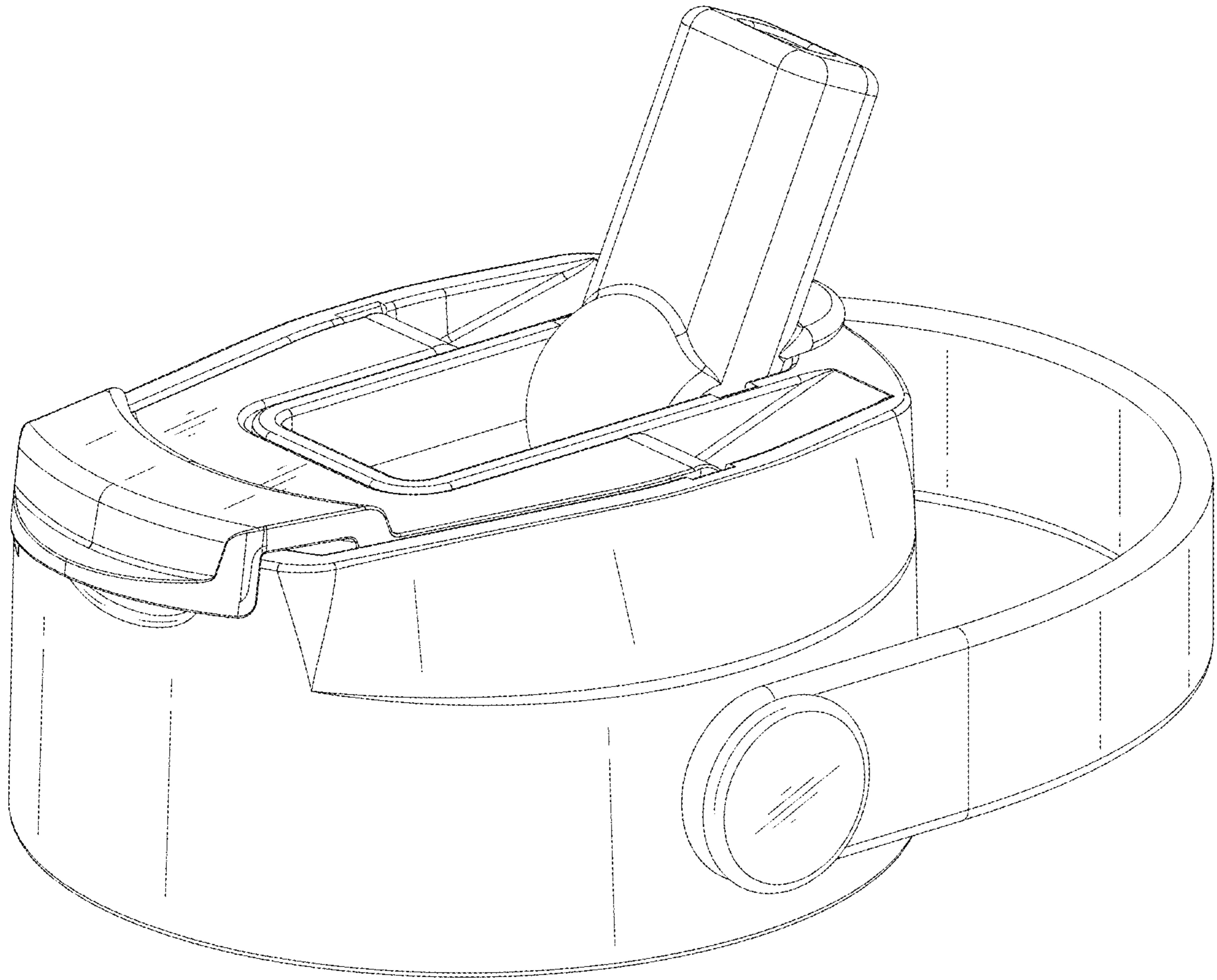


FIG. 7

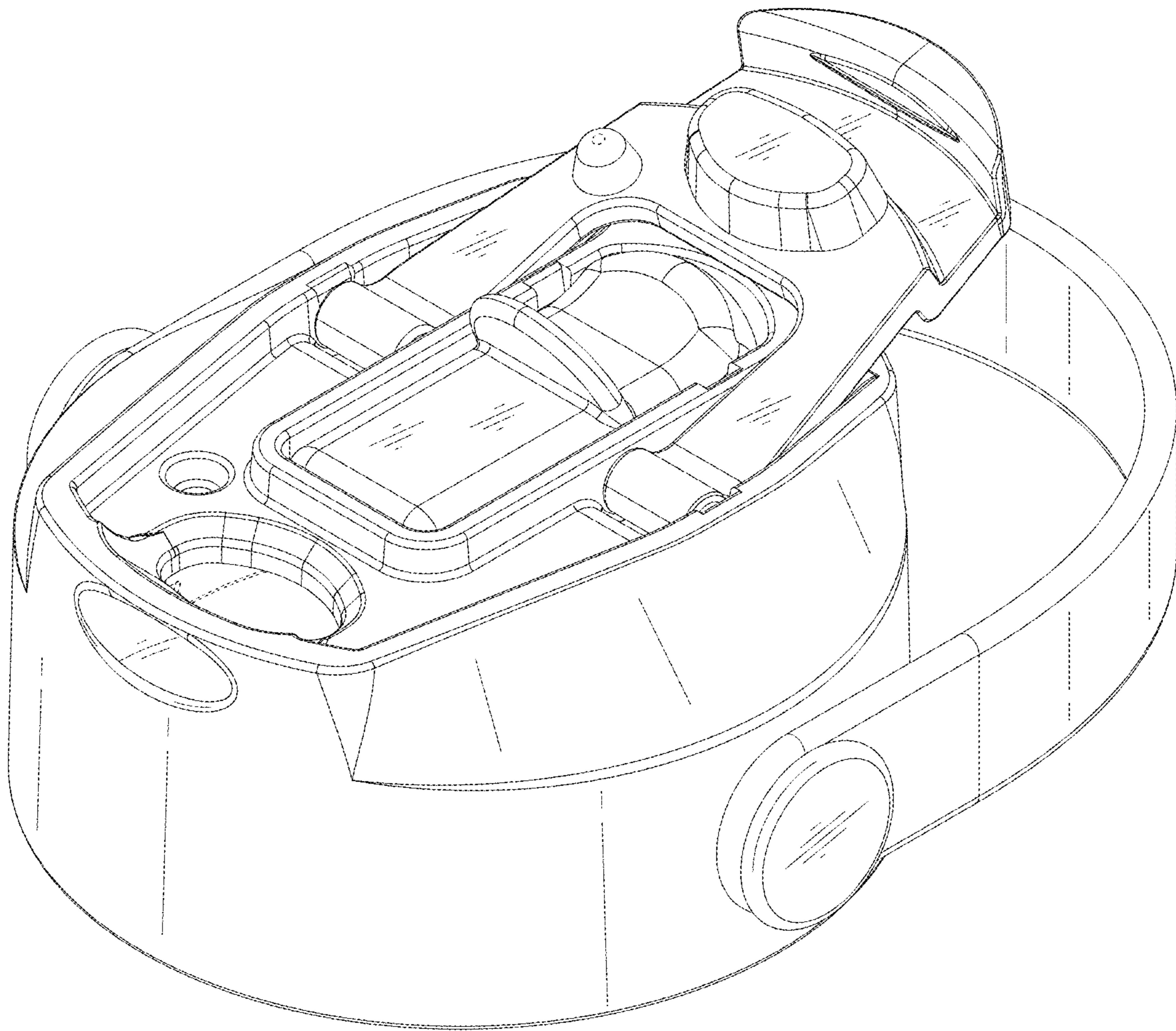


FIG. 8