



US00D905498S

(12) **United States Design Patent**
Zhang

(10) **Patent No.:** **US D905,498 S**

(45) **Date of Patent:** **** Dec. 22, 2020**

(54) **PUSH-BUTTON LID WITH STRAW**

(71) Applicant: **Yongkang Qiqing Industry and Trade Co., Ltd., Jinhua (CN)**

(72) Inventor: **Bo Zhang, Gongxian (CN)**

(**) Term: **15 Years**

(21) Appl. No.: **29/722,086**

(22) Filed: **Jan. 27, 2020**

(51) **LOC (12) Cl.** **07-01**

(52) **U.S. Cl.**
USPC **D7/392.1**

(58) **Field of Classification Search**
USPC D7/391, 392, 392.1, 396.1, 396.2, 397,
D7/509, 510, 543, 629; D9/435, 443,
D9/447, 449, 516
CPC B65D 47/066; B65D 47/305
See application file for complete search history.

(56) **References Cited**

U.S. PATENT DOCUMENTS

D564,830 S *	3/2008	Holmes	D7/392
D647,532 S	10/2011	Busch		
D682,016 S	5/2013	Knight		
D686,871 S	7/2013	Lane		
D720,218 S	12/2014	Burkemper et al.		
D721,276 S *	1/2015	Herbst	D7/396.2
D725,436 S *	3/2015	Miller	D7/396.2
D758,790 S *	6/2016	Boroski	D7/392.1
D807,692 S	1/2018	Yao		
D818,317 S *	5/2018	Fu	D7/510
D855,388 S *	8/2019	Potter	D7/392
D857,445 S *	8/2019	Keung	D7/392.1
D870,508 S *	12/2019	Palkon	D7/392.1
D881,642 S *	4/2020	Zhang	D7/392.1
2010/0170902 A1 *	7/2010	Britto	B65D 47/066 220/367.1

2012/0305559 A1 *	12/2012	Steininger	B65D 51/1672 220/253
2014/0175098 A1 *	6/2014	Lane	A45F 3/16 220/212.5
2015/0173539 A1 *	6/2015	Mason	B65D 47/063 220/707

OTHER PUBLICATIONS

“Avex FreeFlow Autoseal Water Bottle”. Found online Oct. 24, 2017 at amazon.com. Reference dated Feb. 16, 2016. Retrieved from https://www.amazon.com/FreeFlow-Autoseal-Water-Bottle-Charcoal/dp/B01BEX7GPS/ref=cm_cr_arp_d_product_top?ie=UTF8.*

(Continued)

Primary Examiner — Kendra Leslie Hamilton
(74) *Attorney, Agent, or Firm* — Cynthia W. Flanigan;
KA Filing LLC

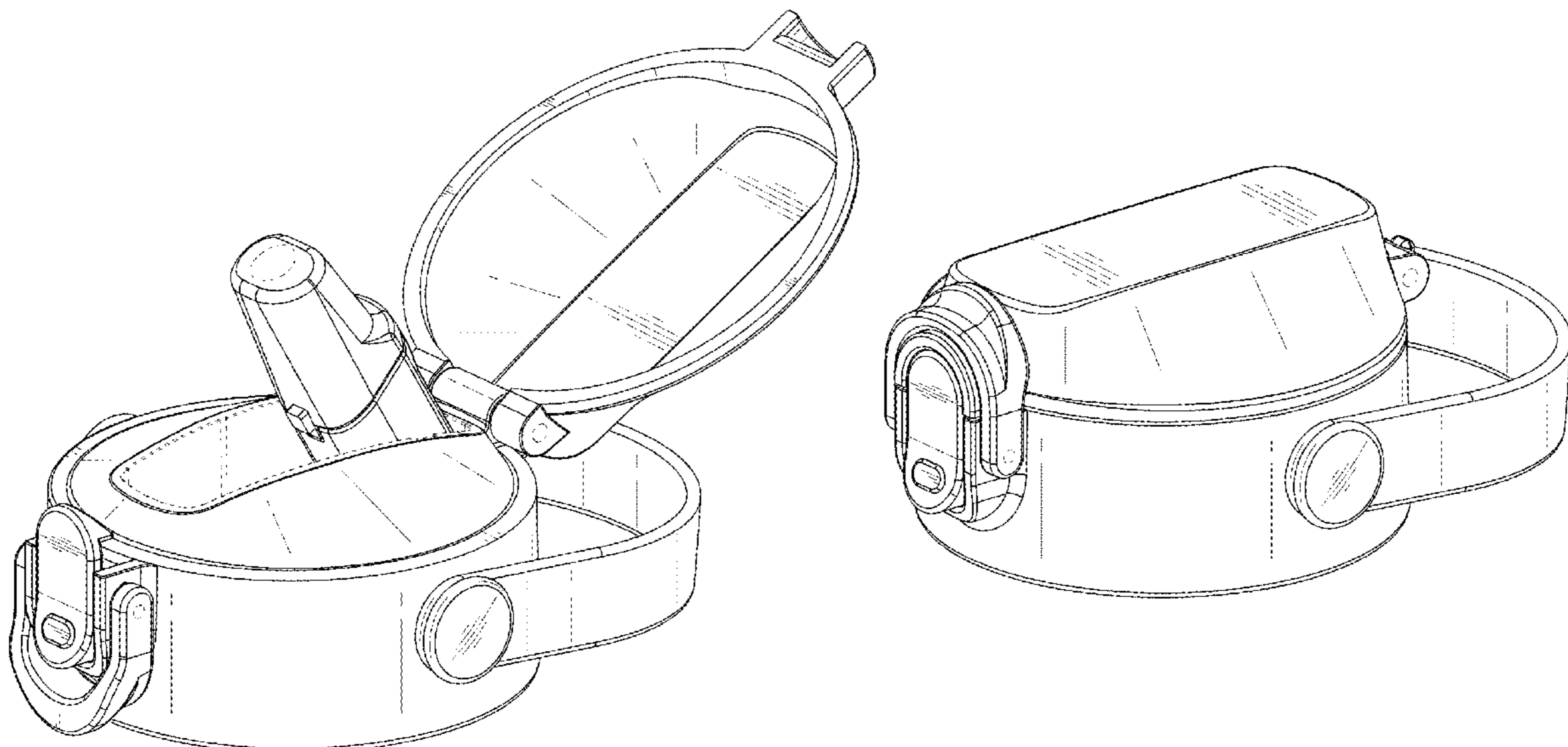
(57) **CLAIM**

I claim the ornamental design for a push-button lid with straw, as shown and described.

DESCRIPTION

FIG. 1 is a top, front, right perspective view of a push-button lid with straw, showing my new design in a first configuration of use with the cap portion open;
FIG. 2 is a top, front, right perspective view of the push-button lid with straw of FIG. 1, shown in a second configuration for use with the cap portion closed;
FIG. 3 is a front elevation view of the push-button lid with straw of FIG. 1, again shown in the first configuration or use with the cap portion open;
FIG. 4 is a rear elevation view thereof;
FIG. 5 is a right side elevation view thereof;
FIG. 6 is a left side elevation view thereof;
FIG. 7 is a top plan view thereof; and,
FIG. 8 is a bottom plan view thereof.
The equal-length broken lines in the drawings depict portions of the push-button lid with straw that form no part of the claimed design.

1 Claim, 8 Drawing Sheets



(56)

References Cited

OTHER PUBLICATIONS

“GoBottle Double-Wall Pick-a-Side Bottle”. Found online Feb. 19, 2020 at amazon.com. Reference dated Dec. 15, 2017. Retrieved from https://www.amazon.com/GoBottle-40248-Double-System-Bottle/dp/B078G1QWL7/ref=sr_1_31?keywords=gobottle&qid=1582156178&sr=8-31.*

“Lifefactory Glass Water Bottle with Straw Cap and Silicone Sleeve”. Found online Jun. 28, 2017 at amazon.com. Reference dated Jul. 9, 2013. Retrieved from https://www.amazon.com/Lifefactory-22-Ounce-BPA-Free-Bottle-Silicone/dp/B00DUHFH6C/ref=sr_1_22?ie=UTF8&qid=1498675614&sr=8-22&keywords=life+factory.*

* cited by examiner

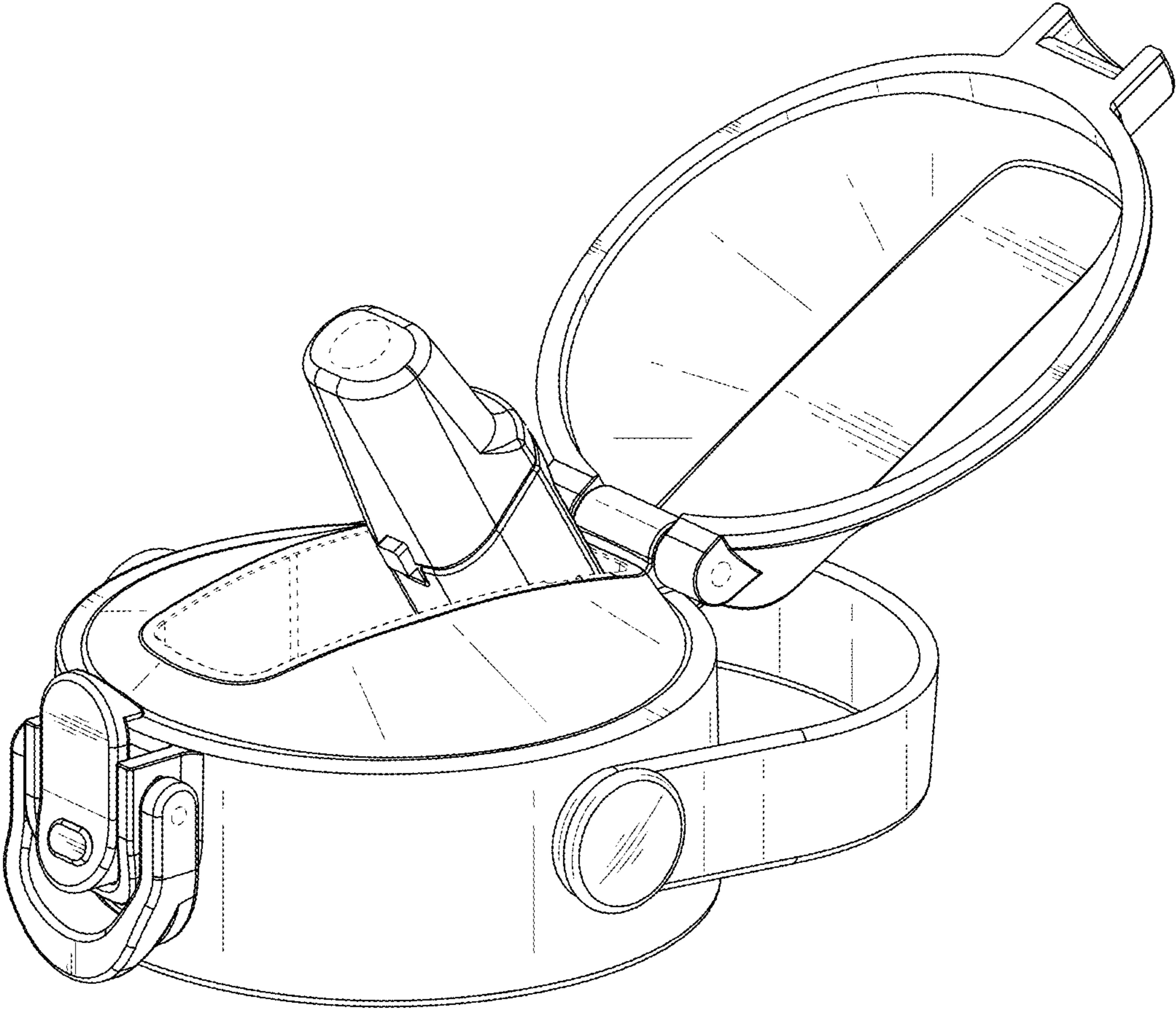


FIG. 1

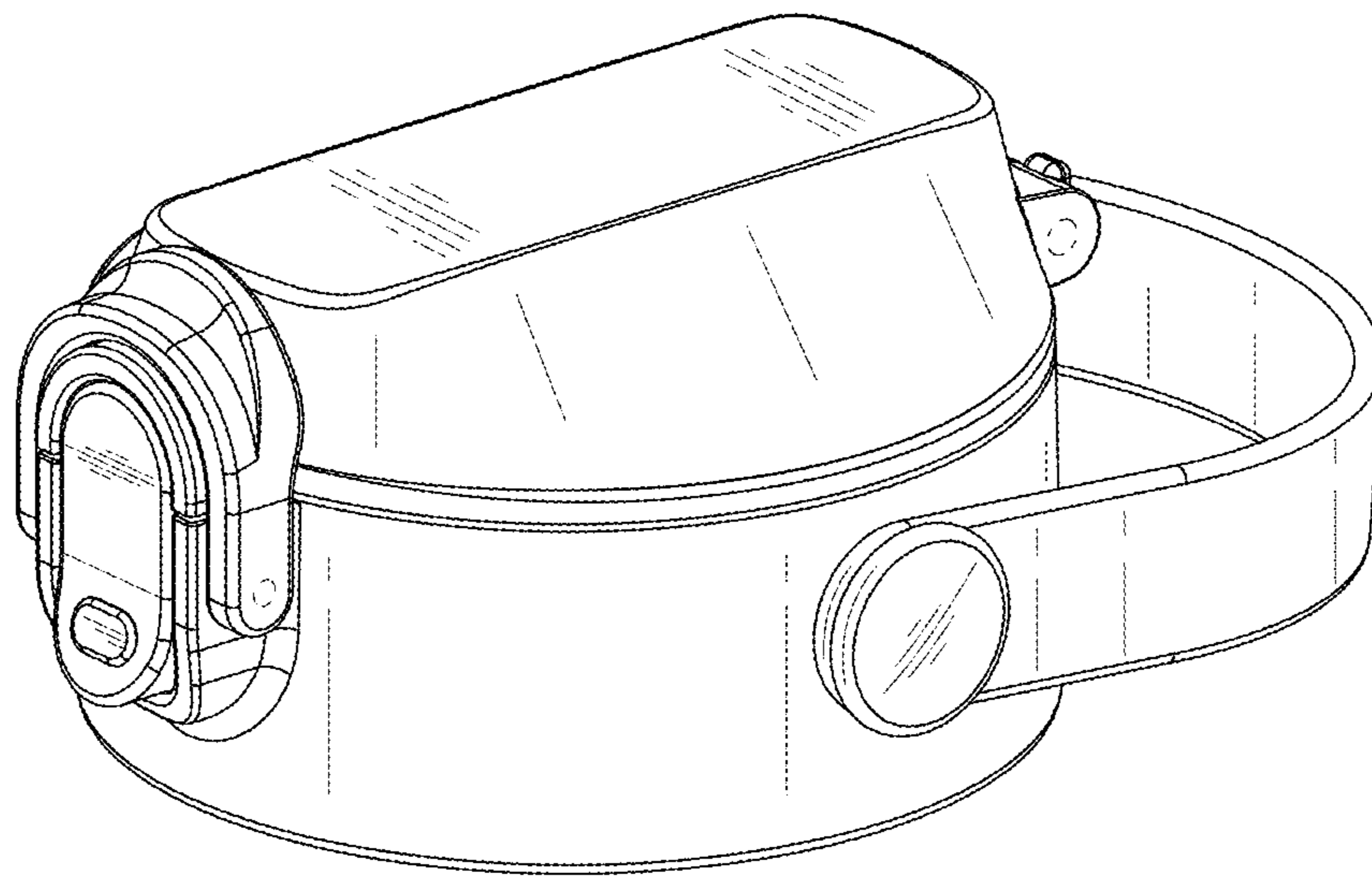


FIG. 2

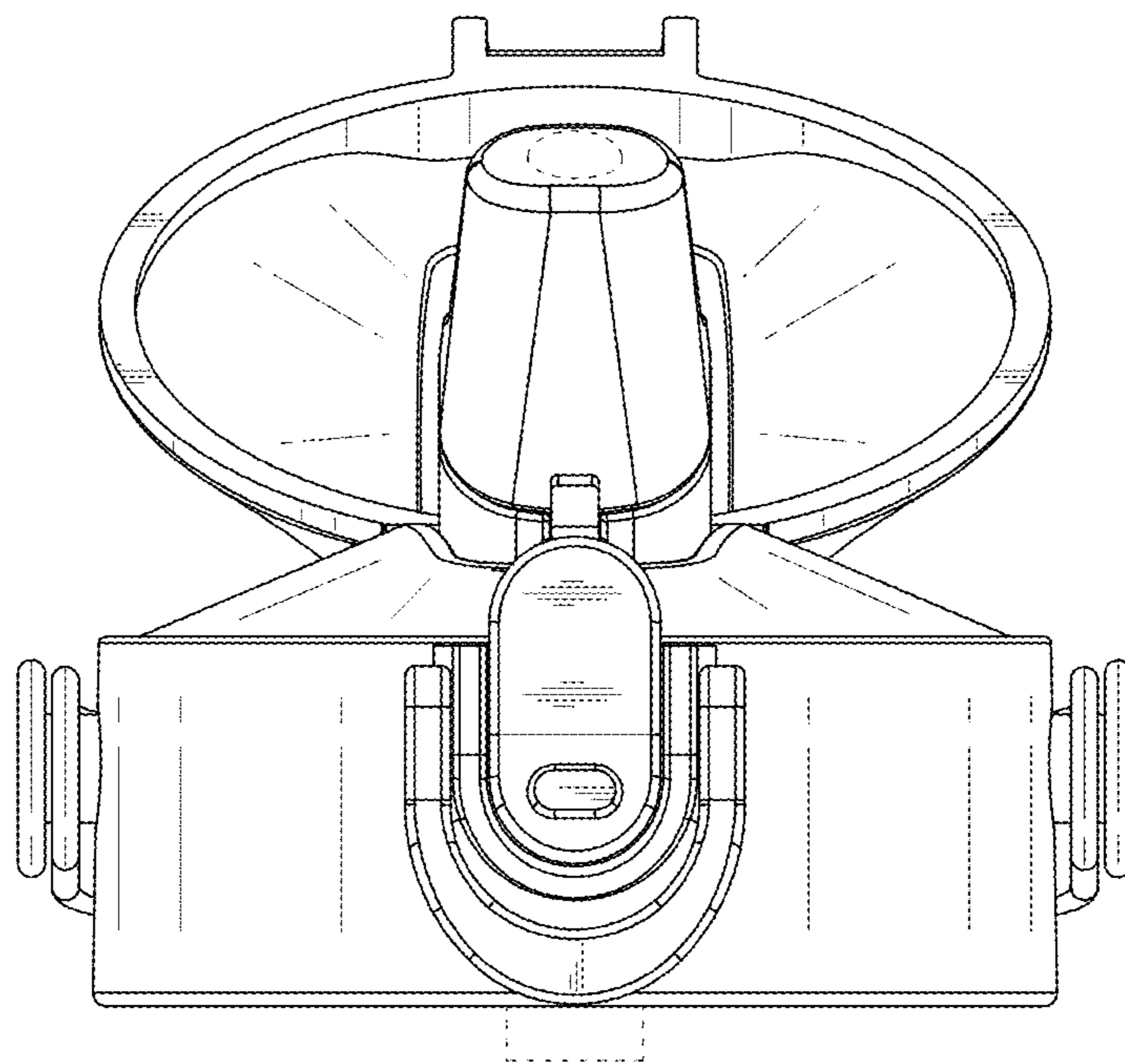


FIG. 3

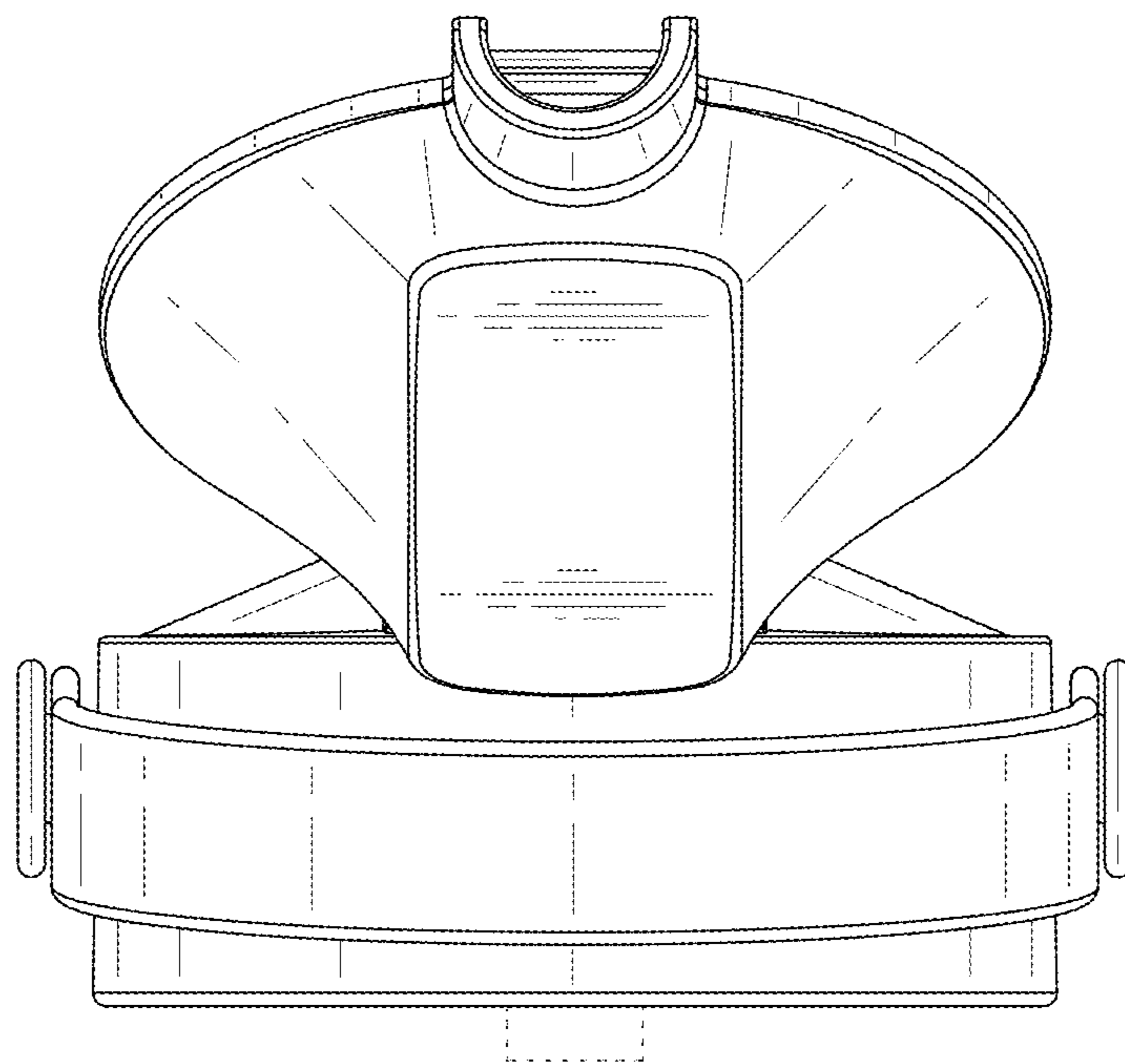


FIG. 4

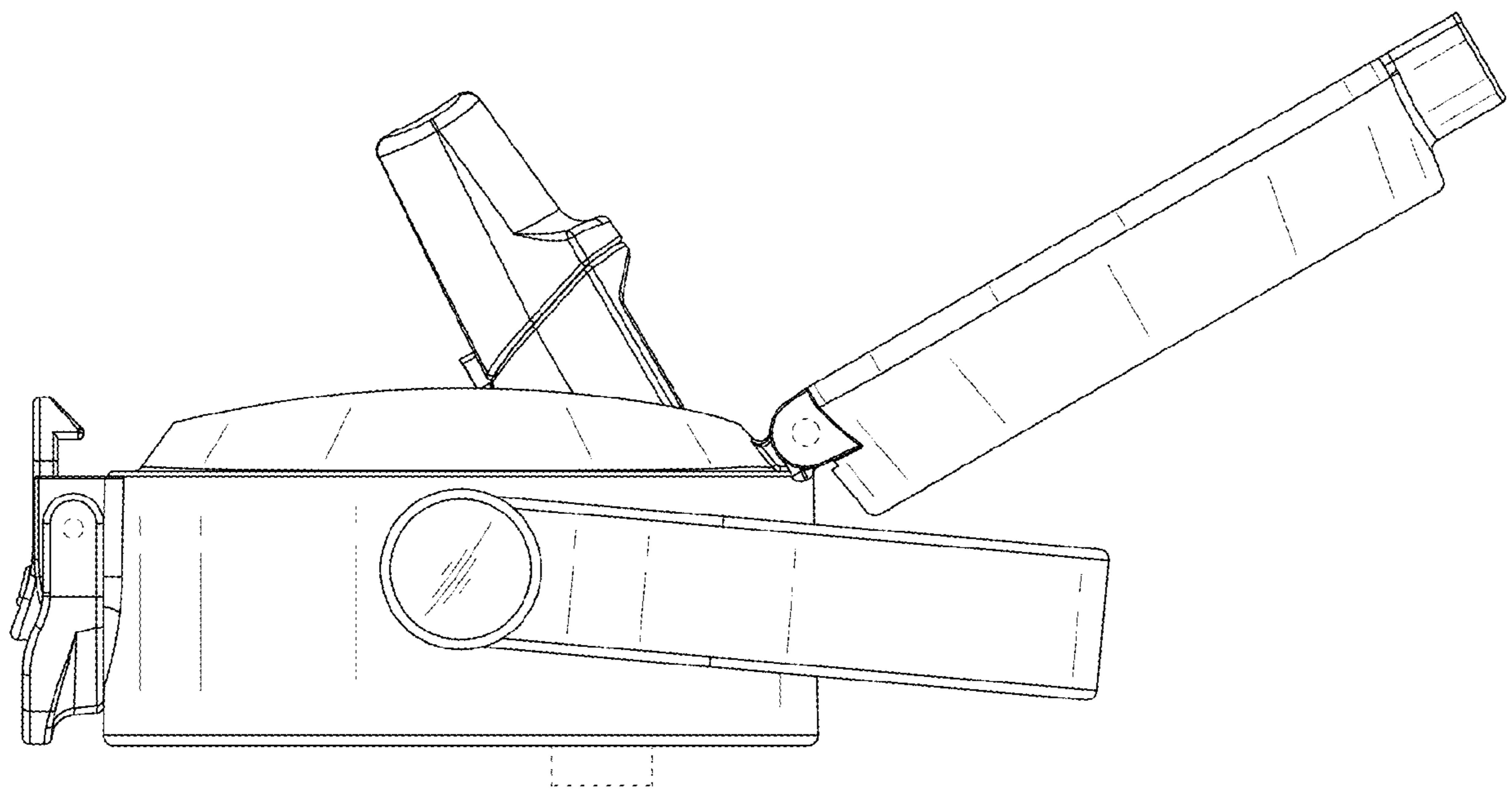


FIG. 5

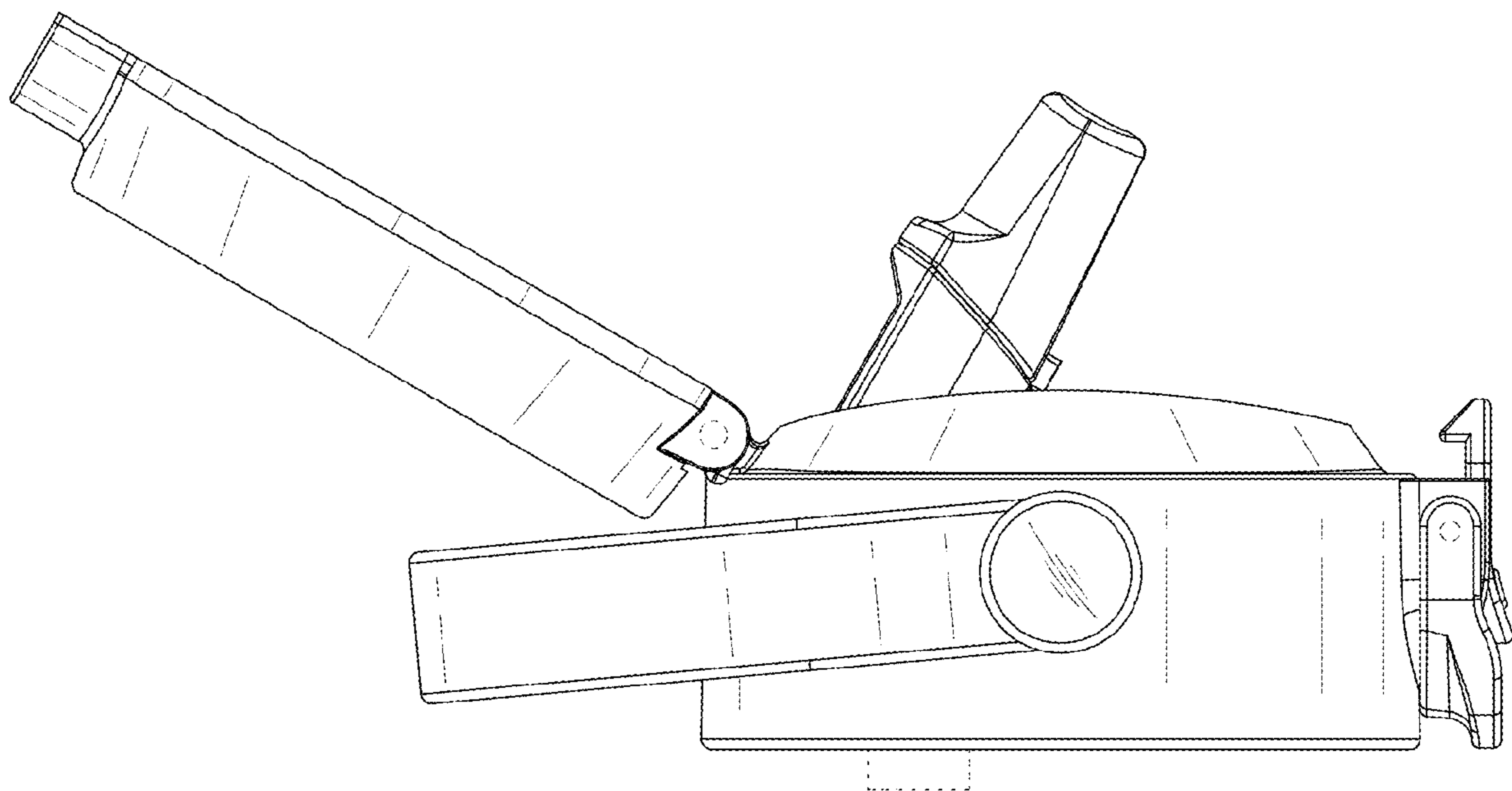


FIG. 6

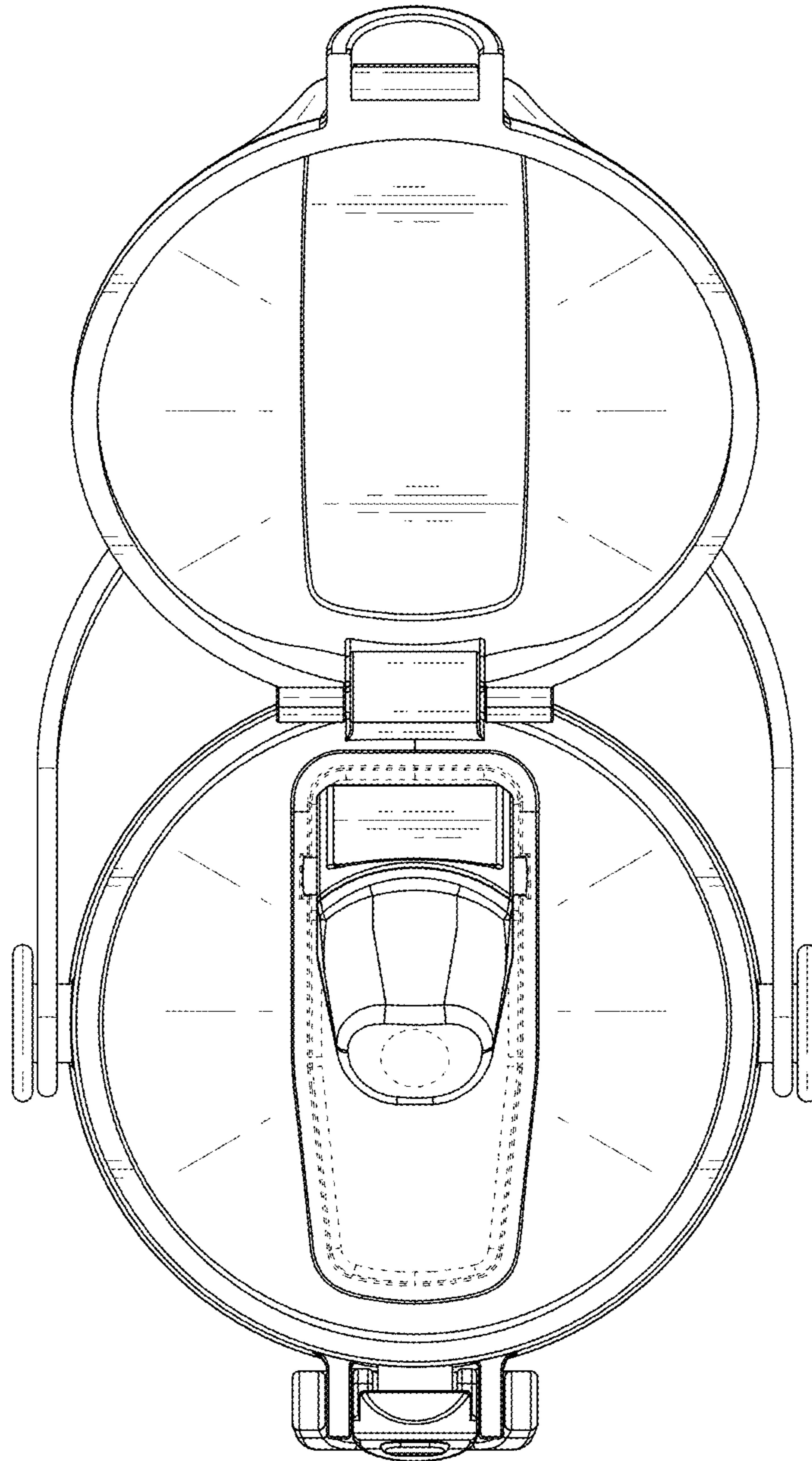


FIG. 7

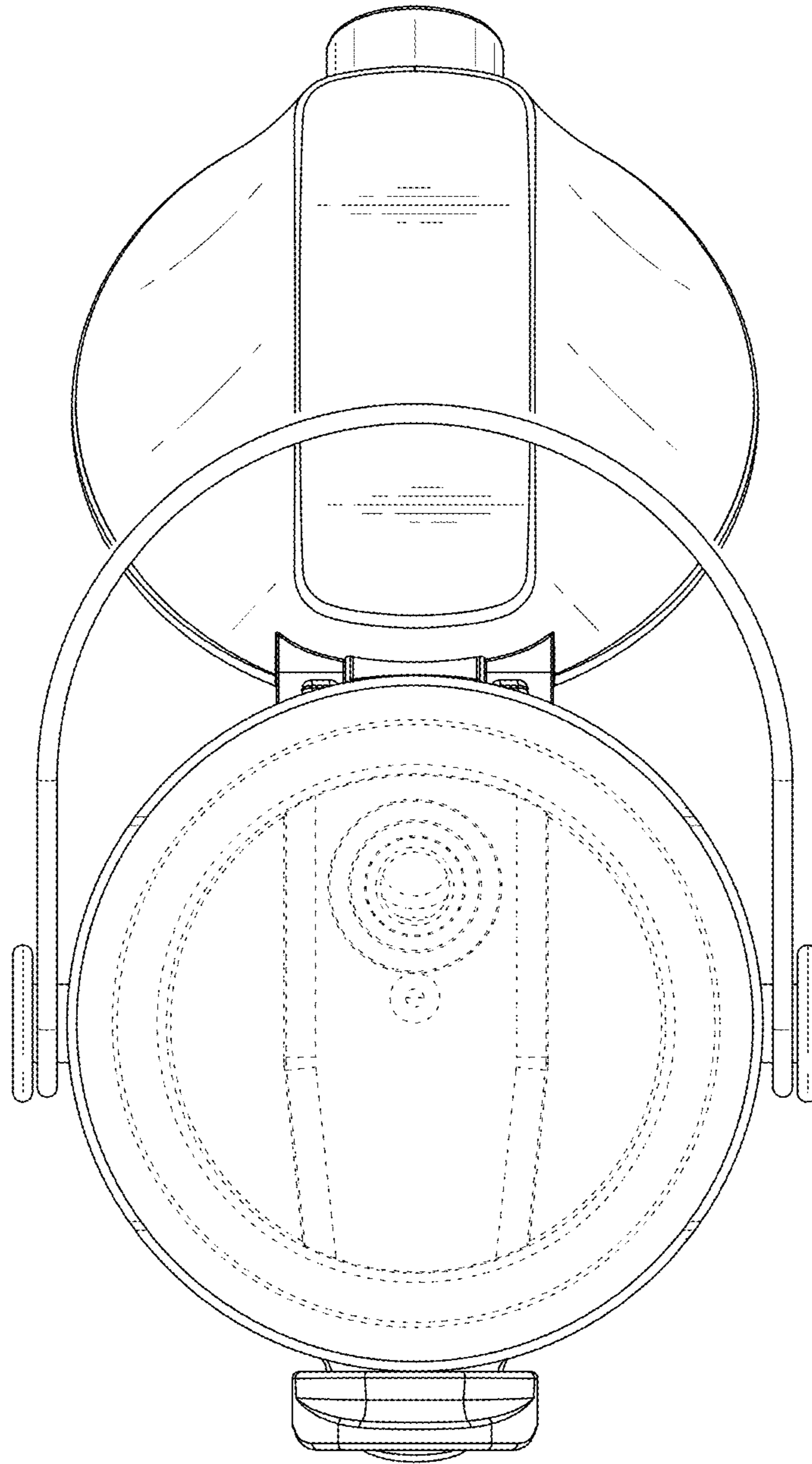


FIG. 8