



US00D905496S

(12) **United States Design Patent** (10) **Patent No.:** **US D905,496 S**
Pamplin (45) **Date of Patent:** **** Dec. 22, 2020**

(54) **PORTABLE BLENDER**
(71) Applicant: **BlendJet Inc.**, Concord, CA (US)
(72) Inventor: **Ryan Michael Pamplin**, Oakland, CA (US)

4,741,482 A 5/1988 Coggiola
5,425,579 A 6/1995 Sampson
5,639,161 A 6/1997 Sirianni
5,720,552 A 2/1998 Schindlegger
5,911,504 A 6/1999 Schindlegger, Jr.
D448,236 S * 9/2001 Murray D7/326
6,331,070 B1 12/2001 Desai

(Continued)

(73) Assignee: **BlendJet Inc.**, Concord, CA (US)

(**) Term: **15 Years**

(21) Appl. No.: **29/714,599**

(22) Filed: **Nov. 25, 2019**

(51) **LOC (12) Cl.** **31-00**

(52) **U.S. Cl.**
USPC **D7/378**; D7/376; D7/412; D7/413

(58) **Field of Classification Search**
USPC D7/326, 354, 372, 376-386, 412-413,
D7/507, 590, 602, 629, 665-666, 669,
D7/679, 693-694

CPC A21C 1/02; A21C 1/04; A23N 1/00; A23N
1/02; A47J 43/04; A47J 43/25; A47J
43/27; A47J 43/042; A47J 43/044; A47J
43/046; A47J 43/075; A47J 43/0716;
A47J 43/0722; A47J 43/0727; B01F 3/00;
B01F 3/0807; B01F 3/0853; B01F
13/0059; B01F 13/0064; B02C 1/08;
B02C 2/04; B02C 4/42; B02C 4/142;
B02C 4/143; B02C 4/423; B02C 13/1835;
B28C 5/10; B28C 5/12; B28C 5/14;
B28C 5/16; F21S 9/02

See application file for complete search history.

(56) **References Cited**

U.S. PATENT DOCUMENTS

D123,477 S * 11/1940 Fetman et al. D7/378
3,931,494 A 1/1976 Fisher
4,095,090 A 6/1978 Pianezza
4,435,084 A 3/1984 Calhoun
4,487,509 A 12/1984 Boyce
4,629,131 A 12/1986 Podell

FOREIGN PATENT DOCUMENTS

CN 201398891 2/2010
CN 104473576 A 4/2015

(Continued)

OTHER PUBLICATIONS

Ecpurchase Portable Blender USB Rechargeable. Date First Available on Amazon.com May 7, 2018. <https://www.amazon.com/Portable-Blender-Rechargeable-Single-Personal/dp/B07CXM3CC3/>. (Year: 2018).*

(Continued)

Primary Examiner — Ricky Pham
(74) *Attorney, Agent, or Firm* — Esplin & Associates, PC

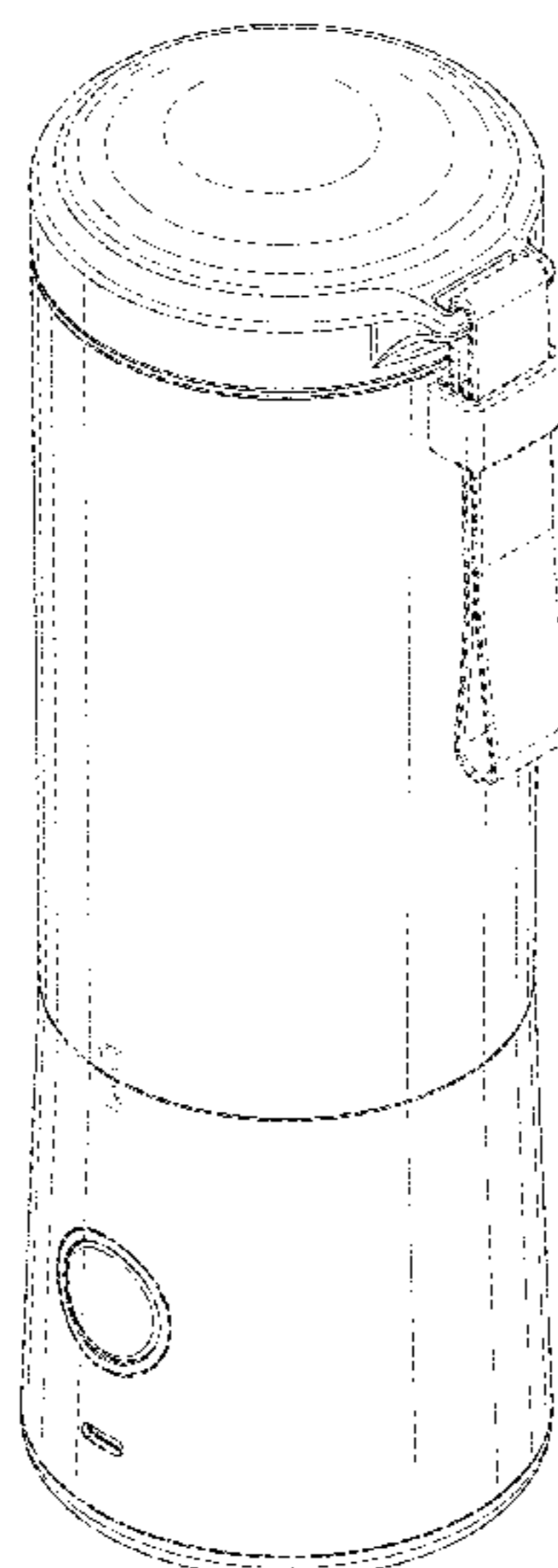
(57) **CLAIM**

The ornamental design for a portable blender, as shown and described.

DESCRIPTION

FIG. 1 is a front view of a portable blender showing the new design;
FIG. 2 is a left-side view thereof;
FIG. 3 is a front-left perspective view thereof;
FIG. 4 is a bottom-left perspective view thereof;
FIG. 5 is a bottom view thereof;
FIG. 6 is a top view thereof; and,
FIG. 7 is a rear view thereof.
The portions shown in broken lines form no part of the claimed design.

1 Claim, 7 Drawing Sheets



(56)

References Cited

U.S. PATENT DOCUMENTS

6,568,843 B1 5/2003 Lai
 6,614,206 B1 9/2003 Wong
 6,796,705 B1 9/2004 Khubani
 6,962,432 B2 11/2005 Hofeldt
 D522,318 S * 6/2006 McGuyer D7/590
 D548,523 S 8/2007 Greenspon
 D560,445 S * 1/2008 Tardif D7/679
 7,314,307 B2 1/2008 Cai
 7,364,348 B1 4/2008 Jones
 7,384,182 B2 6/2008 Bhavnani
 7,422,362 B2 9/2008 Sands
 D580,702 S * 11/2008 Holcomb D7/377
 7,518,343 B2 4/2009 Veselic
 7,938,574 B2 5/2011 McGill
 D686,869 S * 7/2013 Shoshan D7/354
 8,851,739 B2 10/2014 Gonzalez
 9,035,222 B2 5/2015 Alexander
 9,039,274 B1 5/2015 Corda
 9,134,020 B1 * 9/2015 Wells F21S 9/02
 9,549,639 B2 1/2017 Garr
 9,787,130 B2 10/2017 Kim
 9,801,498 B2 * 10/2017 Fach A47J 43/0716
 9,814,331 B2 11/2017 Alexander
 D815,486 S * 4/2018 Suess D7/386
 10,010,213 B2 7/2018 Alexander
 D829,042 S * 9/2018 Duan D7/378
 10,143,980 B1 12/2018 Marko
 10,188,229 B2 1/2019 Alexander
 10,299,629 B2 5/2019 Bascom
 10,299,632 B2 5/2019 Vu et al.
 D856,083 S * 8/2019 Lawson-Shanks D7/507
 10,383,482 B1 8/2019 Pamplin
 10,391,461 B2 8/2019 Alfoudari
 D867,806 S * 11/2019 Bodum D7/377
 D873,601 S * 1/2020 Sirju D7/378
 10,702,837 B1 7/2020 Pamplin
 10,792,630 B1 10/2020 Pamplin
 10,799,071 B2 10/2020 Pamplin
 2001/0036124 A1 11/2001 Rubenstein
 2007/0182367 A1 8/2007 Partovi

2007/0209528 A1 9/2007 Chang
 2007/0290555 A1 12/2007 Caren
 2008/0217284 A1 9/2008 Roth
 2008/0259722 A1 10/2008 Sanford
 2008/0265838 A1 10/2008 Garg
 2010/0005977 A1 1/2010 Menashes
 2010/0301808 A1 12/2010 David
 2011/0024537 A1 2/2011 Gonzalez
 2011/0248108 A1 10/2011 Carriere
 2013/0222991 A1 8/2013 McWilliams
 2014/0247686 A1 9/2014 Arnett
 2014/0301155 A1 10/2014 Montgomery
 2015/0117137 A1 4/2015 Haney
 2015/0165402 A1 6/2015 King
 2015/0374175 A1 12/2015 Garr
 2016/0235243 A1 8/2016 Grassia
 2016/0354740 A1 12/2016 Gonzalez
 2017/0104297 A1 4/2017 Scott
 2017/0110898 A1 4/2017 Kyriakoulis
 2018/0146826 A1 5/2018 Mizrahi
 2018/0160855 A1 6/2018 Krivos
 2018/0221836 A1 8/2018 Ni
 2019/0000275 A1 1/2019 Sapire
 2019/0365156 A1 12/2019 Vu
 2020/0061557 A1 2/2020 Bertsch
 2020/0205615 A1 7/2020 Pamplin

FOREIGN PATENT DOCUMENTS

CN 204520400 8/2015
 CN 205006717 U 2/2016
 CN 207444802 U 6/2018
 CN 207768224 U 8/2018
 GB 2506926 4/2014
 WO 2017157965 9/2017

OTHER PUBLICATIONS

PCT International Search Report and Written Opinion, Application No. PCT/US19/63089, dated Feb. 19, 2020, dated 11 pages.

* cited by examiner

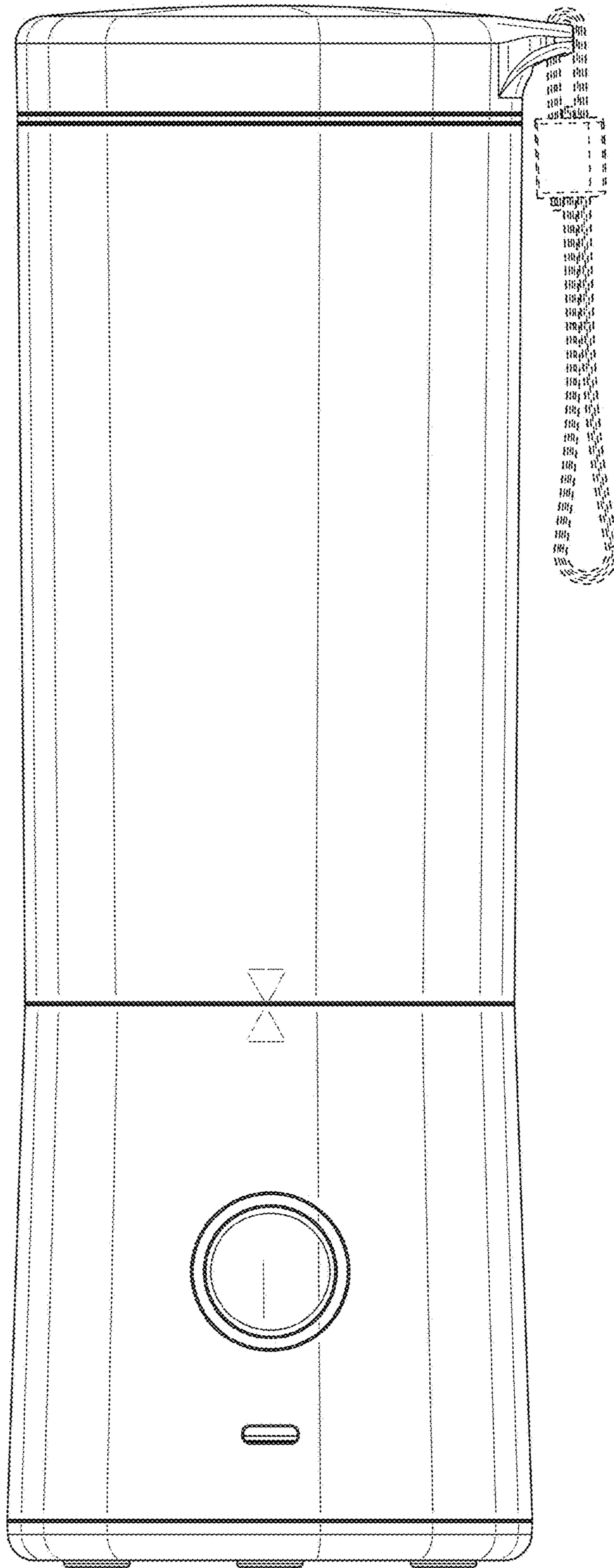


FIG. 1

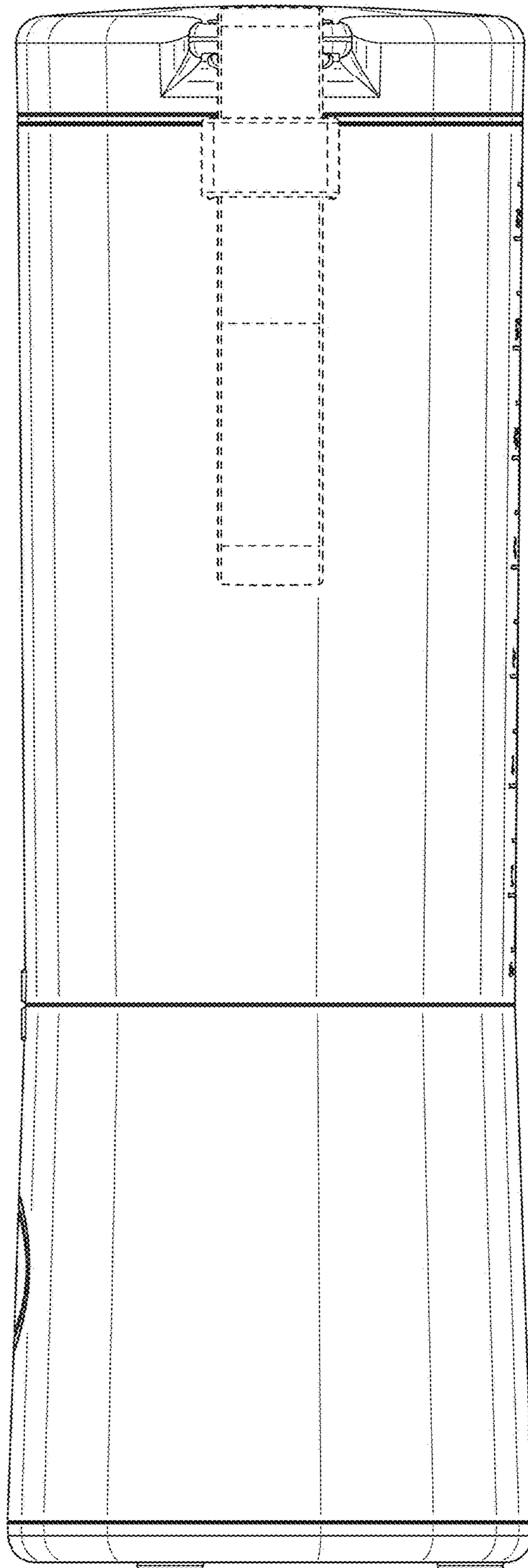


FIG. 2

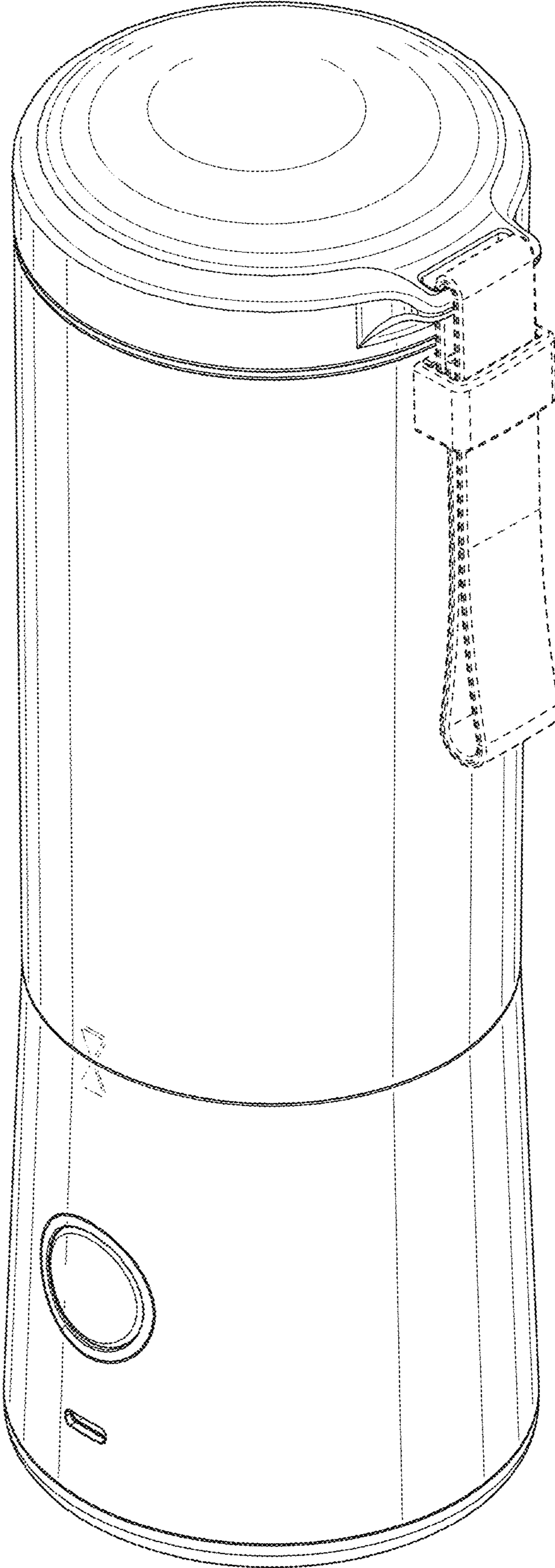


FIG. 3

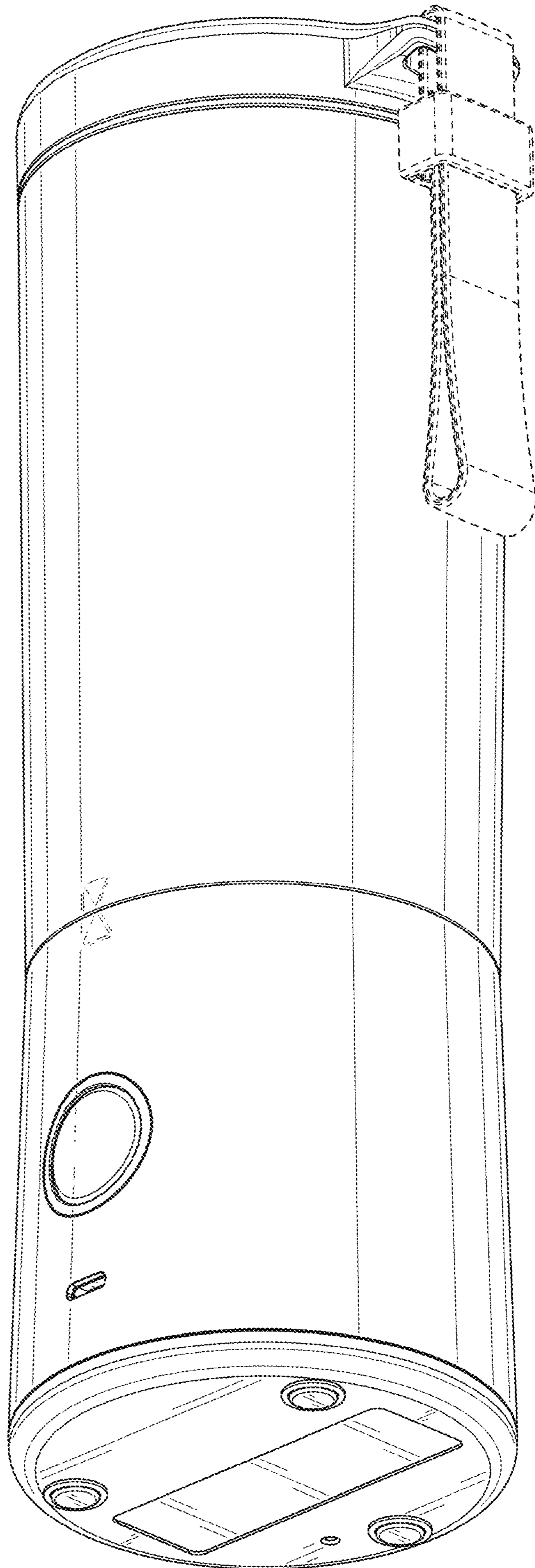


FIG. 4

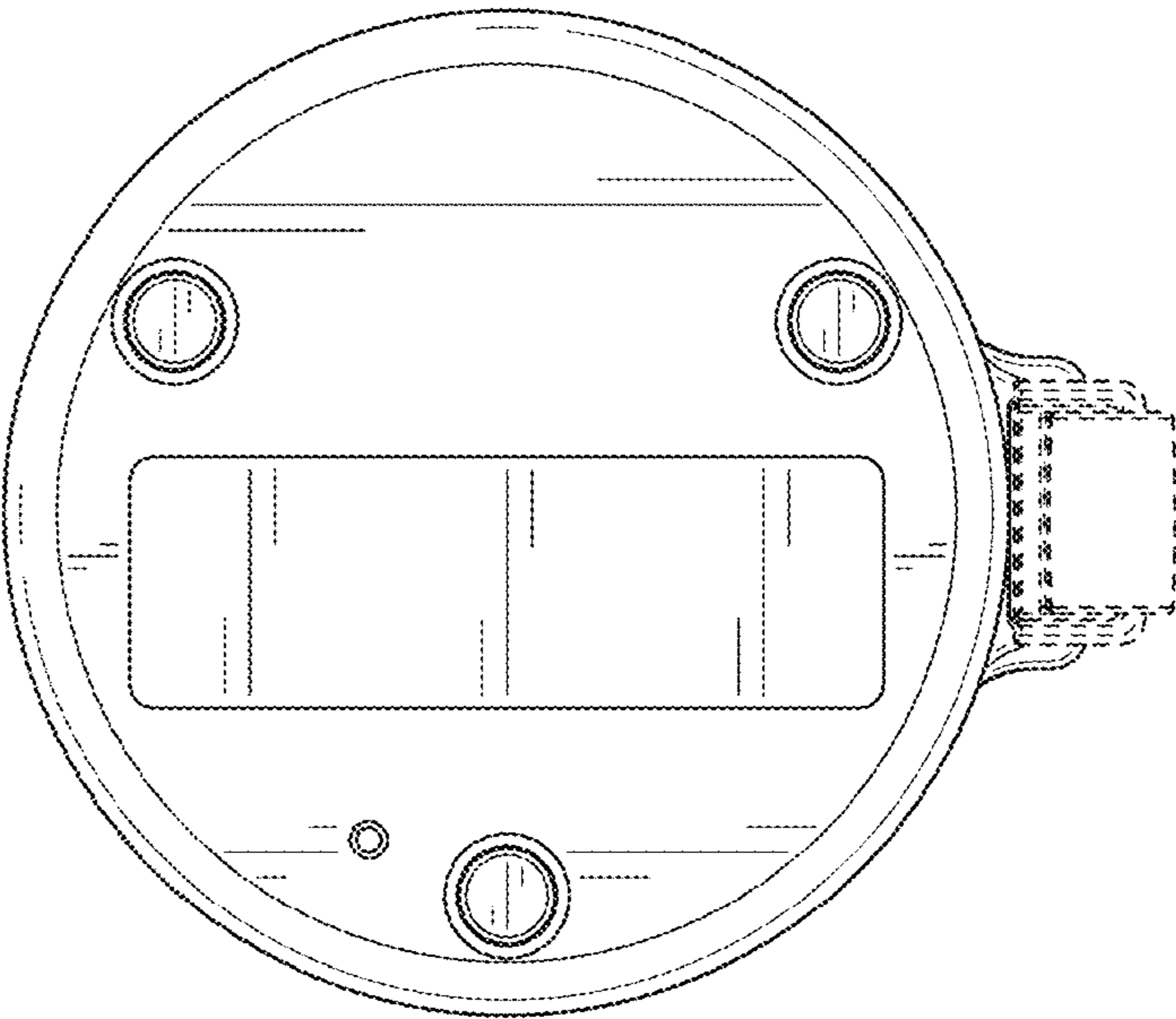


FIG. 5

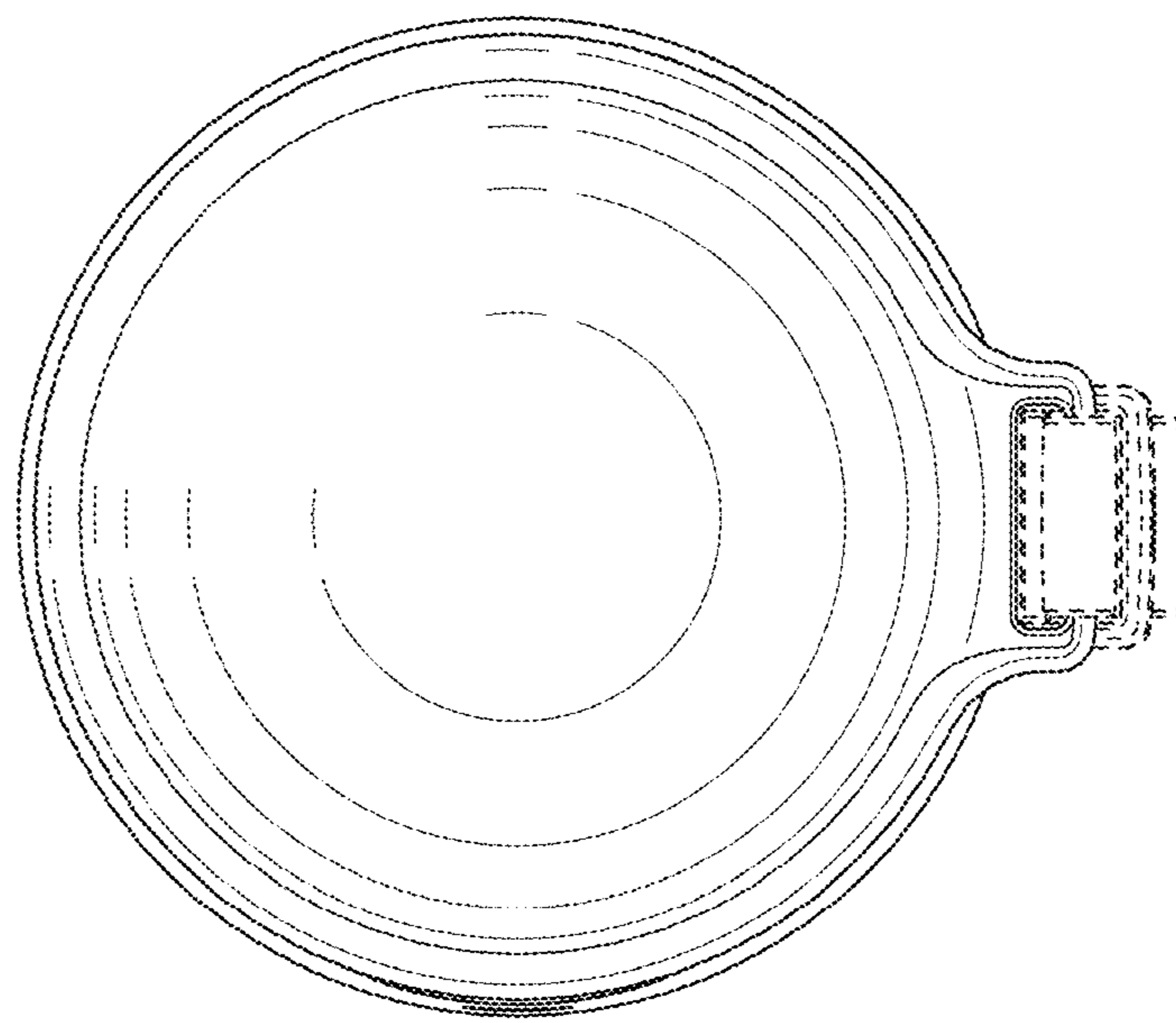


FIG. 6

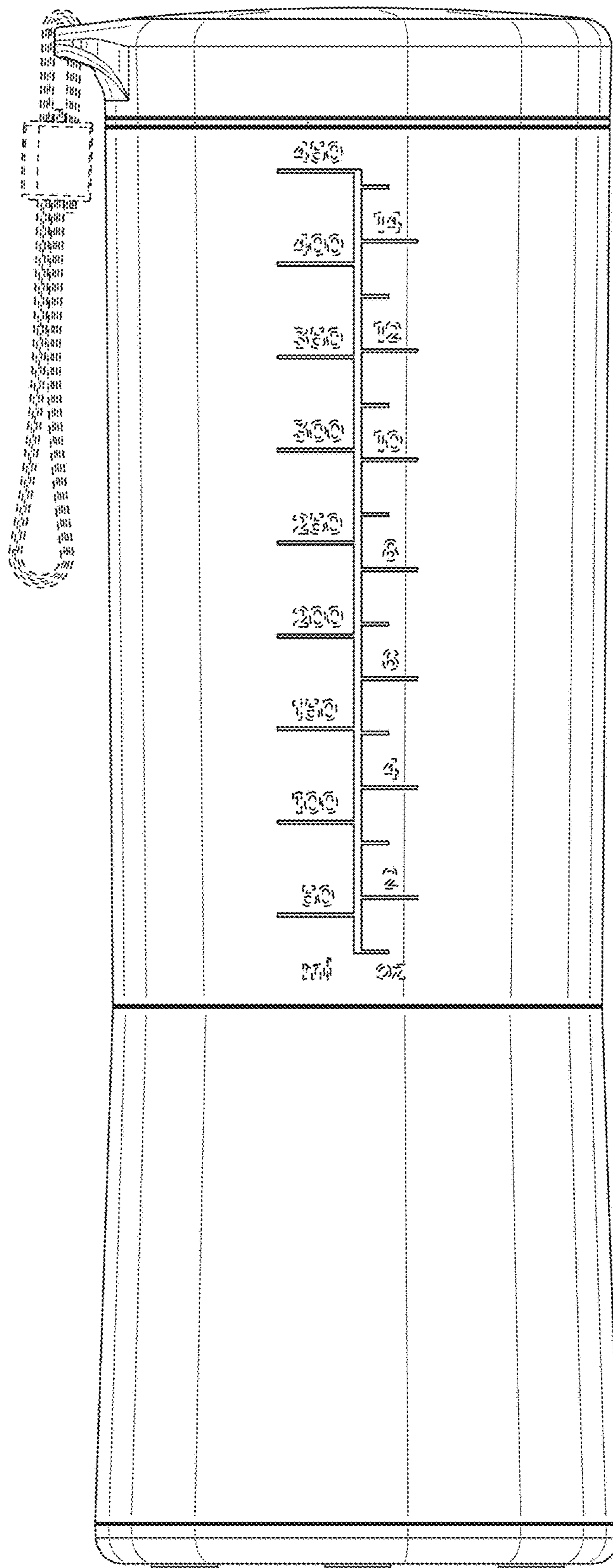


FIG. 7