



US00D905495S

(12) **United States Design Patent** (10) **Patent No.:** **US D905,495 S**
Sapire et al. (45) **Date of Patent:** **** Dec. 22, 2020**

(54) **BLENDER**

(71) Applicant: **Beast Health, LLC**, Pacific Palisades, CA (US)

(72) Inventors: **Colin Sapire**, Pacific Palisades, CA (US); **Benjamin Bangser**, Los Angeles, CA (US); **Gregory Thune**, Los Angeles, CA (US)

(73) Assignee: **BEAST HEALTH, LLC**, Pacific Palisades, CA (US)

(**) Term: **15 Years**

(21) Appl. No.: **29/703,995**

(22) Filed: **Aug. 30, 2019**

(51) **LOC (12) Cl.** **31-00**

(52) **U.S. Cl.**
USPC **D7/378**; D7/376; D7/386; D7/412; D7/413

(58) **Field of Classification Search**

USPC D7/372, 376–386, 412–413, 590, 602, D7/629, 665–666, 669, 679, 693–694
 CPC A21C 1/02; A21C 1/04; A23N 1/00; A23N 1/02; A47J 36/2411; A47J 42/04; A47J 42/06; A47J 42/08; A47J 43/04; A47J 43/22; A47J 43/25; A47J 43/27; A47J 43/042; A47J 43/044; A47J 43/046; A47J 43/075; A47J 43/0722; A47J 43/0727; B01F 3/00; B01F 3/0807; B01F 3/0853; B01F 13/0059; B01F 13/0064; B02C 1/08; B02C 2/04; B02C 4/42; B02C 4/142; B02C 4/143; B02C 4/423; B02C 13/1835; B28C 5/10; B28C 5/12; B28C 5/14; B28C 5/16

See application file for complete search history.

(56) **References Cited**

U.S. PATENT DOCUMENTS

2,920,875 A *	1/1960	Marfuggi	A47J 43/046 366/197
4,307,808 A *	12/1981	Johnson	A47J 43/22 131/311
4,960,246 A *	10/1990	Fohrman	A47J 42/04 241/169.1
D361,478 S *	8/1995	Kinsman	D7/679
D522,318 S *	6/2006	McGuyer	D7/590
D530,993 S *	10/2006	Kolflat	D7/679
D581,750 S *	12/2008	de Groote	D7/597
9,364,806 B2 *	6/2016	King	A47J 36/2411
2004/0065213 A1 *	4/2004	Cheng	A47J 42/06 99/510
2008/0315022 A1 *	12/2008	Wilson	A47J 42/08 241/169.1

* cited by examiner

Primary Examiner — Ricky Pham

(74) *Attorney, Agent, or Firm* — Alston & Bird LLP

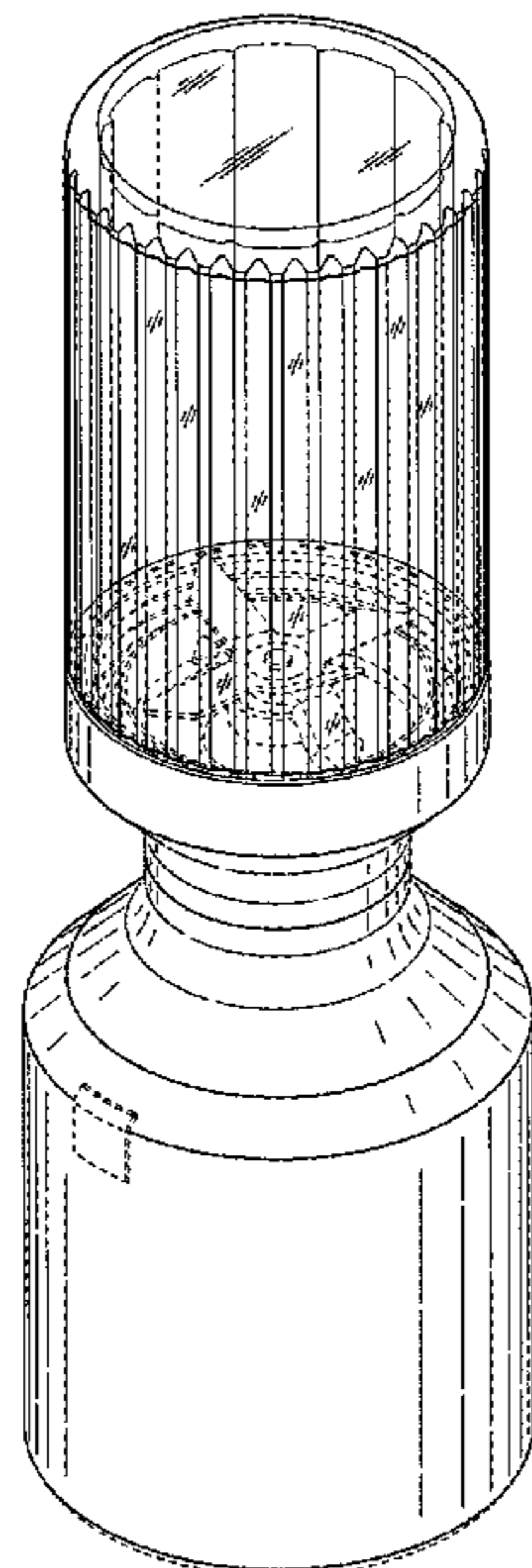
(57) **CLAIM**

I claim the ornamental design for a blender, as shown and described.

DESCRIPTION

FIG. 1 is a front perspective view of the blender.
 FIG. 2 is an exploded front view thereof, showing how the vessel and base separate.
 FIG. 3 is a front view thereof.
 FIG. 4 is a rear view thereof.
 FIG. 5 is a right side elevation view thereof.
 FIG. 6 is a left side elevation view thereof; and,
 FIG. 7 is a top plan view thereof.
 The broken lines shown depict portions of the blender that form no part of the claimed design.
 The bottom of the blender not shown forms no part of the claimed design.

1 Claim, 4 Drawing Sheets



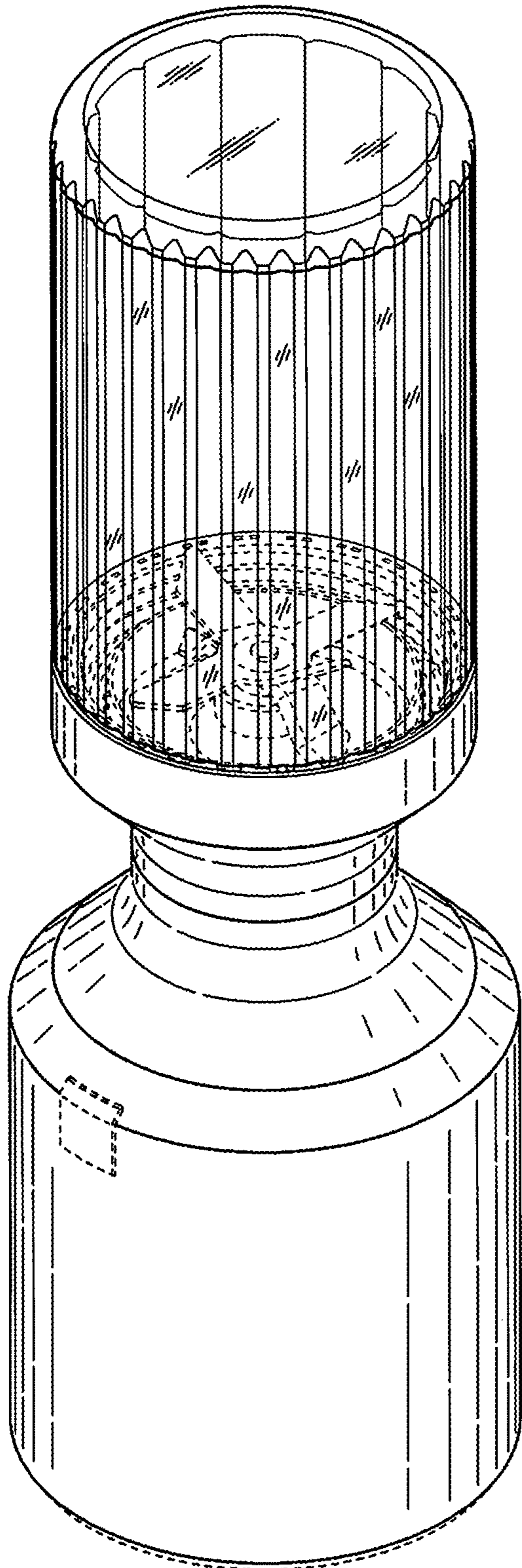


FIG. 1

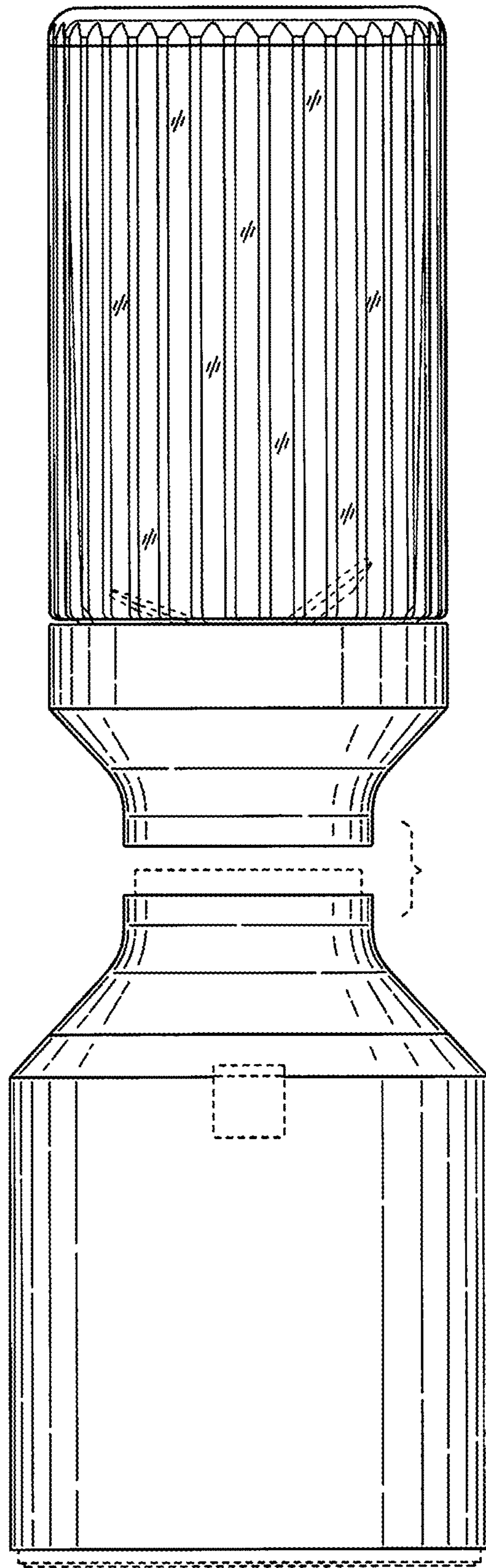


FIG. 2

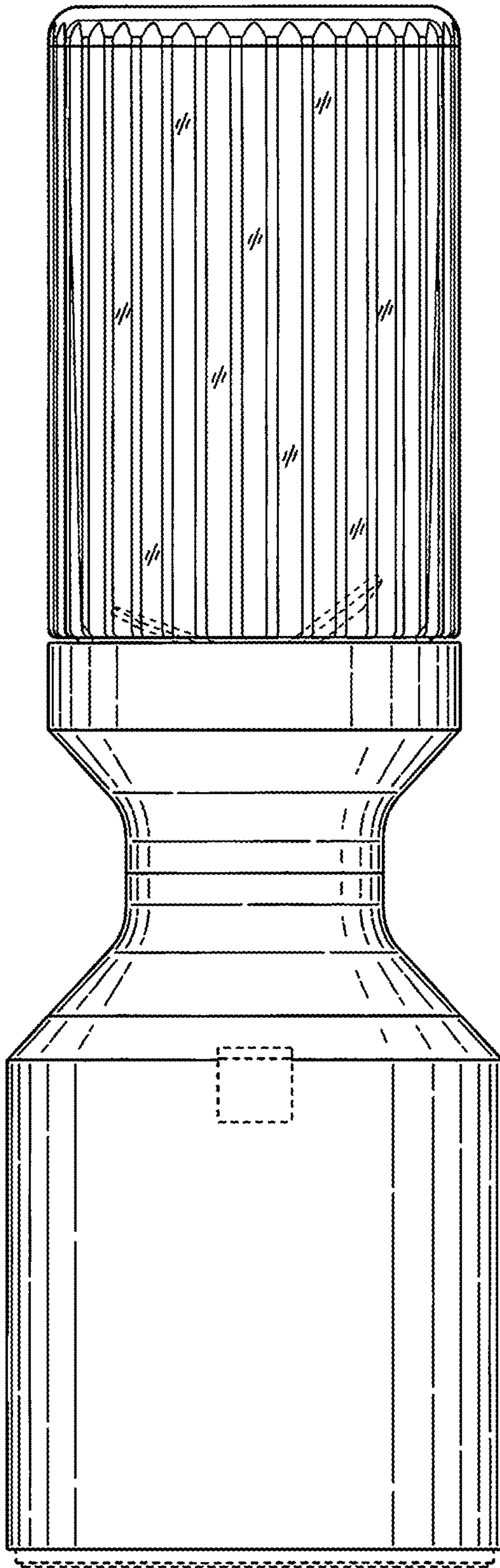


FIG. 3

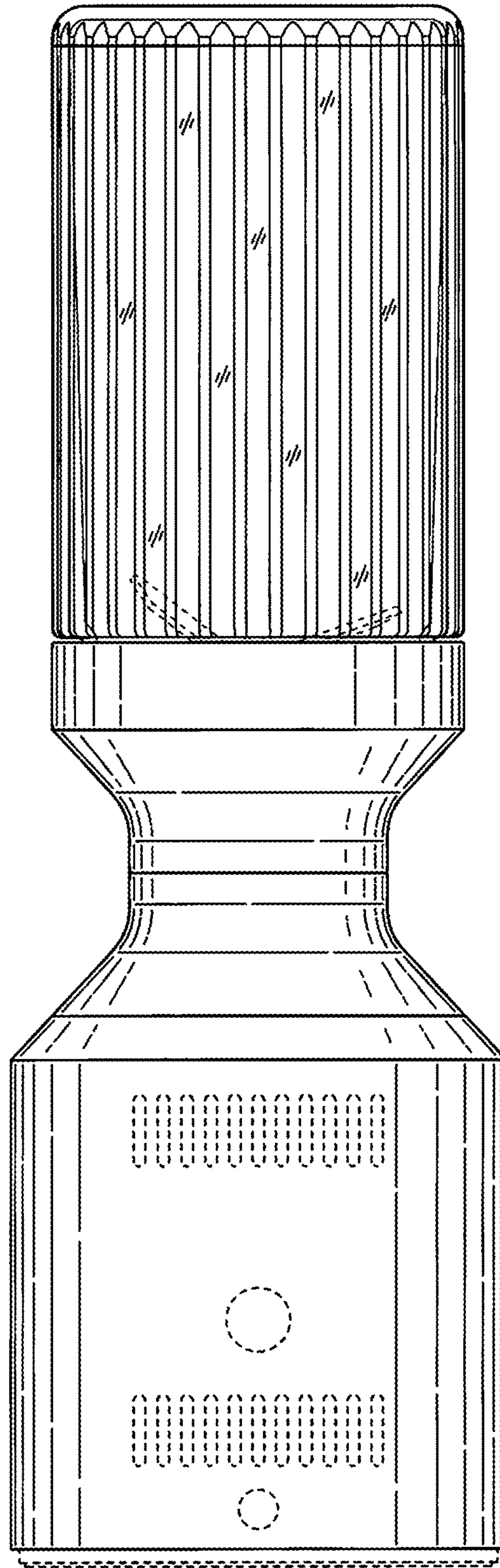


FIG. 4

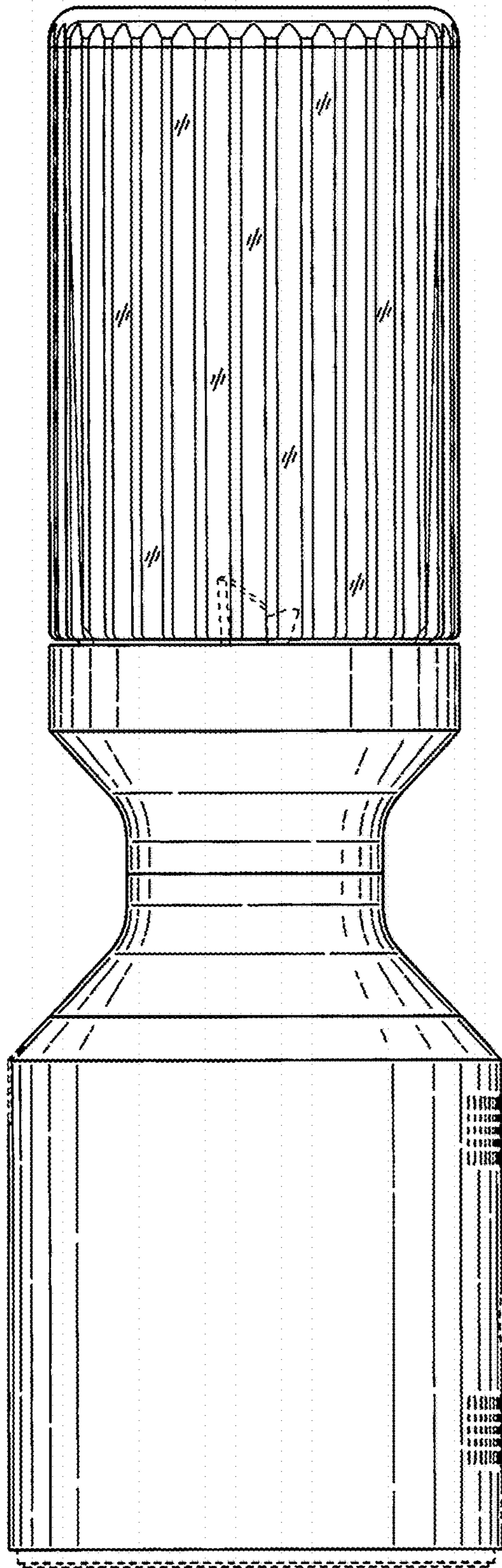


FIG. 5

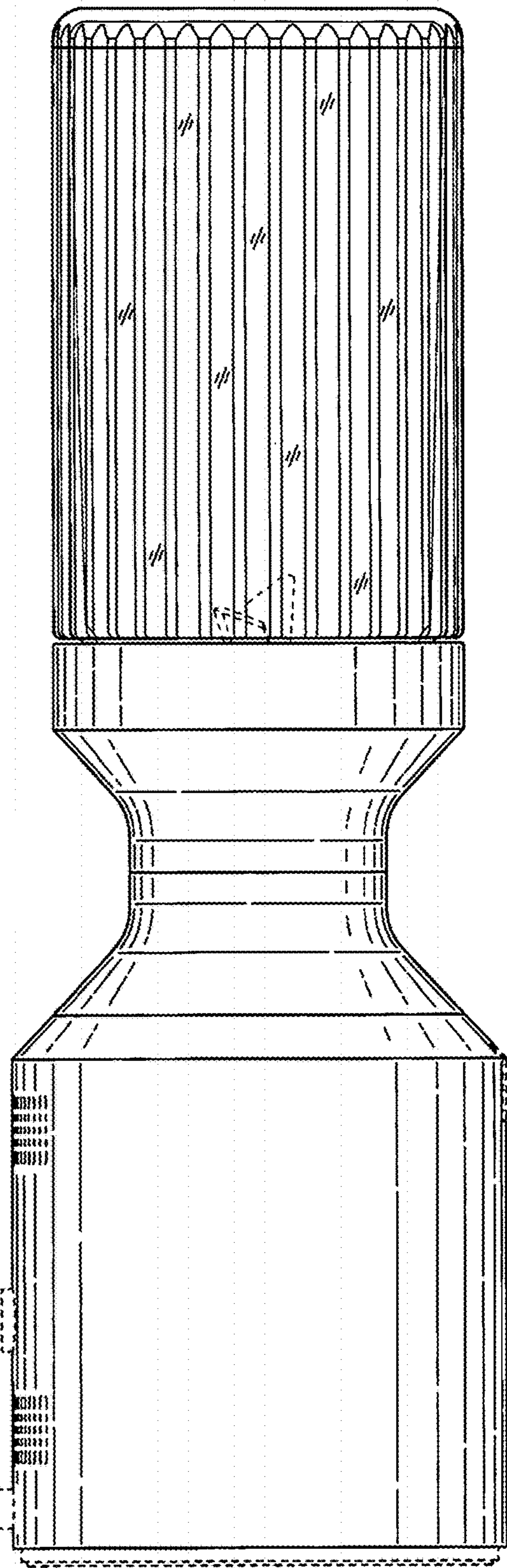


FIG. 6

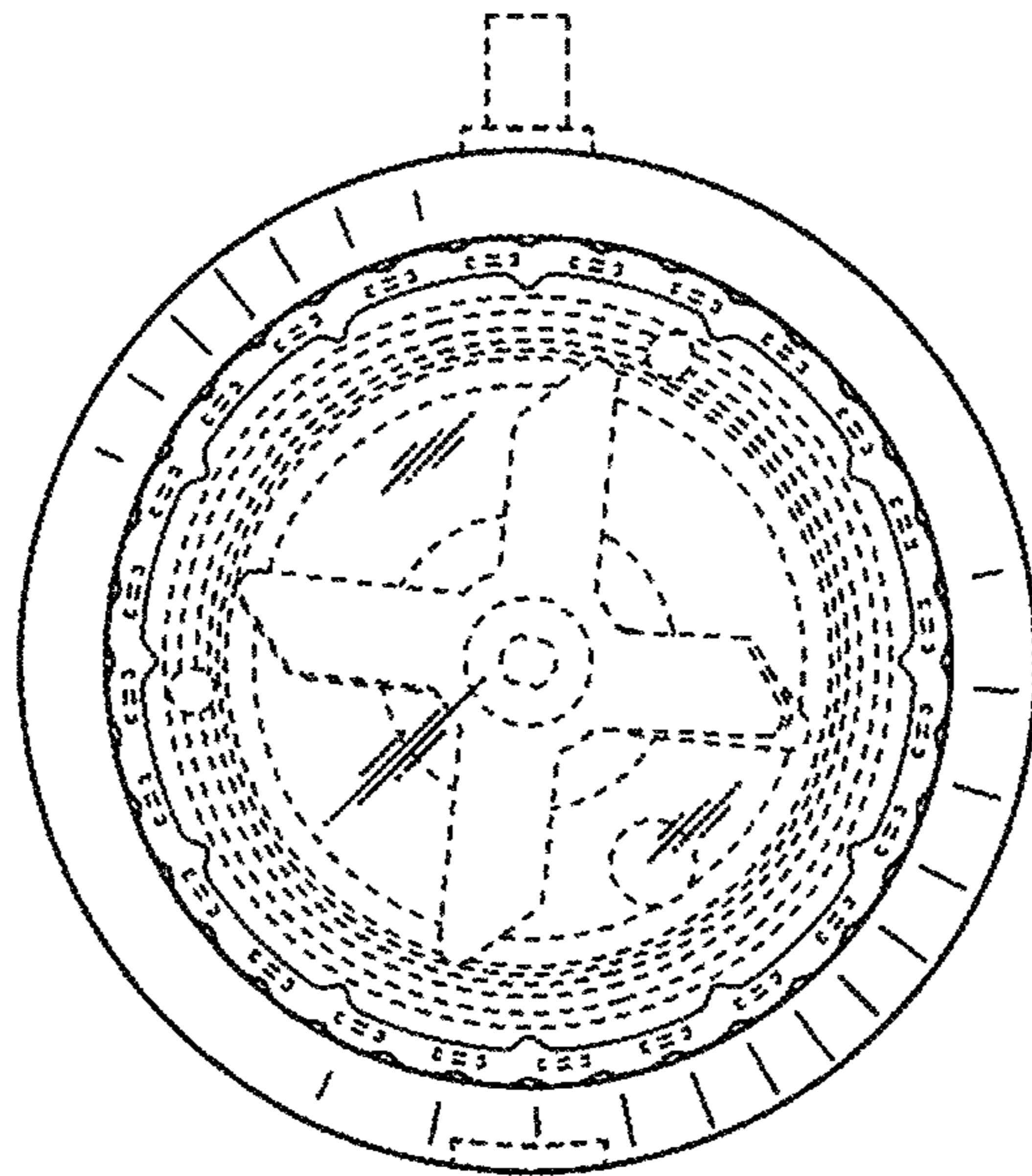


FIG. 7