



US00D905494S

(12) **United States Design Patent**
Potaki et al.

(10) **Patent No.:** **US D905,494 S**

(45) **Date of Patent:** **** Dec. 22, 2020**

- (54) **PORTABLE BLENDER**
- (71) Applicant: **Modern Comfort Home Products LLC**, Wyckoff, NJ (US)
- (72) Inventors: **Stephen J. Potaki**, Wyckoff, NJ (US);
Lourdes R. Potaki, Wyckoff, NJ (US)
- (73) Assignee: **Modern Comfort Home Products LLC**, Wyckoff, NJ (US)
- (**) Term: **15 Years**
- (21) Appl. No.: **29/691,154**
- (22) Filed: **May 14, 2019**
- (51) **LOC (12) Cl.** **31-00**
- (52) **U.S. Cl.**
USPC **D7/378; D7/376; D7/386; D7/412; D7/413**
- (58) **Field of Classification Search**
USPC D7/372, 376-386, 412-413, 602, 629, D7/665-666, 669, 679, 693-694
CPC A21C 1/02; A21C 1/04; A23N 1/00; A23N 1/02; A47G 19/2205; A47J 43/04; A47J 43/25; A47J 43/27; A47J 43/042; A47J 43/044; A47J 43/046; A47J 43/075; A47J 43/0722; A47J 43/0727; B01F 3/00; B01F 3/0807; B01F 3/0853; B01F 13/0059; B01F 13/0064; B02C 1/08; B02C 2/04; B02C 4/42; B02C 4/142; B02C 4/143; B02C 4/423; B02C 13/1835; B28C 5/10; B28C 5/12; B28C 5/14; B28C 5/16; F21V 33/00
See application file for complete search history.

3,537,691	A *	11/1970	Miyoshi	A47J 43/046
				241/282.2
5,720,552	A *	2/1998	Schindlegger	A47G 19/2205
				366/197
D446,692	S *	8/2001	Bodum	D7/679
D465,127	S *	11/2002	Lee	D7/378
D479,666	S *	9/2003	Barker	D7/378
D603,215	S *	11/2009	Hollinger	D7/378
D642,859	S *	8/2011	Cozzolino	D7/381
D667,703	S *	9/2012	Ramirez	D7/665
D670,958	S *	11/2012	Picozza	D7/386
D782,866	S *	4/2017	Suess	D7/378
D829,042	S *	9/2018	Duan	D7/378

* cited by examiner

Primary Examiner — Ricky Pham

(74) *Attorney, Agent, or Firm* — Myers Wolin, LLC

(57) **CLAIM**

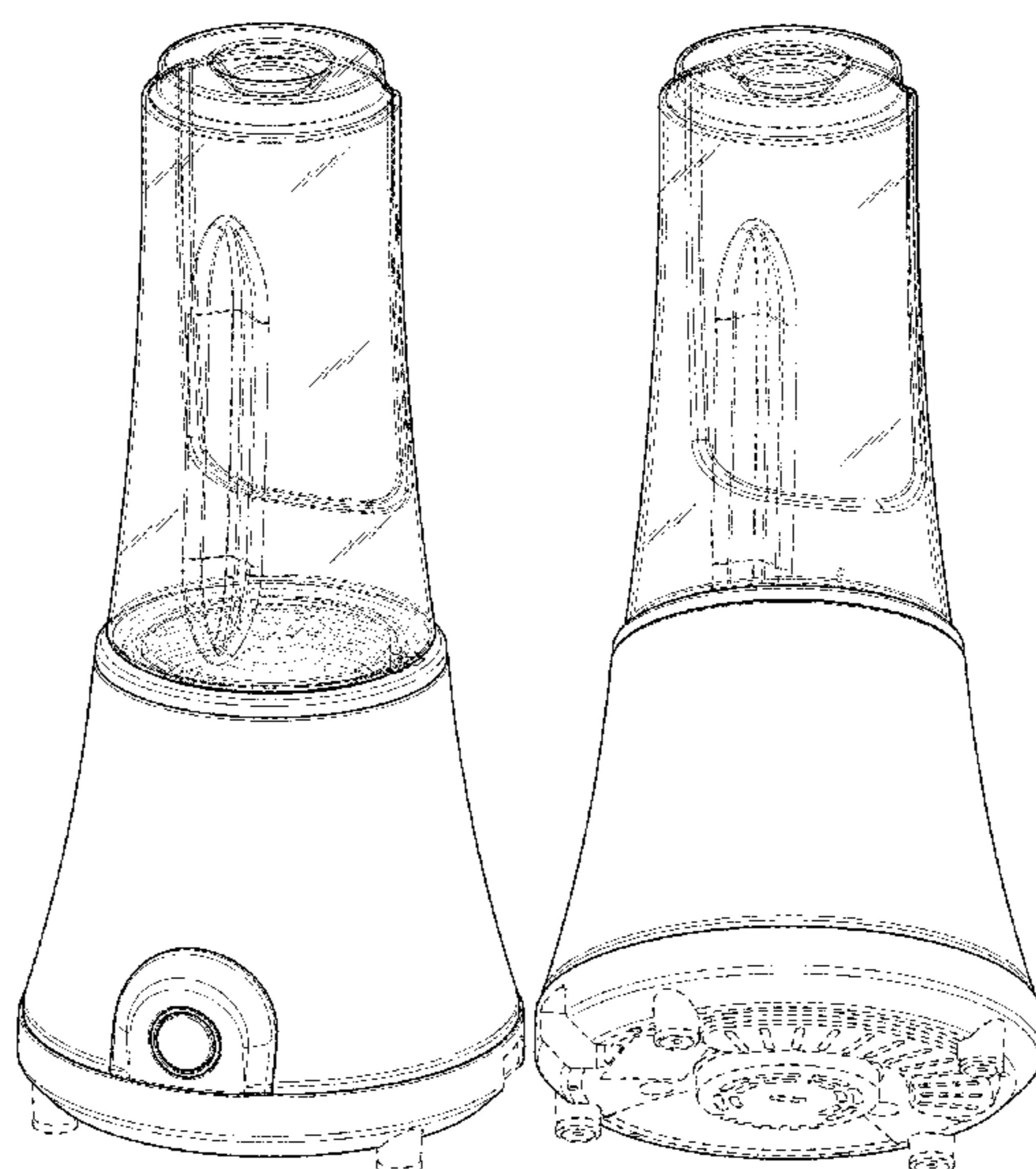
The ornamental design for a portable blender, as shown and described.

DESCRIPTION

FIG. 1 is a front perspective view of a portable blender showing our new design;
 FIG. 2 is a rear perspective view thereof;
 FIG. 3 is a front elevation view thereof;
 FIG. 4 is a rear elevation view thereof;
 FIG. 5 is a left side elevation view thereof;
 FIG. 6 is a right side elevation view thereof;
 FIG. 7 is a top view thereof; and,
 FIG. 8 is a bottom view thereof.
 The dotted lines are for illustrative purposes only and form no part of the claimed design.

1 Claim, 5 Drawing Sheets

- (56) **References Cited**
U.S. PATENT DOCUMENTS
2,604,573 A * 7/1952 Baile F21V 33/00
219/473
D199,888 S * 12/1964 Dewenter D7/378



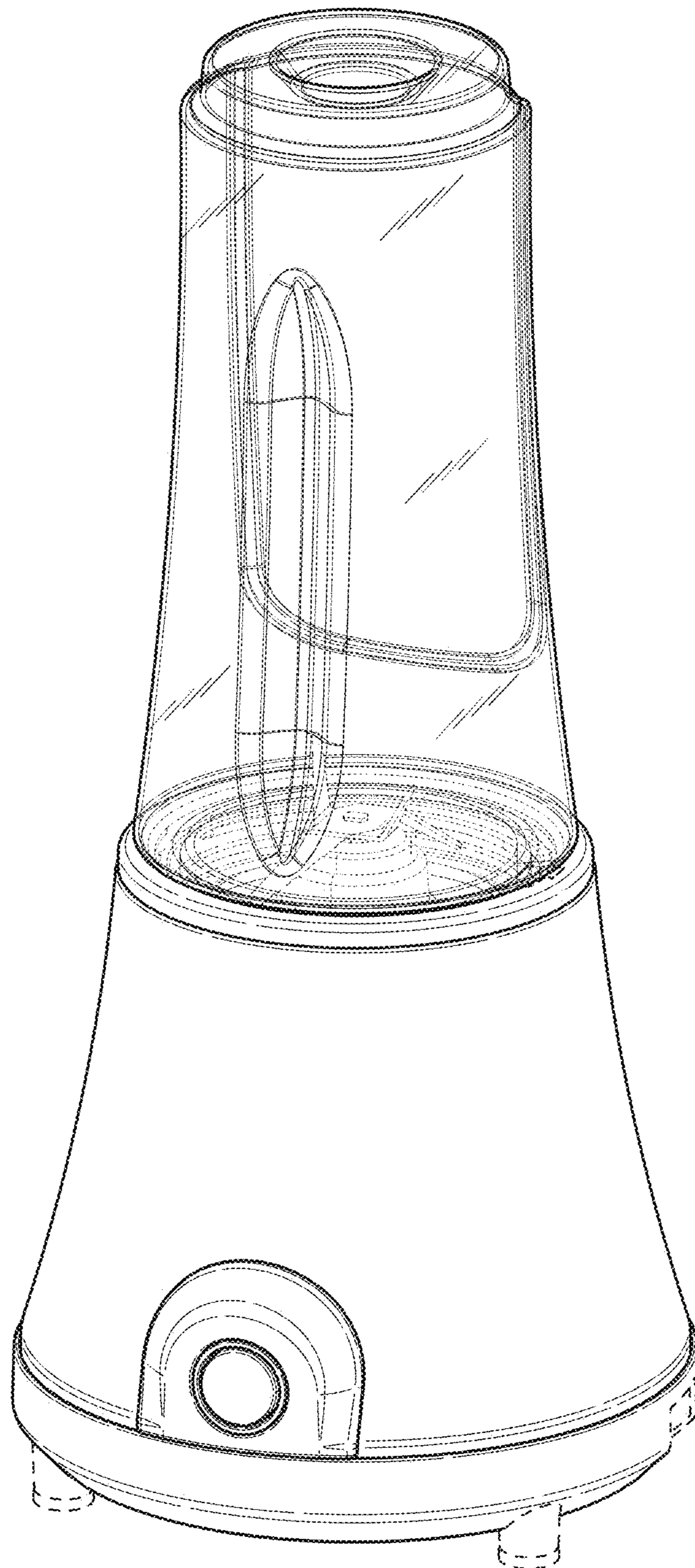


FIG. 1

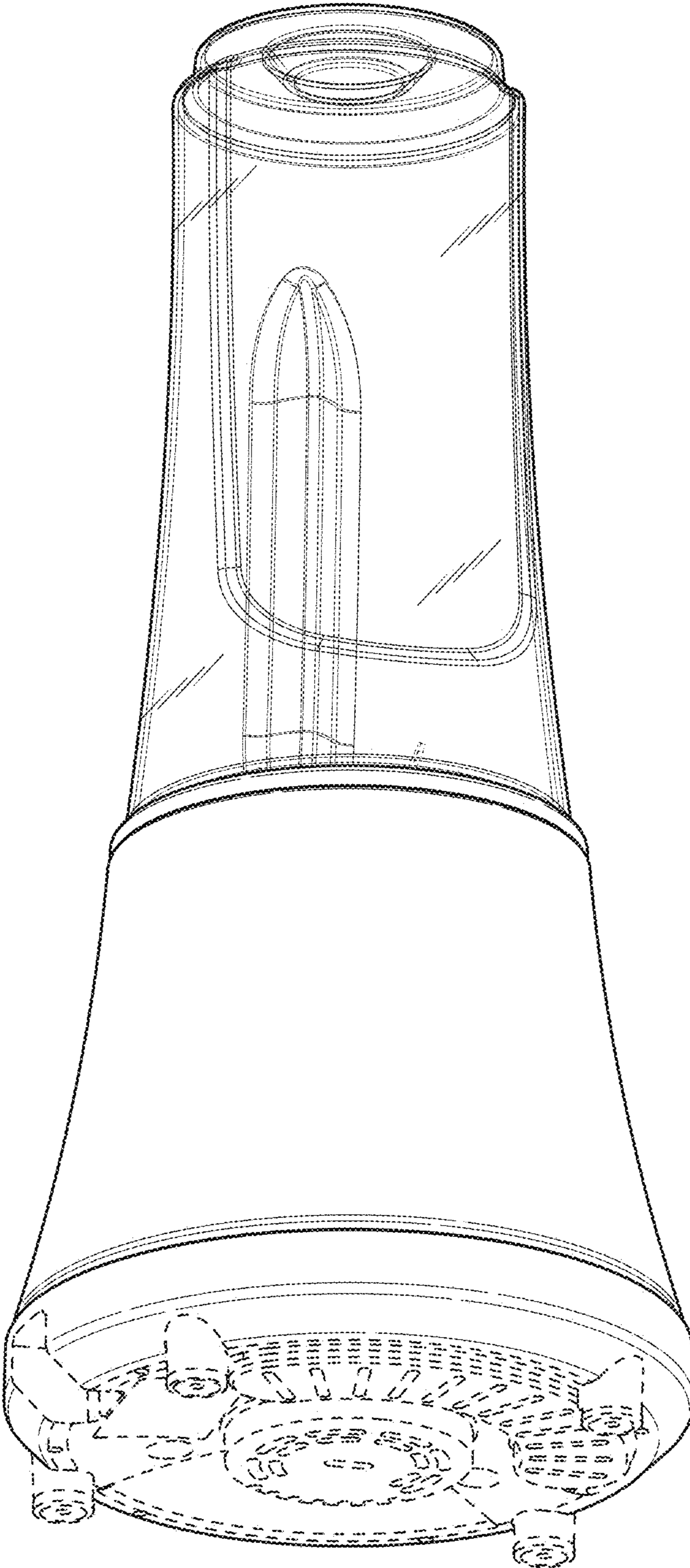


FIG. 2

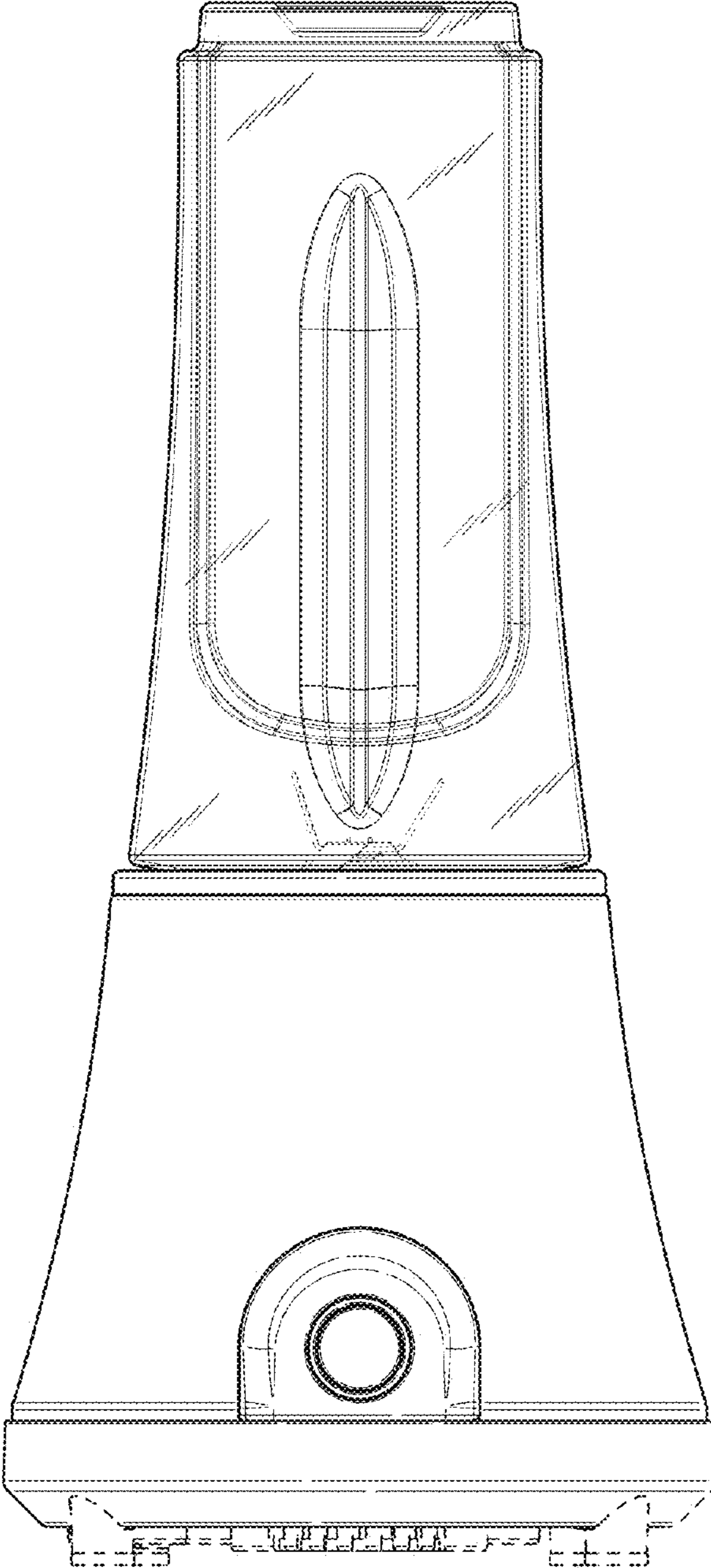


FIG. 3

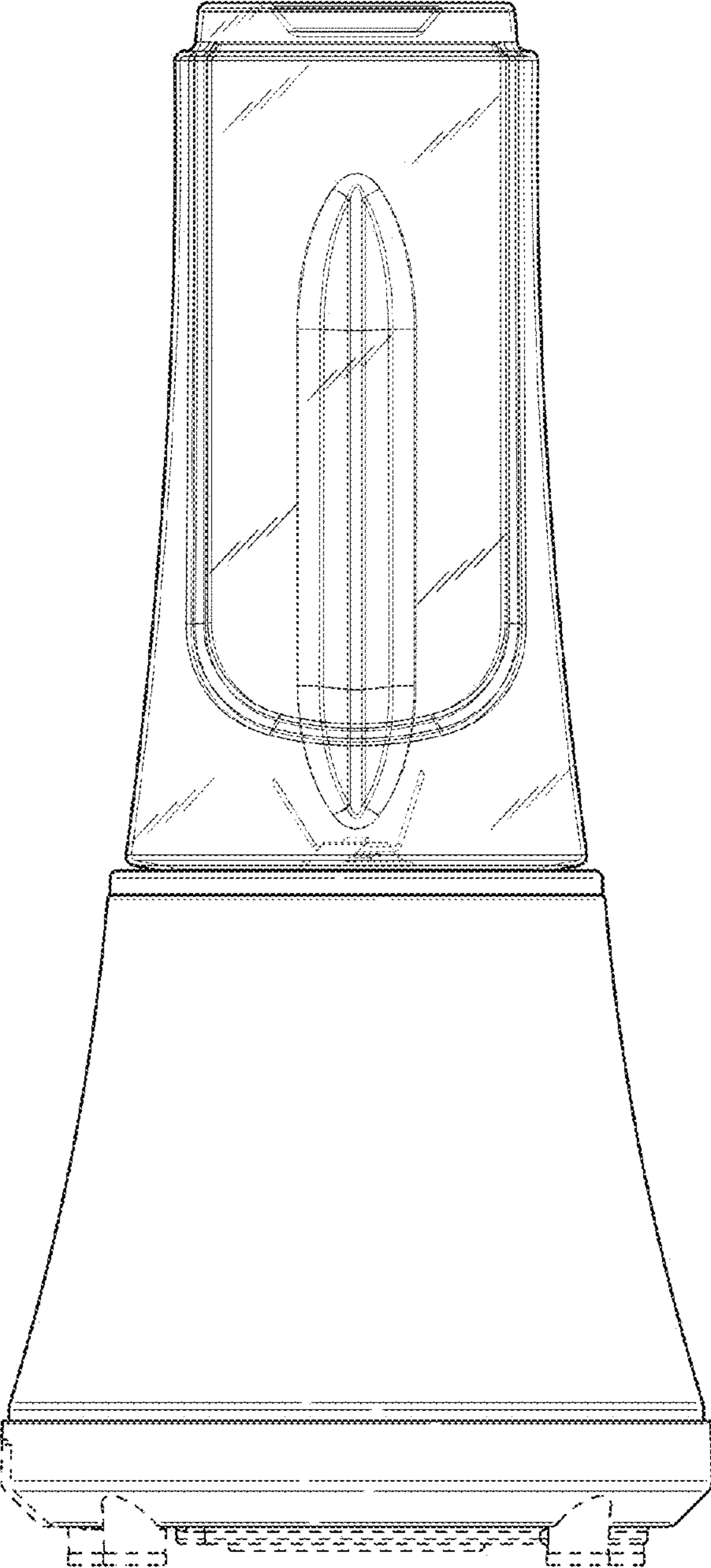


FIG. 4

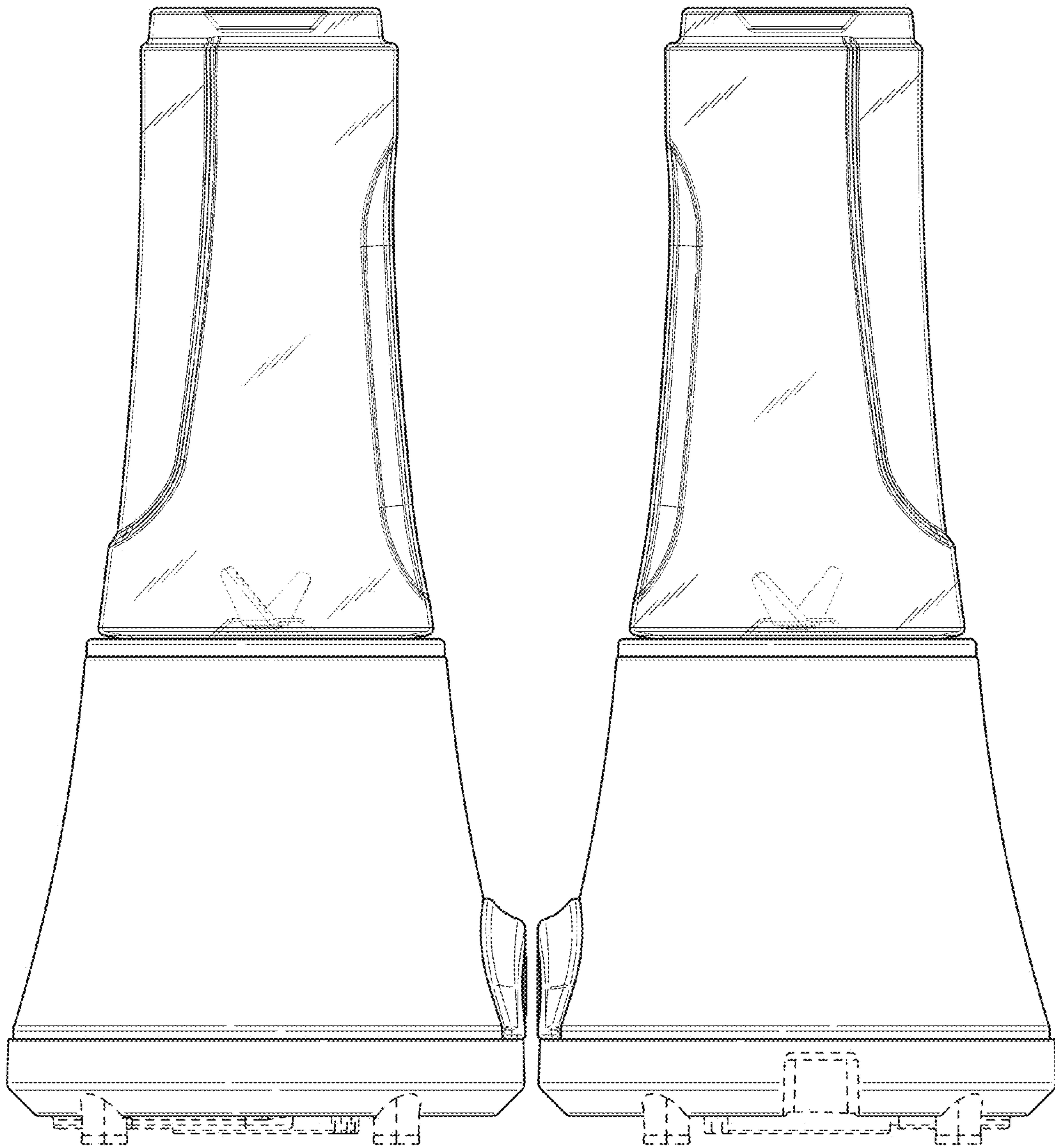


FIG. 5

FIG. 6

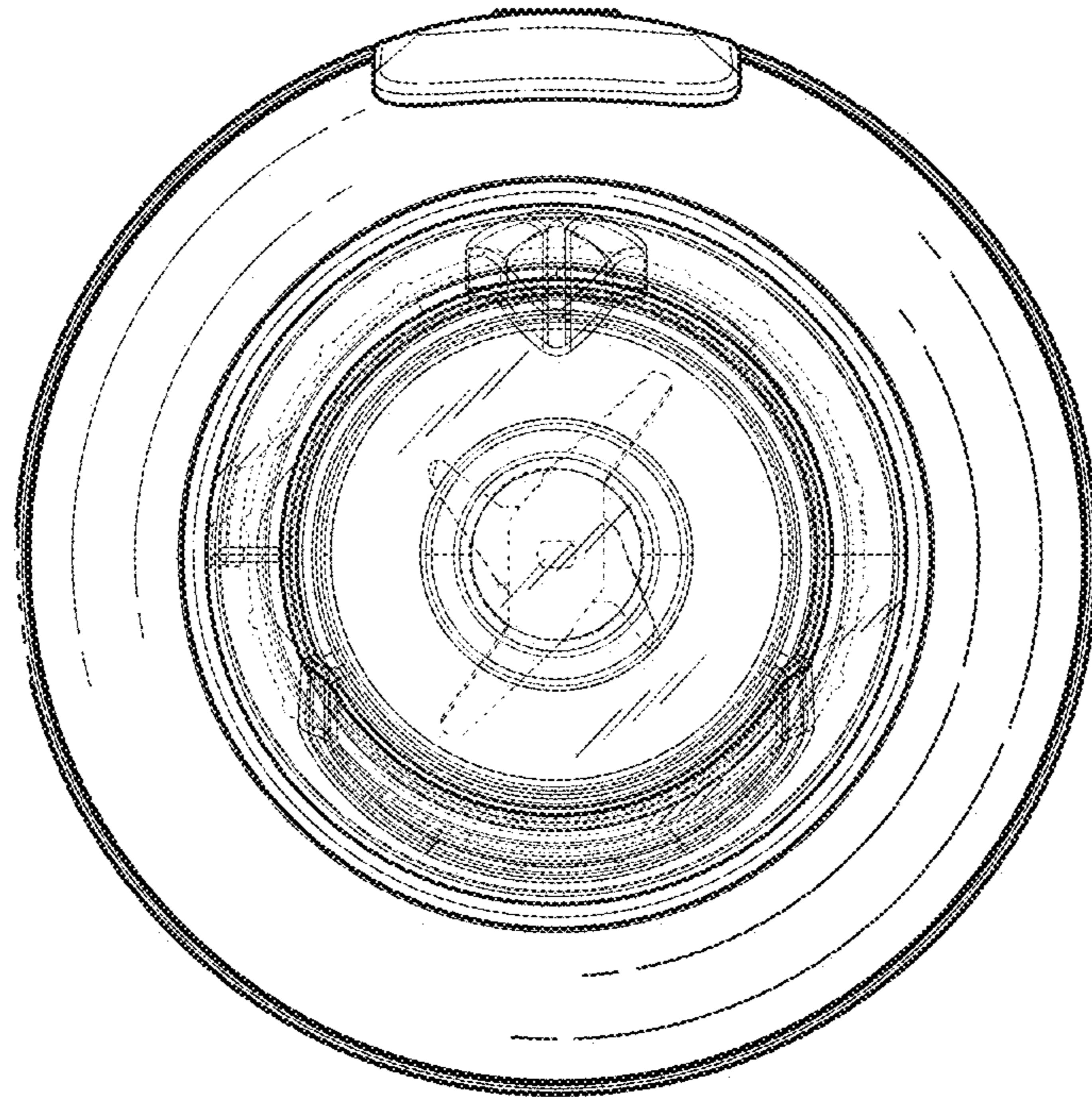


FIG. 7

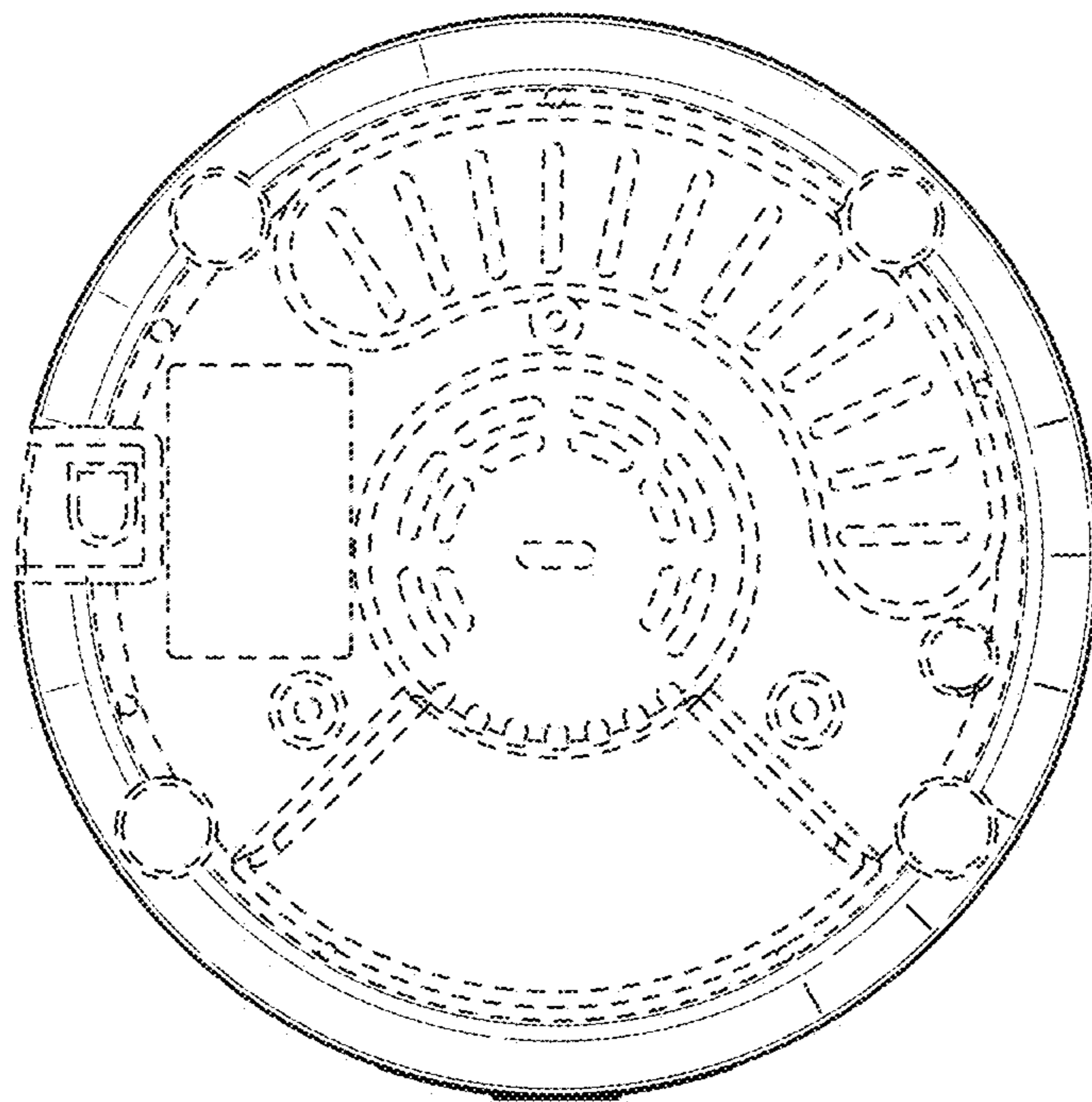


FIG. 8