



US00D905493S

(12) **United States Design Patent** (10) **Patent No.:** **US D905,493 S**
Ye (45) **Date of Patent:** **** Dec. 22, 2020**

(54) **BLENDER**

(71) Applicant: **Hamilton Beach Brands, Inc.**, Glen Allen, VA (US)

(72) Inventor: **Guoyao Ye**, Glen Allen, VA (US)

(73) Assignee: **Hamilton Beach Brands, Inc.**, Glen Allen, VA (US)

(**) Term: **15 Years**

(21) Appl. No.: **29/680,070**

(22) Filed: **Feb. 13, 2019**

(51) **LOC (12) Cl.** **31-00**

(52) **U.S. Cl.**
USPC **D7/378**

(58) **Field of Classification Search**
USPC D7/306, 309, 372, 374, 376, 377, 378, D7/379, 380, 381, 383, 384, 385, 386, D7/412, 413, 598, 694, 669, 679
CPC .. A47J 43/04; A47J 43/25; A47J 43/27; A47J 43/042; A47J 43/044; A47J 43/046; A47J 43/075; A47J 43/0722; A47J 43/0727; A47J 42/40; A21C 1/02; A21C 1/04; A23G 9/045; A23N 1/00; A23N 1/02; B01F 3/00; B01F 3/0807; B01F 3/0853; B01F 13/0059; B01F 13/0064; B02C 1/08; B02C 2/04; B02C 4/42; B02C 4/142; B02C 4/143; B02C 4/423; B02C 13/1835; B28C 5/10; B28C 5/12; B28C 5/14; B28C 5/16

See application file for complete search history.

(56) **References Cited**

U.S. PATENT DOCUMENTS

D498,642 S * 11/2004 Huang D7/378
D538,595 S * 3/2007 White D7/413
D621,656 S * 8/2010 Ulanski D7/378

D625,141 S * 10/2010 Moore D7/376
D761,617 S * 7/2016 Dennisur D7/376
D772,009 S * 11/2016 McConnell D7/376
D844,374 S * 4/2019 McConnell D7/386
D851,982 S * 6/2019 DeLeo D7/378
D874,869 S * 2/2020 McConnell D7/386
D880,239 S * 4/2020 McConnell D7/413
2012/0024993 A1* 2/2012 Audette A47J 43/0766
241/30
2018/0310769 A1* 11/2018 Kim A47J 43/0716
2018/0338643 A1* 11/2018 Hammond A47J 43/046

OTHER PUBLICATIONS

Hamilton Beach® Professional 1500 Watt Peak Power Quiet Blender, announced © 2020 [online], retrieved Jun. 30, 2020, retrieved from internet, <https://www.hamiltonbeach.com/hamilton-beach-professional-1500-watt-peak-power-quiet-blender-58870>.*

* cited by examiner

Primary Examiner — Dana K Weiland
Assistant Examiner — Messina L Smith

(74) *Attorney, Agent, or Firm* — Alexander D. Raring

(57) **CLAIM**

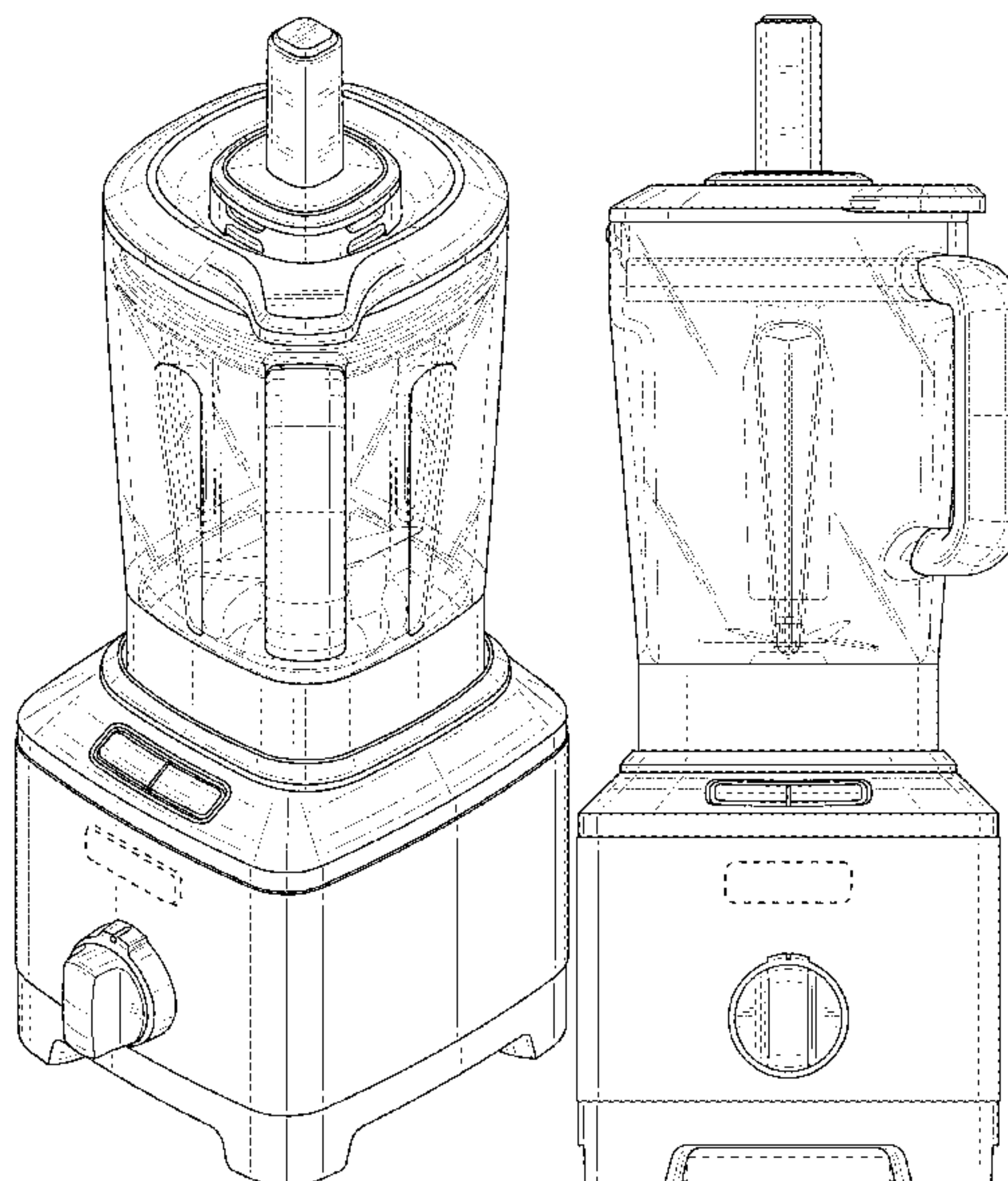
The ornamental design for a blender, as shown and described.

DESCRIPTION

FIG. 1 is a top, front, and right side perspective view of a blender, showing the new design;
FIG. 2 is front view thereof;
FIG. 3 is a rear view thereof;
FIG. 4 is a left side view thereof;
FIG. 5 is a right side view thereof;
FIG. 6 is a top view thereof; and,
FIG. 7 is a bottom view thereof.

The broken lines shown in the drawings depict portions of the blender that form no part of the claimed design.

1 Claim, 7 Drawing Sheets



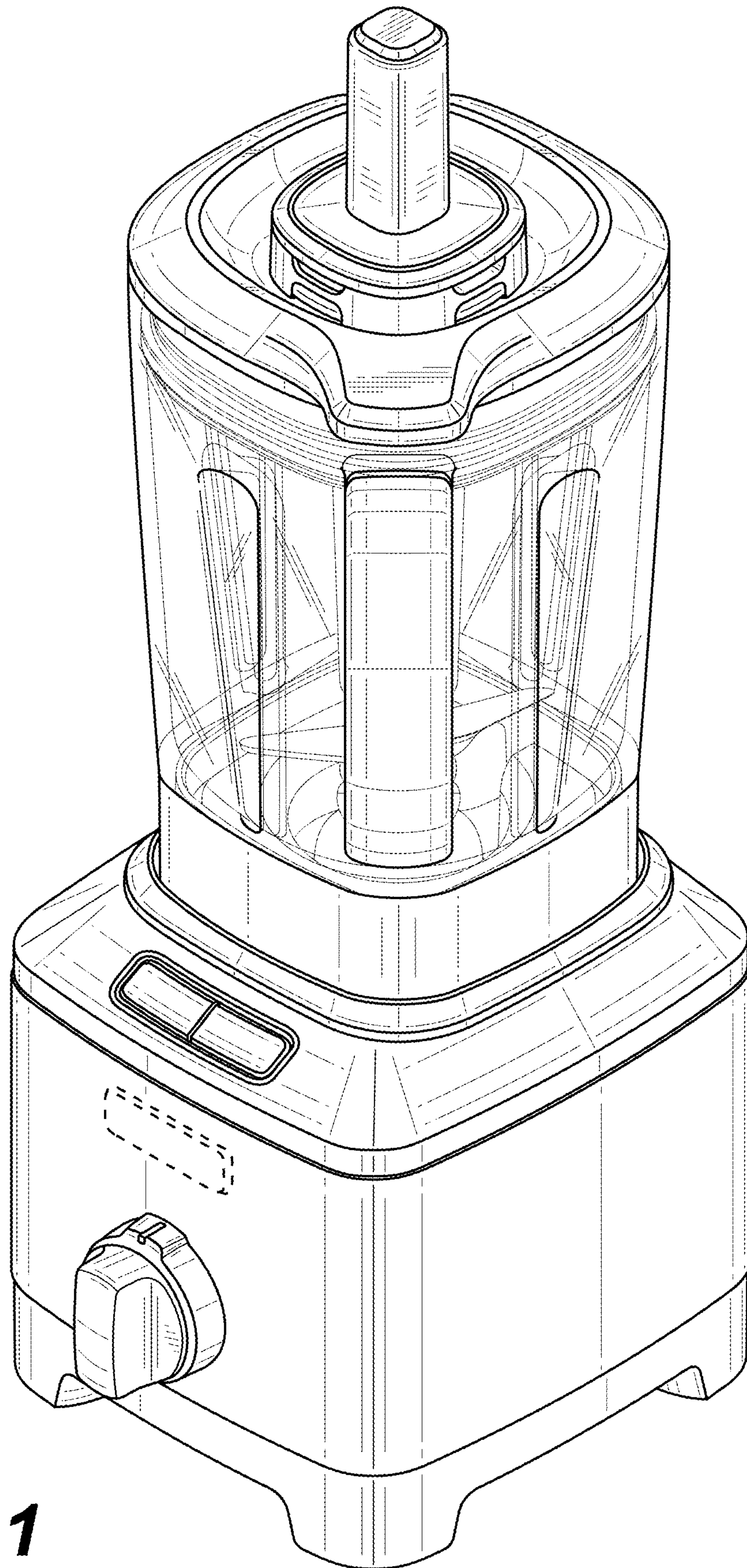


FIG. 1

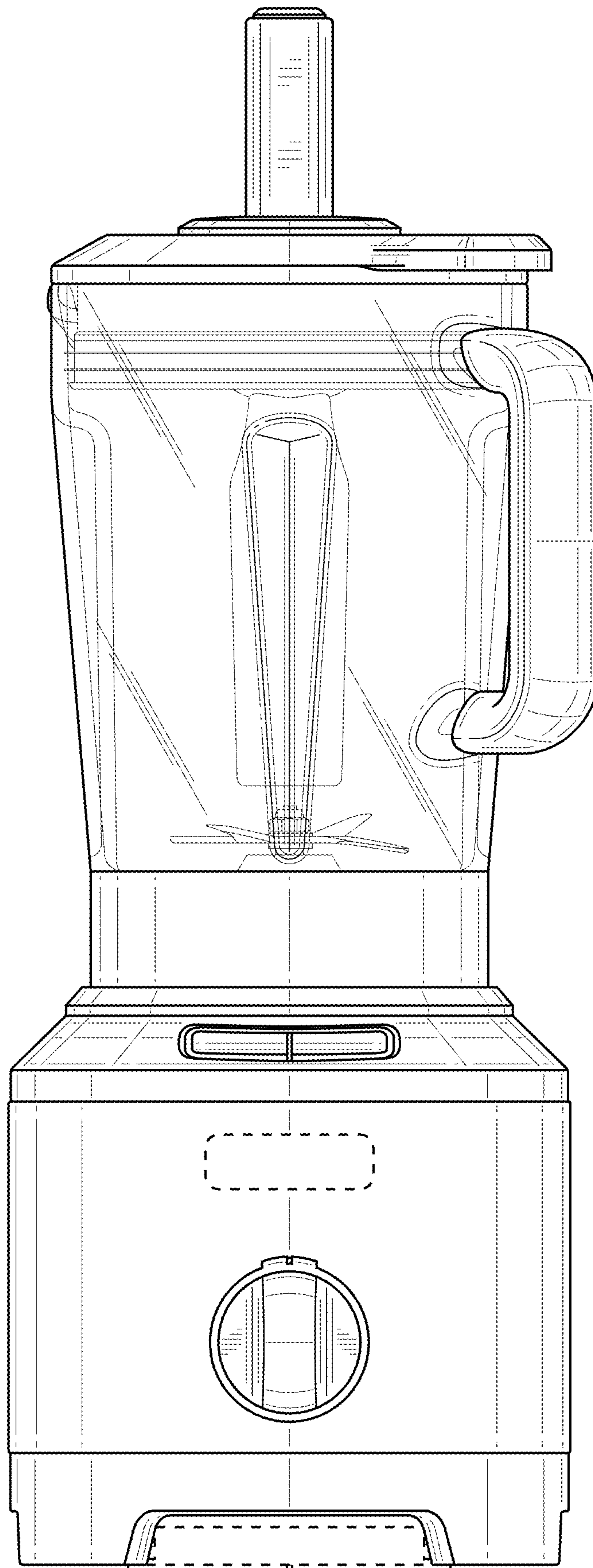


FIG. 2

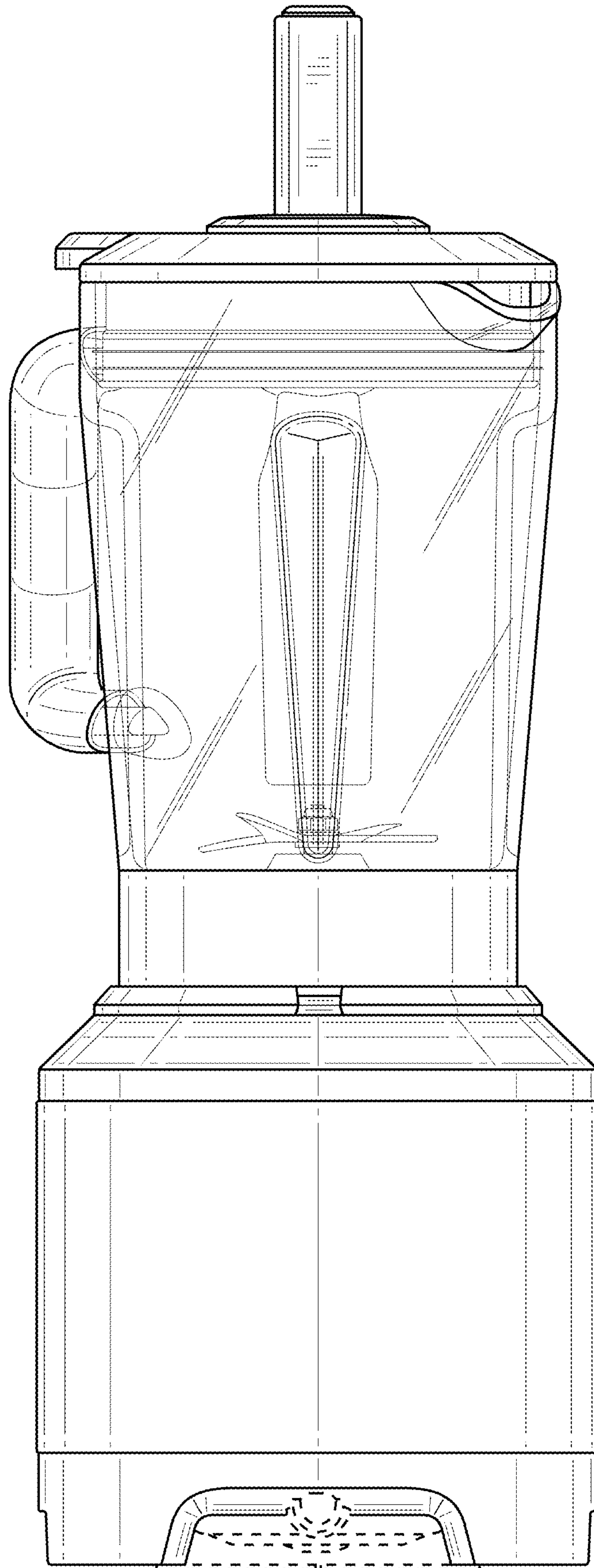


FIG. 3

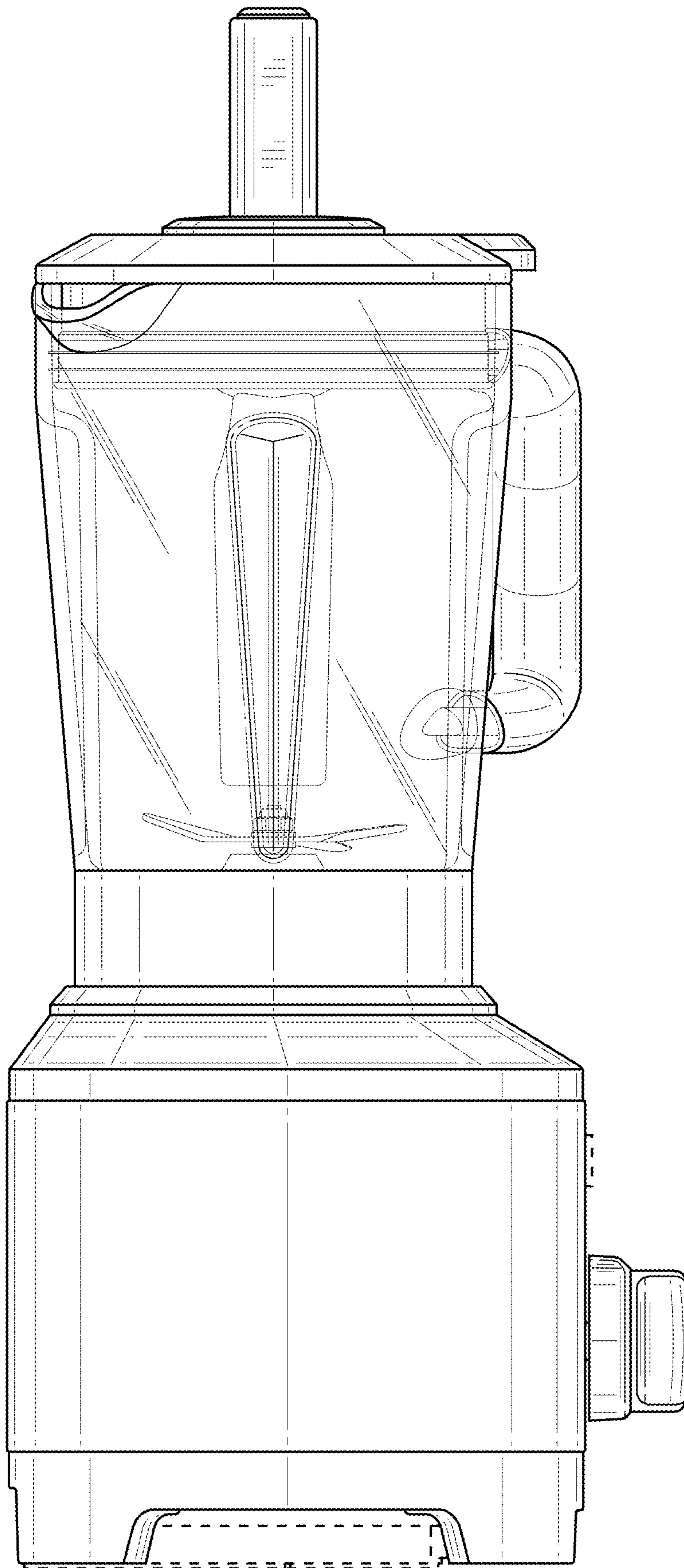


FIG. 4

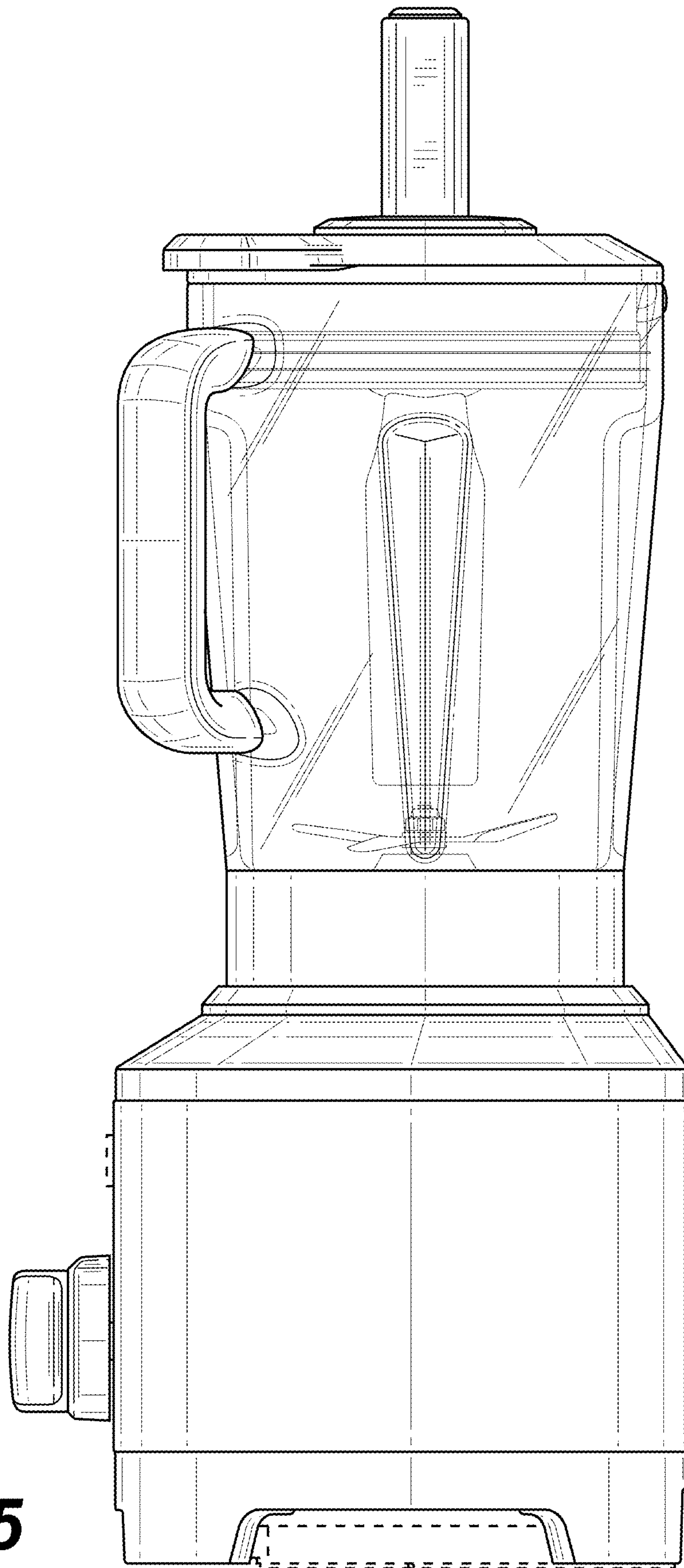


FIG. 5

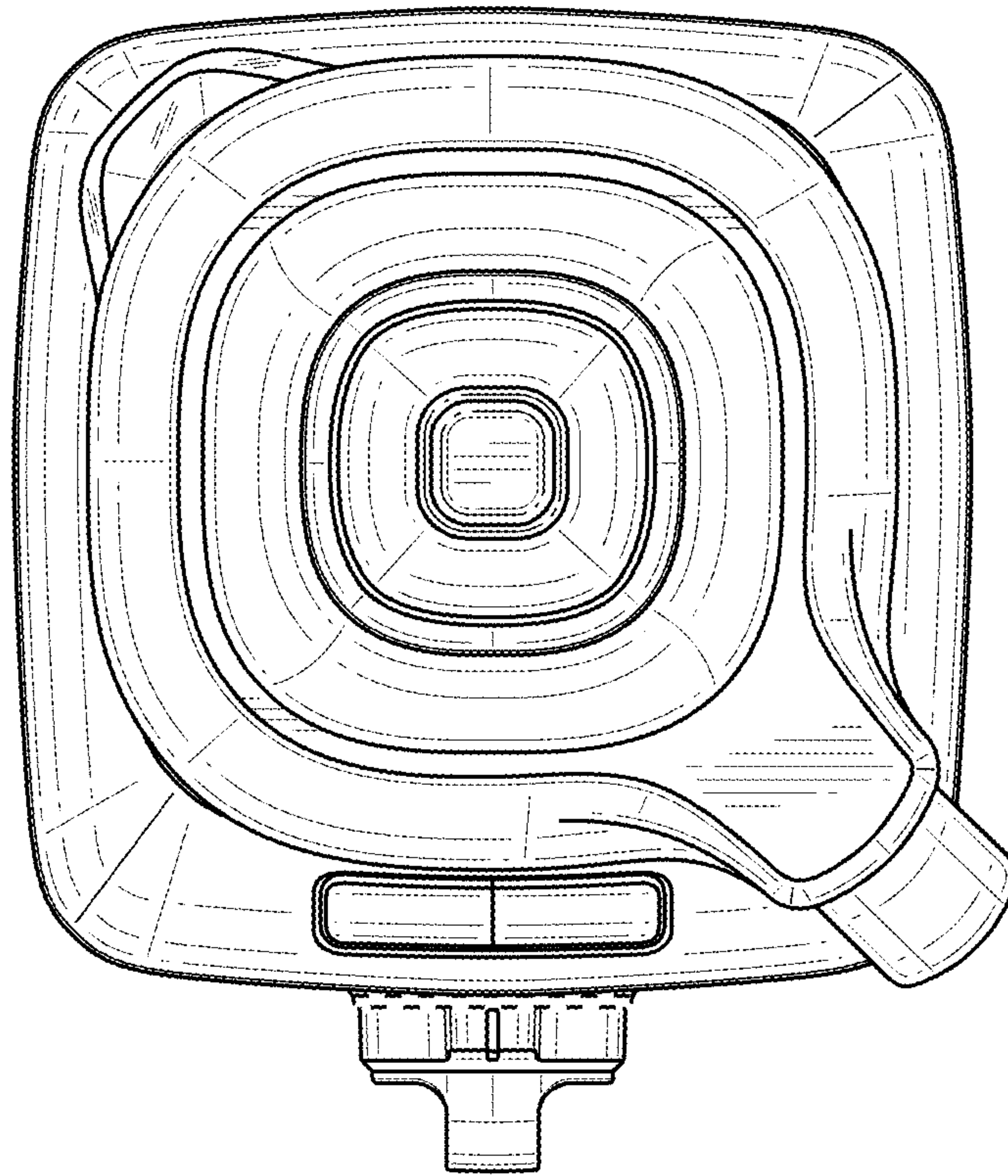


FIG. 6

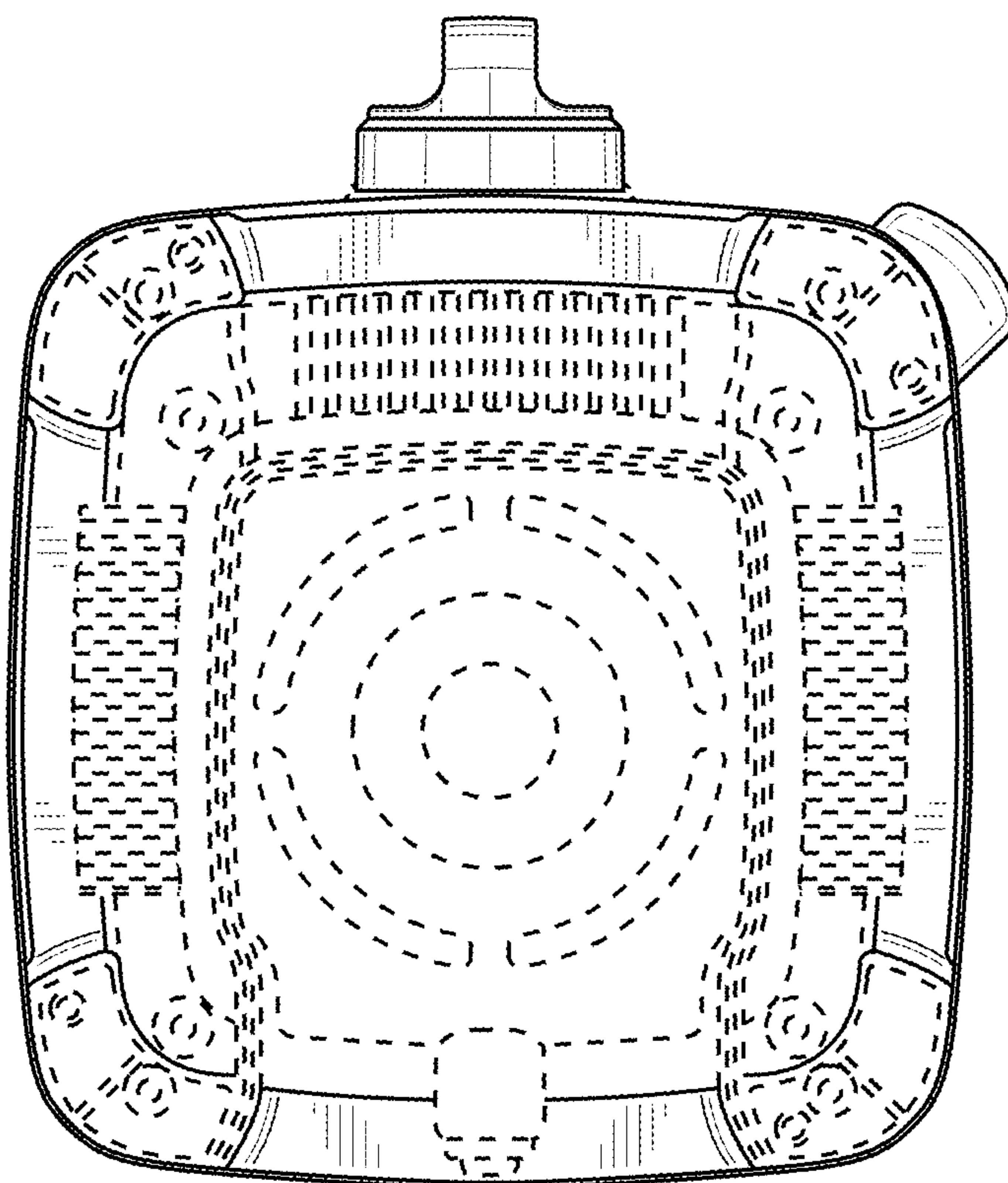


FIG. 7