



US00D905492S

(12) **United States Design Patent** (10) **Patent No.:** **US D905,492 S**
Sugiyama (45) **Date of Patent:** **** Dec. 22, 2020**

(54) **COFFEE GRINDER**
(71) Applicant: **HARIO Co., Ltd.**, Tokyo (JP)
(72) Inventor: **Yuki Sugiyama**, Tokyo (JP)
(73) Assignee: **HARIO CO., LTD.**, Tokyo (JP)
(**) Term: **15 Years**

D862,998 S * 10/2019 Tu D7/679
D866,246 S * 11/2019 Zhu D7/380
D867,657 S * 11/2019 Fornarelli D27/194
D870,375 S * 12/2019 Patil D27/194
D873,601 S * 1/2020 Sirju D7/378
2004/0211848 A1* 10/2004 Mulle A47J 42/40
241/36
2018/0043114 A1* 2/2018 Bowen A61M 15/003
2020/0237156 A1* 7/2020 Brouillac A47J 42/04

(21) Appl. No.: **29/703,395**
(22) Filed: **Aug. 27, 2019**
(30) **Foreign Application Priority Data**

Jun. 25, 2019 (JP) 2019-014056
(51) **LOC (12) Cl.** **31-00**
(52) **U.S. Cl.**
USPC **D7/373**
(58) **Field of Classification Search**
USPC D7/309, 372, 373, 374, 376, 377, 378,
D7/381, 382, 383, 385, 412, 414, 678,
D7/669, 679; D27/194, 195
CPC .. A47J 42/00; A47J 42/02; A47J 42/04; A47J
42/06; A47J 42/08; A47J 42/10; A47J
42/12; A47J 42/14; A47J 42/16; A47J
42/22; A47J 42/32; A47J 42/38; A47J
42/52; A23F 5/08; A22C 5/00; A22C
7/00; A22C 9/00; A22C 17/00; A22C
17/0006; A22C 17/004

See application file for complete search history.

(56) **References Cited**
U.S. PATENT DOCUMENTS

D347,764 S * 6/1994 Cohen D7/591
D349,432 S * 8/1994 Kibbe D26/38
D560,976 S * 2/2008 Ben Shlomo D7/590
D754,377 S * 4/2016 Nook D26/38
9,427,022 B2* 8/2016 Levin A24F 47/008
D776,494 S * 1/2017 Carr D7/669
D834,702 S * 11/2018 Evans D24/110
D834,744 S * 11/2018 Zhu D27/101

OTHER PUBLICATIONS

Hario Smart Mill, announced Mar. 24, 2020 [online], retrieved Aug. 12, 2020, retrieved from internet, <https://www.youtube.com/watch?v=nQTObsPOpK0&feature=youtu.be>.
Hario Smart G Electric Handy Coffee Grinder, announced Mar. 24, 2020 [online], retrieved Aug. 12, 2020, retrieved from internet, <https://www.amazon.com/HARIO-Electric-EMSG-2B%E3%80%90Japan-Domestic-Products%E3%80%91%E3%80%90Ships/dp/B082TSYWRN>.

* cited by examiner

Primary Examiner — Dana K Weiland
Assistant Examiner — Messina L Smith
(74) *Attorney, Agent, or Firm* — Potomac Law Group, PLLC; George Dolina

(57) **CLAIM**

The ornamental design for a coffee grinder, as shown and described.

DESCRIPTION

FIG. 1 is a front perspective view of a coffee grinder showing the new design;
FIG. 2 is a rear perspective view thereof;
FIG. 3 is a front view thereof;
FIG. 4 is a rear view thereof;
FIG. 5 is a top view thereof;
FIG. 6 is a bottom view thereof;
FIG. 7 is a left-side view thereof; and,
FIG. 8 is a right-side view thereof.

1 Claim, 7 Drawing Sheets

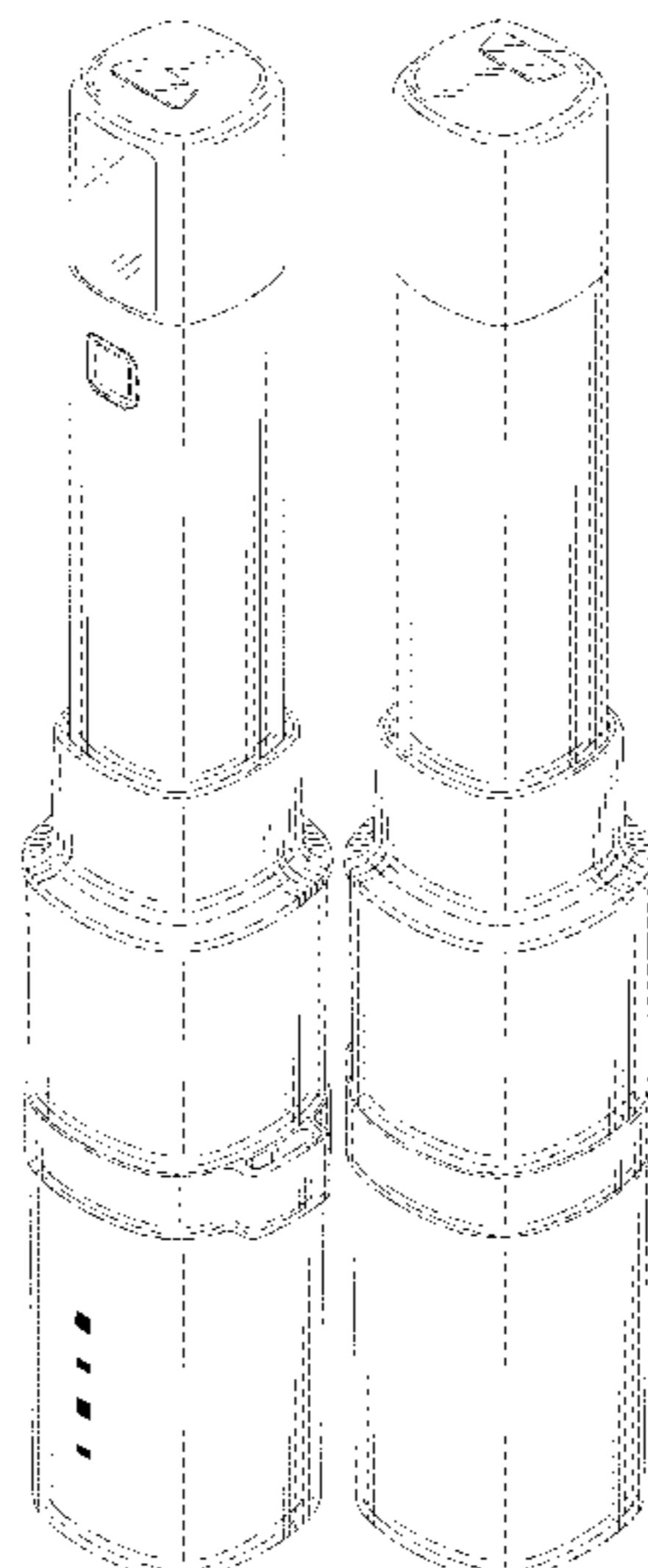


Fig. 1

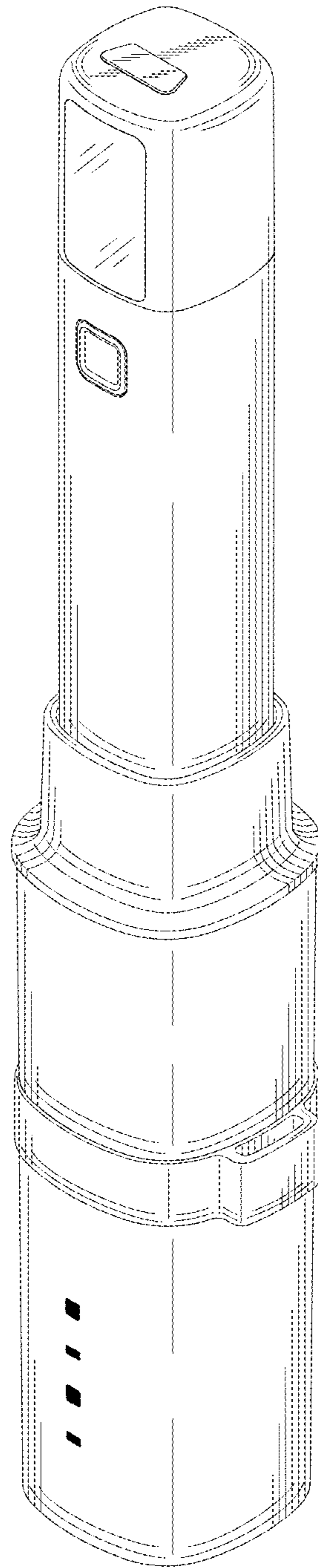


Fig. 2

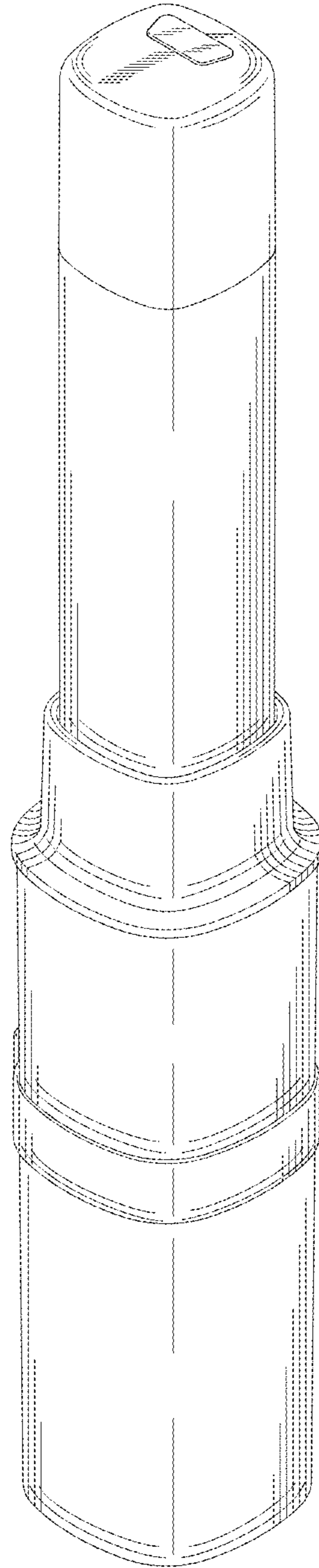


Fig. 3

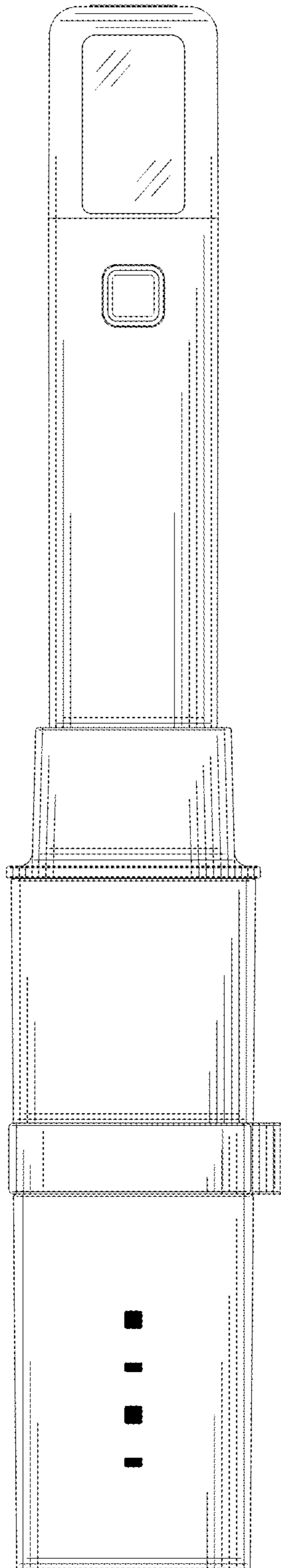


Fig. 4

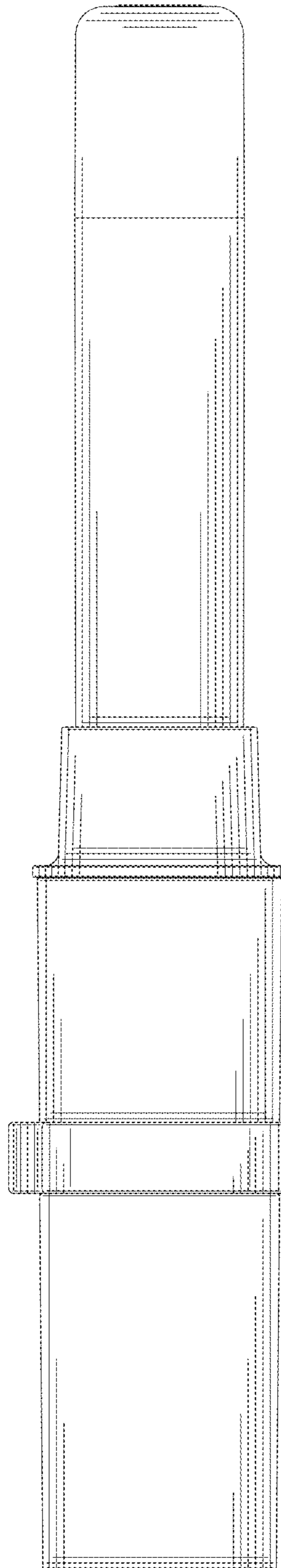


Fig. 5

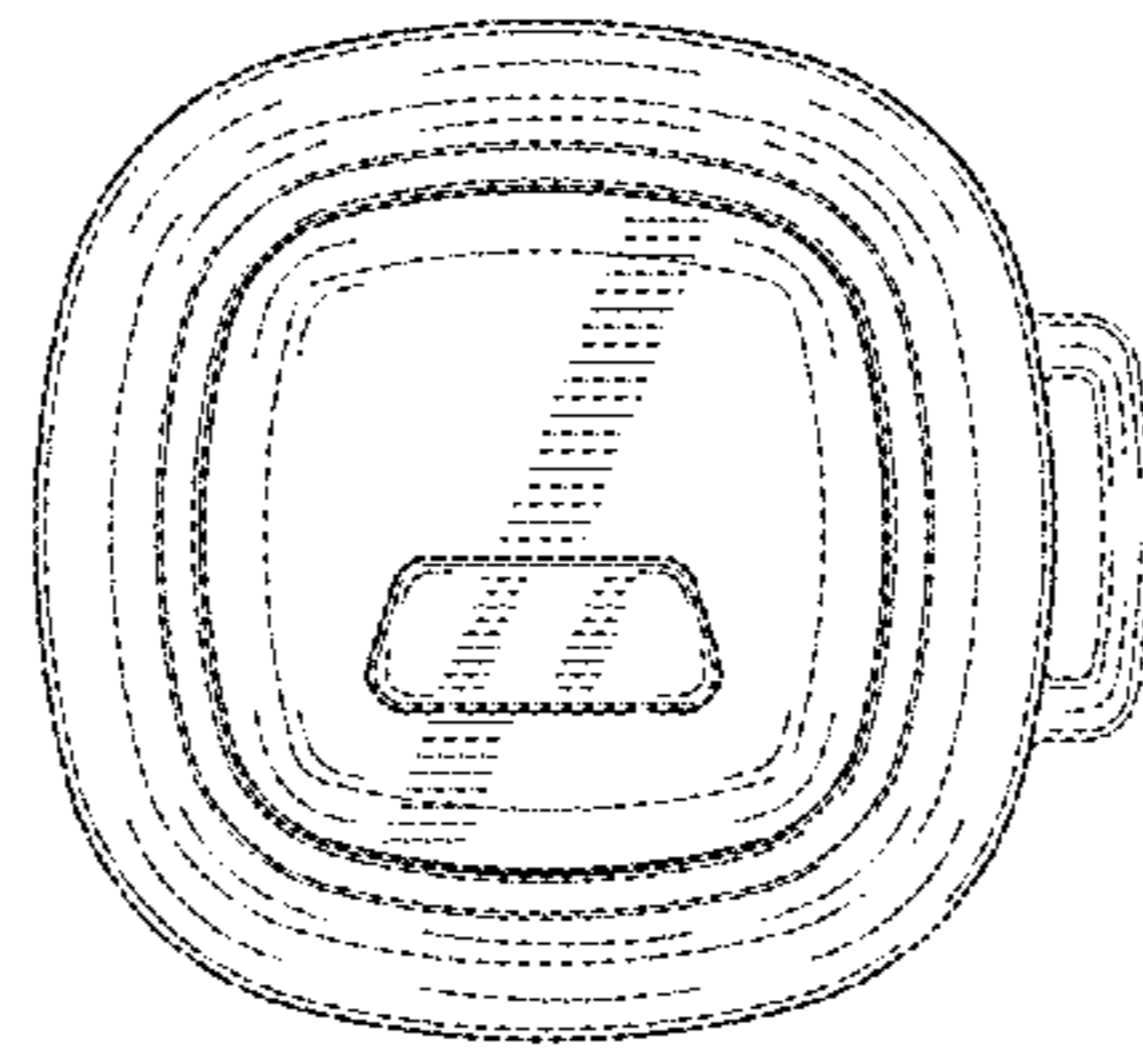


Fig. 6

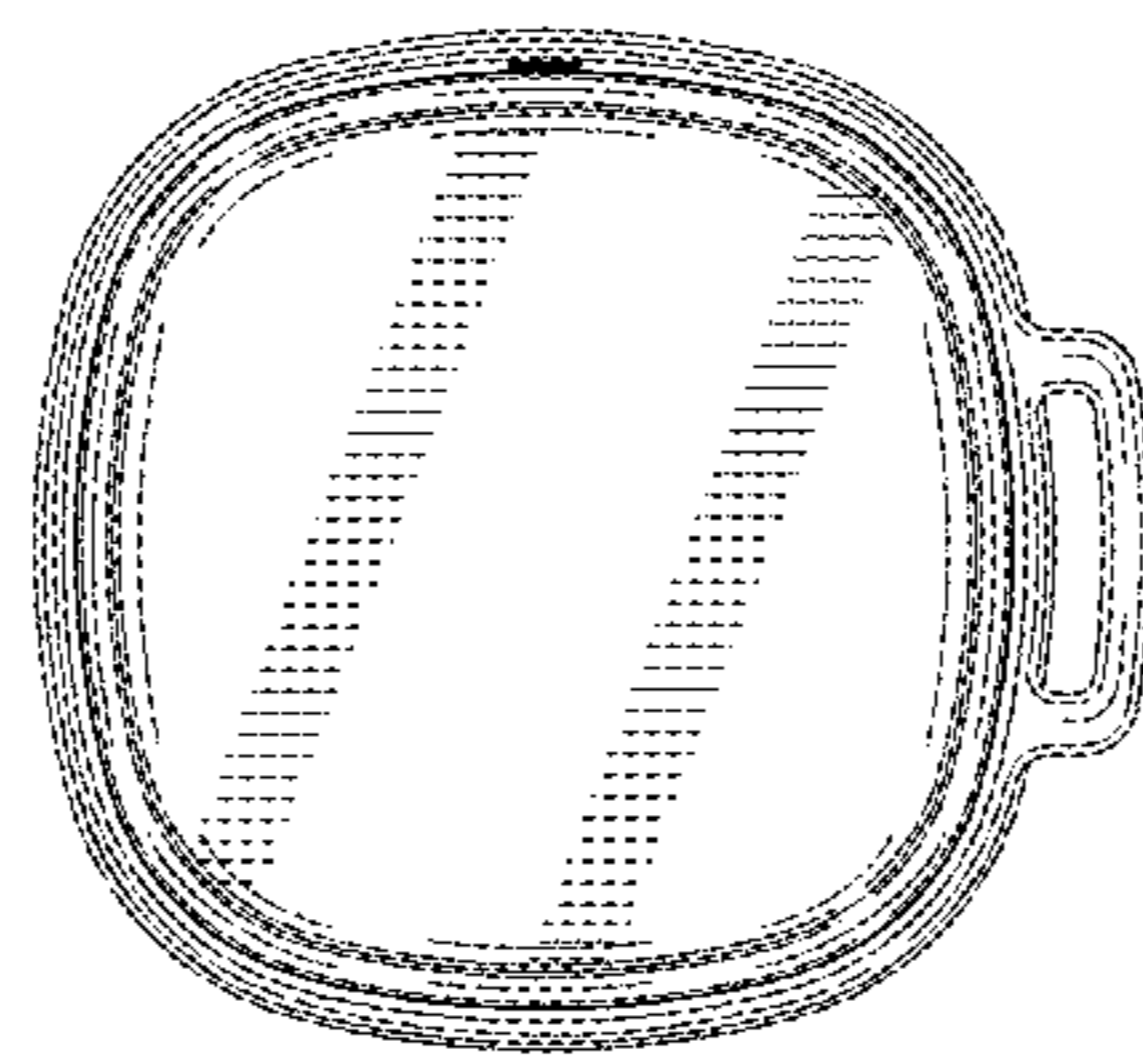


Fig. 7

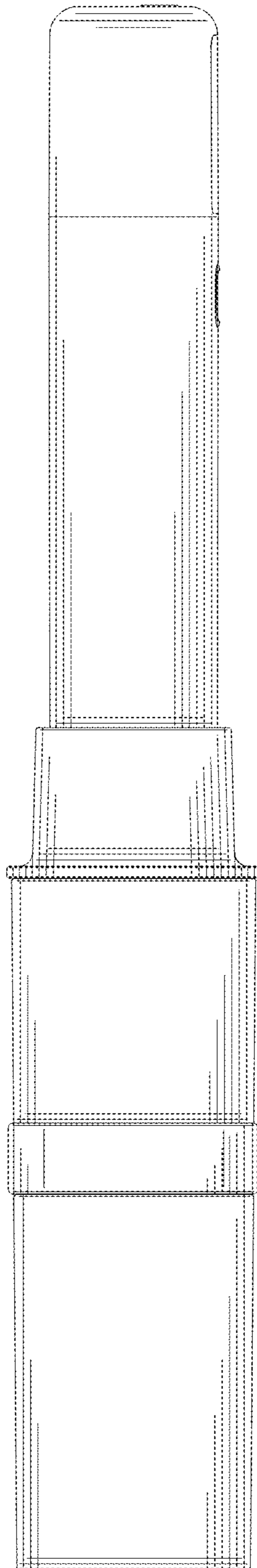


Fig. 8

