



US00D905488S

(12) **United States Design Patent** (10) **Patent No.:** **US D905,488 S**
Baum (45) **Date of Patent:** **** Dec. 22, 2020**

- (54) **ARMRESTS FOR SEAT**
- (71) Applicant: **ESSEX MFG. INC.**, New York, NY (US)
- (72) Inventor: **Peter James Baum**, New York, NY (US)
- (73) Assignee: **Essex Manufacturing, Inc.**, Washington, GA (US)
- (**) Term: **15 Years**
- (21) Appl. No.: **29/647,887**
- (22) Filed: **May 16, 2018**
- (51) **LOC (12) Cl.** **06-01**
- (52) **U.S. Cl.**
USPC **D6/716.2; D6/368**
- (58) **Field of Classification Search**
USPC D6/334-336, 368, 373, 374, 376, 379, D6/380, 716, 716.1, 716.2, 716.3, 716.4
CPC .. A47C 4/22; A47C 4/28; A47C 4/283; A47C 4/30; A47C 4/38; A47C 4/40; A47C 4/42; A47C 4/44; A47C 5/04; A47C 5/10; A47C 7/54; A47C 7/62; A47C 7/622; A47C 7/624
See application file for complete search history.

- 8,191,963 B2 * 6/2012 Gamboa A47C 7/62 297/188.14
- D844,338 S * 4/2019 Franks D6/368
- D867,044 S * 11/2019 Cohen D6/716.2
- D880,920 S * 4/2020 Cohen D6/716.2

OTHER PUBLICATIONS

Undated; Rio Beach Chair/Lounger; available as of May 15, 2018 on www.amazon.com.
Undated; Rio Beach Chair; available as of May 15, 2018 on www.walmart.com.

* cited by examiner

Primary Examiner — Mimoso De
(74) *Attorney, Agent, or Firm* — Rimon PC; Eric Cohen

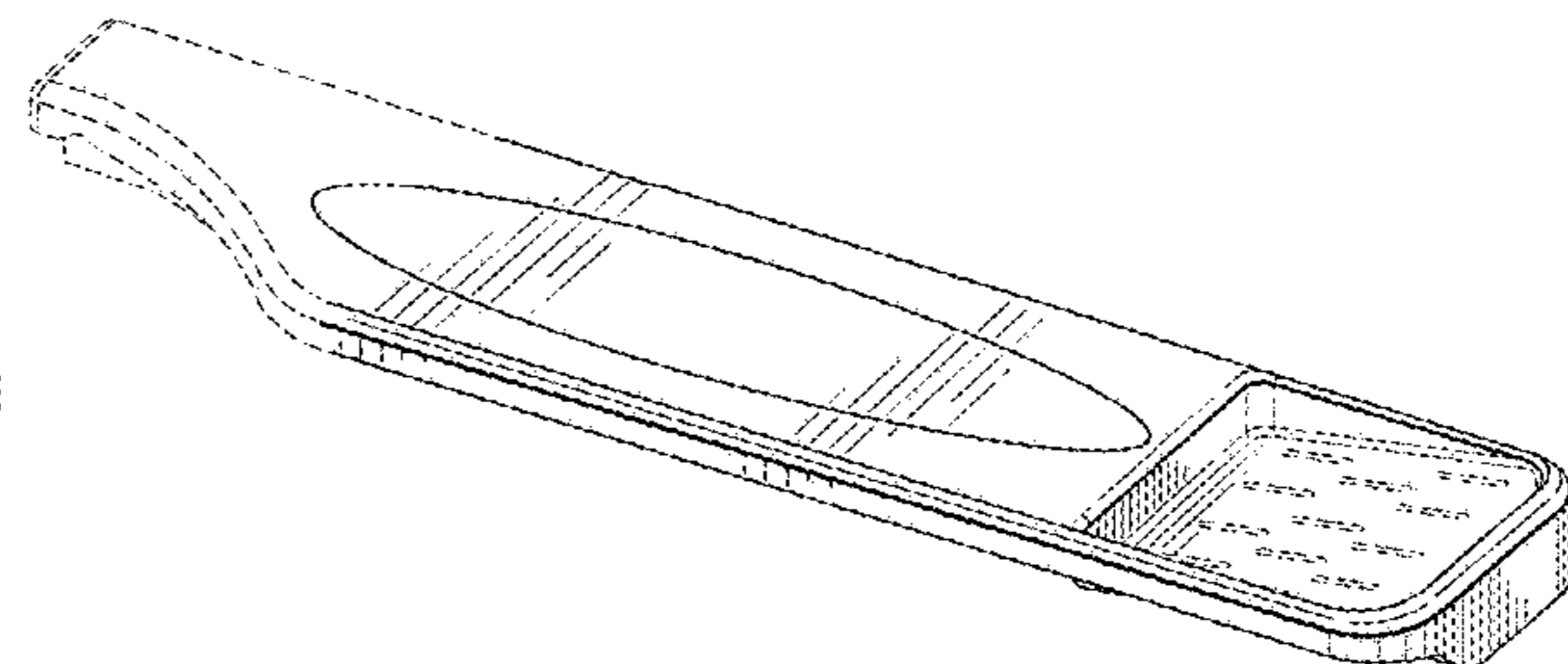
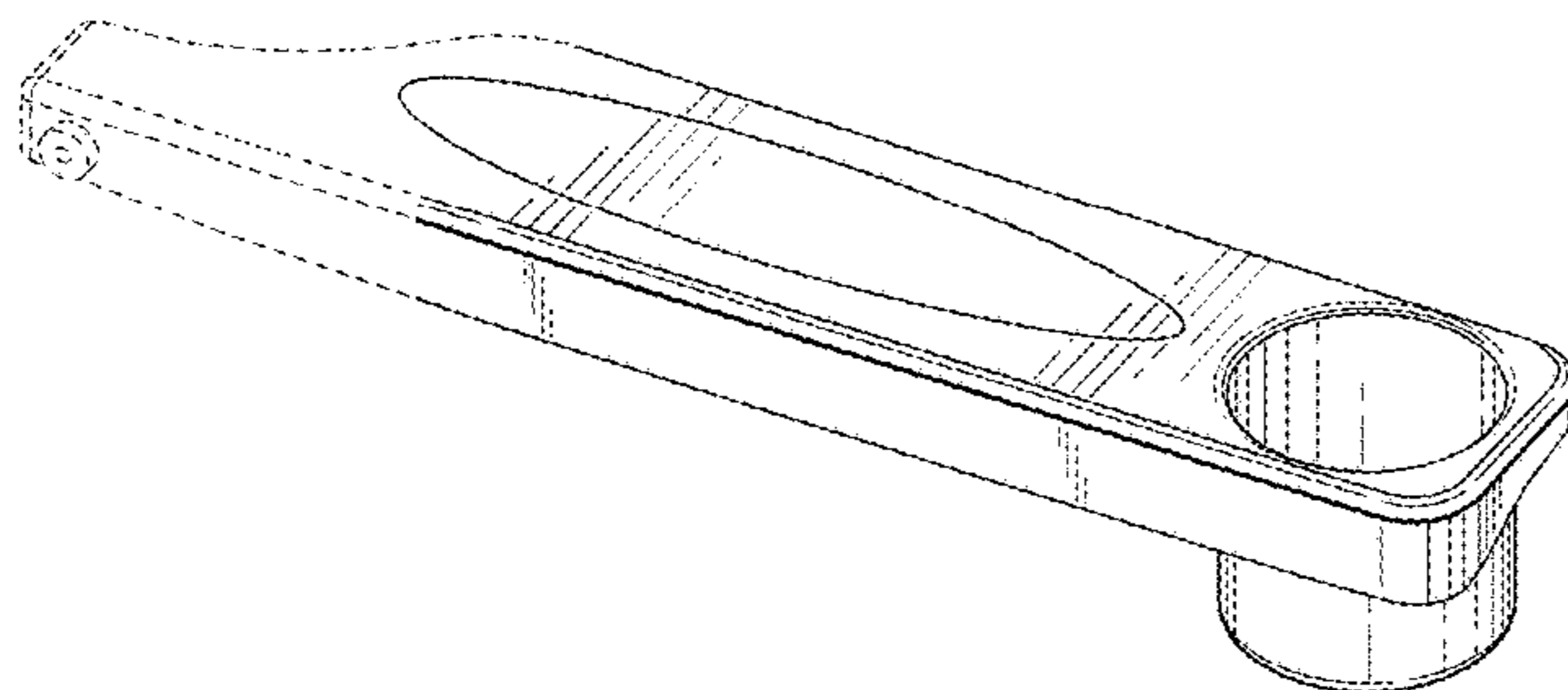
(57) **CLAIM**

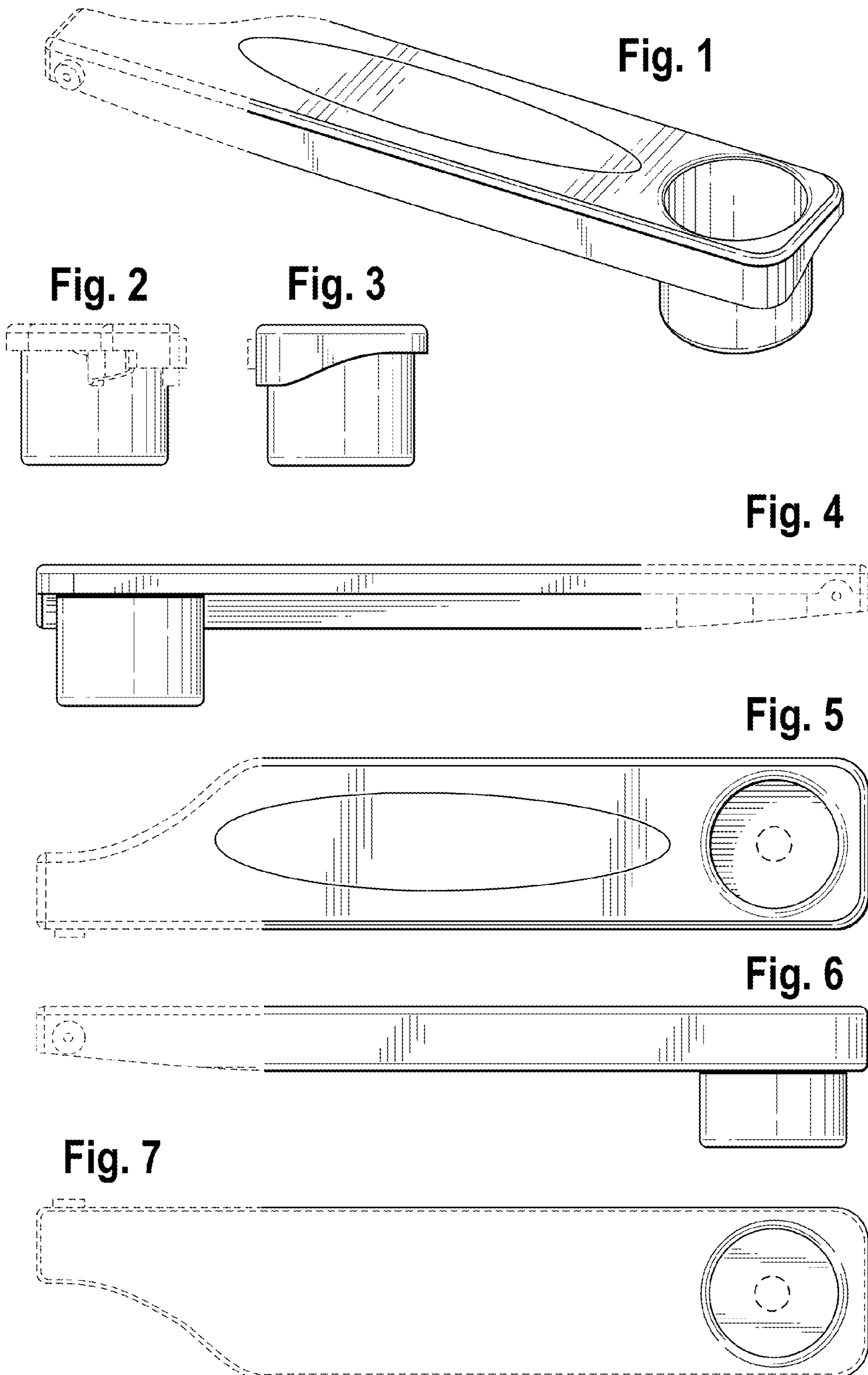
I claim the ornamental design for armrests for seat, as shown and described.

DESCRIPTION

FIG. 1 is a top perspective view of the first of a pair of armrests for seat;
FIG. 2 is a rear elevation view thereof;
FIG. 3 is a front elevation view thereof;
FIG. 4 is a right side elevation view thereof;
FIG. 5 is a top plan view thereof;
FIG. 6 is a left side elevation view thereof;
FIG. 7 is a bottom plan view thereof;
FIG. 8 is a top perspective view of the second of a pair of ARMRESTS FOR SEAT;
FIG. 9 is a rear elevation view thereof;
FIG. 10 is a front elevation view thereof;
FIG. 11 is a right side elevation view thereof;
FIG. 12 is a top plan view thereof;
FIG. 13 is a left side elevation view thereof; and,
FIG. 14 is a bottom plan view thereof.
The broken lines of FIGS. 1-14 depict boundaries that are not part of the claimed design.

1 Claim, 2 Drawing Sheets





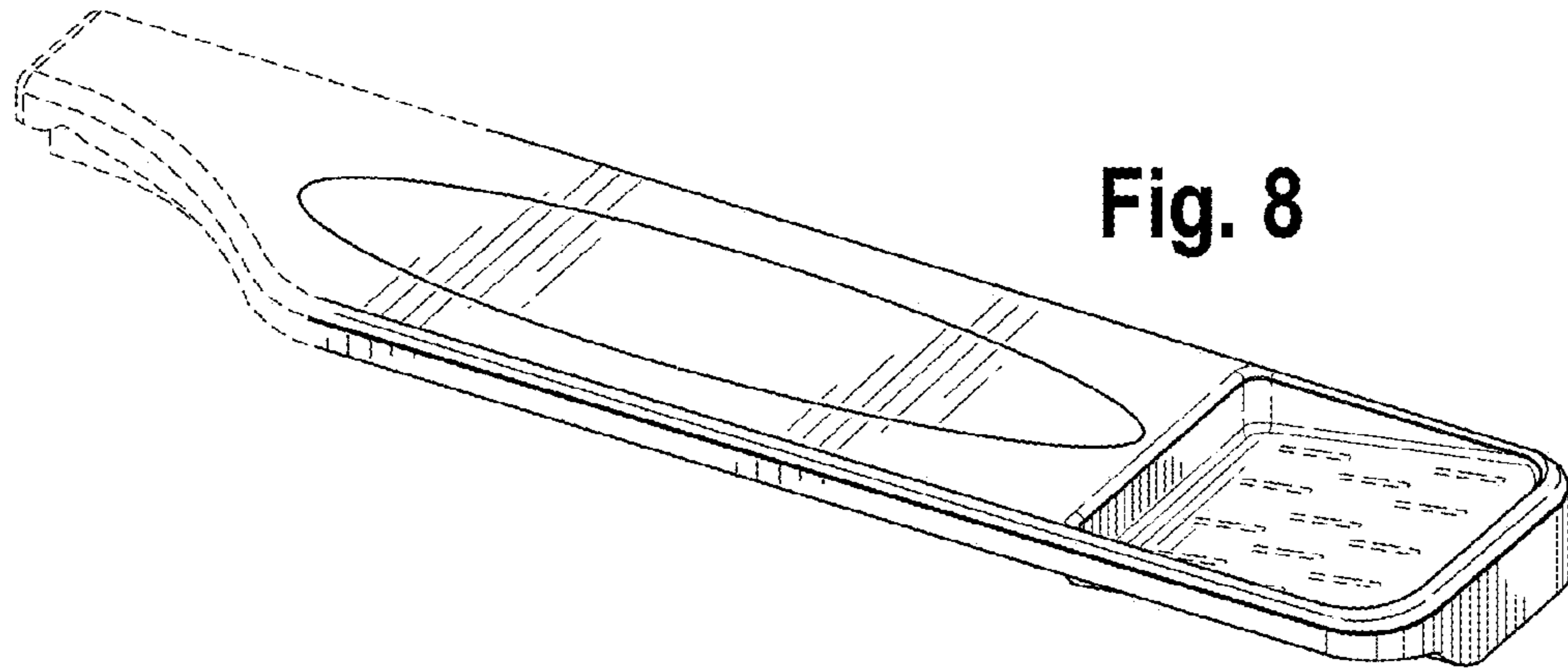


Fig. 8

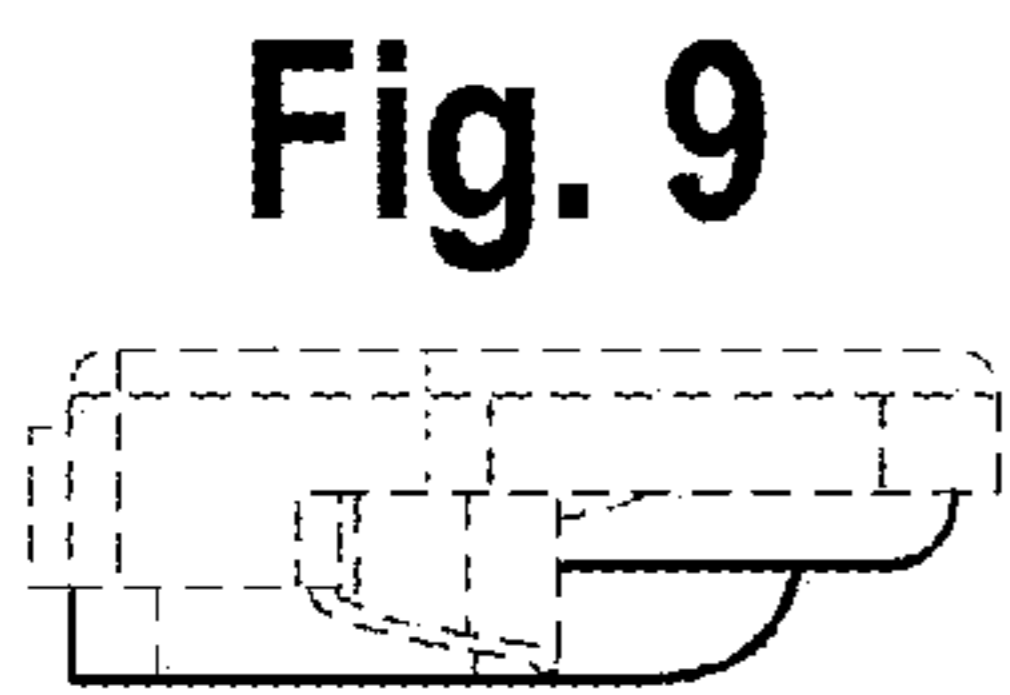


Fig. 9

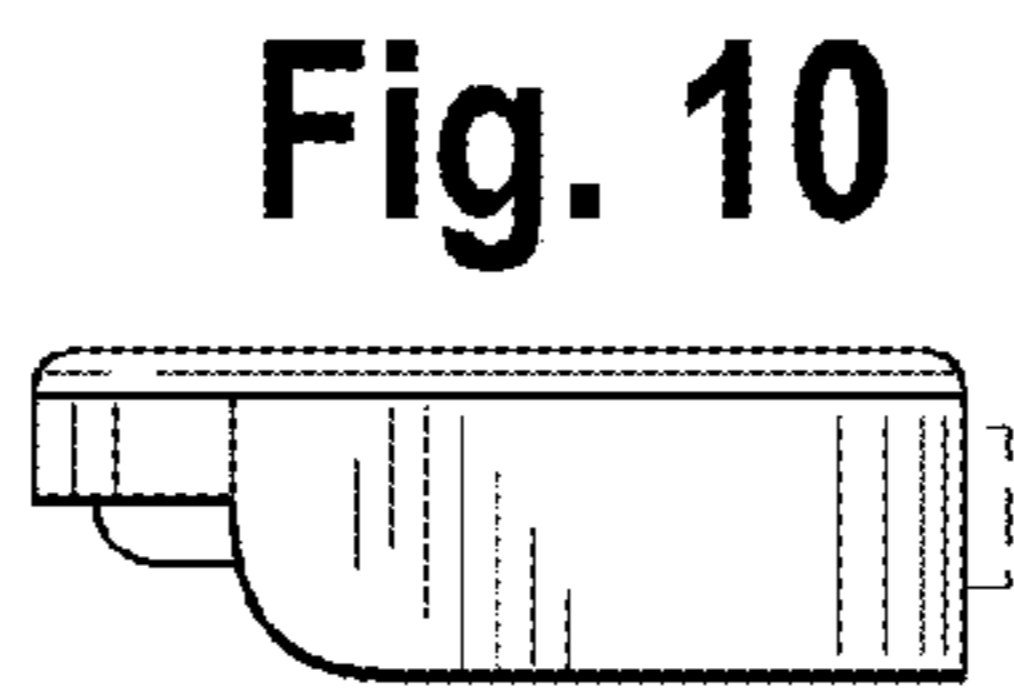


Fig. 10

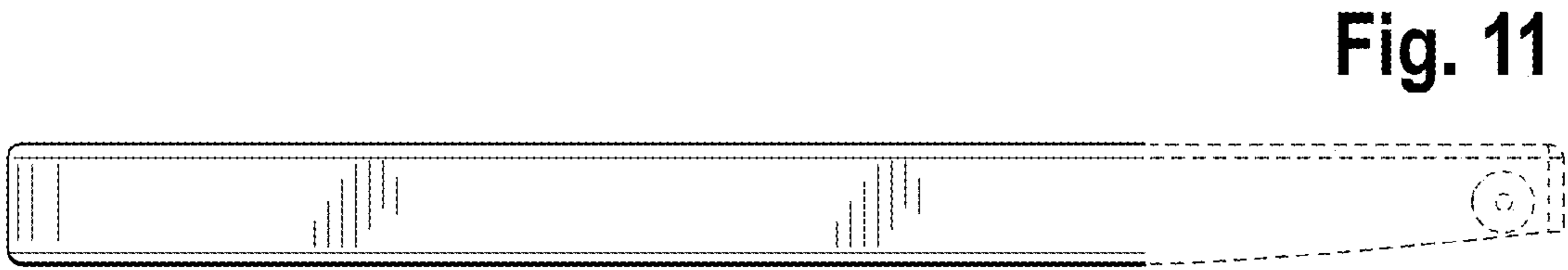


Fig. 11

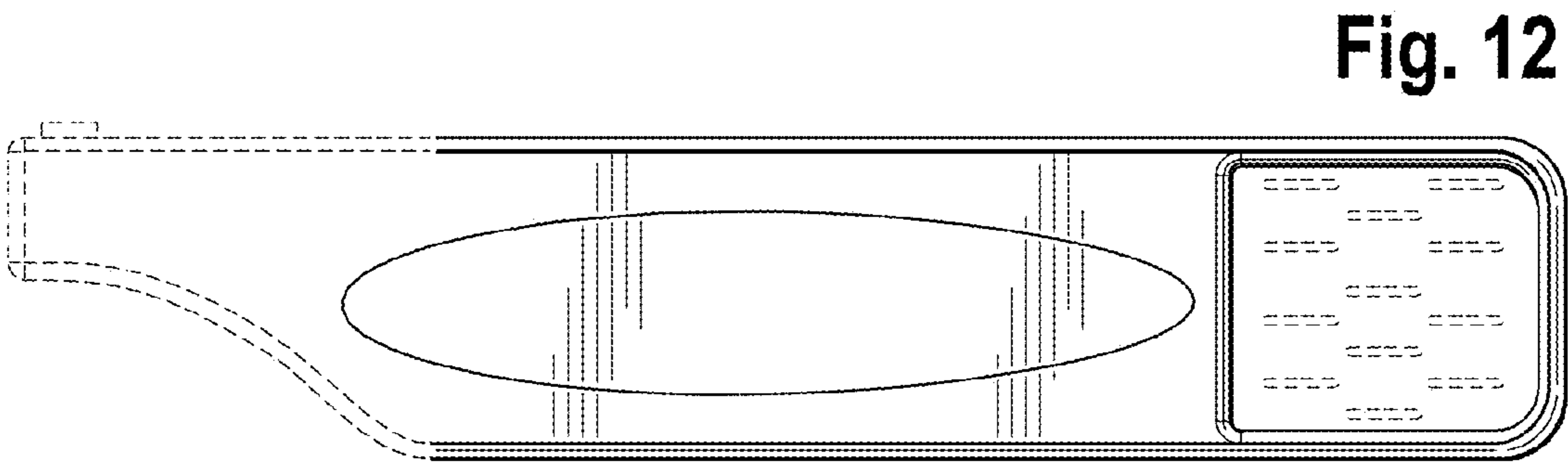


Fig. 12

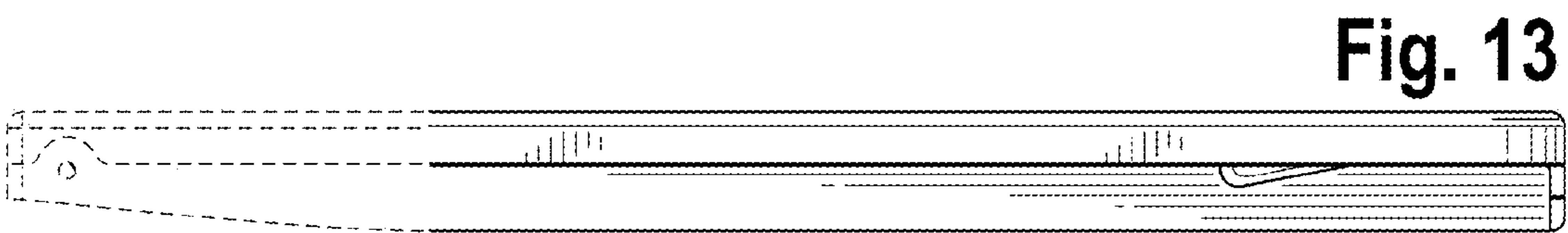


Fig. 13

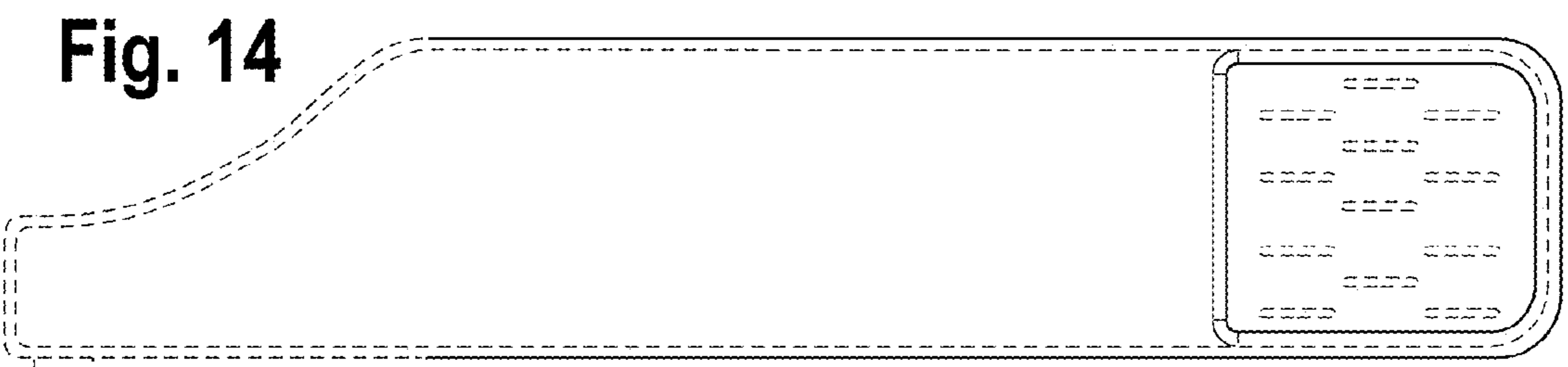


Fig. 14