



US00D905485S

(12) **United States Design Patent** (10) **Patent No.:** **US D905,485 S**
Shields (45) **Date of Patent:** **** Dec. 22, 2020**

(54) **TABLE TOP**
(71) Applicant: **Michael P. Shields**, North Tonawanda, NY (US)
(72) Inventor: **Michael P. Shields**, North Tonawanda, NY (US)
(**) Term: **15 Years**

D576,455 S * 9/2008 Siddle D7/701
D595,094 S * 6/2009 Vernes D7/553.4
D614,926 S * 5/2010 Cox D7/708
D620,761 S * 8/2010 Boudreau D7/549
9,220,337 B1 * 12/2015 Wenzel A47B 13/023
9,877,586 B2 * 1/2018 Haenga A47C 7/62
D831,444 S * 10/2018 Gu D7/701
D888,507 S * 6/2020 Flocod D7/629
2014/0102337 A1 * 4/2014 Ralph A47B 3/00
108/25

(21) Appl. No.: **29/695,156**
(22) Filed: **Jun. 17, 2019**
(51) **LOC (12) Cl.** **06-03**
(52) **U.S. Cl.**
USPC **D6/696**
(58) **Field of Classification Search**
USPC D6/349, 352, 534, 552, 680.2, 681.3,
D6/682.2, 685, 686, 692, 692.1, 692.3,
D6/692.4, 702, 707, 707.18, 707.2;
D7/501, 549, 551.1, 553.1, 553.5, 553.6,
D7/553.8, 554.2, 600.1, 701, 706, 707;
D8/501, 549, 551.1, 553.1, 553.5, 553.6,
D8/553.8, 554.2, 600.1, 701, 706, 707;
D19/85; D21/397; D22/137
CPC A47G 23/0641; A47G 23/0208; A47G
19/06; A47G 19/2261; A47G 23/02;
A47B 3/00; A47B 13/16; A47B 81/04;
A47B 37/04
See application file for complete search history.

OTHER PUBLICATIONS

“Legacy—a Picnic Time Brand Mesavino Portable Wine and Snack Table.” Found online Aug. 12, 2020 at www.amazon.com. Product first available Feb. 7, 2011. Retrieved from URL: <https://tinyurl.com/yyluurcn> (Year: 2011).*

(Continued)

Primary Examiner — Michael C Stout
Assistant Examiner — Katelin G Kloberg
(74) *Attorney, Agent, or Firm* — Vincent LoTempio

(57) **CLAIM**

The ornamental design for a table top, as shown and described.

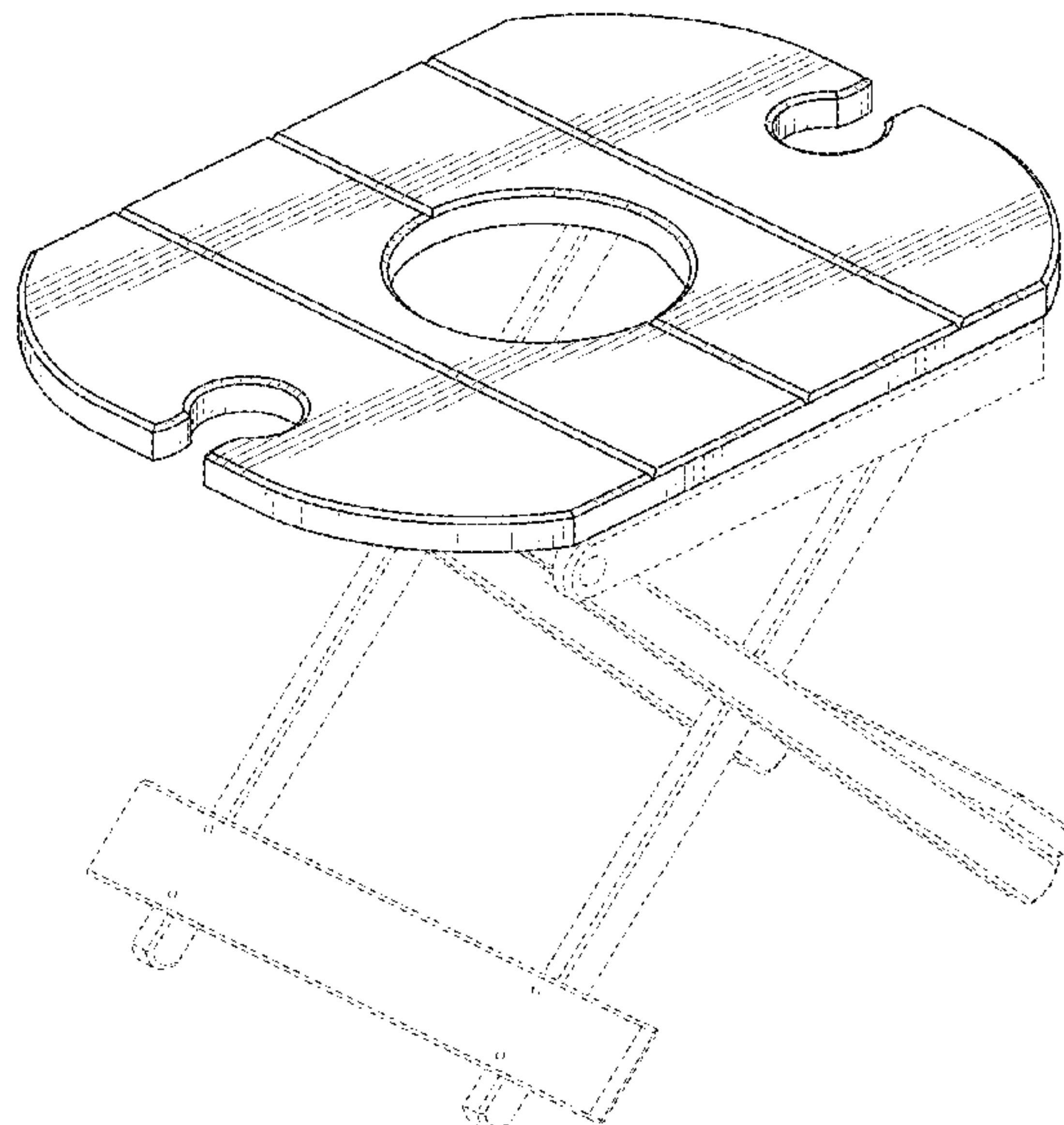
DESCRIPTION

FIG. 1 is a perspective view of the table top showing my new design;
FIG. 2 is a right side view of my new design;
FIG. 3 is a left side view of my new design;
FIG. 4 is a front side view of my new design;
FIG. 5 is a rear side view of my new design;
FIG. 6 is a top view of my new design with the bottom view being a mirror image thereof; and,
FIG. 7 is a bottom view of my new design.
The broken lines depict environmental subject matter that forms no part of the claimed design.

1 Claim, 7 Drawing Sheets

(56) **References Cited**
U.S. PATENT DOCUMENTS

D326,588 S * 6/1992 Meisel D7/549
5,234,125 A * 8/1993 Roberts A47G 19/065
206/562
D387,921 S * 12/1997 Shields D6/692.3
D440,070 S * 4/2001 Goodworth D6/692.1
D442,830 S * 5/2001 Raucci D7/553.5
D482,553 S * 11/2003 Fortin D6/707
D498,622 S * 11/2004 Neunzert D6/707



(56)

References Cited

OTHER PUBLICATIONS

“INNOSTAGE Portable and Foldable Wine and Snack Table.”
Found online Aug. 12, 2020 at www.amazon.com. Product first
available Mar. 13, 2017. Retrieved from URL: [https://tinyurl.com/
y2srea2t](https://tinyurl.com/y2srea2t) (Year: 2017).*

“Lightweight and Portable Grade A Teak Wooden Wine Table.”
Found online Aug. 12, 2020 at www.amazon.com. Product first
available Oct. 9, 2019. Retrieved from URL: [https://tinyurl.com/
y3ssvxou](https://tinyurl.com/y3ssvxou) (Year: 2019).*

“Tovolo Outdoor Wine Holder Bamboo Table.” Found online Aug.
12, 2020 at www.amazon.com. Product first available Apr. 1, 2006.
Retrieved from URL: <https://tinyurl.com/y28yyrkl> (Year: 2006).*

* cited by examiner

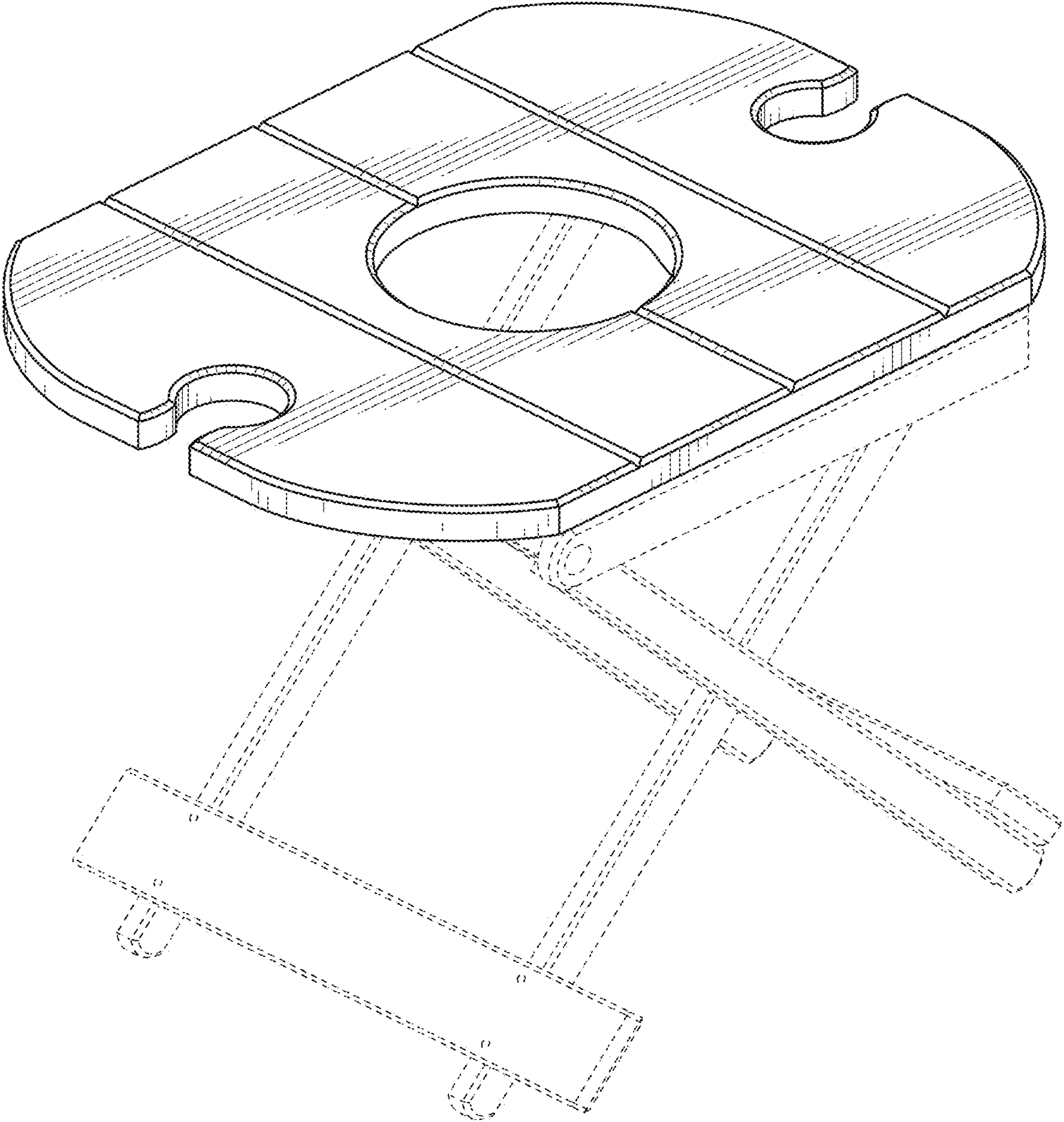


FIG. 1

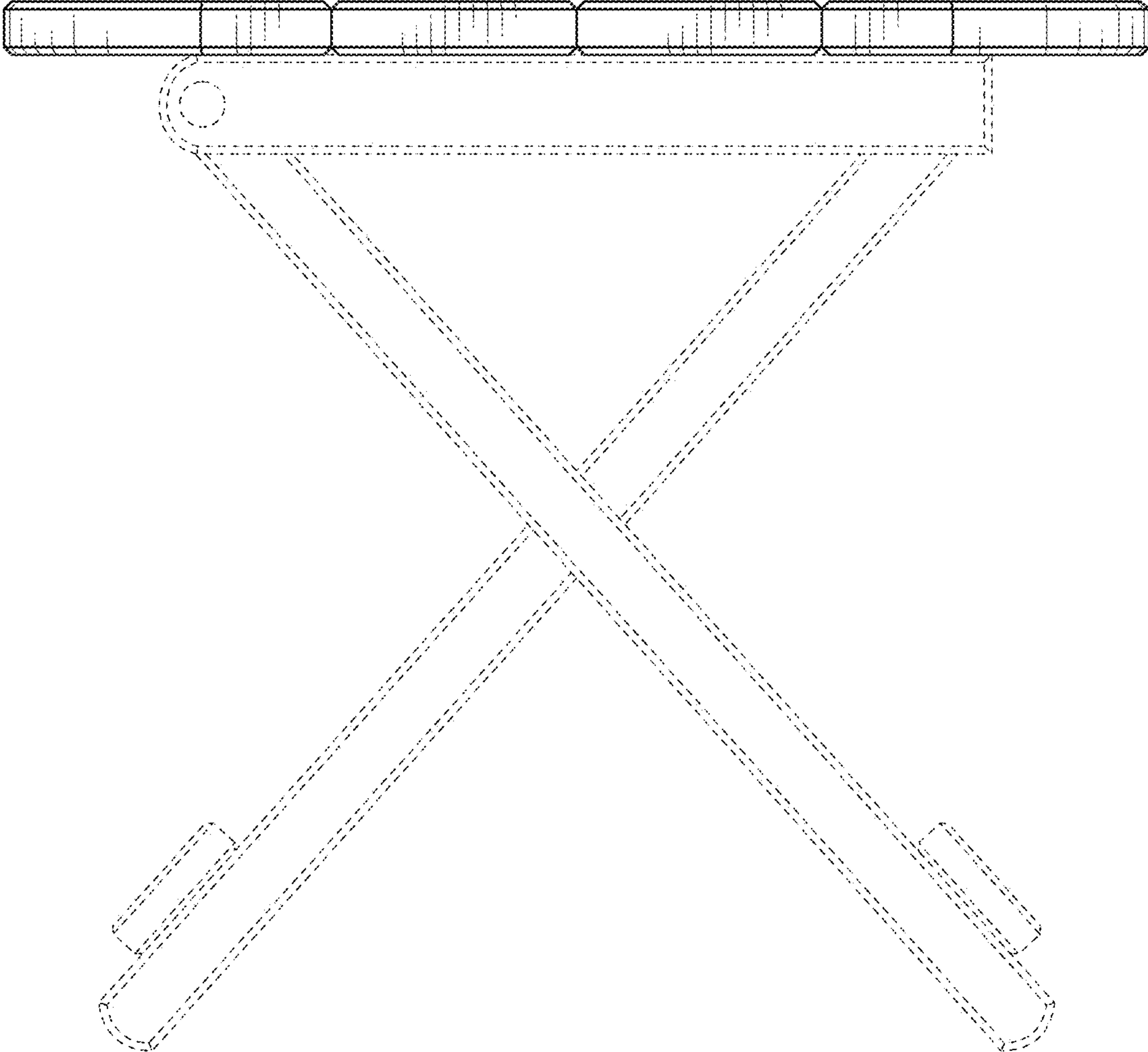


FIG. 2

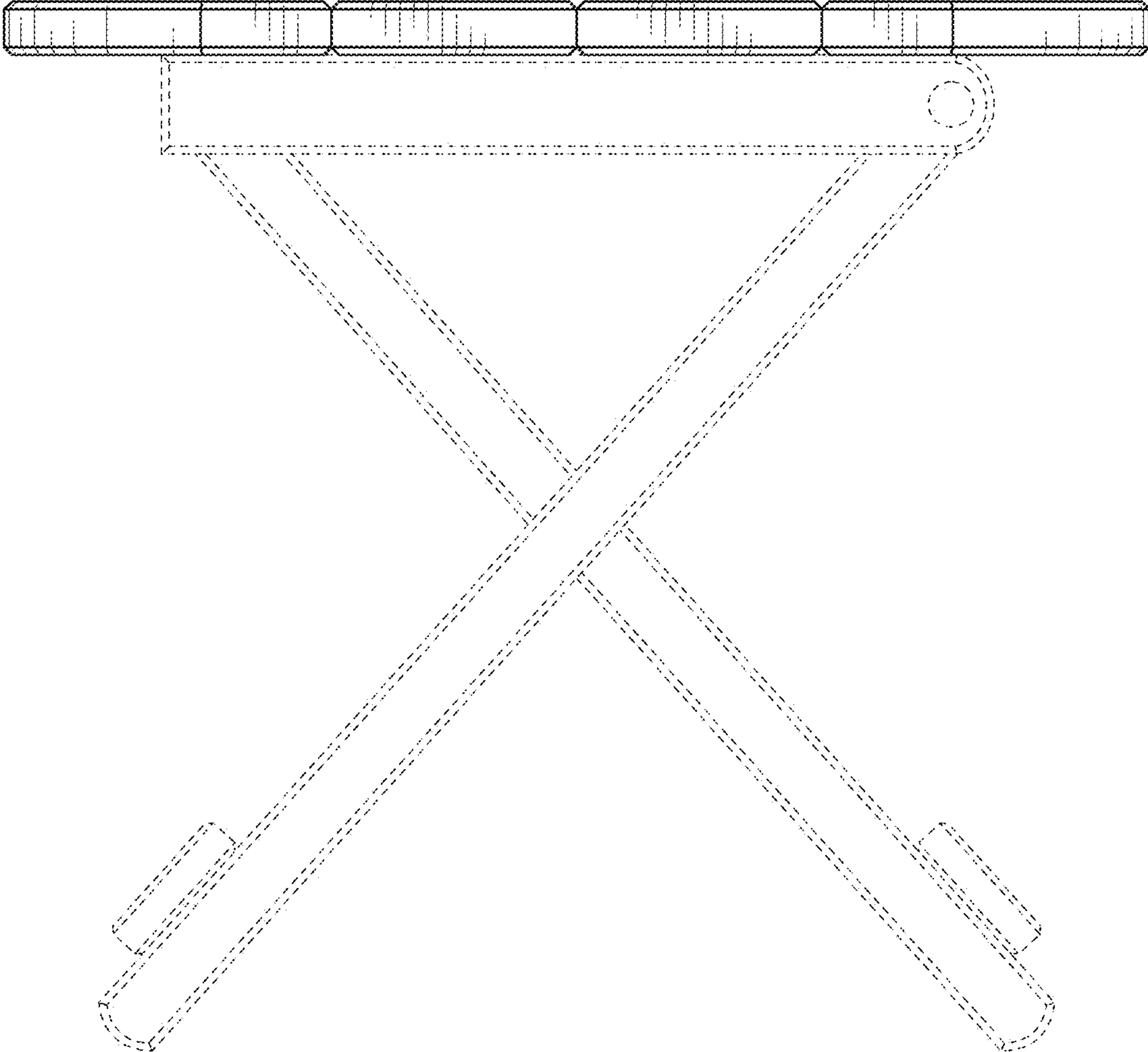


FIG. 3

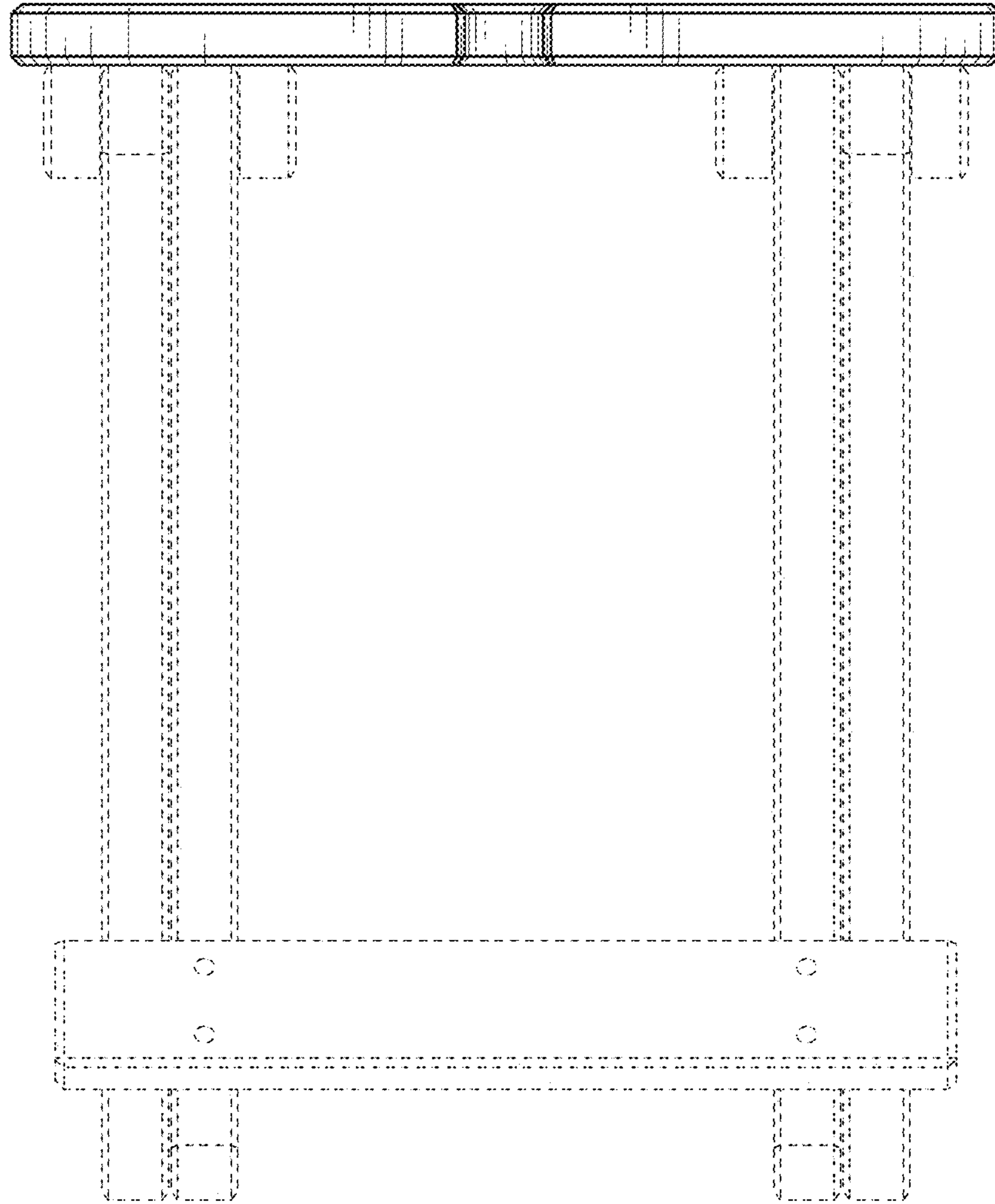


FIG. 4

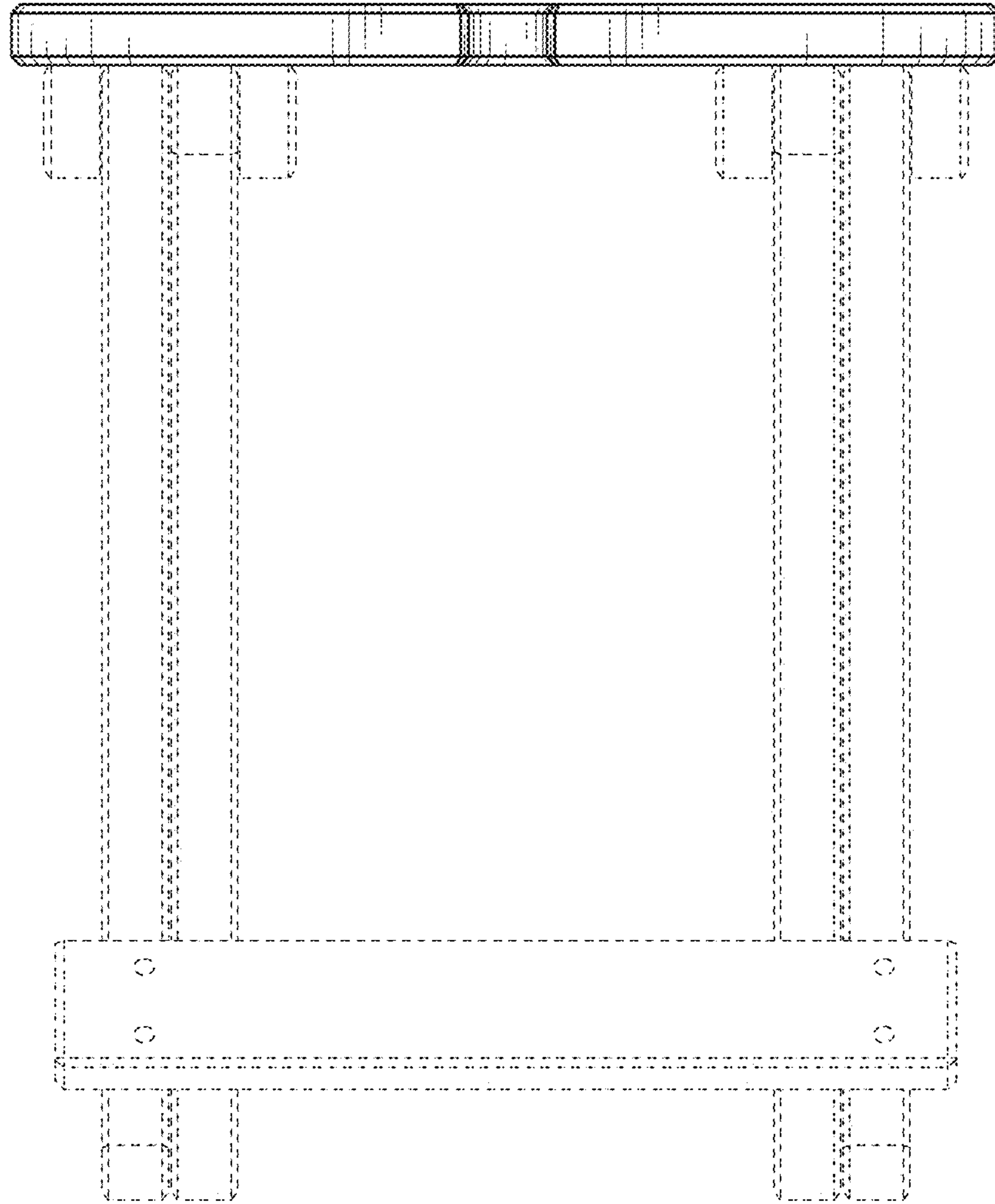


FIG. 5

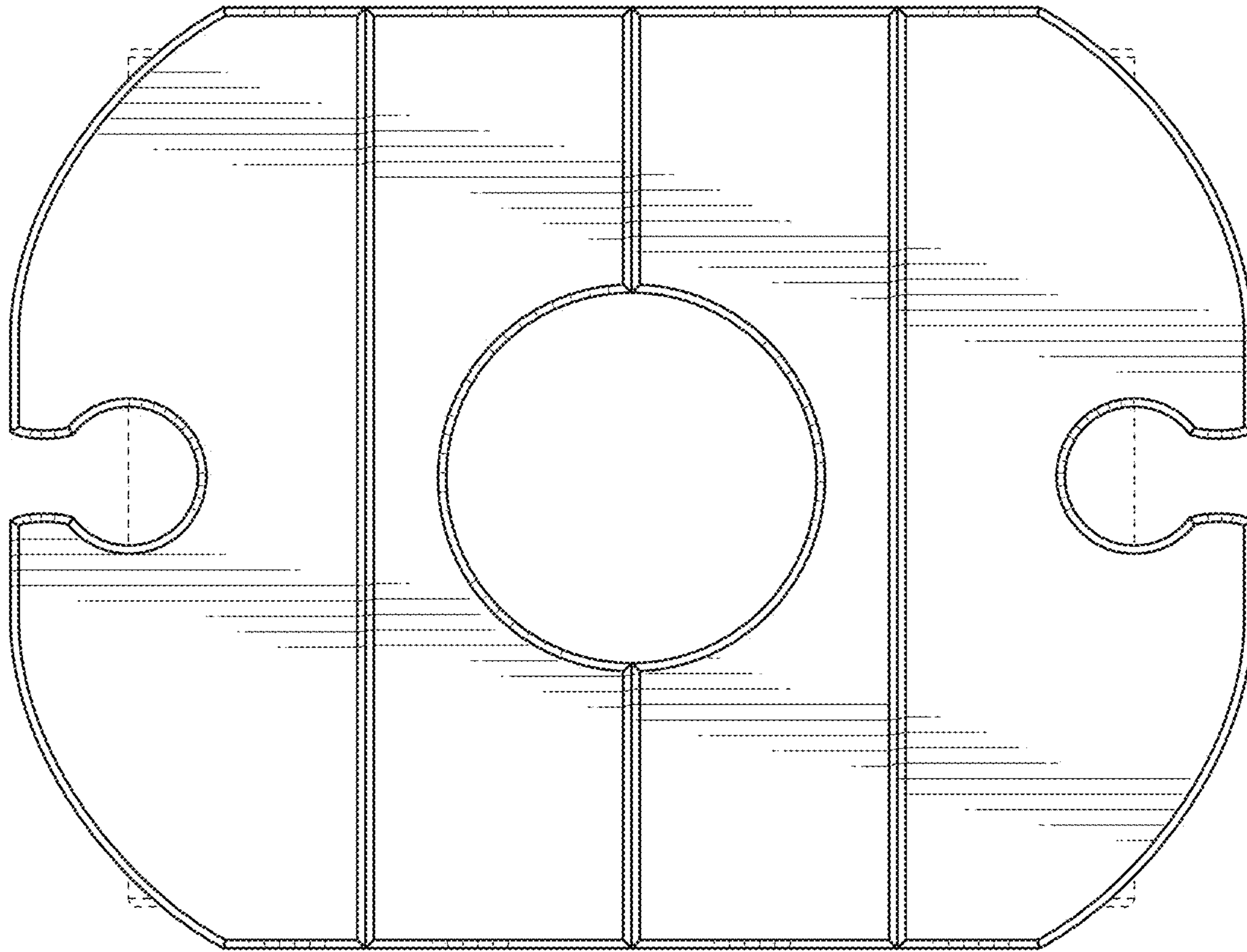


FIG. 6

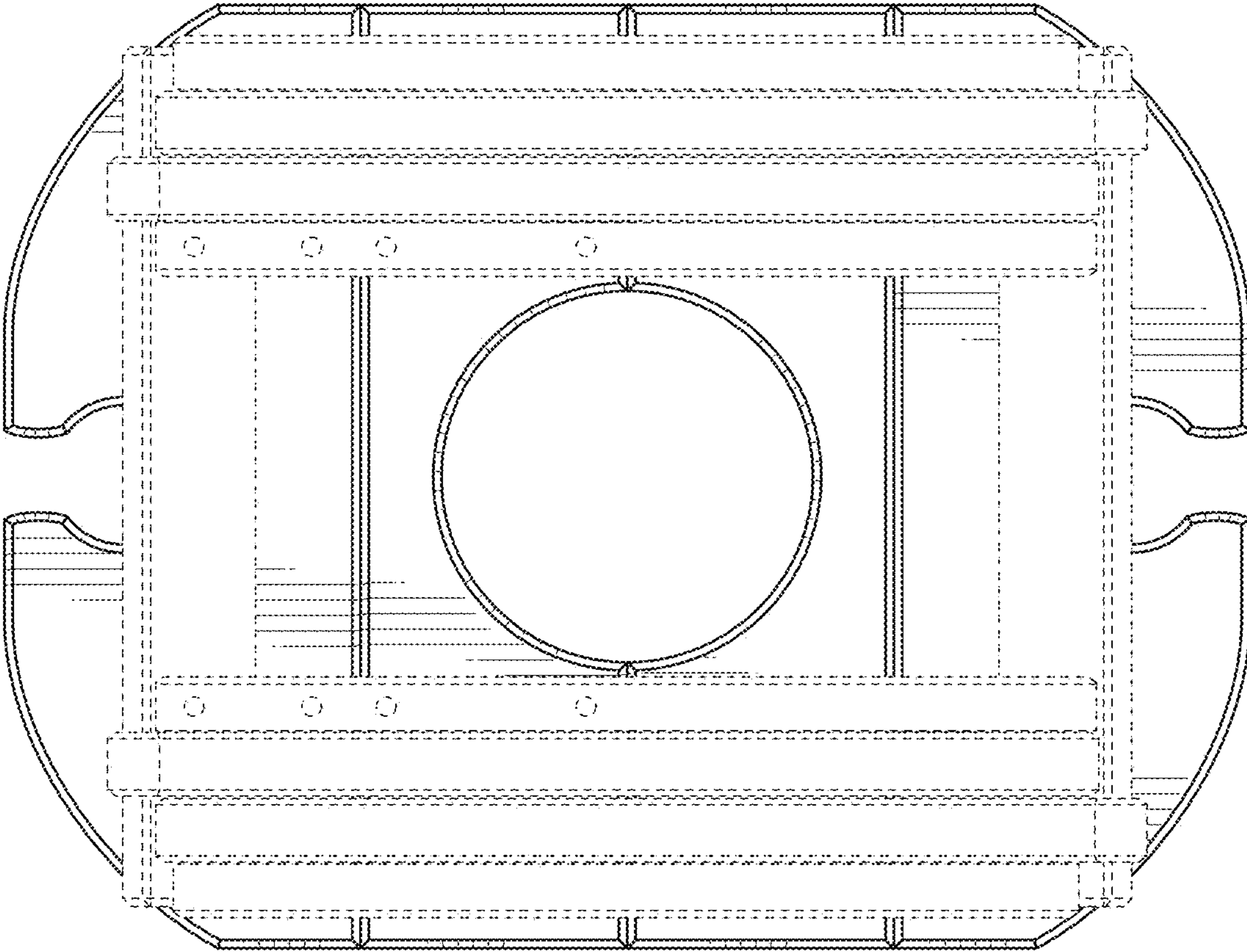


FIG. 7