



US00D905482S

(12) **United States Design Patent** (10) **Patent No.:** **US D905,482 S**  
**Coretti, Jr. et al.** (45) **Date of Patent:** **\*\* Dec. 22, 2020**

(54) **LOW PROFILE SHELF WITH SHELF RUNNER SLOT**

(71) Applicant: **B-O-F CORPORATION**, Aurora, IL (US)

(72) Inventors: **Joseph Coretti, Jr.**, Wheaton, IL (US);  
**Edwin Albarran**, Chicago, IL (US);  
**Derek Au**, Aurora, IL (US)

(73) Assignee: **B-O-F CORPORATION**, Aurora, IL (US)

(\*\*) Term: **15 Years**

(21) Appl. No.: **29/713,090**

(22) Filed: **Nov. 13, 2019**

(51) **LOC (12) Cl.** ..... **06-06**

(52) **U.S. Cl.**  
USPC ..... **D6/675.2**

(58) **Field of Classification Search**  
USPC ..... D6/672, 675, 675.1, 675.2, 705, 705.6,  
D6/707; D3/304, 306  
CPC .. A47F 1/00; A47F 5/00; A47F 5/0043; A47F  
5/0056; A47B 57/00; A47B 45/00; A47B  
47/021

See application file for complete search history.

(56) **References Cited**

U.S. PATENT DOCUMENTS

D215,773	S	*	10/1969	Maslow	.....	D6/675.5
4,331,243	A		5/1982	Doll		
D289,479	S	*	4/1987	Brancher	.....	D6/566
D292,658	S	*	11/1987	Kester	.....	D6/675.2
D327,602	S	*	7/1992	Walker	.....	D7/335
5,351,842	A	*	10/1994	Remmers	.....	A47B 96/028 108/152
D375,860	S		11/1996	Coretti, Jr. et al.		
5,607,068	A		3/1997	Coretti, Jr. et al.		
6,273,276	B1		8/2001	Upton et al.		

6,419,099	B1		7/2002	Weber		
D485,109	S	*	1/2004	Oberhaus	.....	D6/574
D489,205	S	*	5/2004	Droppers	.....	D6/705.6
D499,922	S	*	12/2004	Anderson	.....	D6/566
6,913,235	B2	*	7/2005	Oberhaus	.....	A47B 96/028 248/249
7,240,803	B2	*	7/2007	Stitchick	.....	A47B 47/022 211/106
D551,884	S	*	10/2007	Remmers	.....	D6/705.6
D588,839	S	*	3/2009	Klein	.....	D6/705.6
D597,354	S	*	8/2009	Liss	.....	D6/705.6

(Continued)

*Primary Examiner* — Kelley A Donnelly

(74) *Attorney, Agent, or Firm* — Marshall, Gerstein & Borun LLP

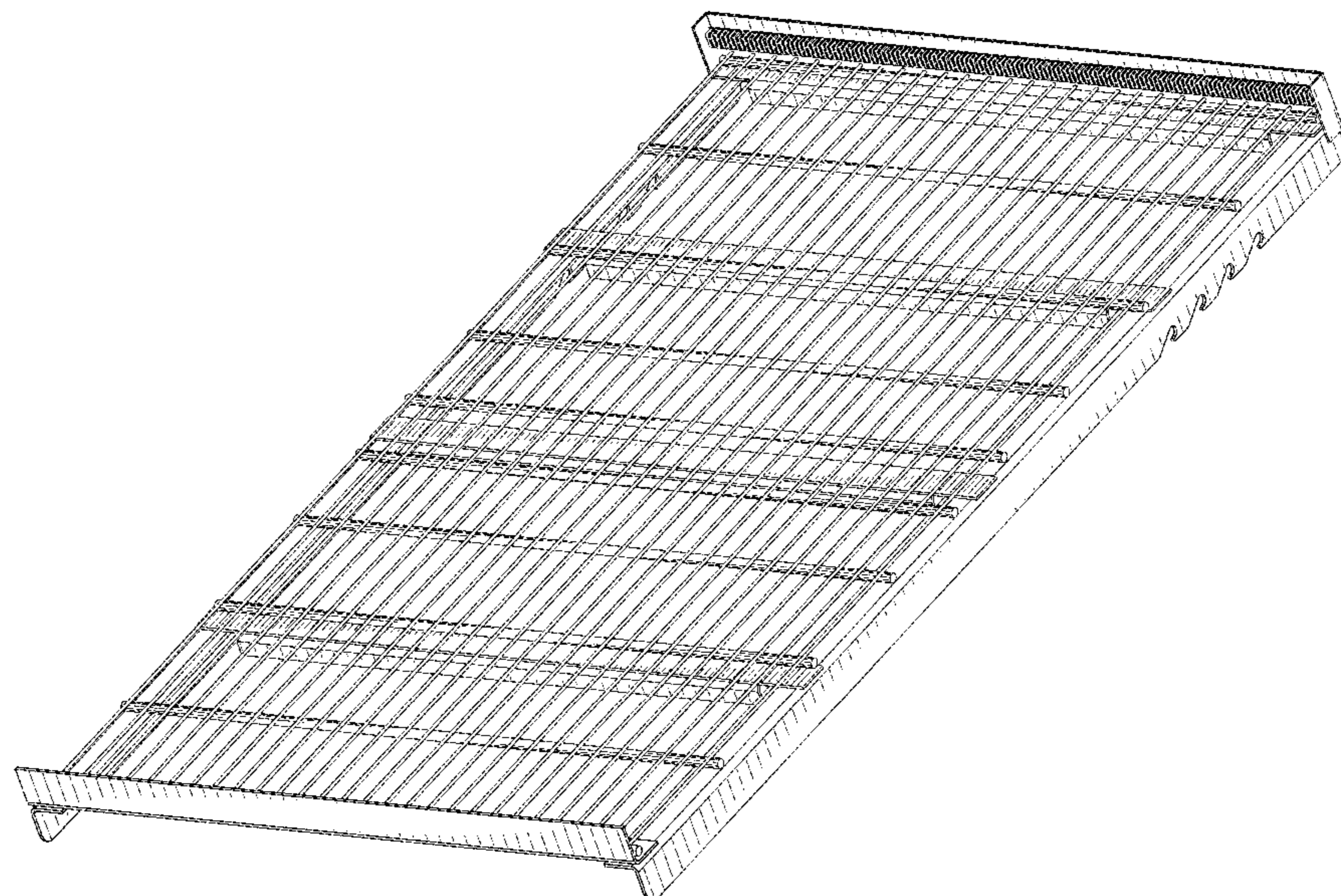
(57) **CLAIM**

The ornamental design for a low profile shelf with shelf runner slot, as shown and described.

**DESCRIPTION**

FIG. 1 is a front perspective view of a low profile shelf with shelf runner slot showing the new design; FIG. 2 is a front view of the invention illustrated in FIG. 1; FIG. 3 is a right side view of the invention illustrated in FIG. 1; FIG. 4 is a rear view of the invention illustrated in FIG. 1; FIG. 5 is a left side view of the invention illustrated in FIG. 1; FIG. 6 is a top view of the invention illustrated in FIG. 1; FIG. 7 is a bottom view of the invention illustrated in FIG. 1; and, FIG. 8 is an environmental view illustrating a pair of the low profile shelf with shelf runner slot of the present invention arranged on a display rack. The broken lines in the drawings depict environment for the low profile shelf with shelf runner slot that forms no part of the claimed design.

**1 Claim, 8 Drawing Sheets**



(56)

**References Cited**

## U.S. PATENT DOCUMENTS

D627,180 S \* 11/2010 McCombs ..... D6/705.6  
D650,226 S \* 12/2011 Walker ..... D7/409  
D698,589 S \* 2/2014 Troyner ..... D6/705.6  
8,646,624 B2 \* 2/2014 Fernandez ..... A47B 57/42  
211/90.02  
D733,431 S \* 7/2015 Kokenge ..... D3/304  
9,277,814 B2 \* 3/2016 Winker ..... A47B 96/021  
D758,772 S \* 6/2016 Coretti, Jr. .... D6/705.6  
9,706,859 B2 \* 7/2017 Brinton, Jr. .... A47B 97/00  
D798,090 S \* 9/2017 Fitzgerald ..... D6/705.6  
D799,870 S \* 10/2017 Liss ..... D6/705.6  
D812,945 S \* 3/2018 Turner ..... D6/705.6  
D854,864 S \* 7/2019 Lim ..... D6/684  
D859,893 S \* 9/2019 Fitzgerald ..... D6/675.2  
10,470,590 B2 \* 11/2019 Wills ..... A47B 96/06  
D893,221 S \* 8/2020 Lim ..... D6/675.2  
2003/0146177 A1 \* 8/2003 Miller, Jr. .... A47F 1/12  
211/59.2  
2004/0099619 A1 5/2004 Bustos  
2006/0113262 A1 6/2006 Knorring et al.  
2012/0000871 A1 \* 1/2012 Troyner ..... A47B 96/02  
211/134

\* cited by examiner

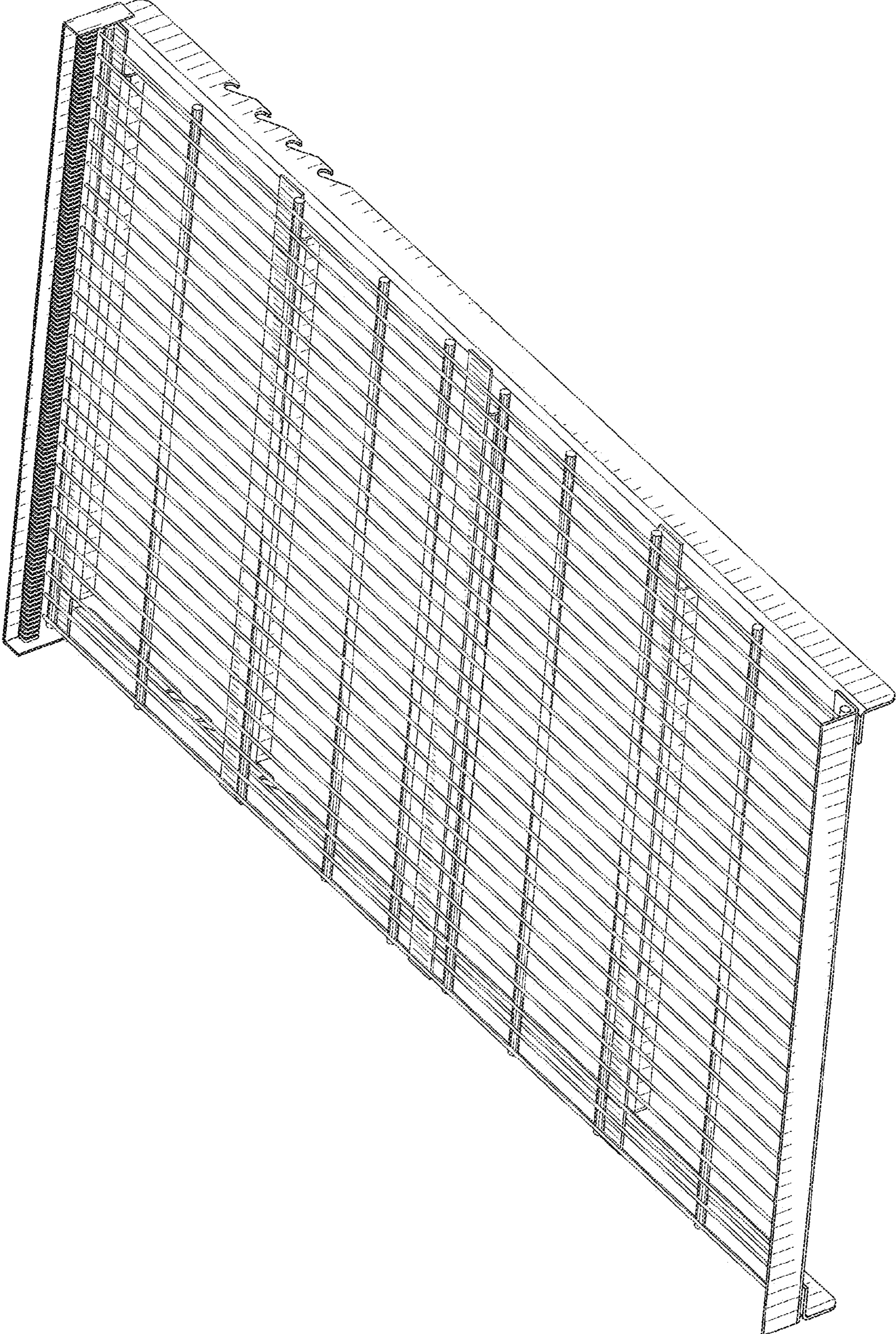


FIG. 1

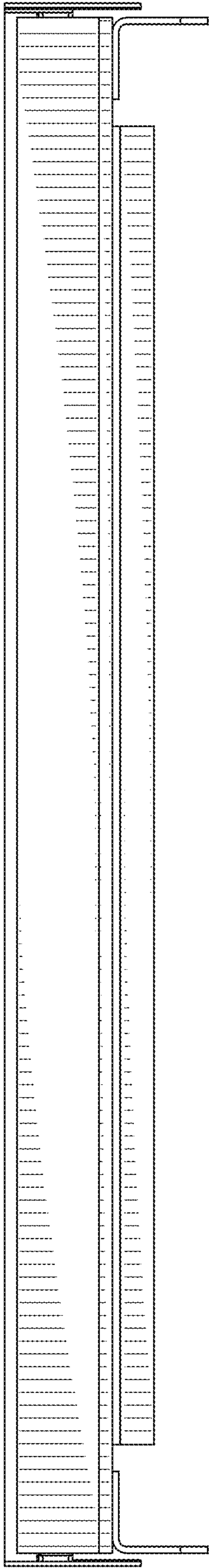


FIG. 2

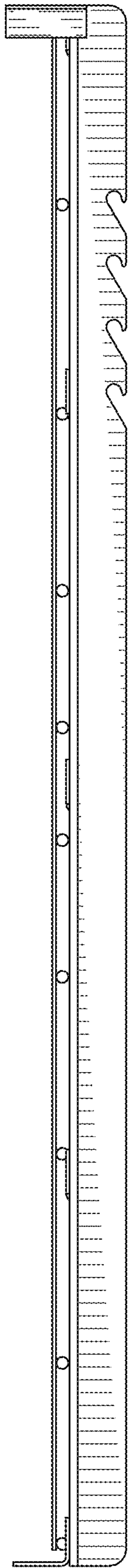


FIG. 3

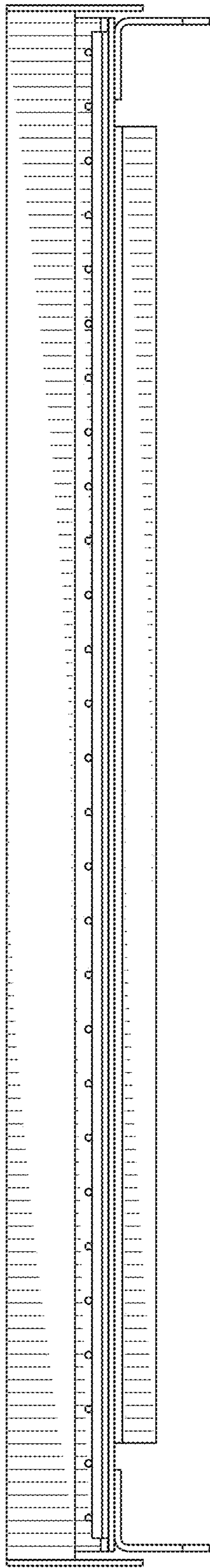


FIG. 4

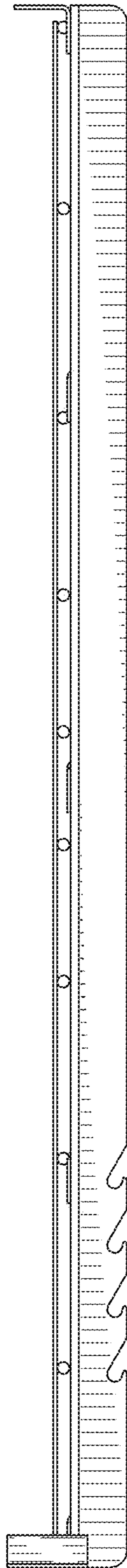


FIG. 5

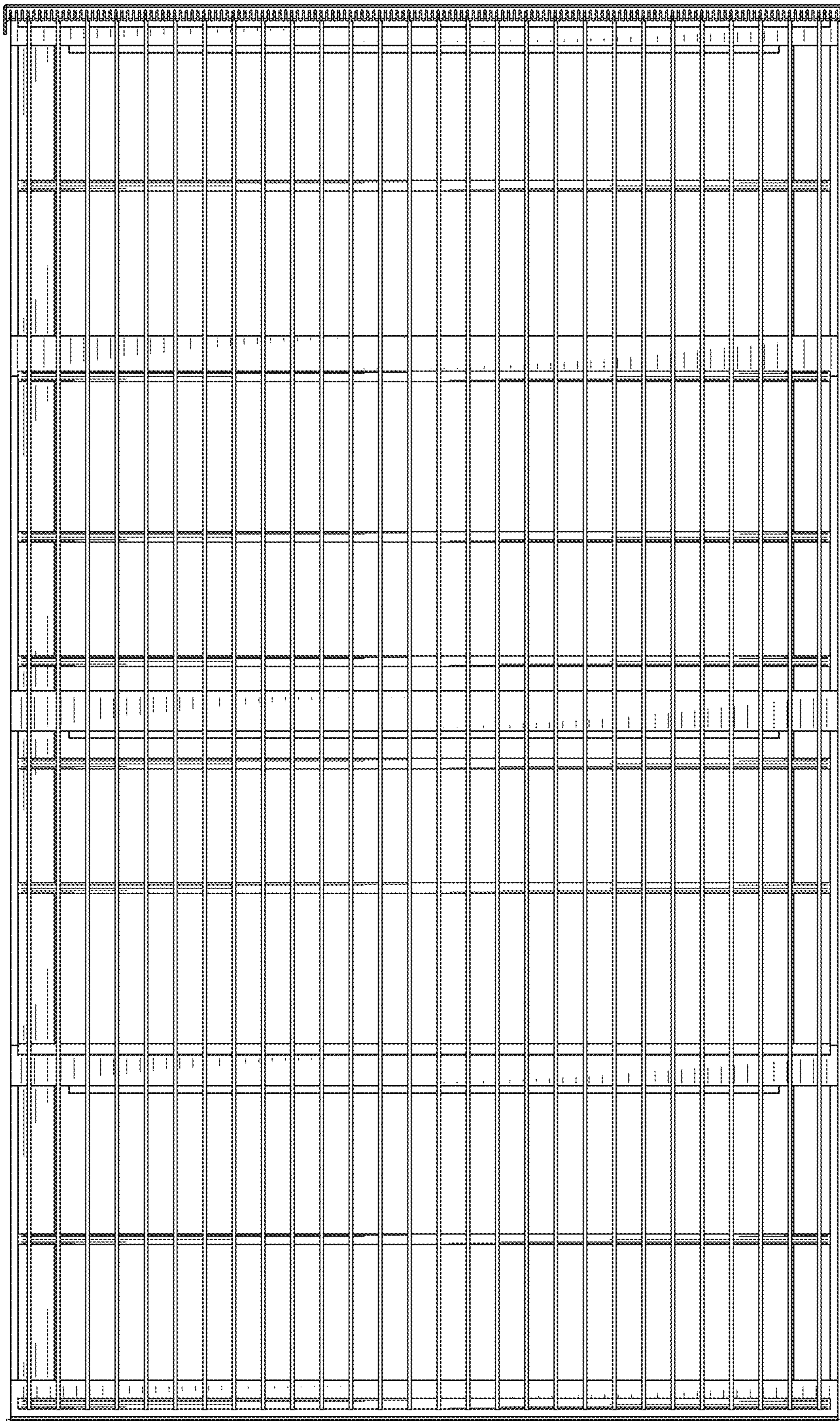


FIG. 6



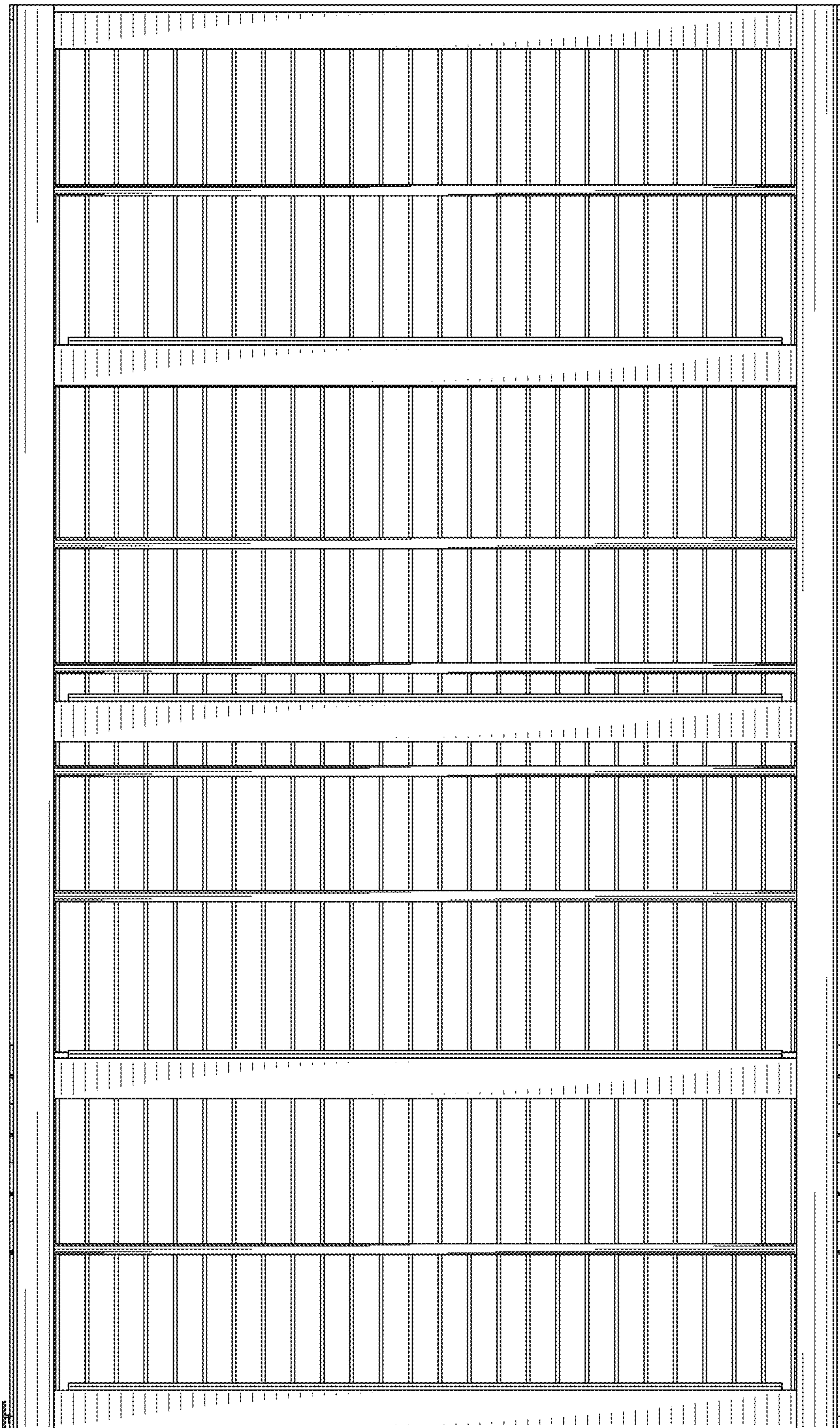


FIG. 7

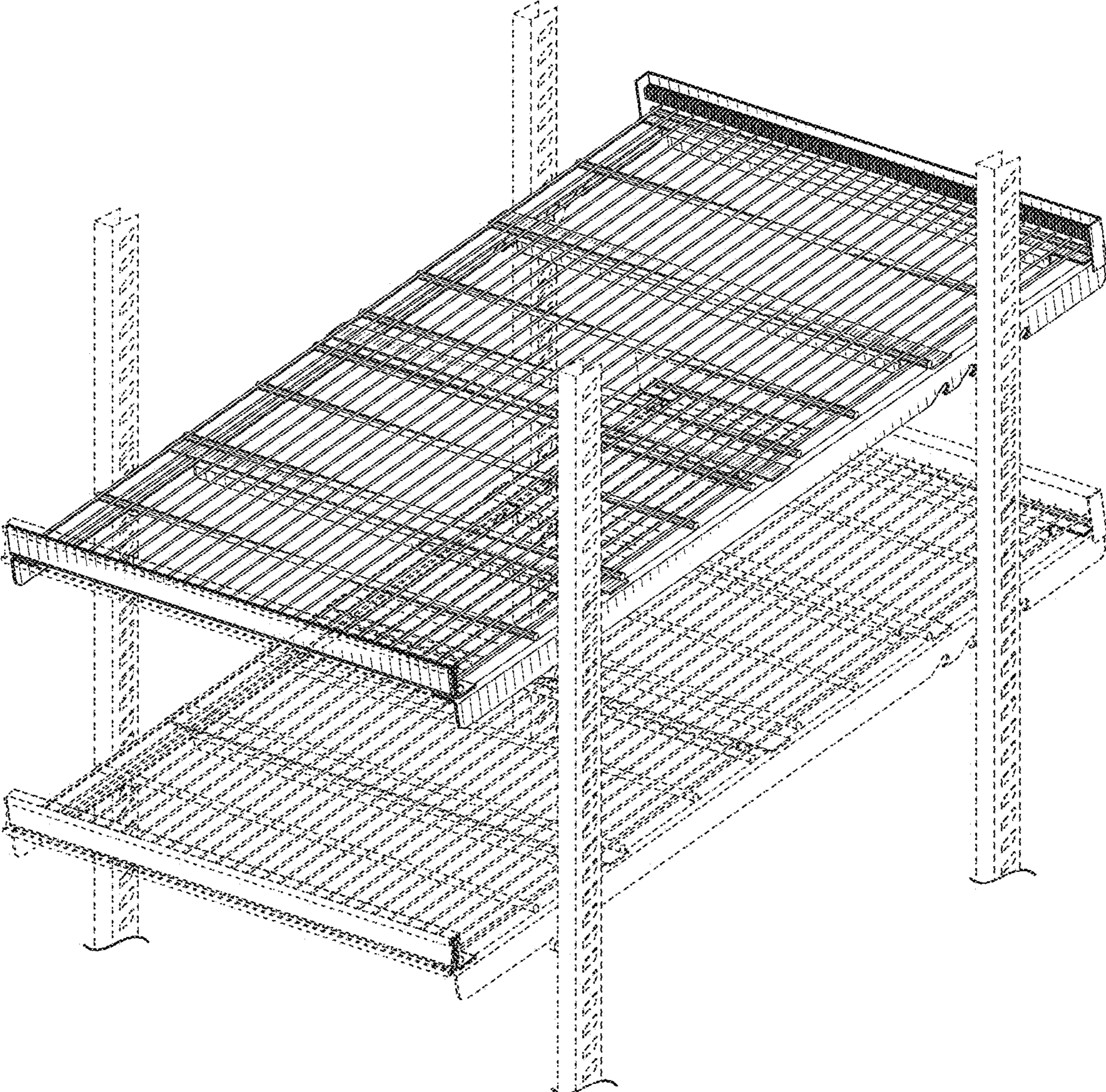


FIG. 8