



US00D905481S

(12) **United States Design Patent** (10) **Patent No.:** **US D905,481 S**  
**Chen** (45) **Date of Patent:** **\*\* Dec. 22, 2020**

(54) **VANITY CABINET**

- (71) Applicant: **Cambium Business Group, Inc.**, Buena Park, CA (US)
- (72) Inventor: **Yanxin Chen**, Buena Park, CA (US)
- (73) Assignee: **CAMBIUM BUSINESS GROUP, INC.**, Buena Park, CA (US)
- (\*\*) Term: **15 Years**

- (21) Appl. No.: **29/671,067**
- (22) Filed: **Nov. 21, 2018**
- (51) **LOC (12) Cl.** ..... **06-04**
- (52) **U.S. Cl.**  
USPC ..... **D6/671.1**
- (58) **Field of Classification Search**  
USPC ..... D6/329, 663, 671, 671.1, 702, 705,  
D6/705.2, 705.4, 705.5, 708, 710  
CPC ..... A47B 49/004; A47B 67/00; A47B 77/06;  
A47B 88/90; A47B 2220/03; A47B  
2095/24; A47F 3/043; A47F 7/03; A47F  
7/021  
See application file for complete search history.

(56) **References Cited**

**U.S. PATENT DOCUMENTS**

D198,320 S *	6/1964	Smith, Jr. ....	D6/671.1
D224,925 S *	10/1972	Adkinson ....	D6/671.1
D231,172 S *	4/1974	Carter ....	D6/671.1
D234,387 S *	2/1975	Hodges ....	D6/651
D259,686 S *	6/1981	West ....	D6/671.1
D268,975 S *	5/1983	Woudstra ....	D6/671.1
D373,491 S *	9/1996	Walters, III ....	D6/671.1
D385,723 S *	11/1997	Palka ....	D6/671.1
D397,559 S *	9/1998	Zaidman ....	D6/671.1
D508,347 S *	8/2005	Juneau ....	D6/671.1
D568,063 S *	5/2008	Thompson ....	D6/671.1
D574,630 S *	8/2008	Clucas ....	D6/671.1
D722,241 S *	2/2015	Chen ....	D6/671.1

(Continued)

**OTHER PUBLICATIONS**

“Fairmont Designs—Ambassador 1543-V48 48-inch Vanity.” Found online Jun. 17, 2020 at www.fairmontdesigns.com. Page dated Jun. 2019. Retrieved from URL: http://www.fairmontdesigns.com/bath/wp-content/uploads/2019/02/1543-V48\_062119.pdf (Year: 2019).\*  
(Continued)

*Primary Examiner* — Mary Ann Calabrese  
*Assistant Examiner* — Katelin G Kloberg  
(74) *Attorney, Agent, or Firm* — Cislo & Thomas, LLP

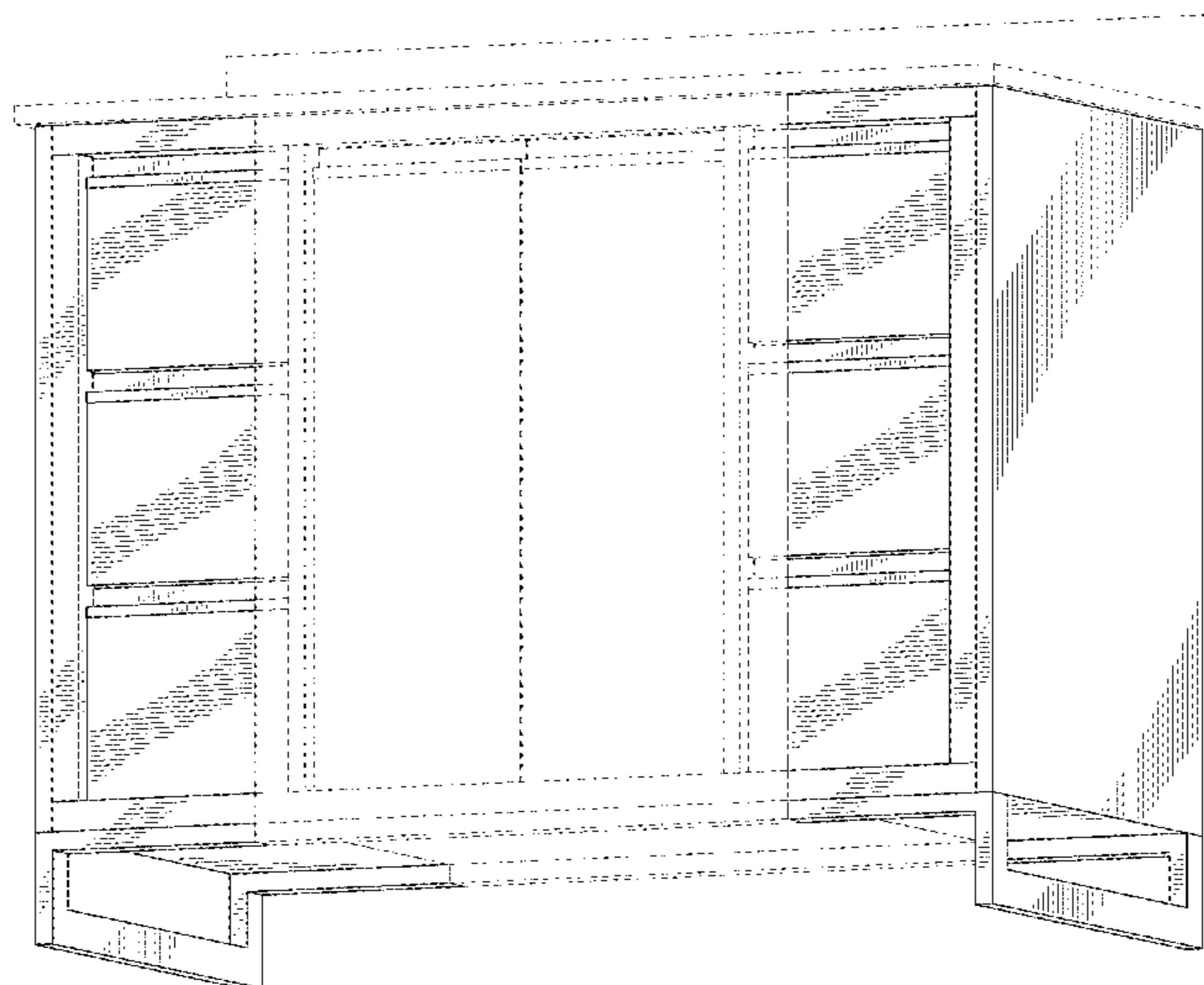
(57) **CLAIM**

I claim the ornamental design for a vanity cabinet, as shown and described.

**DESCRIPTION**

FIG. 1 is a perspective view of a vanity cabinet, showing my new design;  
FIG. 2 is a front view thereof;  
FIG. 3 is a right side elevation view of the vanity cabinet, with the left side being a mirror image thereof;  
FIG. 4 is a cross-section view taken along line 4-4 in FIG. 2;  
FIG. 5 is a cross-section view taken along line 5-5 in FIG. 2;  
FIG. 6 is a cross-section view taken along line 6-6 in FIG. 2; and,  
FIG. 7 is a cross-section view taken along line 7-7 in FIG. 2.  
The evenly-spaced broken lines depict portions of the article that form no part of the claimed design. The dash-dot-dot-dash broken lines depict boundaries of the claim that form no part of the claimed design.  
The bottom of the vanity cabinet shown in evenly-spaced broken line form no part of the claimed design. The rear view not shown forms no part of the claimed design.

**1 Claim, 4 Drawing Sheets**



(56)

**References Cited**

U.S. PATENT DOCUMENTS

D734,071 S \* 7/2015 Zhao ..... D6/671.1  
D770,815 S \* 11/2016 Jackson ..... D6/671.1  
D784,736 S \* 4/2017 Chen ..... D6/671.1  
D791,516 S \* 7/2017 Everson ..... D6/671.1  
D846,317 S \* 4/2019 Chen ..... D6/663  
D862,132 S \* 10/2019 Bhatt-Patel ..... D6/663  
D867,791 S \* 11/2019 Birch ..... D6/671

OTHER PUBLICATIONS

“Zeus 40-inch Standing Bathroom Vanity.” Found online Jun. 17, 2020 at [www.amazon.com](http://www.amazon.com). Product reviewed Mar. 17, 2018. Retrieved from URL: [https://www.amazon.comn/CV-Bath-Collection-Standing-Furniture/dp/B079G4XQ33/ref=psdc\\_6810202011\\_t2\\_B079G1LG1J?th=1](https://www.amazon.comn/CV-Bath-Collection-Standing-Furniture/dp/B079G4XQ33/ref=psdc_6810202011_t2_B079G1LG1J?th=1) (Year: 2018).\*

\* cited by examiner

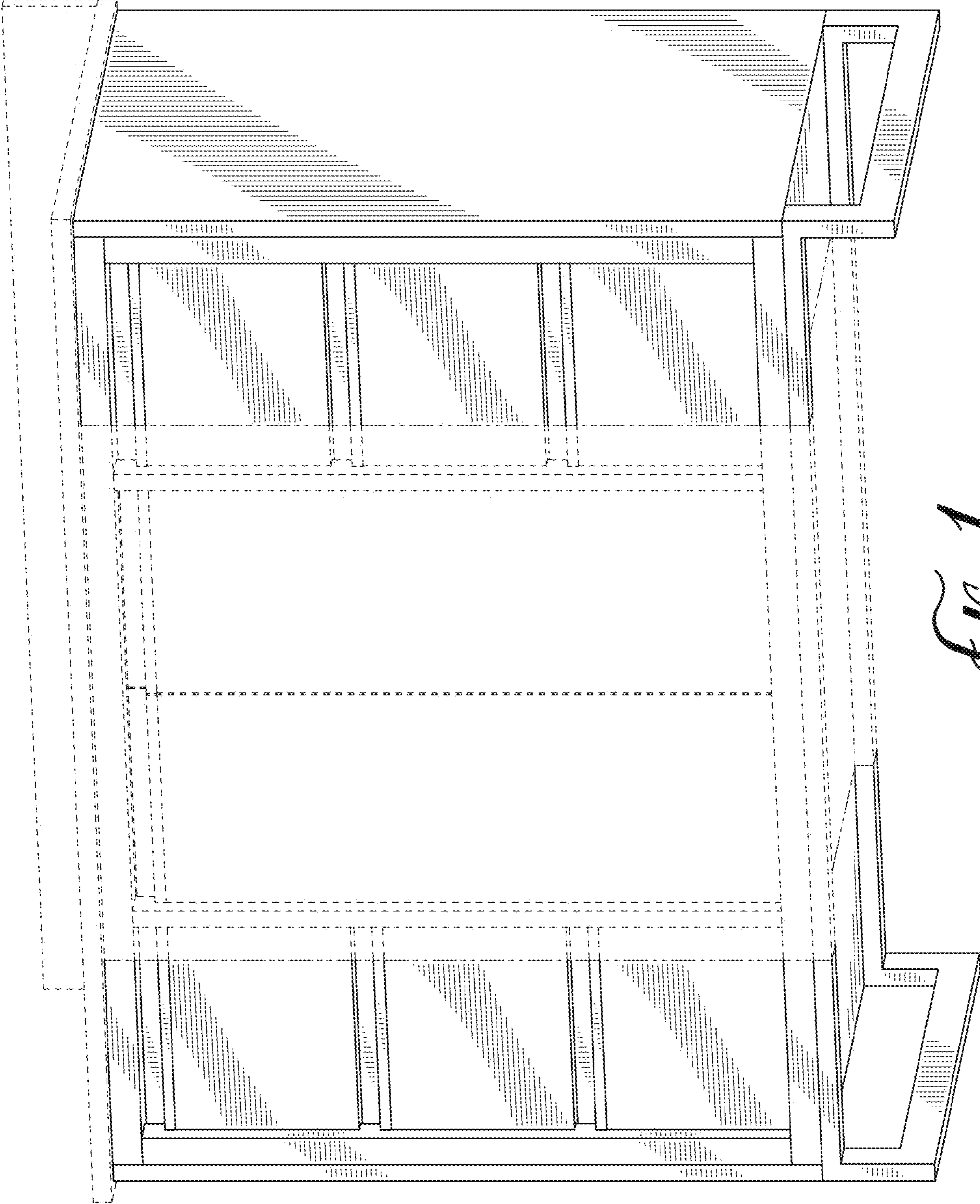
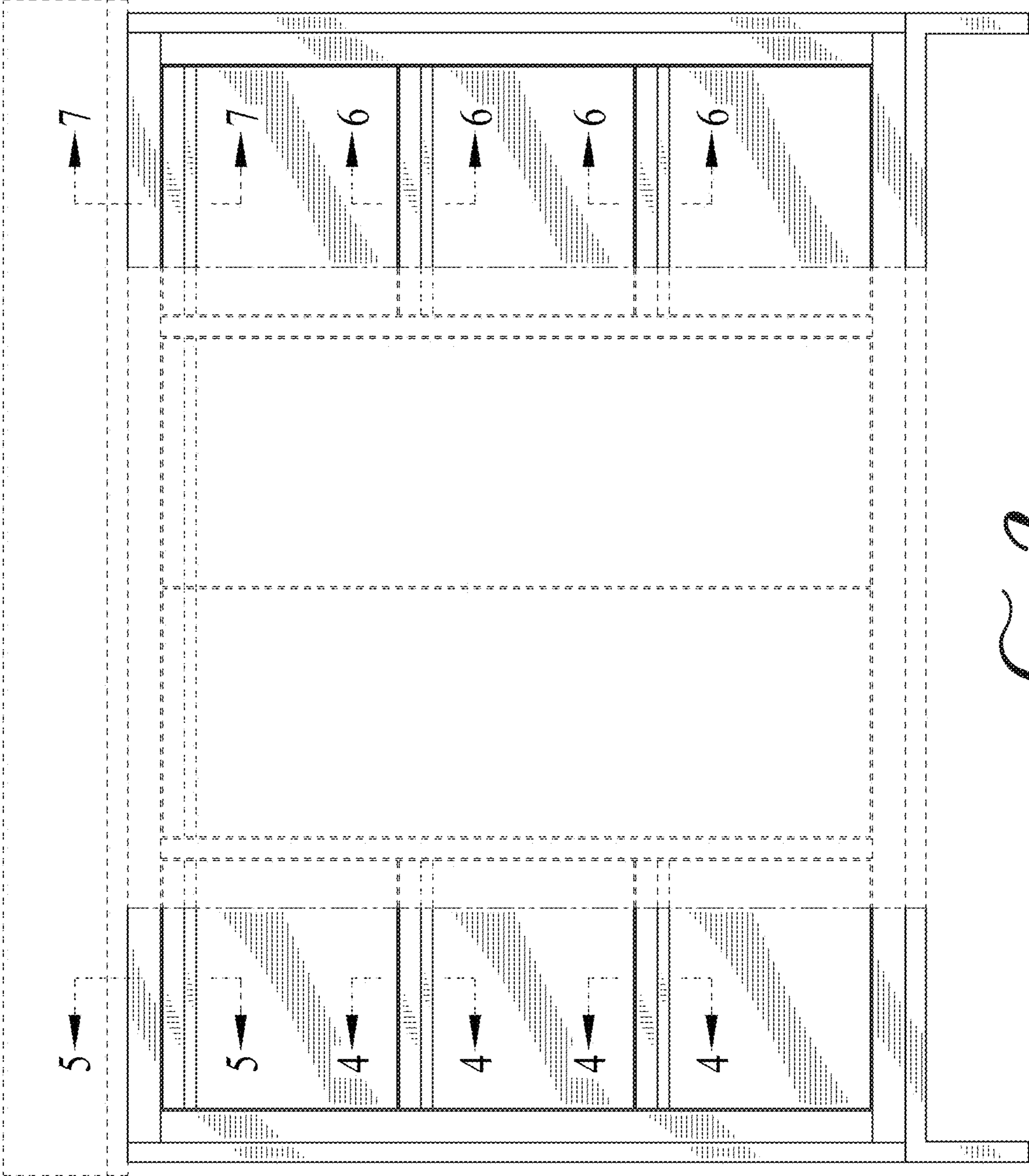


FIG. 1





*FIG. 2*

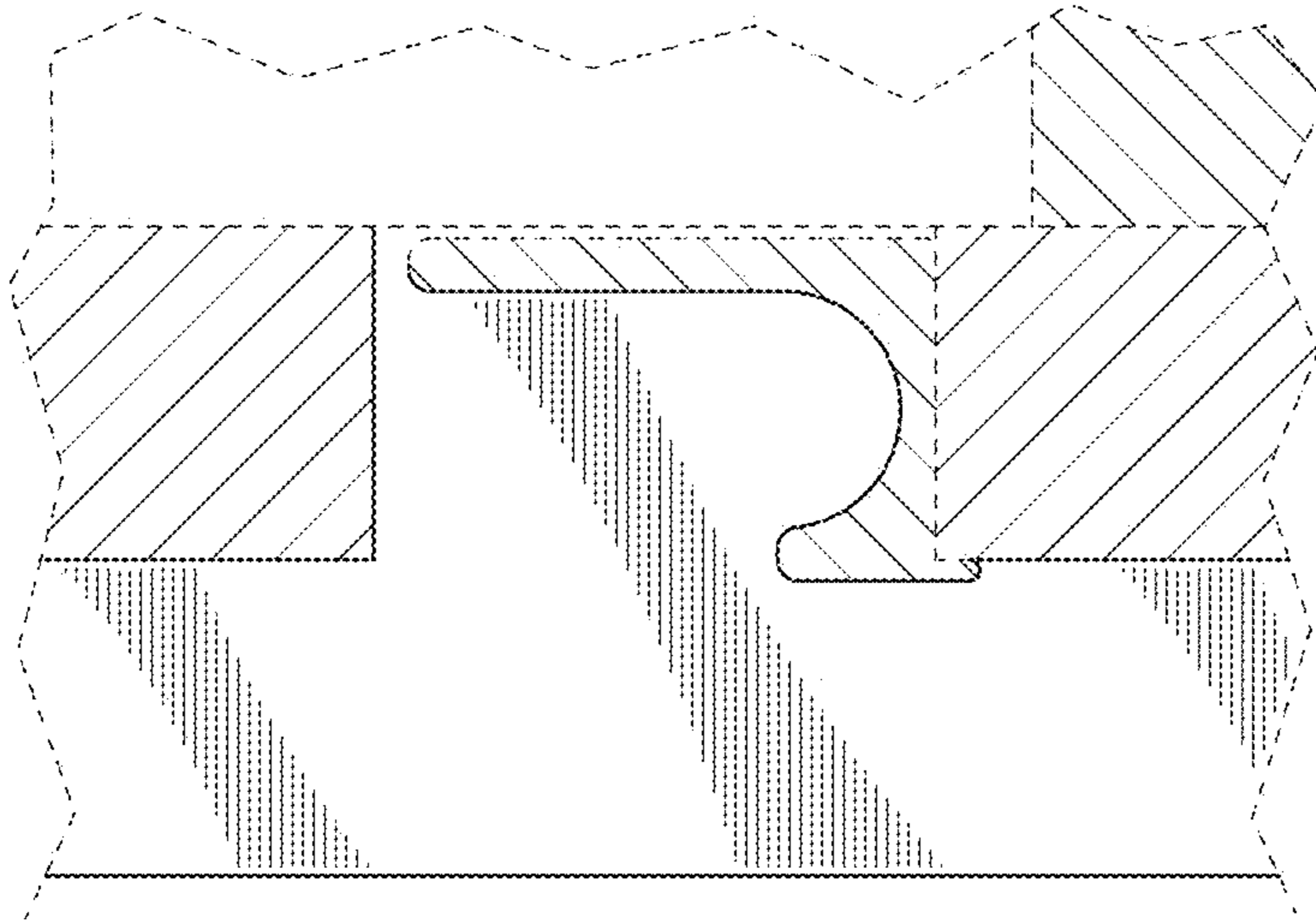


FIG. 1

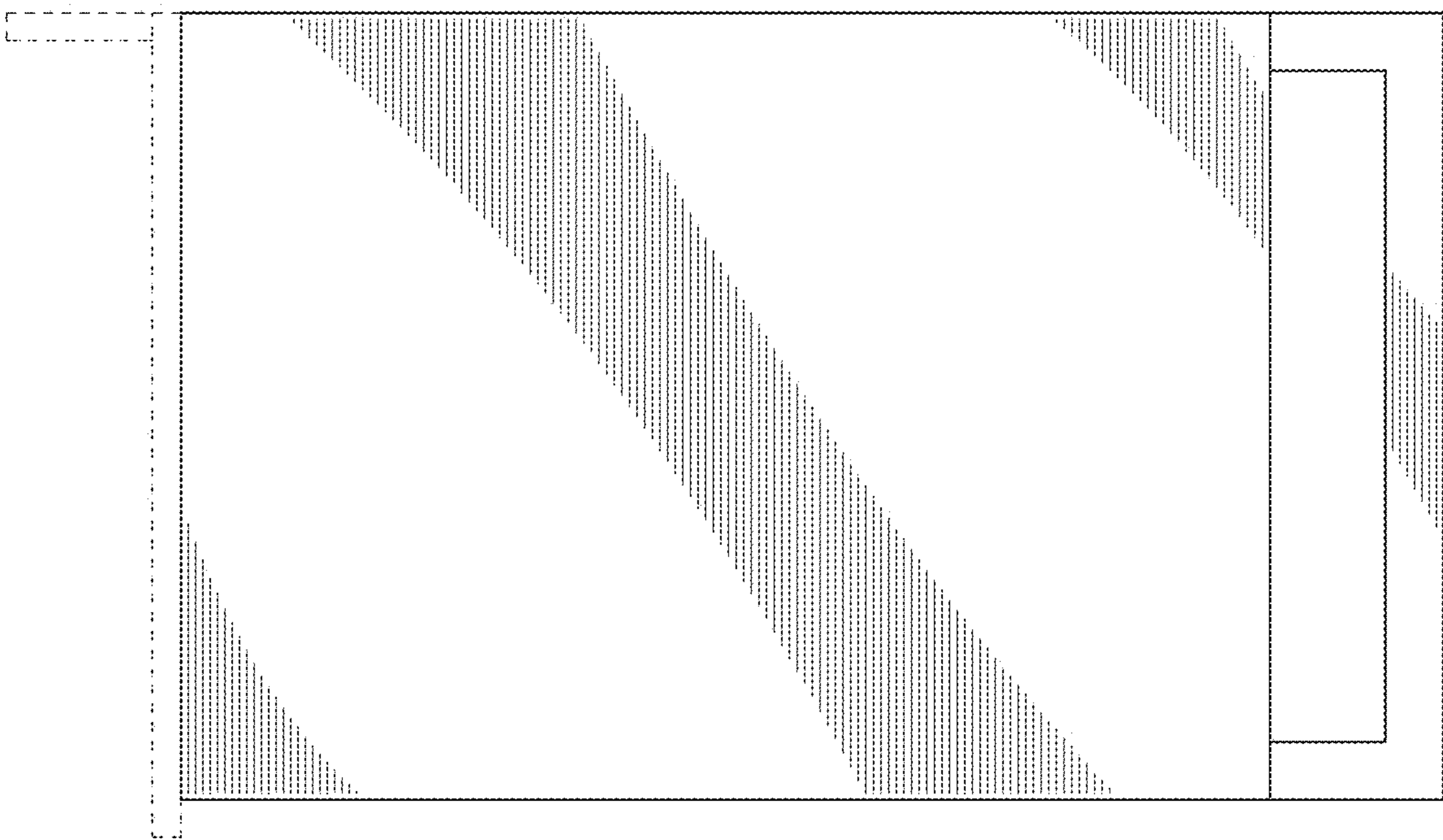


FIG. 3

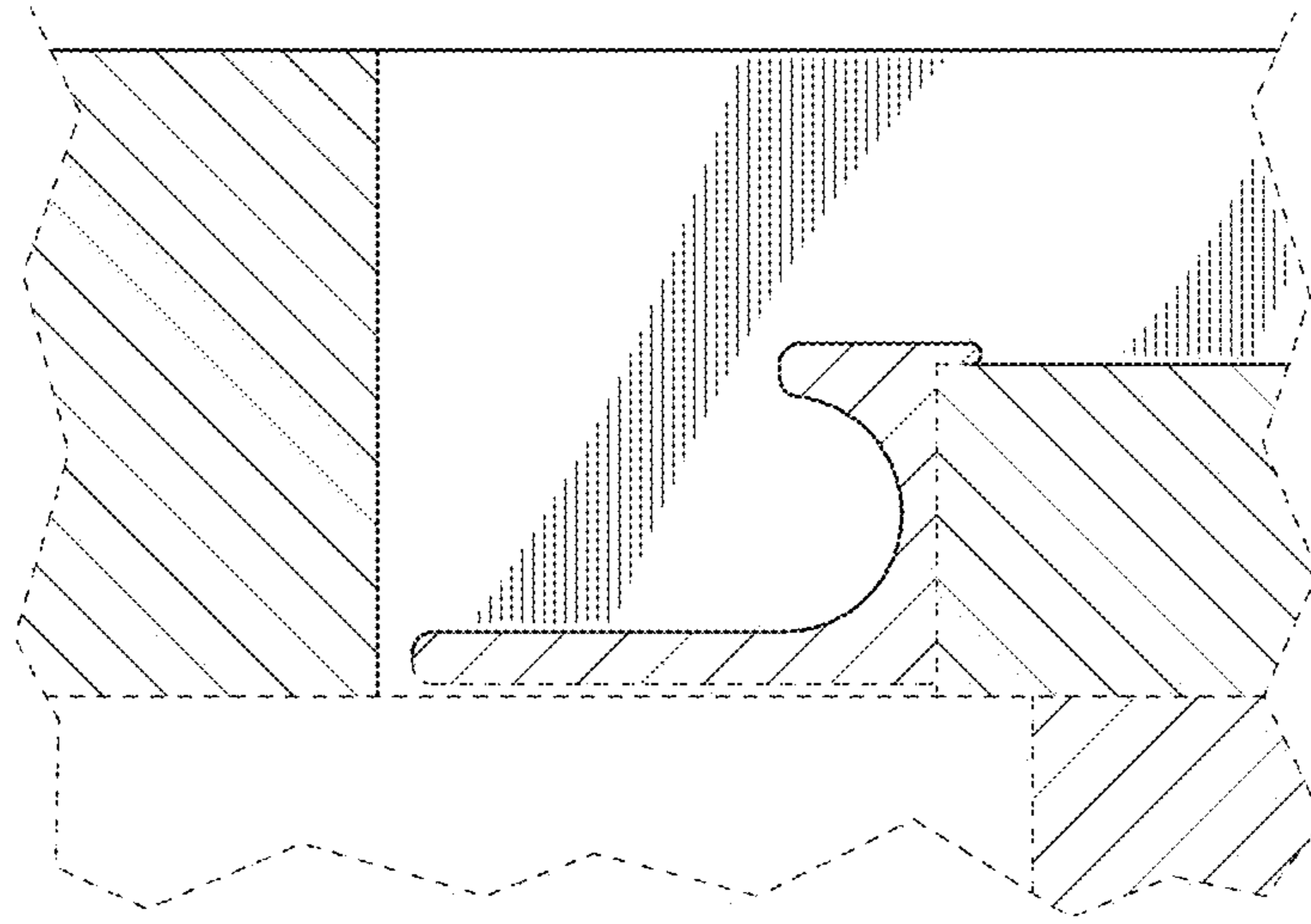


FIG. 7

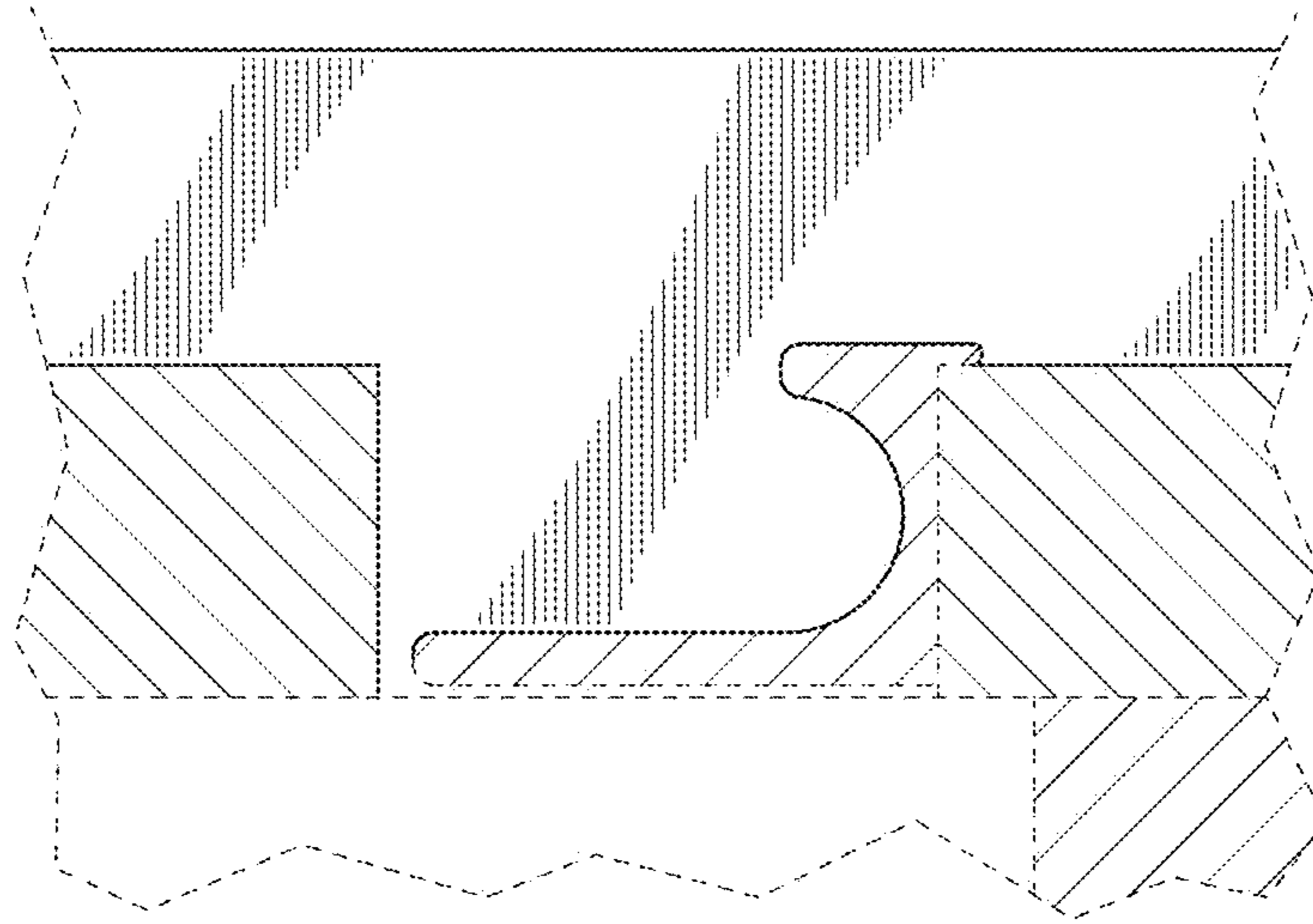


FIG. 8

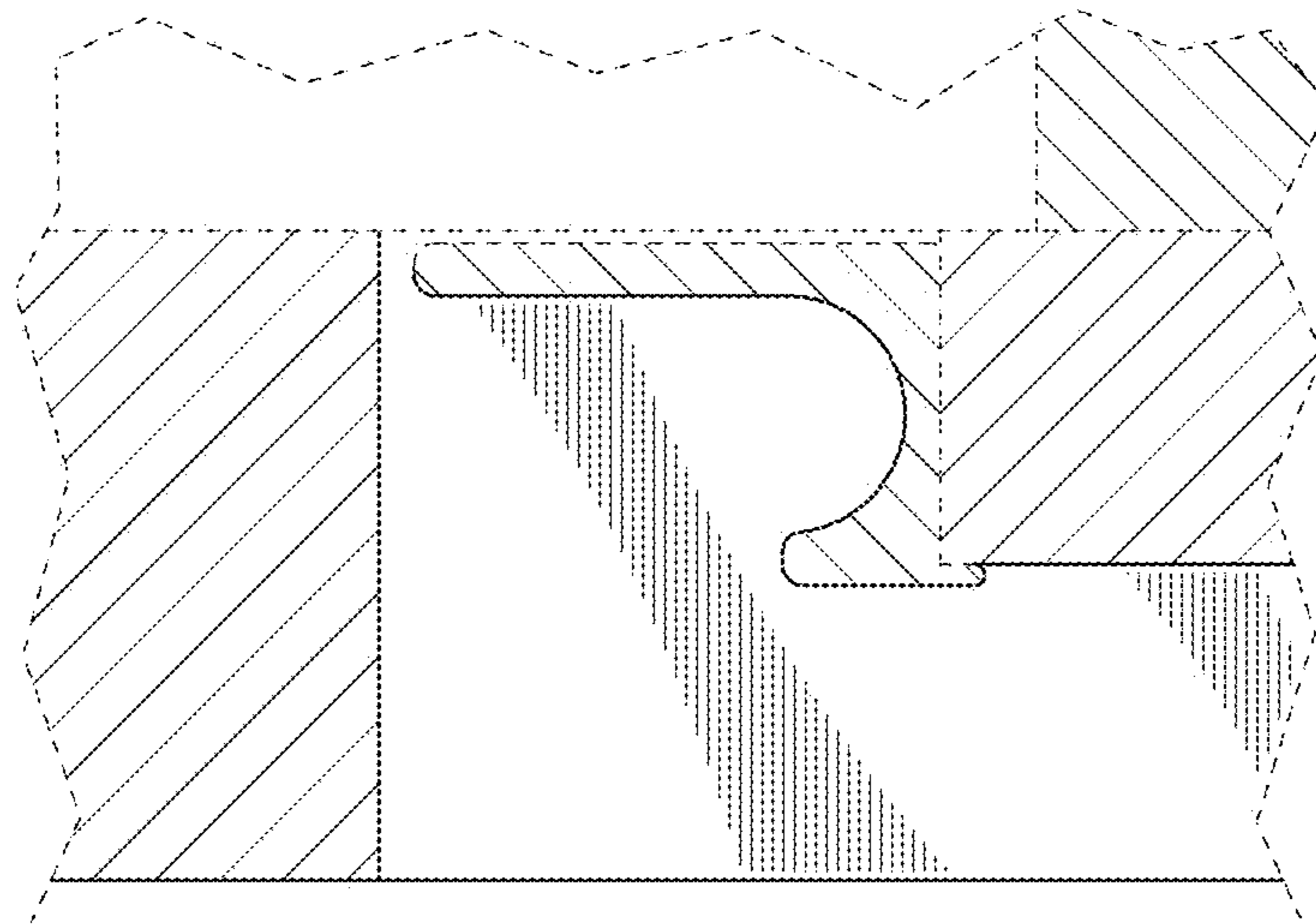


FIG. 9