



US00D905480S

(12) **United States Design Patent** (10) **Patent No.:** **US D905,480 S**
Bakker (45) **Date of Patent:** **** Dec. 22, 2020**

(54) **FILING PEDESTAL**

(71) Applicant: **HNI Technologies Inc.**, Muscatine, IA (US)

(72) Inventor: **Mitchell R. Bakker**, Holland, MI (US)

(73) Assignee: **HNI Technologies Inc.**, Muscatine, IA (US)

(**) Term: **15 Years**

(21) Appl. No.: **29/641,711**

(22) Filed: **Mar. 23, 2018**

(51) **LOC (12) Cl.** **06-06**

(52) **U.S. Cl.**
USPC **D6/671**

(58) **Field of Classification Search**
USPC D6/663, 671, 671.1, 657, 668.2, 671.2,
D6/671.3, 671.4, 703, 682; D5/54, 59;
(Continued)

(56) **References Cited**

U.S. PATENT DOCUMENTS

1,471,712 A 10/1923 Friedrich
3,429,632 A * 2/1969 Fiterman A47B 63/00
312/259

(Continued)

FOREIGN PATENT DOCUMENTS

JP 1150476 S 8/2002
JP 1315782 S 11/2007
JP 1372547 S 11/2009

Primary Examiner — Kelley A Donnelly

(74) *Attorney, Agent, or Firm* — Faegre Drinker Biddle & Reath LLP

(57) **CLAIM**

The ornamental design for a filing pedestal, as shown and described.

DESCRIPTION

FIG. 1 is an isometric view of a first embodiment of a filing pedestal from a first, top perspective.

FIG. 2 is an isometric view of the first embodiment of the filing pedestal from a second, bottom perspective.

FIG. 3 is a front view of the first embodiment of the filing pedestal.

FIG. 4 is a rear view of the first embodiment of the filing pedestal.

FIG. 5 is a left side view of the first embodiment of the filing pedestal.

FIG. 6 is a right side view of the first embodiment of the filing pedestal.

FIG. 7 is a top view of the first embodiment of the filing pedestal.

FIG. 8 is a bottom view of the first embodiment of the filing pedestal.

FIG. 9 is an isometric view of a second embodiment of a filing pedestal from a first, top perspective.

FIG. 10 is an isometric view of the second embodiment of the filing pedestal from a second, bottom perspective.

FIG. 11 is a front view of the second embodiment of the filing pedestal.

FIG. 12 is a rear view of the second embodiment of the filing pedestal.

FIG. 13 is a left side view of the second embodiment of the filing pedestal.

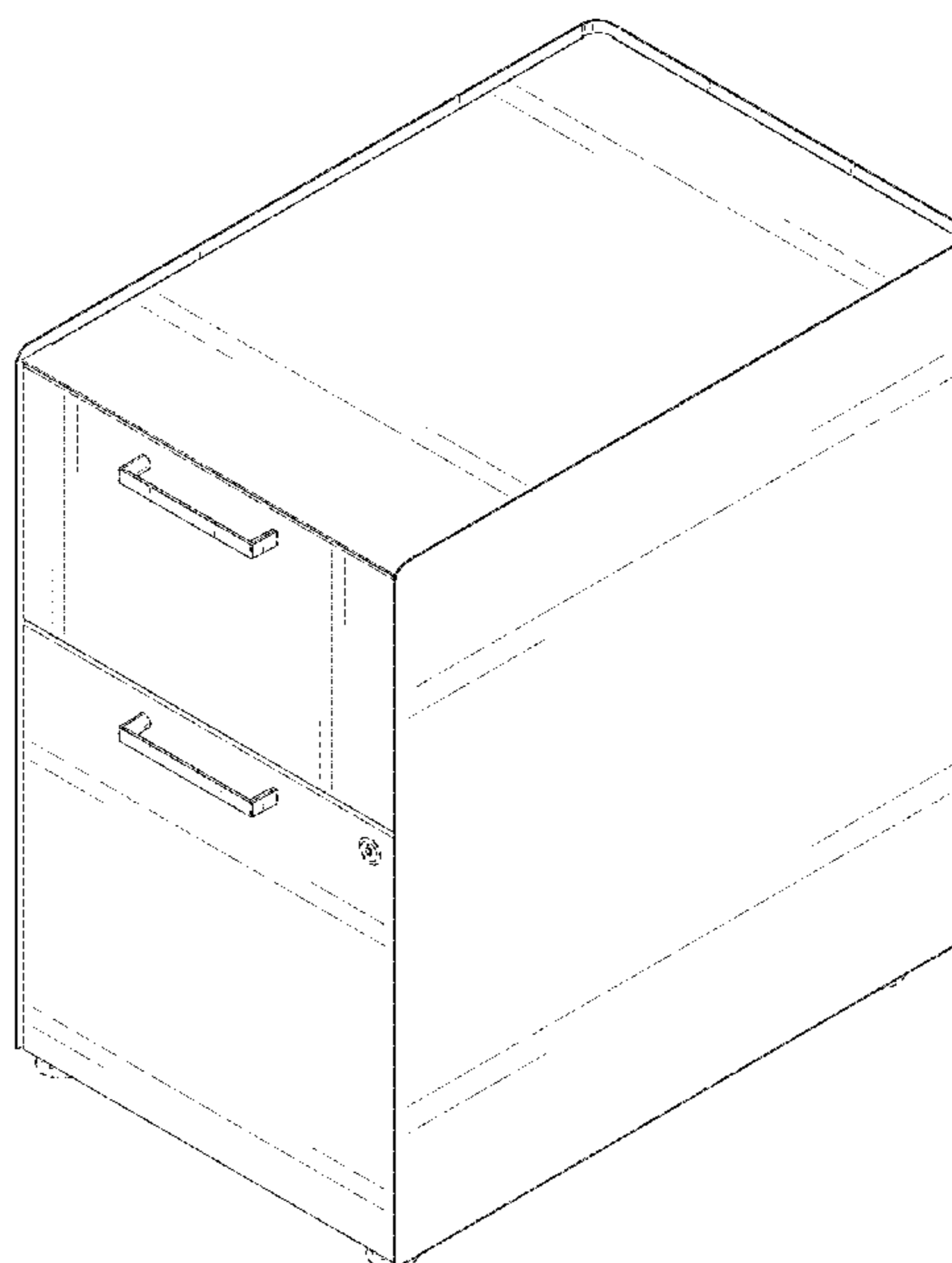
FIG. 14 is a right side view of the second embodiment of the filing pedestal.

FIG. 15 is a top view of the second embodiment of the filing pedestal; and,

FIG. 16 is a bottom view of the second embodiment of the filing pedestal.

Features shown as broken lines form no part of the claimed design.

1 Claim, 16 Drawing Sheets



US D905,480 S

Page 2

(58) **Field of Classification Search**

USPC D25/157, 163; D19/101, 102, 106, 75,
D19/86, 95
CPC A47F 3/00; A47F 5/0018; A47B 63/02;
A47B 67/02; A47B 47/024; A47B 88/48;
A47B 67/00; A47B 47/02; A47B 88/40;
B65G 1/00; B65G 1/02
See application file for complete search history.

(56) **References Cited**

U.S. PATENT DOCUMENTS

3,708,709 A 1/1973 Morrison et al.
4,047,773 A * 9/1977 Semany A47B 87/0292
312/111
4,232,920 A * 11/1980 Bukaitz A47B 47/03
312/107
D274,489 S * 7/1984 DeVries D6/675.1
4,518,208 A 5/1985 Marder
4,588,237 A 5/1986 Marder
4,671,580 A * 6/1987 Shiou A47B 47/03
312/265.5
4,712,844 A * 12/1987 Fry F16B 12/18
312/257.1
D296,166 S * 6/1988 Hills D6/671.1
4,790,610 A 12/1988 Welch et al.
D328,824 S * 8/1992 Bellini 312/225
5,199,774 A * 4/1993 Hedinger E05B 65/466
312/219

D341,737 S * 11/1993 Shepherd D6/671.1
5,486,042 A 1/1996 Heisler et al.
D384,525 S * 10/1997 McBrayer D6/671.1
D387,224 S * 12/1997 Dunlap, Jr. D6/671.1
5,975,658 A 11/1999 Verbeek et al.
D419,333 S 1/2000 Verbeek et al.
D424,328 S 5/2000 Dominik
D433,248 S 11/2000 Hellwig et al.
6,253,399 B1 7/2001 Wagner
6,435,461 B1 8/2002 Saylor et al.
6,619,768 B1 9/2003 Northrop et al.
D514,846 S * 2/2006 McDiarmid D6/671.1
D537,651 S * 3/2007 Seo D6/671.1
D588,171 S * 3/2009 Dawson D15/87
D745,576 S * 12/2015 Sherman D15/80
D759,995 S * 6/2016 Miller D6/668.2
9,468,305 B2 * 10/2016 Flora A47C 17/58
D771,416 S * 11/2016 Miller D6/668.2
D807,084 S * 1/2018 Waldner D6/671.1
D813,574 S * 3/2018 Patton D6/671.1
D830,740 S * 10/2018 Shah D6/671.1
D832,625 S * 11/2018 Chiao D6/671
D858,119 S * 9/2019 Nicoll D6/334
D871,114 S * 12/2019 Nicoll D6/671.1
D873,587 S * 1/2020 Nicoll D6/671
2003/0019165 A1 1/2003 Gallant et al.
2004/0217677 A1 11/2004 Durand et al.
2008/0036343 A1 2/2008 Wang
2008/0040982 A1 2/2008 Durand et al.
2010/0064543 A1 3/2010 Helot
2012/0091086 A1 4/2012 Gregory et al.

* cited by examiner

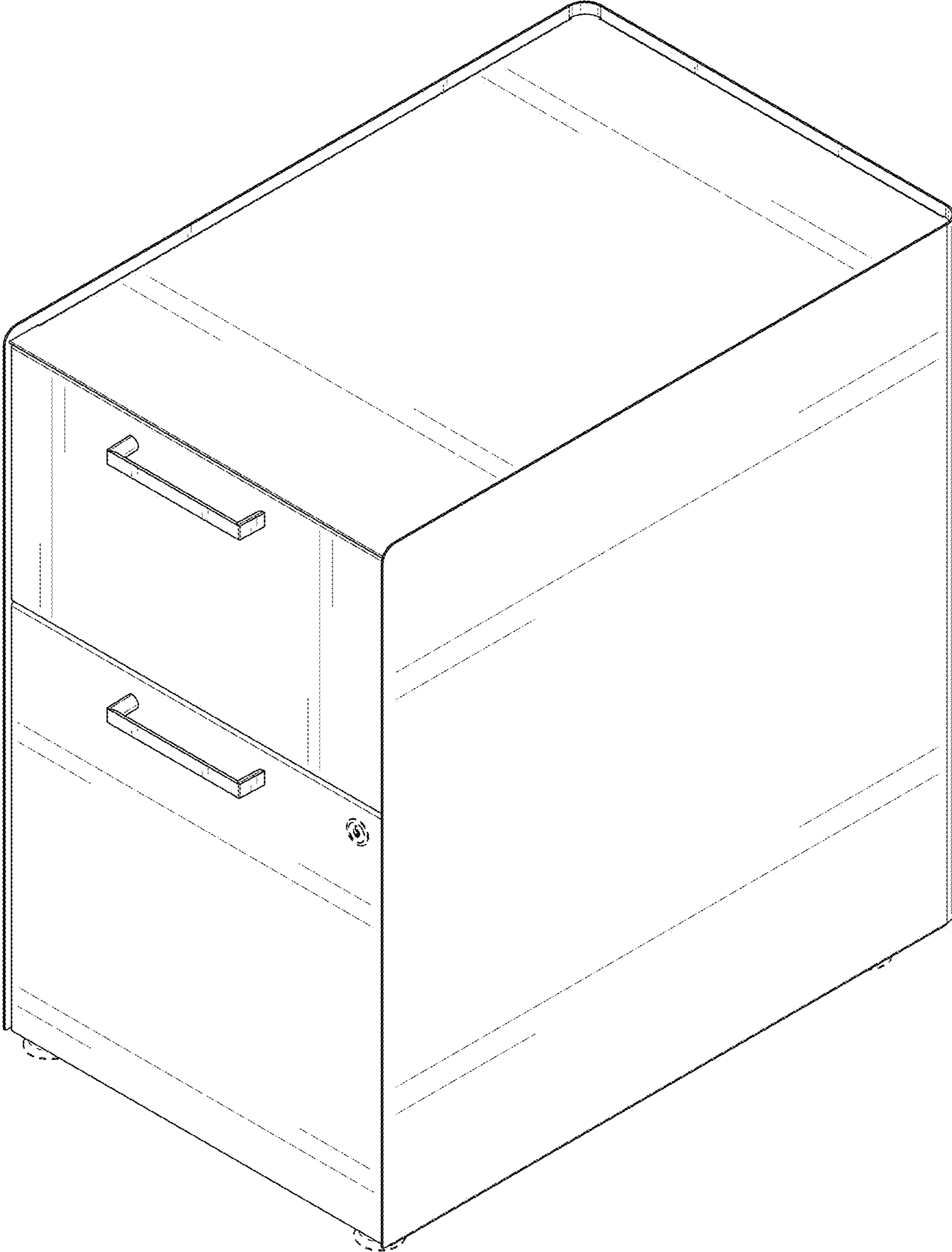


FIG. 1

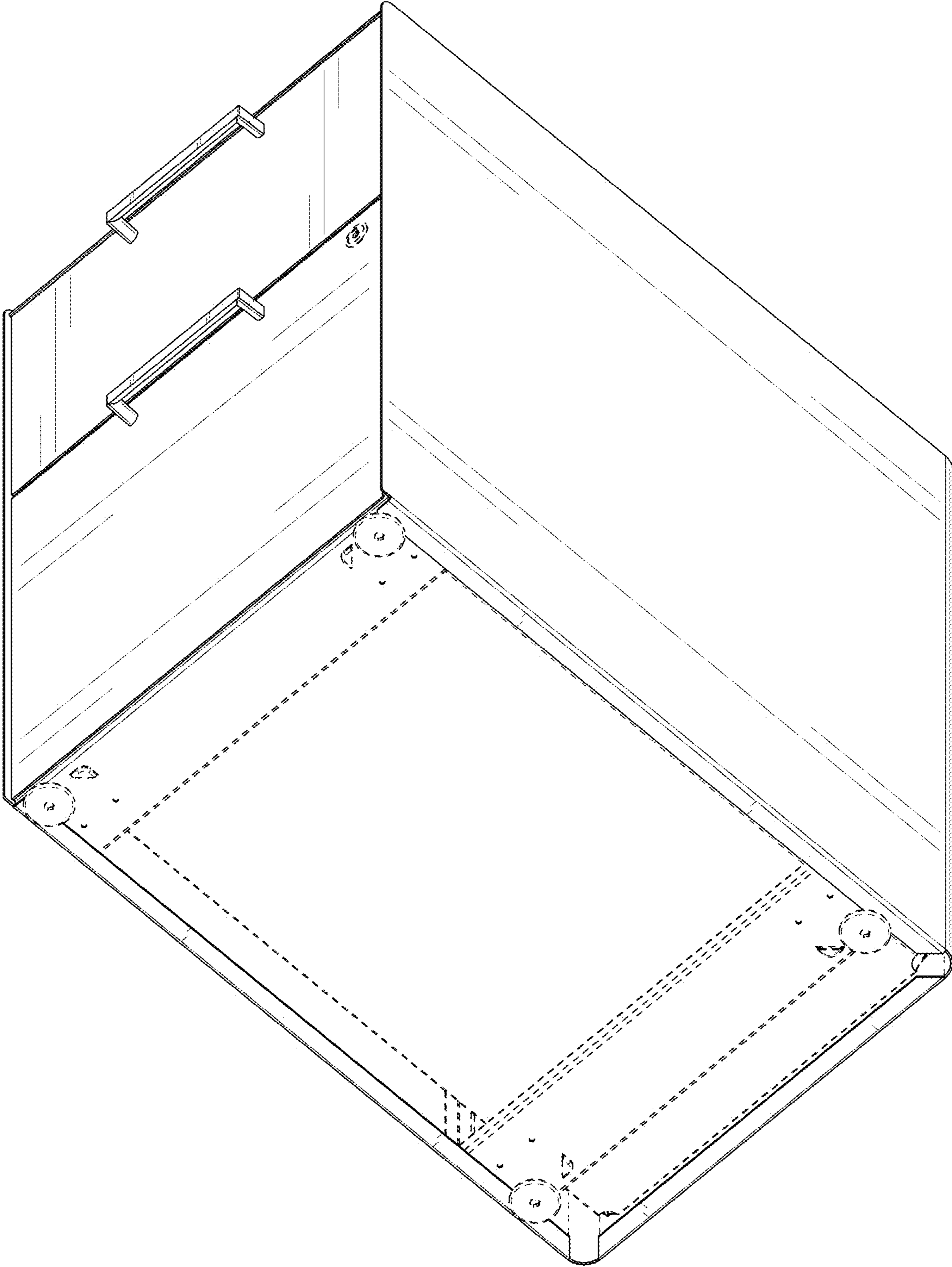


FIG. 2

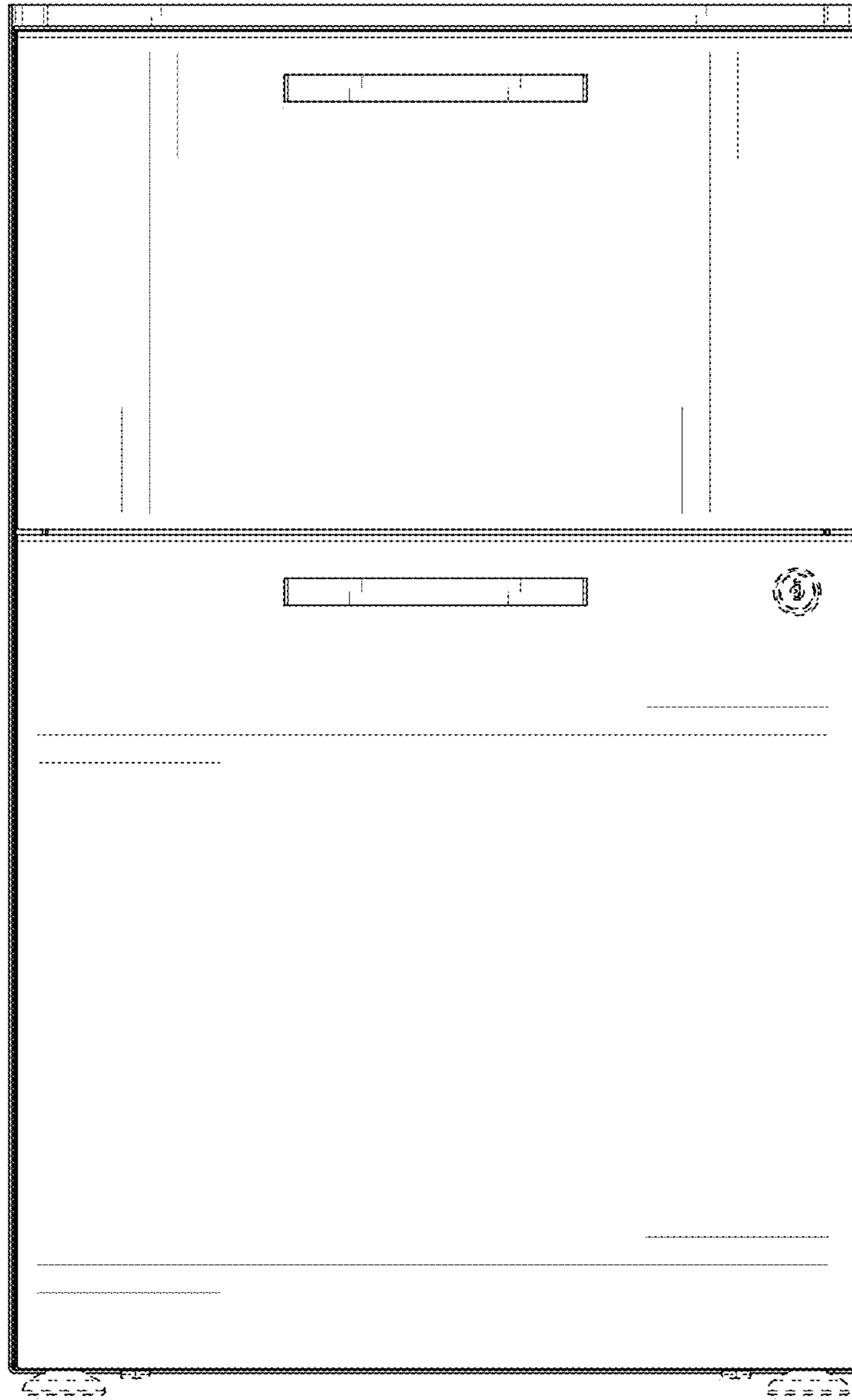


FIG. 3

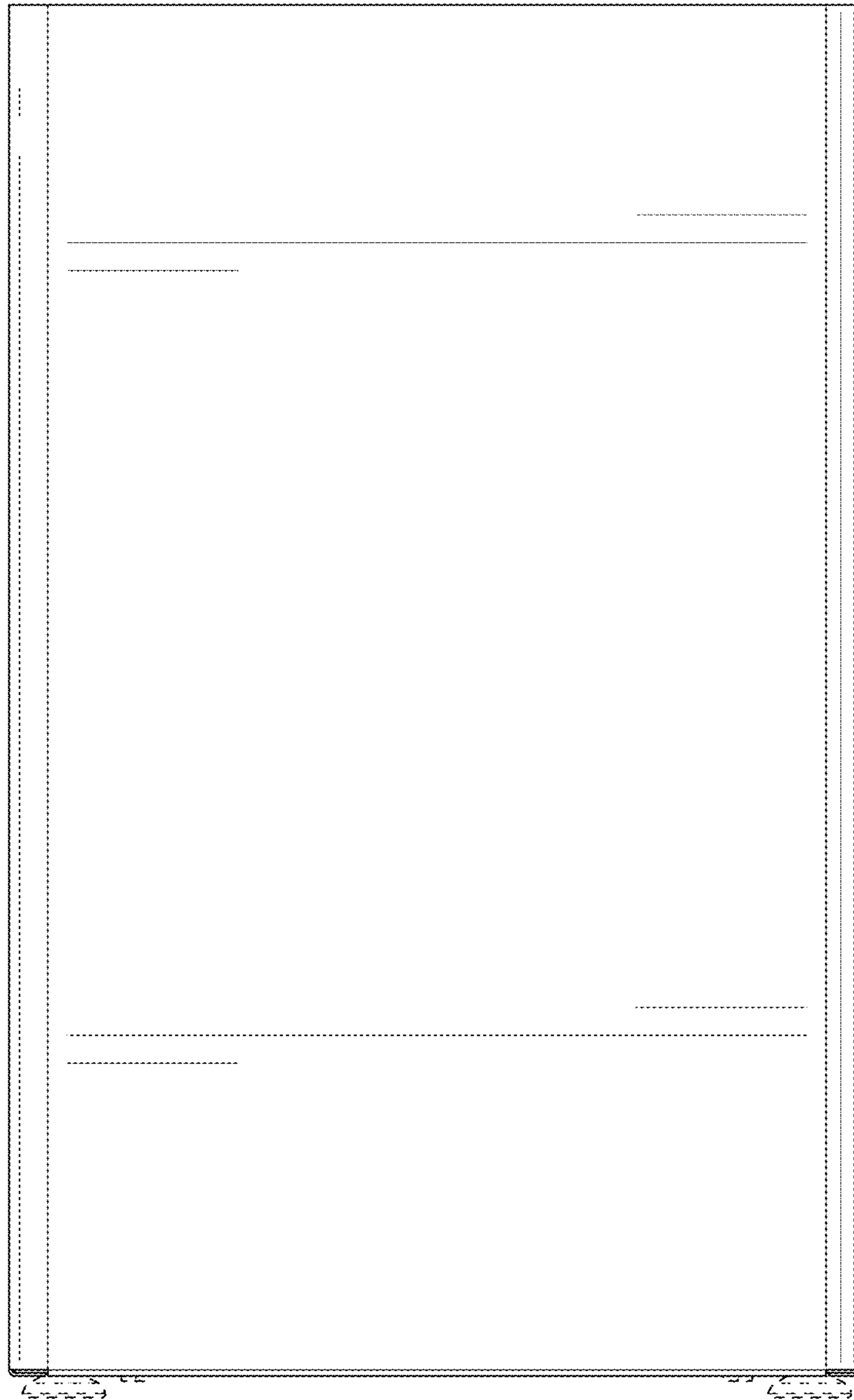


FIG. 4

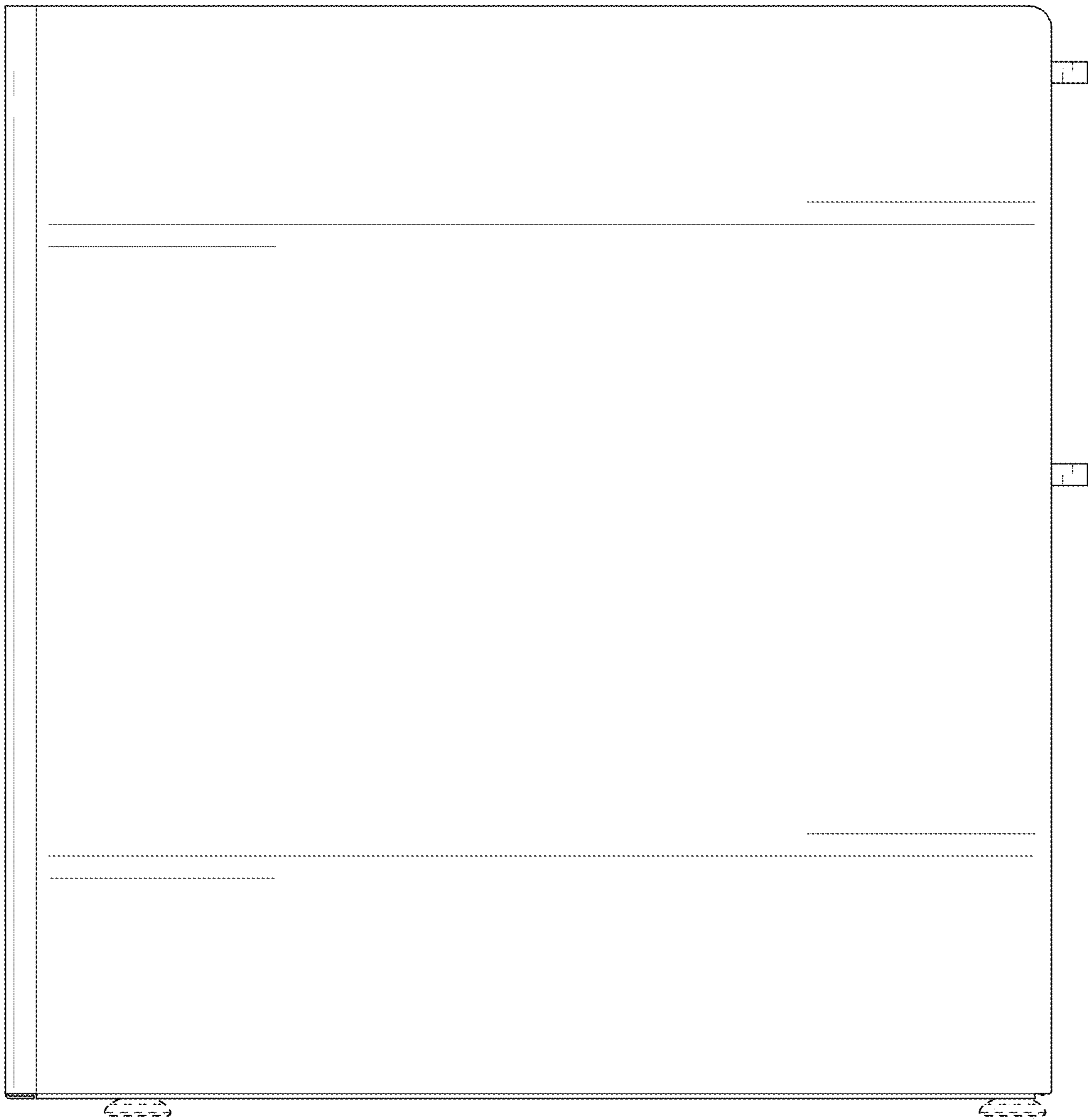


FIG. 5

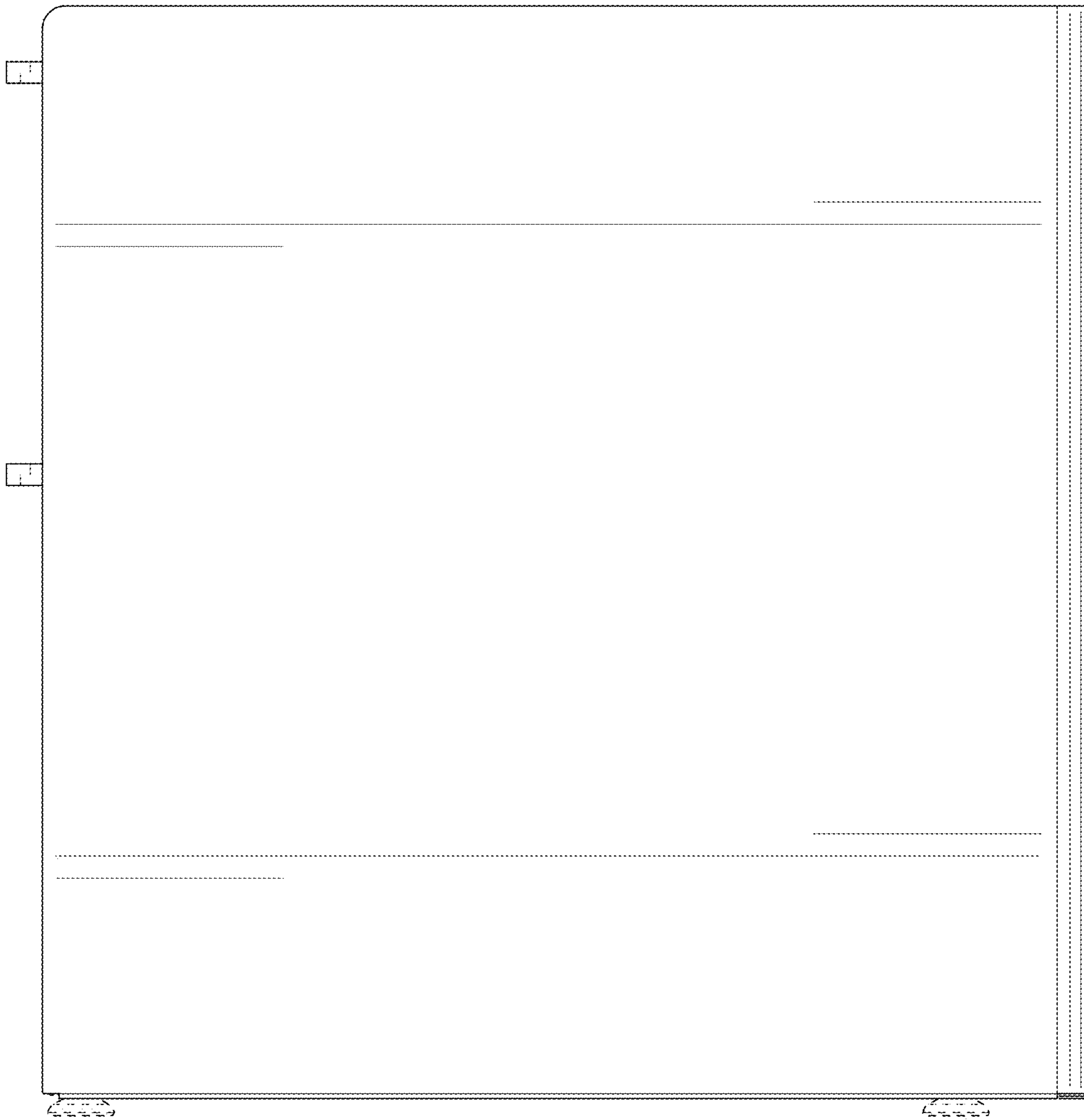


FIG. 6

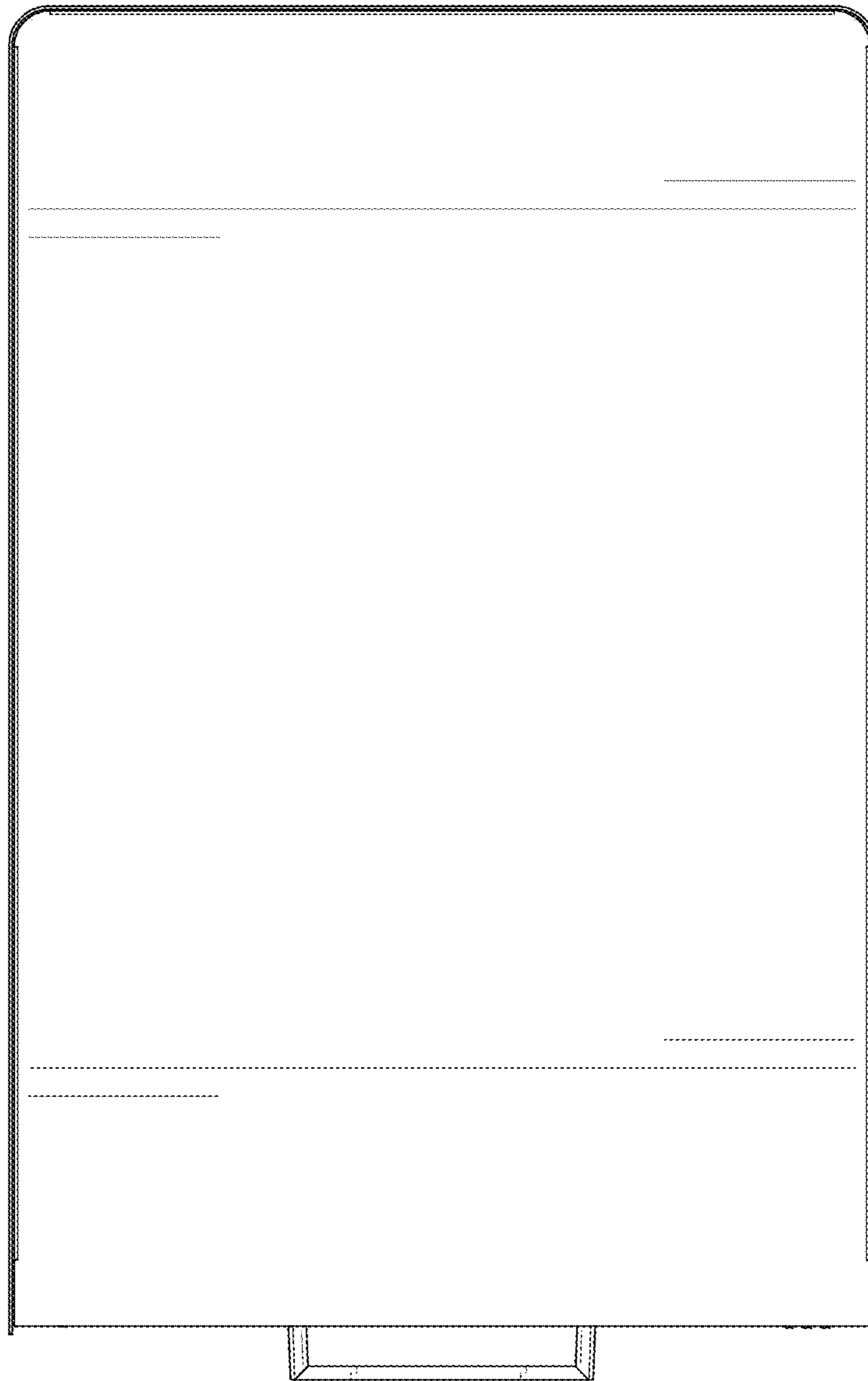


FIG. 7

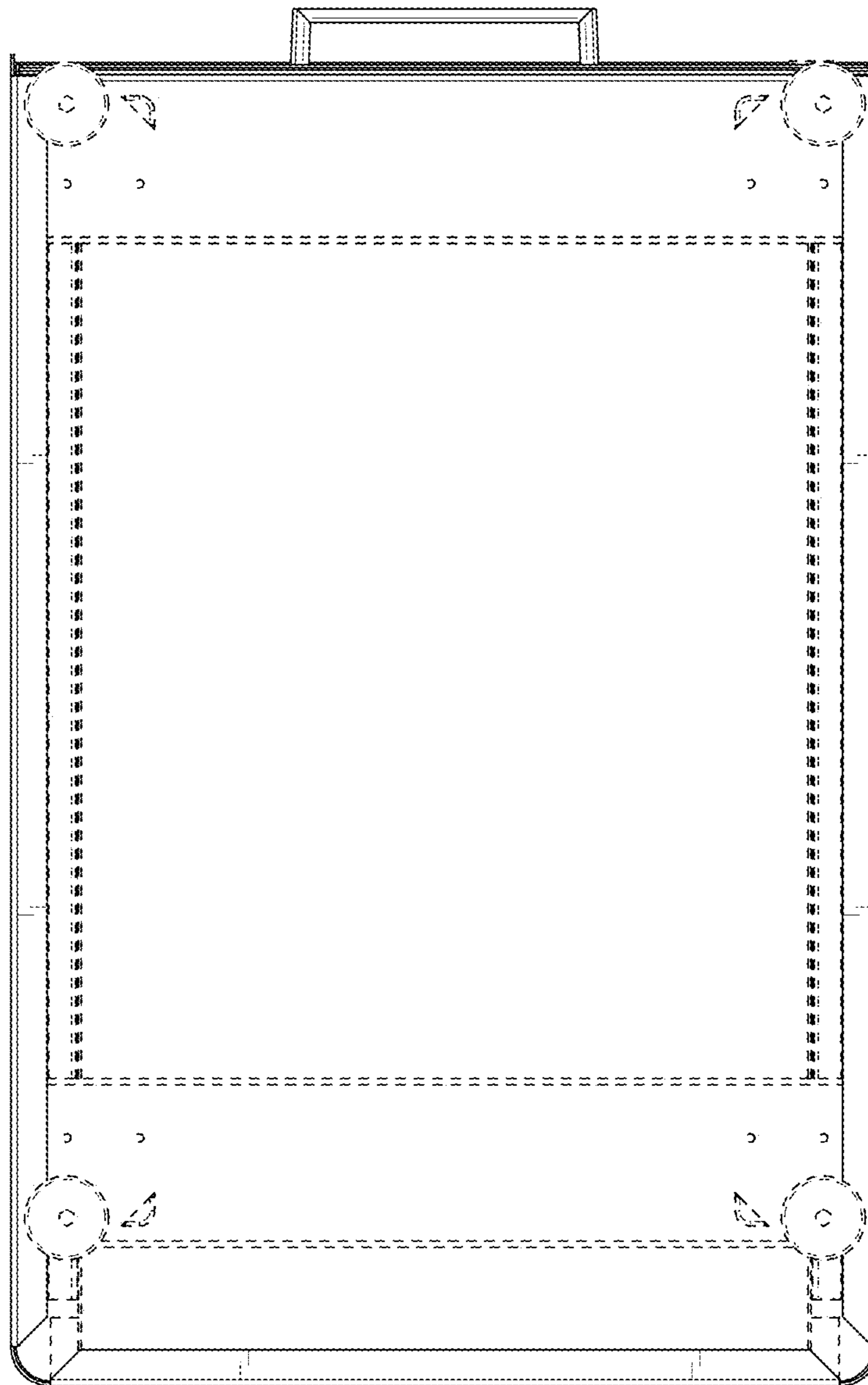


FIG. 8

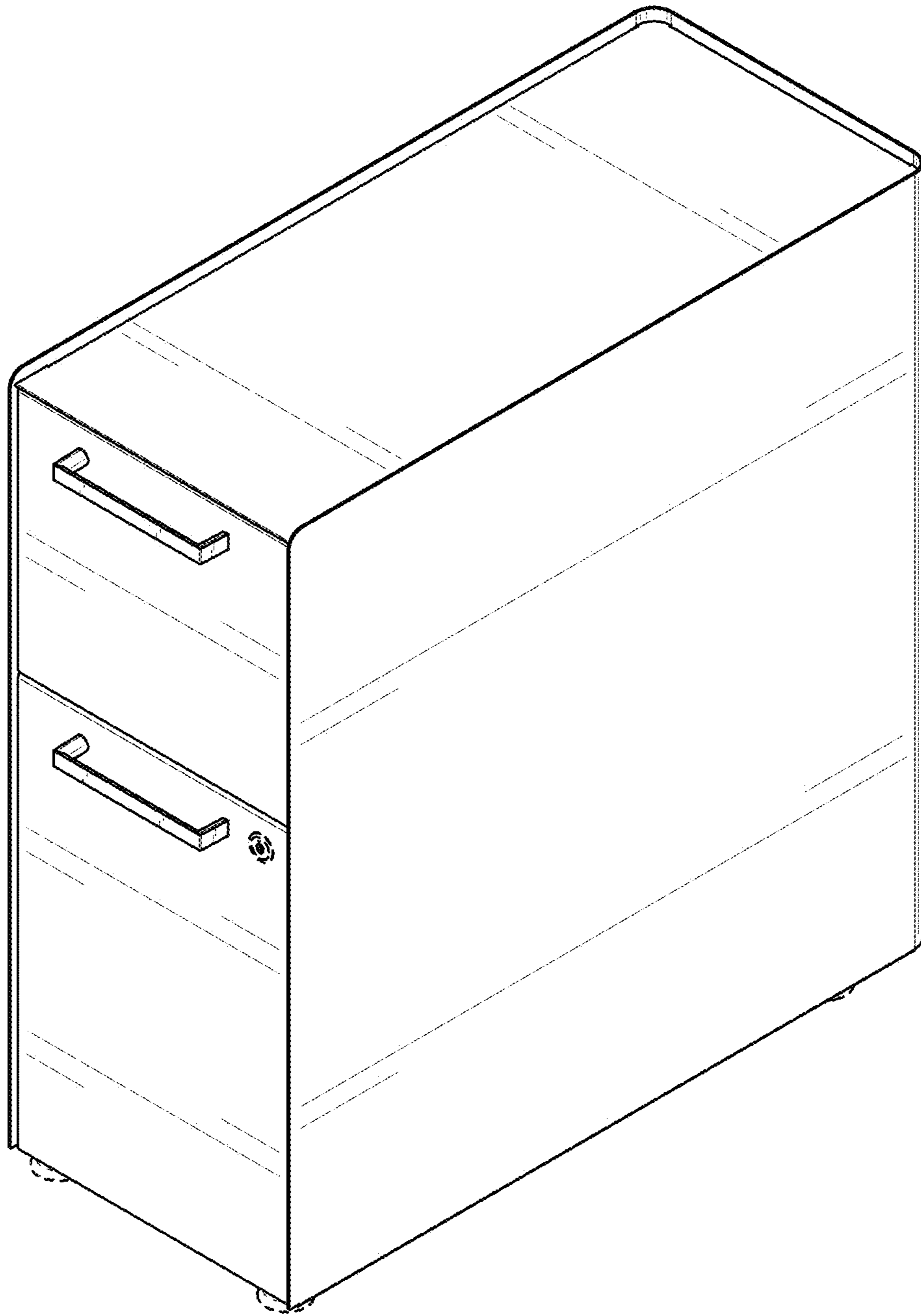


FIG. 9

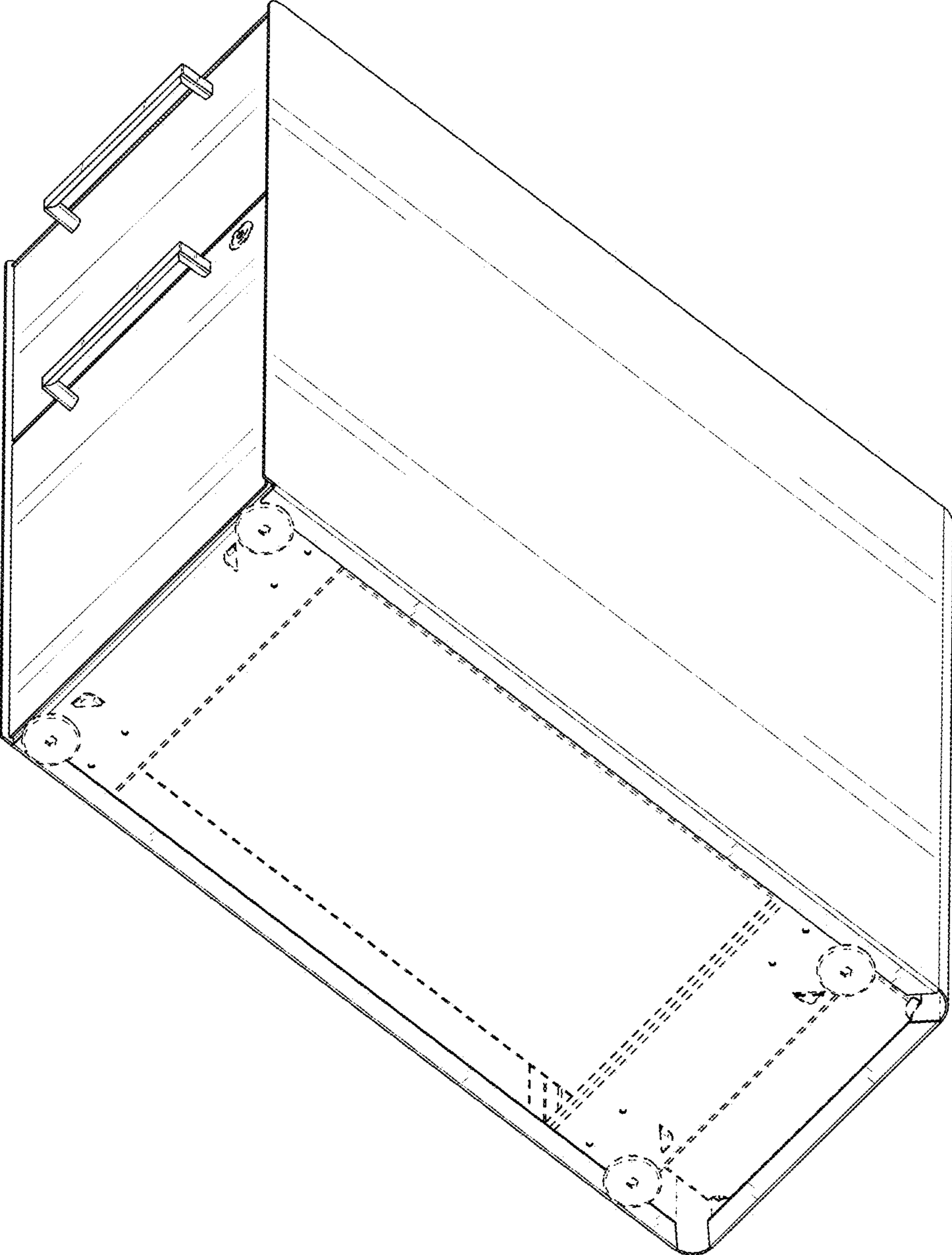


FIG. 10

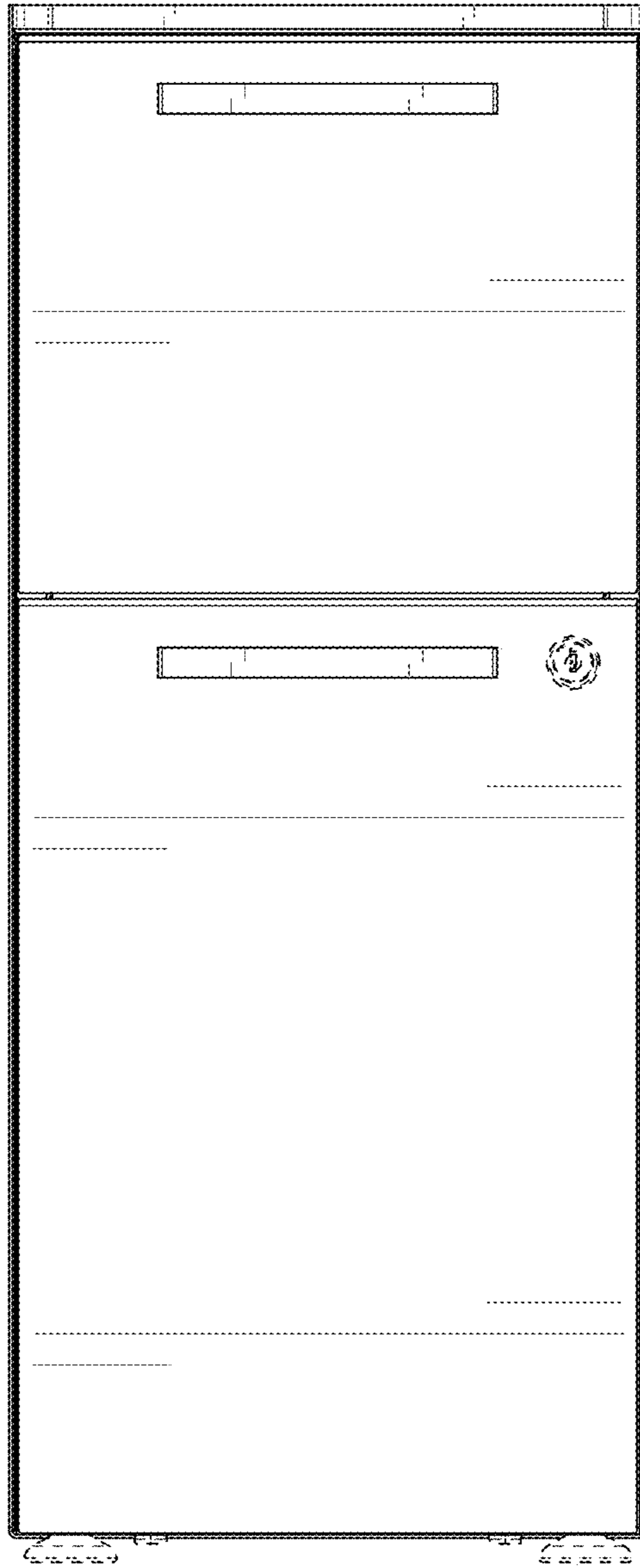


FIG. 11

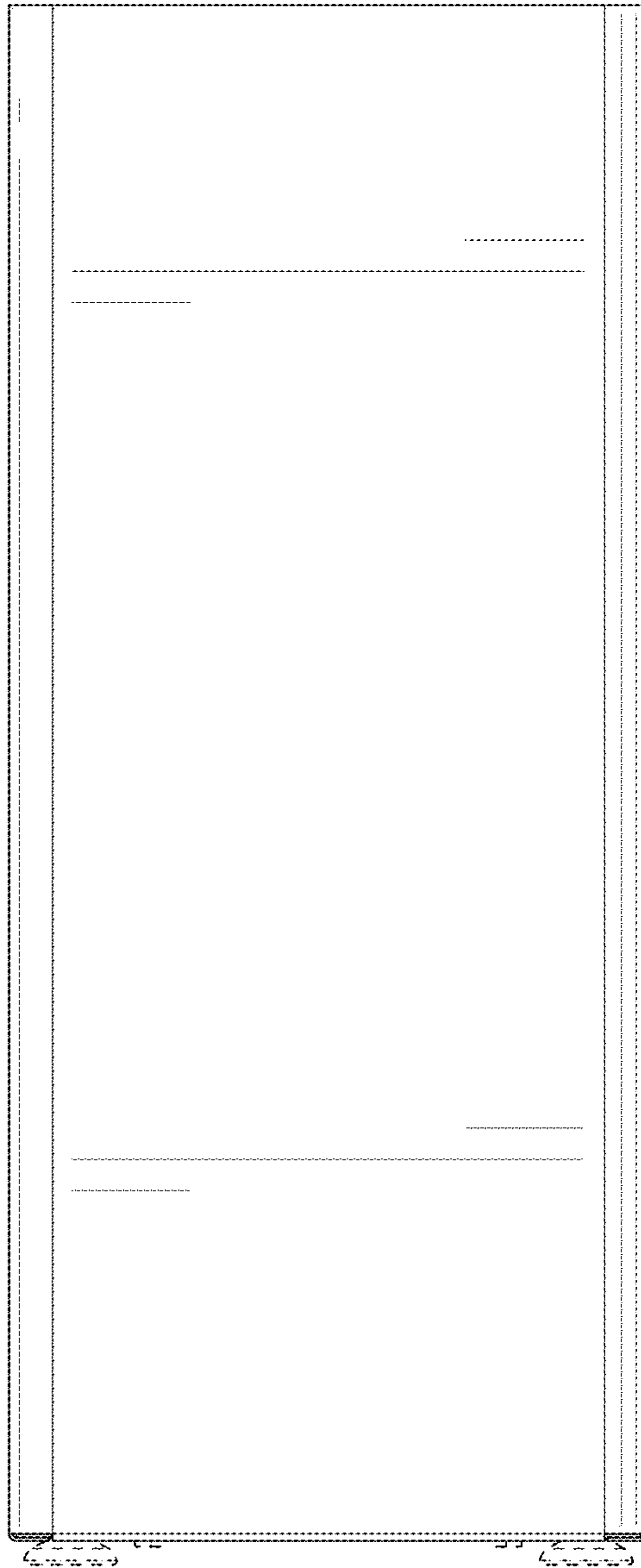


FIG. 12

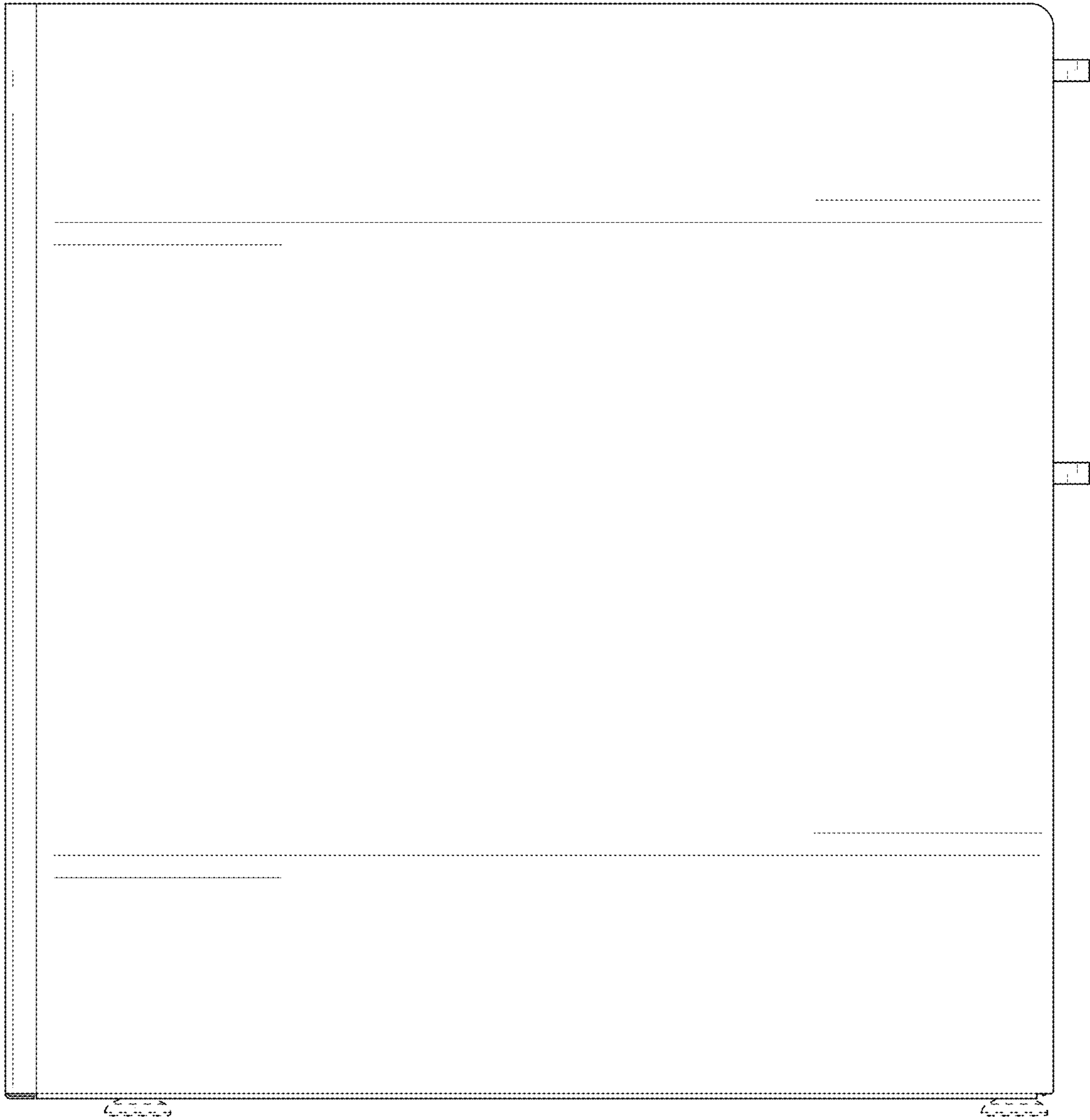


FIG. 13

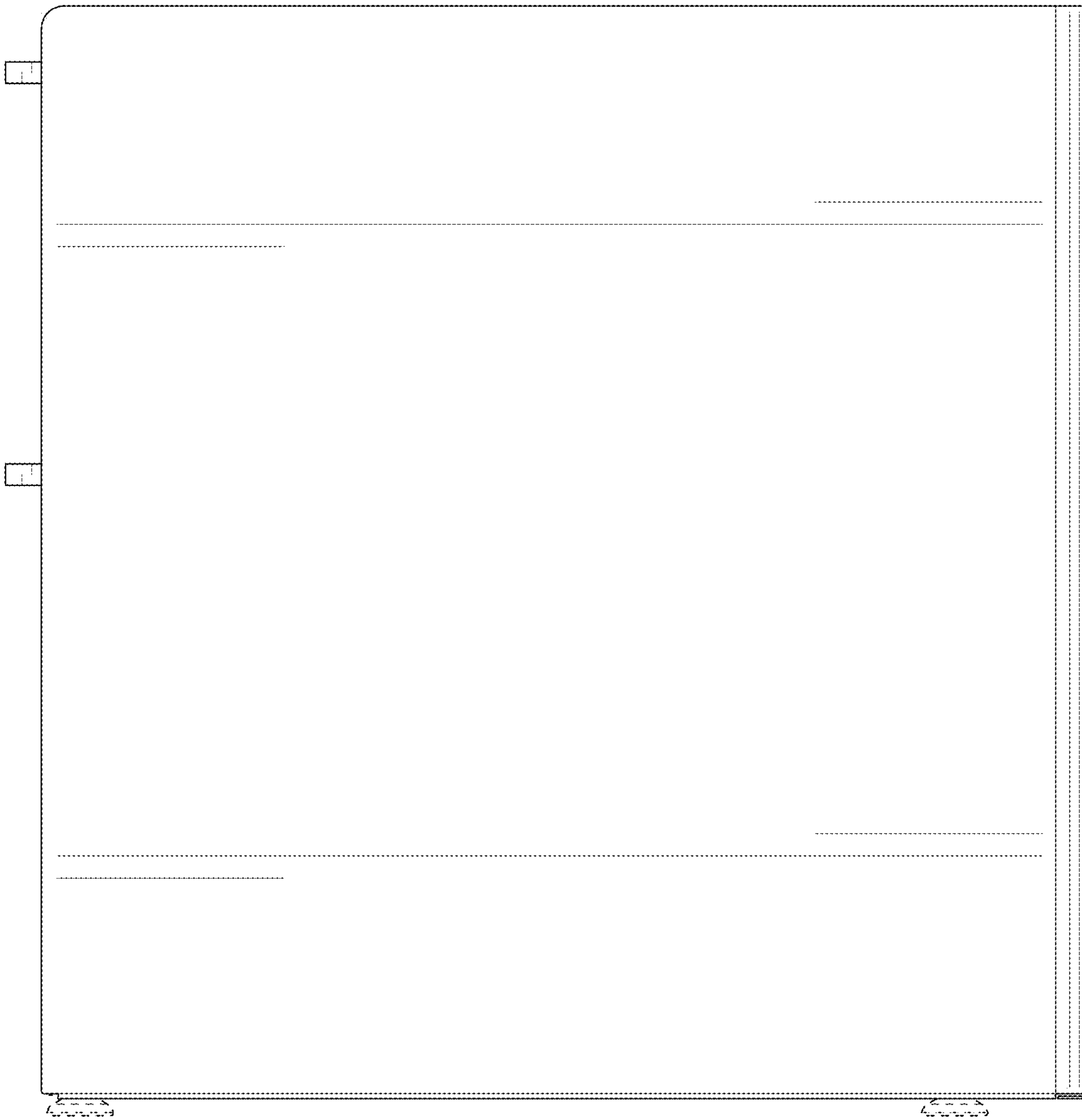


FIG. 14

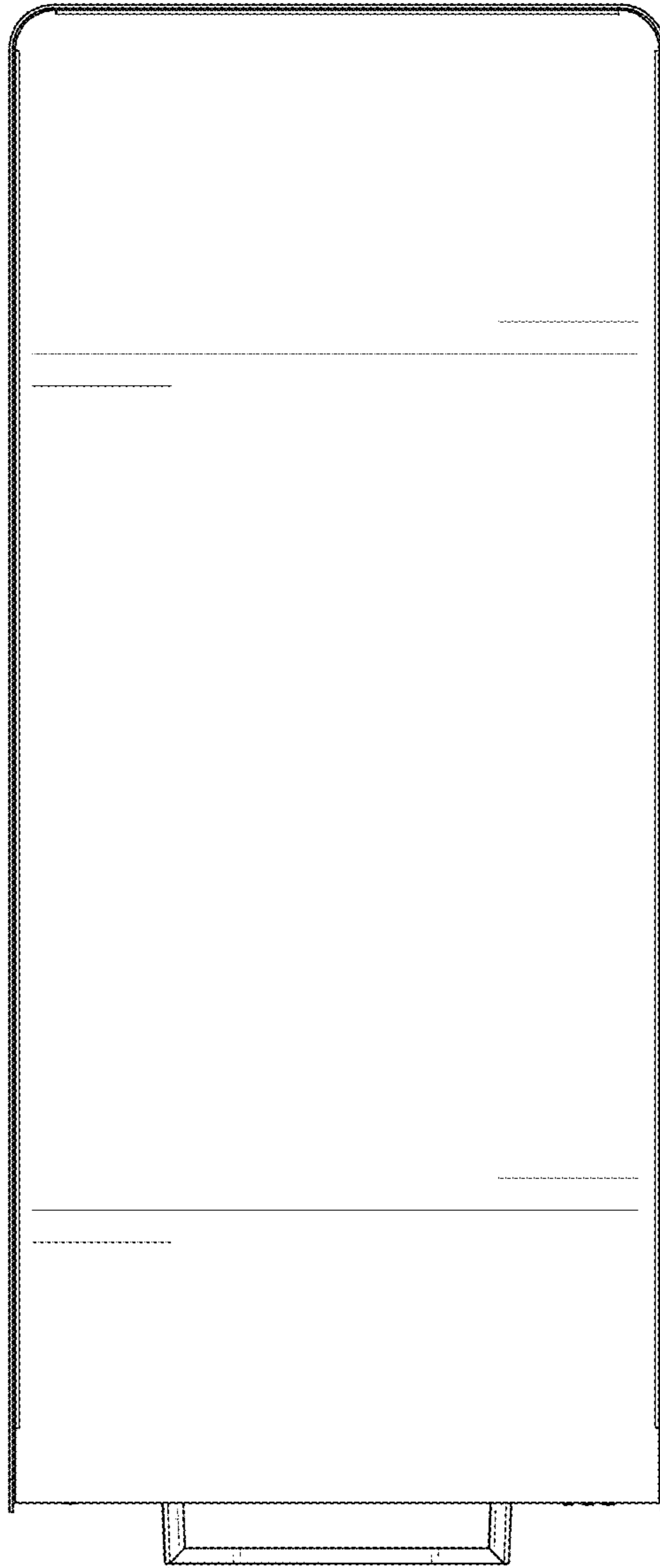


FIG. 15

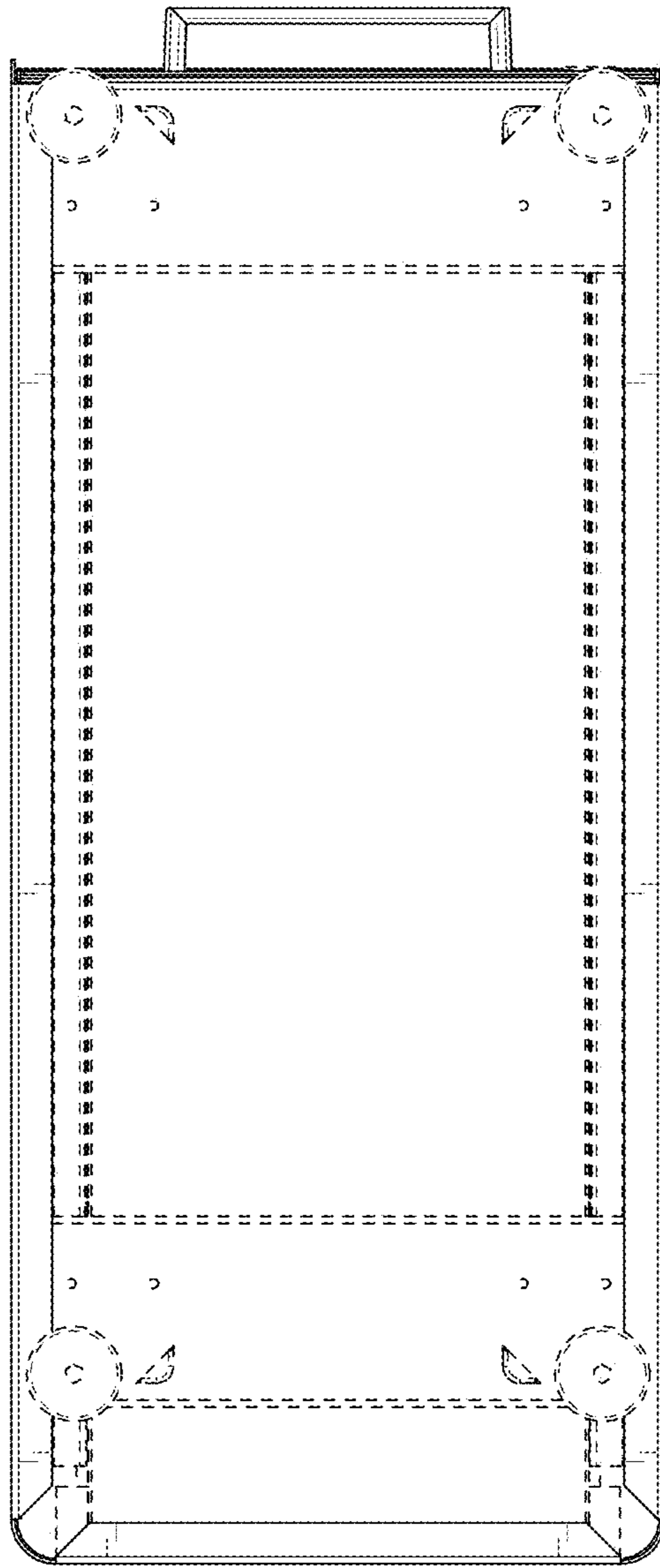


FIG. 16