



US00D905477S

(12) **United States Design Patent** (10) **Patent No.:** **US D905,477 S**
Pile (45) **Date of Patent:** **** Dec. 22, 2020**

- (54) **MATTRESS EXTENSION**
- (71) Applicant: **LINET SPOL. S R.O.**, Slany (CZ)
- (72) Inventor: **Brian Frank Pile**, Hampshire (GB)
- (73) Assignee: **Linnet Spol. s.r.o.**, Slany (CZ)
- (**) Term: **15 Years**
- (21) Appl. No.: **29/688,971**
- (22) Filed: **Apr. 25, 2019**

Related U.S. Application Data

- (63) Continuation of application No. PCT/CZ2017/000068, filed on Oct. 30, 2017.

Foreign Application Priority Data

- Oct. 31, 2016 (CZ) PV 2016-677
- (51) **LOC (12) Cl.** **06-09**
- (52) **U.S. Cl.**
USPC **D6/606**
- (58) **Field of Classification Search**
USPC D6/595-597, 601, 604-606
CPC A47C 27/00; A47C 27/08; A47C 27/12;
A47C 27/14; A47C 7/18; A47C 7/185;
A47C 7/20; A47C 23/00; A47C 27/001;
A47C 27/05; A47C 27/053; A47C
27/056; A47C 27/06; A47C 27/142; A47C
21/00; A47C 21/026; A47G 9/00; A47G
9/06; A47G 9/08; A47G 9/086; A47G
9/1009; A47G 9/10; A47G 9/1027; A47G
9/1054; A47G 9/1063; A47G 9/1072;
A47G 9/1045; A47G 9/1081; A47G
9/109; A47G 2009/1018; A47G 2009/003
See application file for complete search history.

(56) **References Cited**

U.S. PATENT DOCUMENTS

- 4,759,089 A * 7/1988 Fox A47G 9/1072
5/636
- D316,451 S * 4/1991 Carnathan 5/638
- D328,682 S * 8/1992 Carney D6/601
- D343,756 S * 2/1994 Sher 5/655
- 5,367,730 A * 11/1994 Sher A47D 13/08
5/632
- 5,408,714 A * 4/1995 Lemke A47C 3/16
297/4
- 5,536,071 A * 7/1996 Kraftick A47C 9/025
297/423.41

(Continued)

FOREIGN PATENT DOCUMENTS

- EP 3305719 A1 * 4/2018 A47G 9/1045
- WO 2002065878 A2 8/2002
- WO WO-2015085374 A2 * 6/2015 A47G 9/10

OTHER PUBLICATIONS

WIPO, International Search Report, dated Feb. 22, 2018, in International Application No. PCT/CZ2017/000068, filed Oct. 30, 2017.
(Continued)

Primary Examiner — R. Johnson
(74) *Attorney, Agent, or Firm* — Thedford I Hitaffer;
Hitaffer & Hitaffer, PLLC

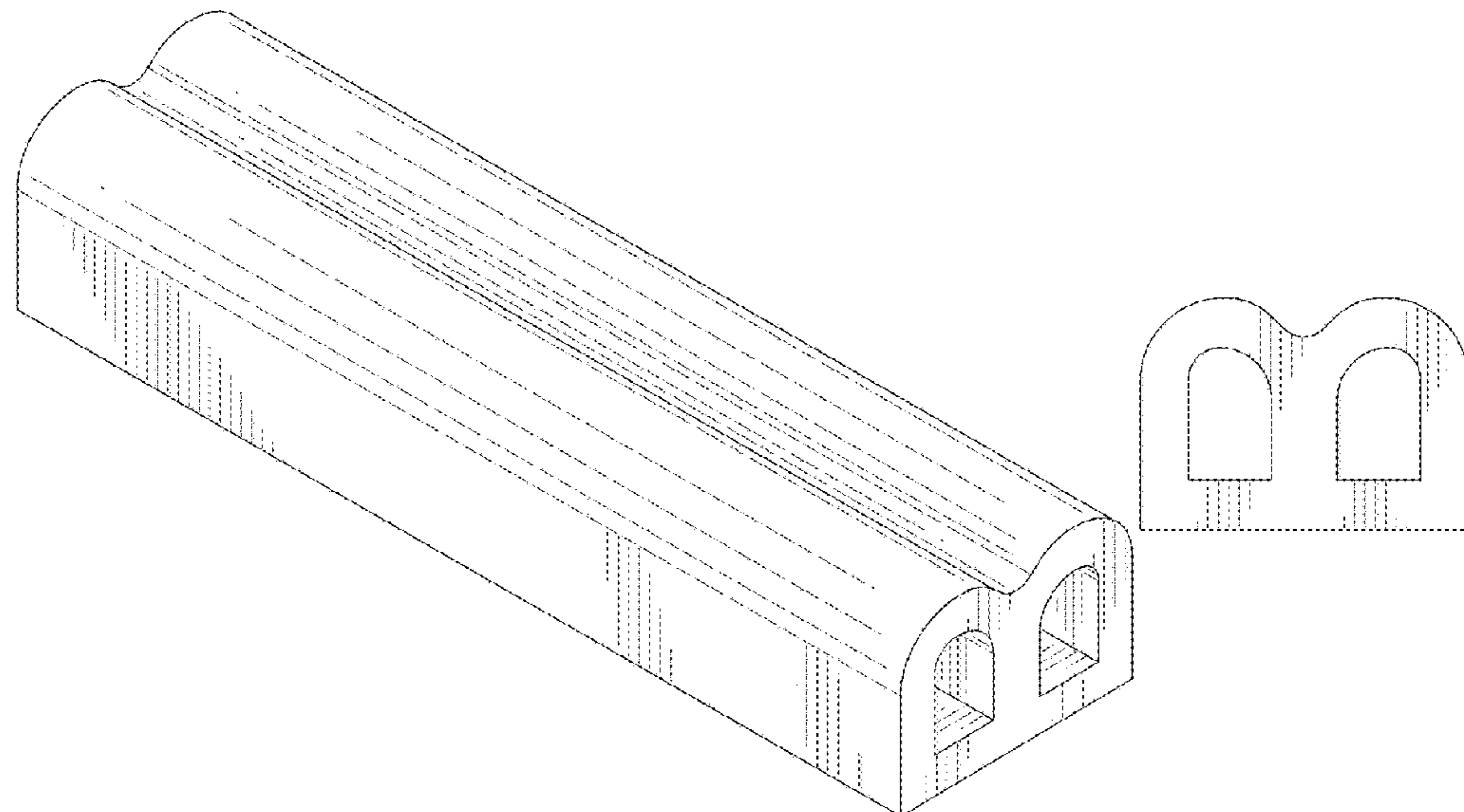
(57) **CLAIM**

The ornamental design for a mattress extension, as shown and described.

DESCRIPTION

FIG. 1 is a front perspective view of a mattress extension. FIG. 2 is a front view thereof, with the rear view being a mirror image thereof. FIG. 3 is a top plan view thereof; and, FIG. 4 is a right side elevational view thereof, with the left side view being a mirror image thereof.

1 Claim, 4 Drawing Sheets



(56)

References Cited

U.S. PATENT DOCUMENTS

5,572,757 A * 11/1996 O'Sullivan A47C 7/46
297/284.5
7,356,864 B1 * 4/2008 Delfs A47G 9/0207
5/691
D732,314 S * 6/2015 Fux D6/601
D839,025 S * 1/2019 Casta-Baez D6/601
D851,425 S * 6/2019 Clute D6/601
2014/0075675 A1 * 3/2014 Wright A47G 9/1081
5/637
2016/0106225 A1 4/2016 Ham et al.
2018/0368593 A1 * 12/2018 Bourgeois A47G 9/1081

OTHER PUBLICATIONS

WIPO, Written Opinion, dated Feb. 22, 2018, in International
Application No. PCT/CZ2017/000068, filed Oct. 30, 2017.

* cited by examiner

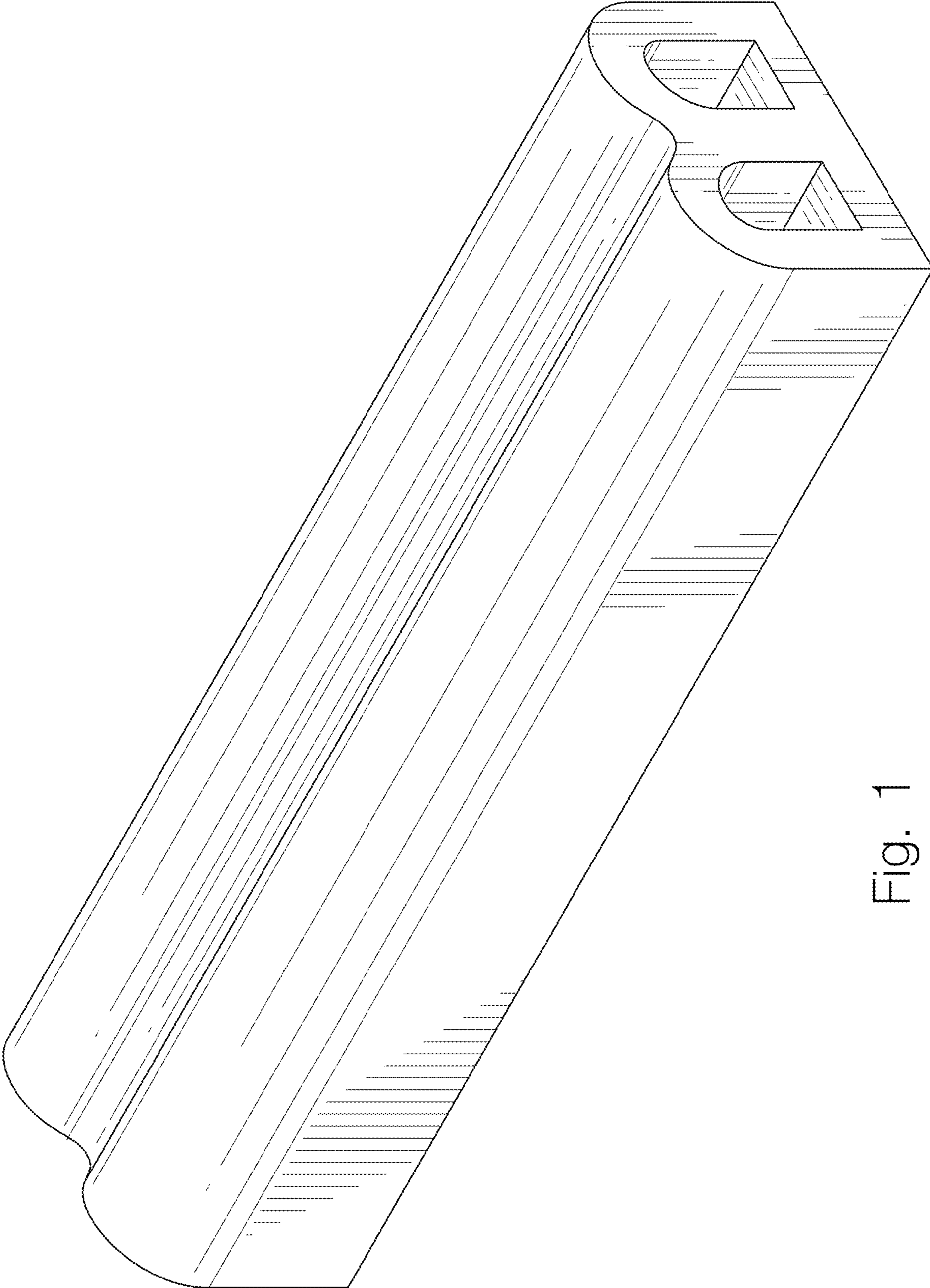


Fig. 1

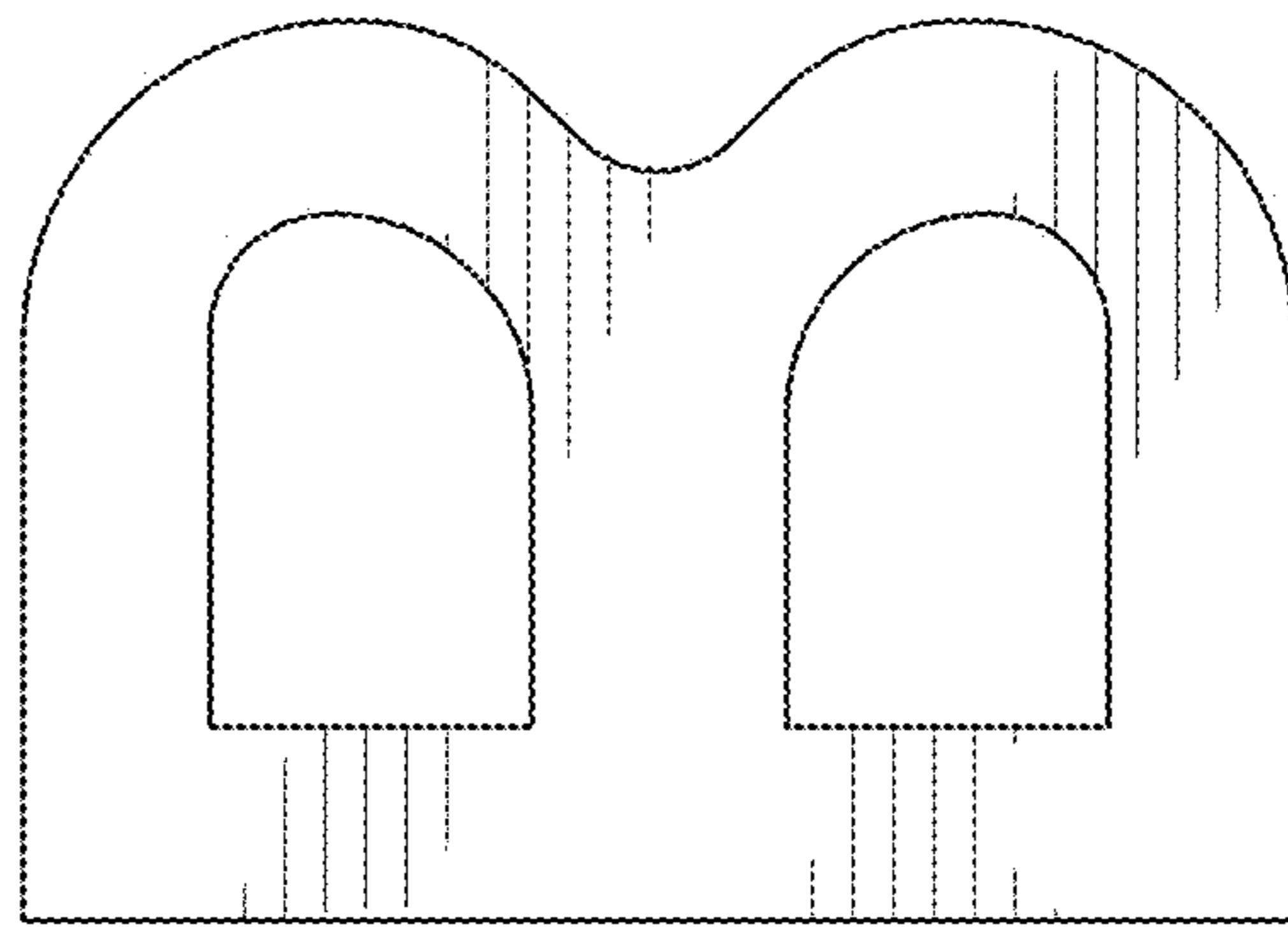


Fig. 2

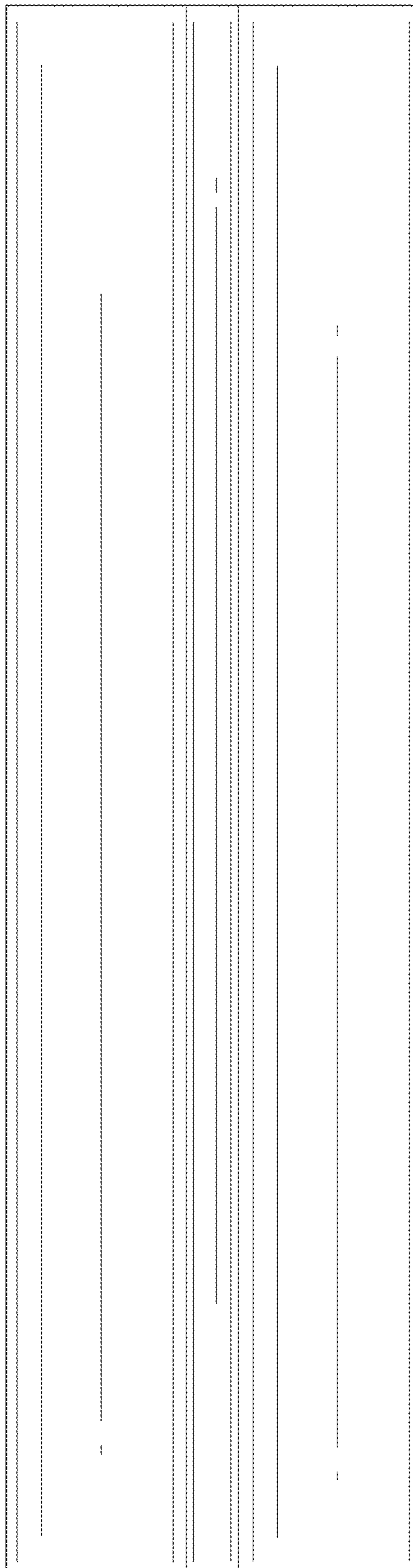


Fig. 3

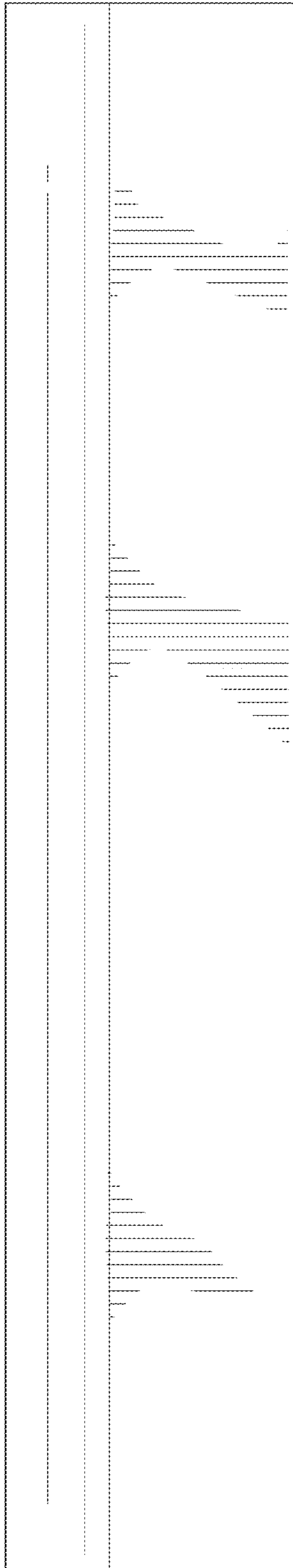


Fig. 4