



US00D905473S

(12) **United States Design Patent** (10) **Patent No.:** **US D905,473 S**
Moule (45) **Date of Patent:** **** *Dec. 22, 2020**

(54) **COMBINATION BED SHEET AND PILLOWCASE**

(71) Applicant: **Joseph Moule**, Orange, CT (US)

(72) Inventor: **Joseph Moule**, Orange, CT (US)

(*) Notice: This patent is subject to a terminal disclaimer.

(**) Term: **15 Years**

(21) Appl. No.: **29/690,249**

(22) Filed: **May 7, 2019**

(51) **LOC (12) Cl.** **06-13**

(52) **U.S. Cl.**
USPC **D6/602; D6/601**

(58) **Field of Classification Search**
USPC D6/382, 595, 596-605, 606, 607
CPC A47C 23/00; A47C 23/06; A47C 23/061;
A47C 23/062; A47C 23/66; A47C
23/067; A47C 23/068; A47C 19/02
See application file for complete search history.

(56) **References Cited**

U.S. PATENT DOCUMENTS

- 2,264,471 A * 12/1941 Glenn A47G 9/062
5/419
- 2,462,780 A * 2/1949 Schiller A47G 9/02
5/485
- 3,148,388 A 9/1964 Espersen
- 3,689,947 A * 9/1972 Wolf A47G 9/1045
5/419
- 4,014,055 A 3/1977 Torres
- 4,231,125 A * 11/1980 Tittl A47G 9/062
5/419
- D313,721 S * 1/1991 Parker D6/605
- D383,634 S * 9/1997 Selph D6/596

- 5,996,147 A 12/1999 Trimble
- 6,845,532 B1 * 1/2005 Rosenblum A47C 27/008
40/661
- D688,442 S * 8/2013 Lesinski D2/719
- D708,868 S * 7/2014 Willoughby D6/602
- D787,235 S * 5/2017 Chiang D6/608
- D793,771 S 8/2017 Shea
- 9,924,812 B1 3/2018 Kennedy
- D833,776 S * 11/2018 Casserly D6/603
- D850,819 S * 6/2019 Lloyd-Caldwell D6/603
- 2004/0107500 A1 * 6/2004 Pigg A47G 9/086
5/413 R
- 2009/0077746 A1 3/2009 Wilson

FOREIGN PATENT DOCUMENTS

FR 2800255 5/2001

* cited by examiner

Primary Examiner — Jennifer L Rempfer

(57) **CLAIM**

I claim the ornamental design for a combination bed sheet and pillowcase, as shown and described.

DESCRIPTION

FIG. 1 is a top view of the combination bed sheet and pillowcase.

FIG. 2 is a bottom view of the claimed design.

FIG. 3 is a right side view of the claimed design.

FIG. 4 is a left side view of the claimed design.

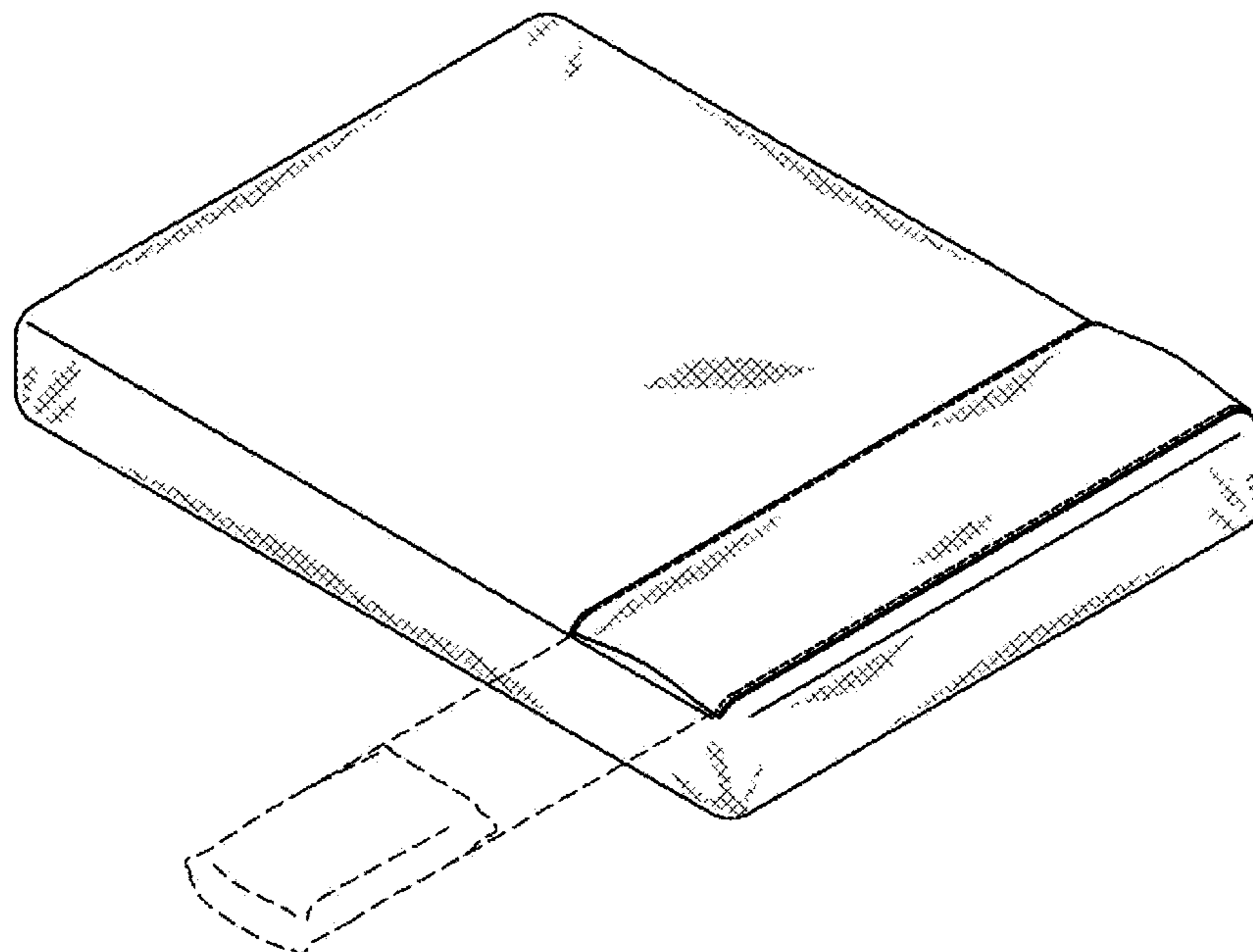
FIG. 5 is a front view of the claimed design.

FIG. 6 is a rear view of the claimed design; and,

FIG. 7 is a perspective view of the claimed design.

The long dash broken lines in FIG. 7 represent environmental subject matter showing claim in use and form not part of the claim. The short dot-dot broken lines represent claimed stitching.

1 Claim, 4 Drawing Sheets



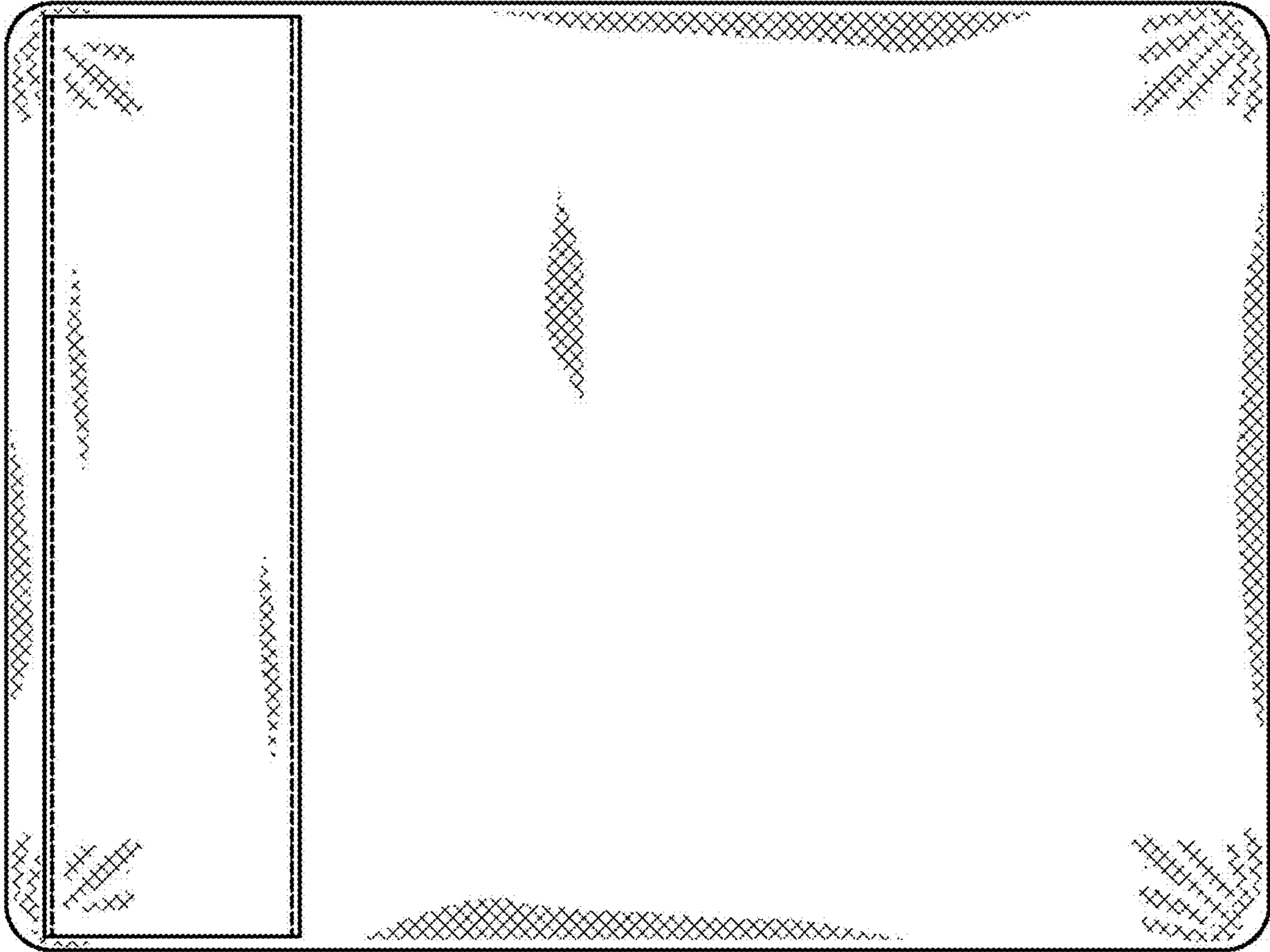


FIG. 1

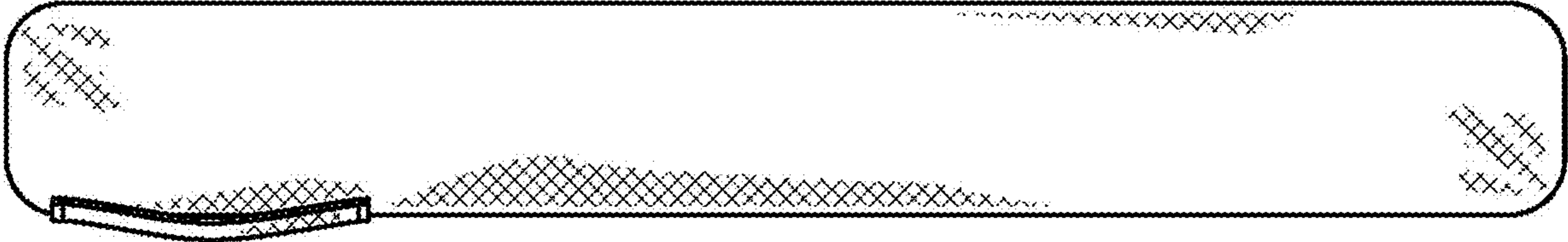


FIG. 3

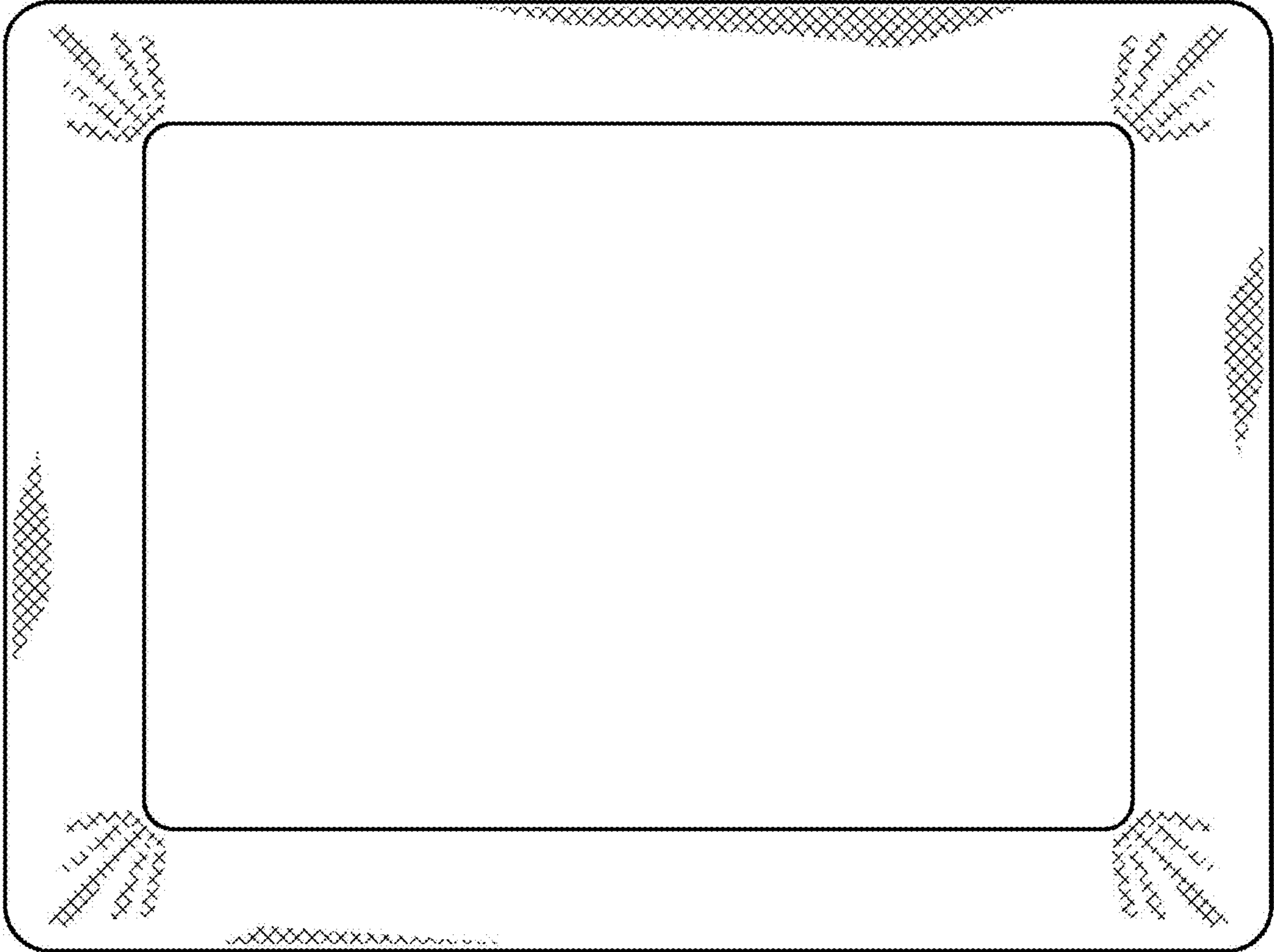


FIG. 2

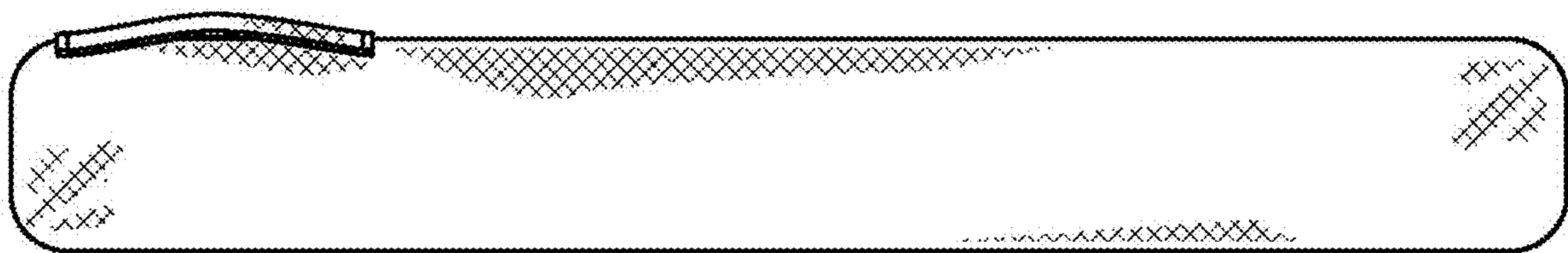


FIG. 4

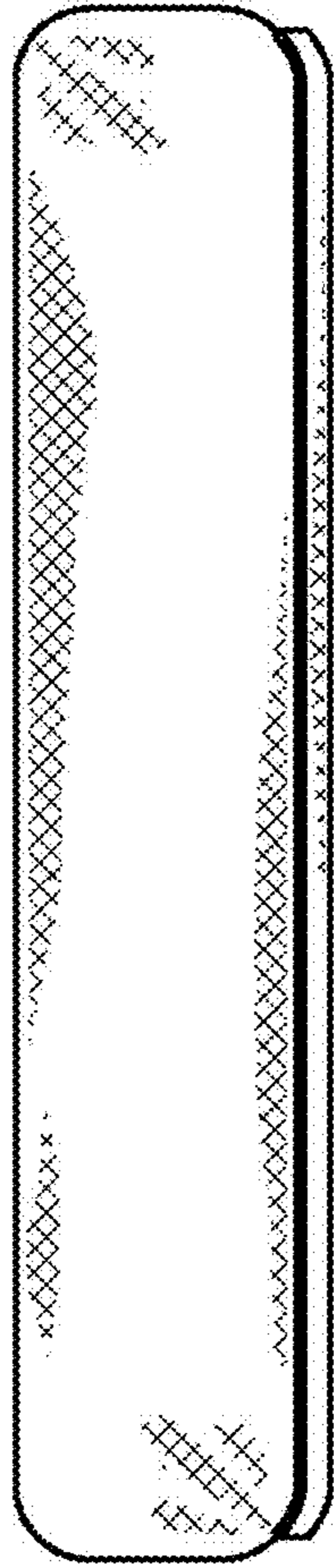


FIG. 5

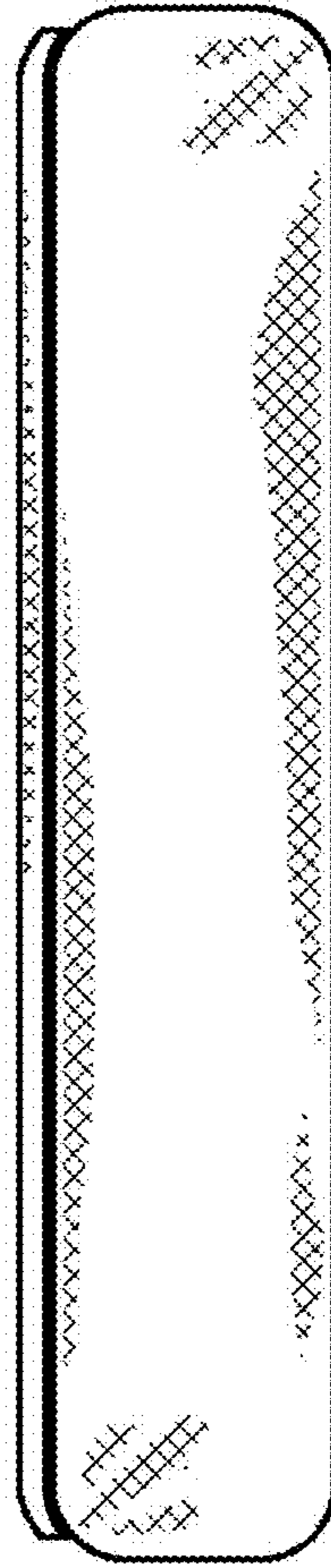


FIG. 6

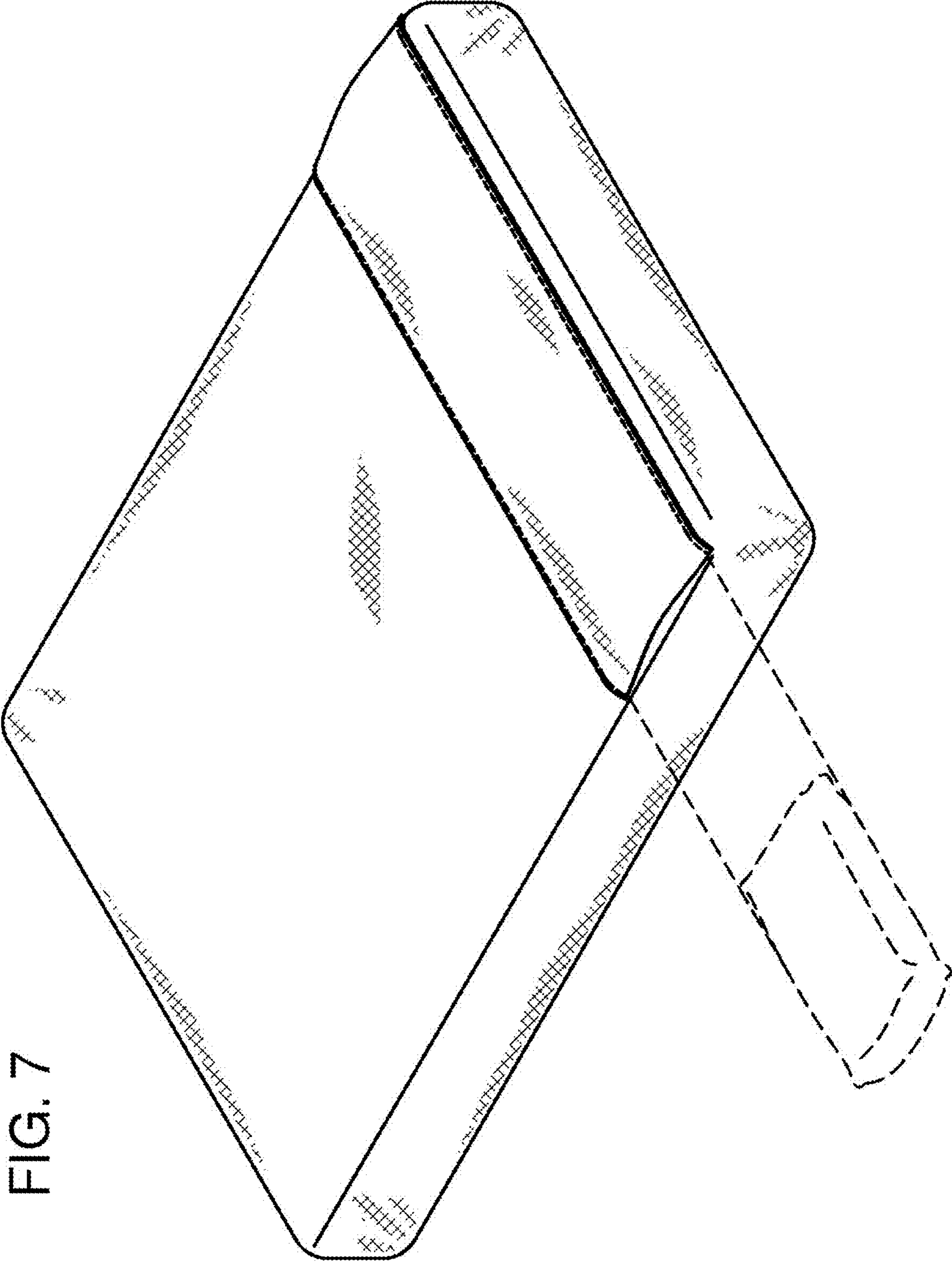


FIG. 7