



US00D905472S

(12) **United States Design Patent** (10) **Patent No.:** **US D905,472 S**
Kim (45) **Date of Patent:** **** Dec. 22, 2020**

(54) **PILLOW**
(71) Applicant: **GOOD ZZZAM CO., LTD**, Ulsan (KR)
(72) Inventor: **Young Sik Kim**, Ulsan (KR)
(**) Term: **15 Years**
(21) Appl. No.: **35/507,359**
(22) Filed: **Jan. 25, 2019**
(80) **Hague Agreement Data**
Int. Filing Date: **Jan. 25, 2019**
Int. Reg. No.: **DM/202442**
Int. Reg. Date: **Jan. 25, 2019**
Int. Reg. Pub. Date: **Aug. 30, 2019**
(51) **LOC (12) Cl.** **06-09**
(52) **U.S. Cl.**
USPC **D6/601**
(58) **Field of Classification Search**
USPC D6/601, 596, 382, 383; D24/191
CPC A47C 7/383; A47C 16/005; A47C 20/00;
A47C 20/02; A47C 20/027; A47C 20/04;
A47G 2009/1018; A47G 9/10; A47G
9/1027; A47G 9/1081; A47G 9/0253;
A47G 9/1045; A47G 9/1072; A61G
7/072; A61G 13/121; A61G 7/07; A61G
13/1225
See application file for complete search history.

(56) **References Cited**
U.S. PATENT DOCUMENTS
D338,580 S * 8/1993 Evans D6/368
D343,756 S * 2/1994 Sher 5/655

D372,160 S * 7/1996 Morgan D6/596
D393,772 S * 4/1998 Vingino 5/655
D528,707 S * 9/2006 Deioma D30/118
D575,566 S * 8/2008 Berke D6/601
D588,390 S * 3/2009 Brill-Cass D6/596
D626,775 S * 11/2010 Deenadayalu D6/601
D642,278 S * 7/2011 Sharps D24/184
D652,239 S * 1/2012 Governale D6/601
D655,559 S * 3/2012 Cheng D6/601
D691,828 S * 10/2013 Rosenberg D6/601
8,726,436 B2 * 5/2014 Wright A47G 9/1081
5/636
D756,687 S * 5/2016 Durkin D6/601
D758,100 S * 6/2016 Pham D6/601
D798,633 S * 10/2017 Zanki D6/601
D815,860 S * 4/2018 Krishtul D6/601
D829,021 S * 9/2018 Douglas D6/601
D829,470 S * 10/2018 Huang D6/601
D838,514 S * 1/2019 Casta-Baez D6/601
D839,026 S * 1/2019 Huang D6/601
D875,436 S * 2/2020 Brasington D6/601
D878,807 S * 3/2020 Marinkovic D6/601
D883,713 S * 5/2020 Glatt D6/601

* cited by examiner

Primary Examiner — Bao-Yen T Nguyen

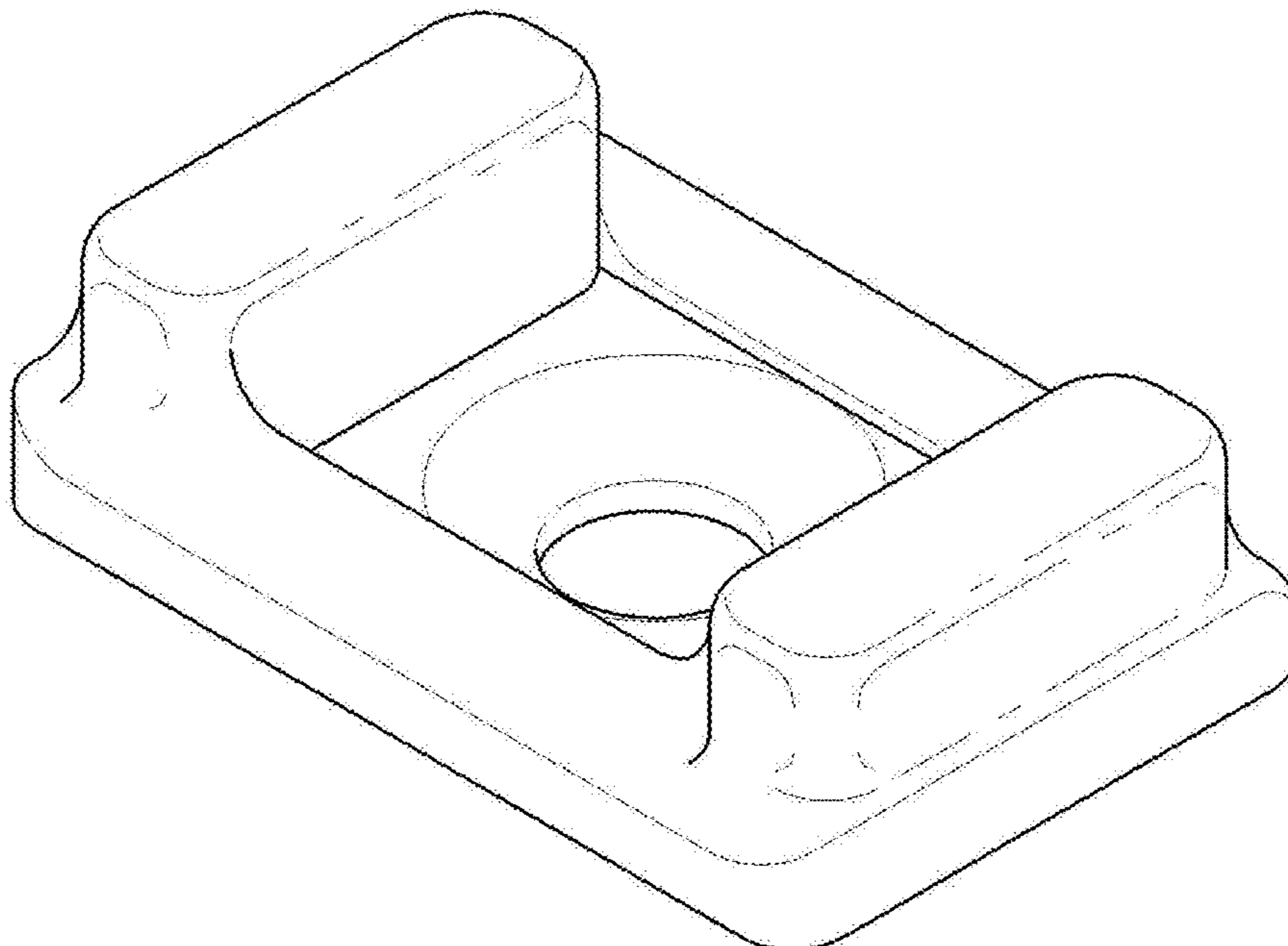
(57) **CLAIM**

The ornamental design for pillow, as shown and described.

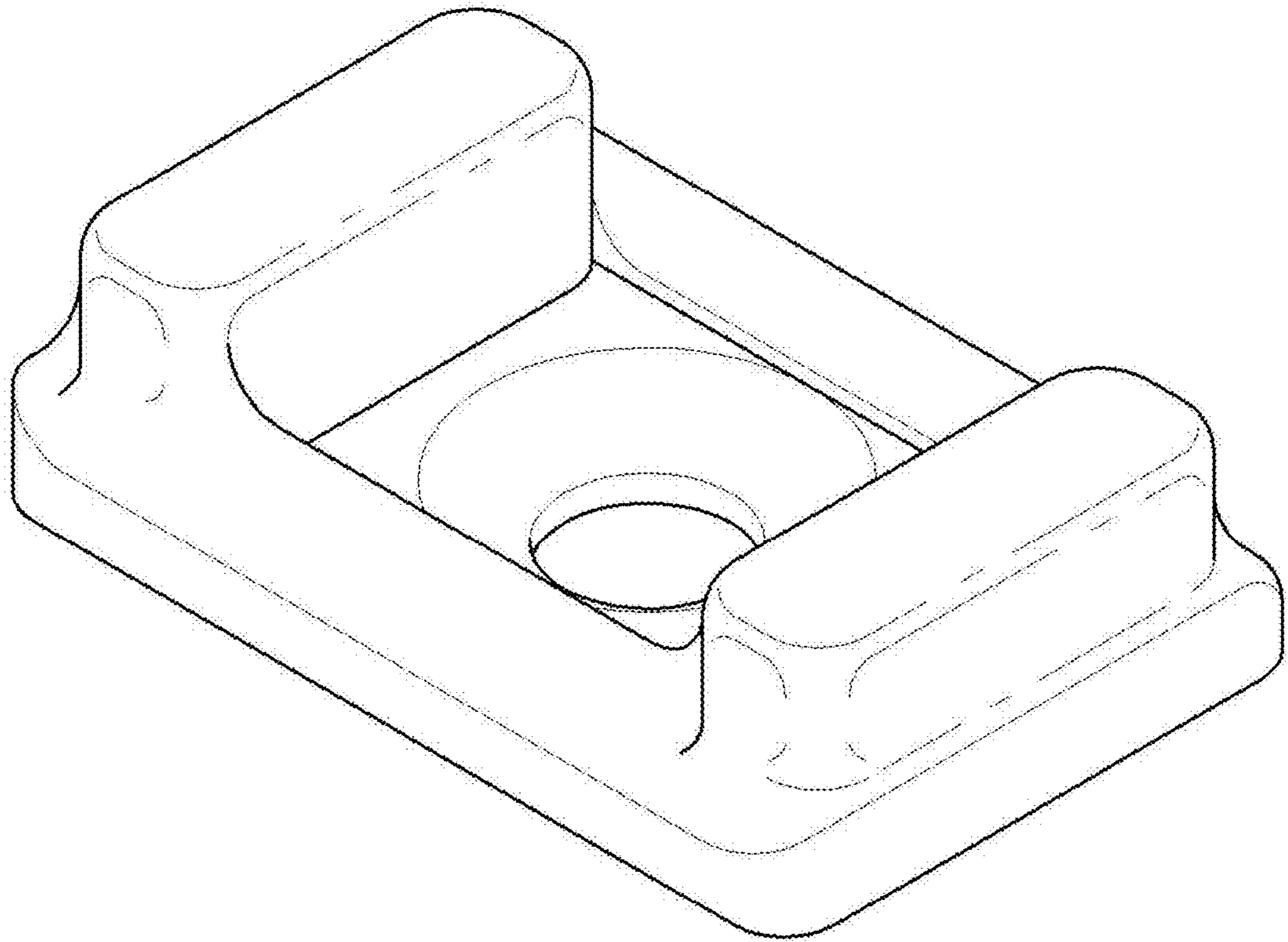
DESCRIPTION

- 1. Pillow
- 1.1 : Perspective
- 1.2 : Front
- 1.3 : Back
- 1.4 : Left
- 1.5 : Right
- 1.6 : Top
- 1.7 : Bottom

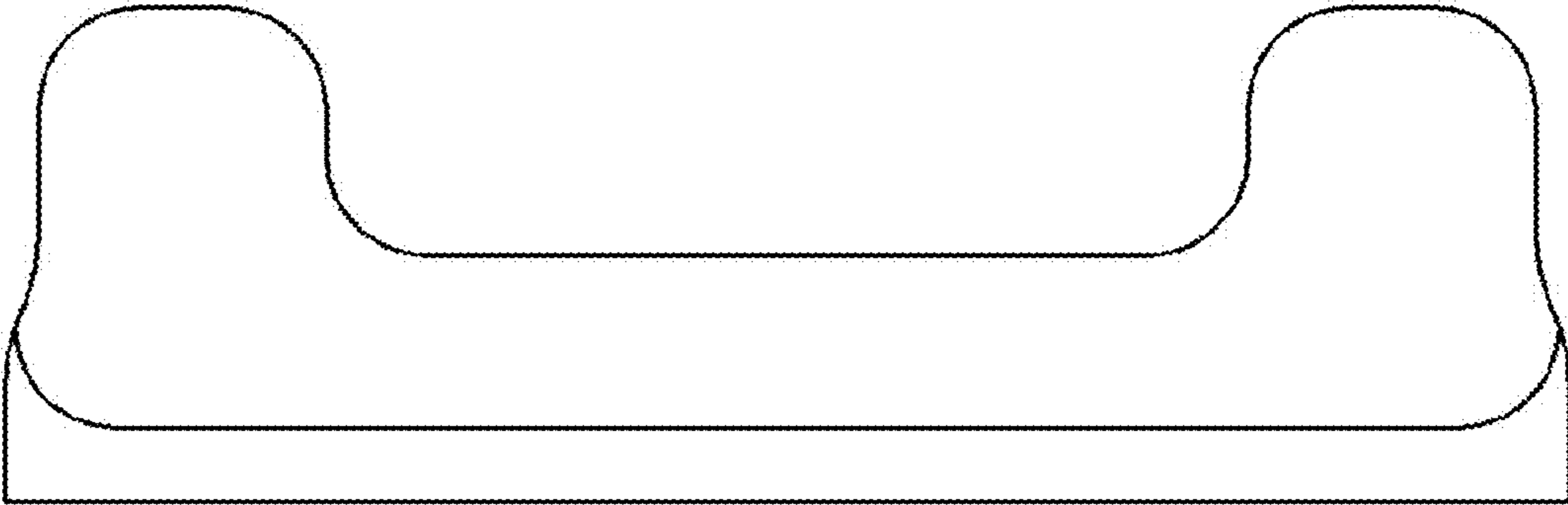
1 Claim, 7 Drawing Sheets



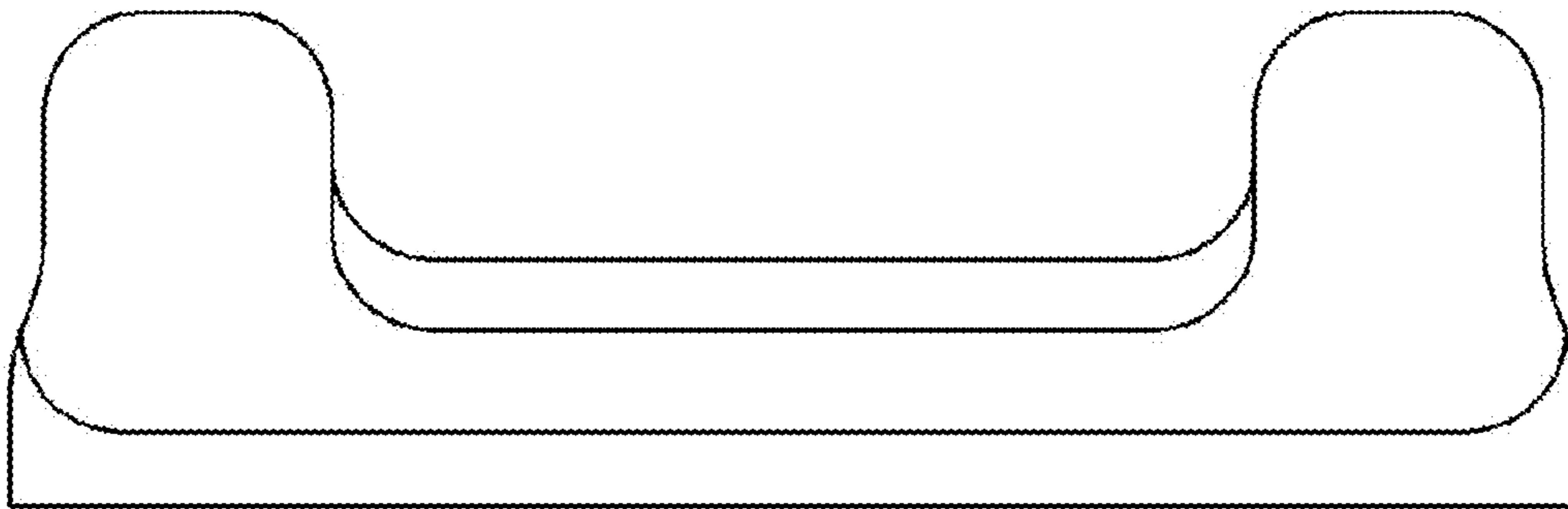
1.1



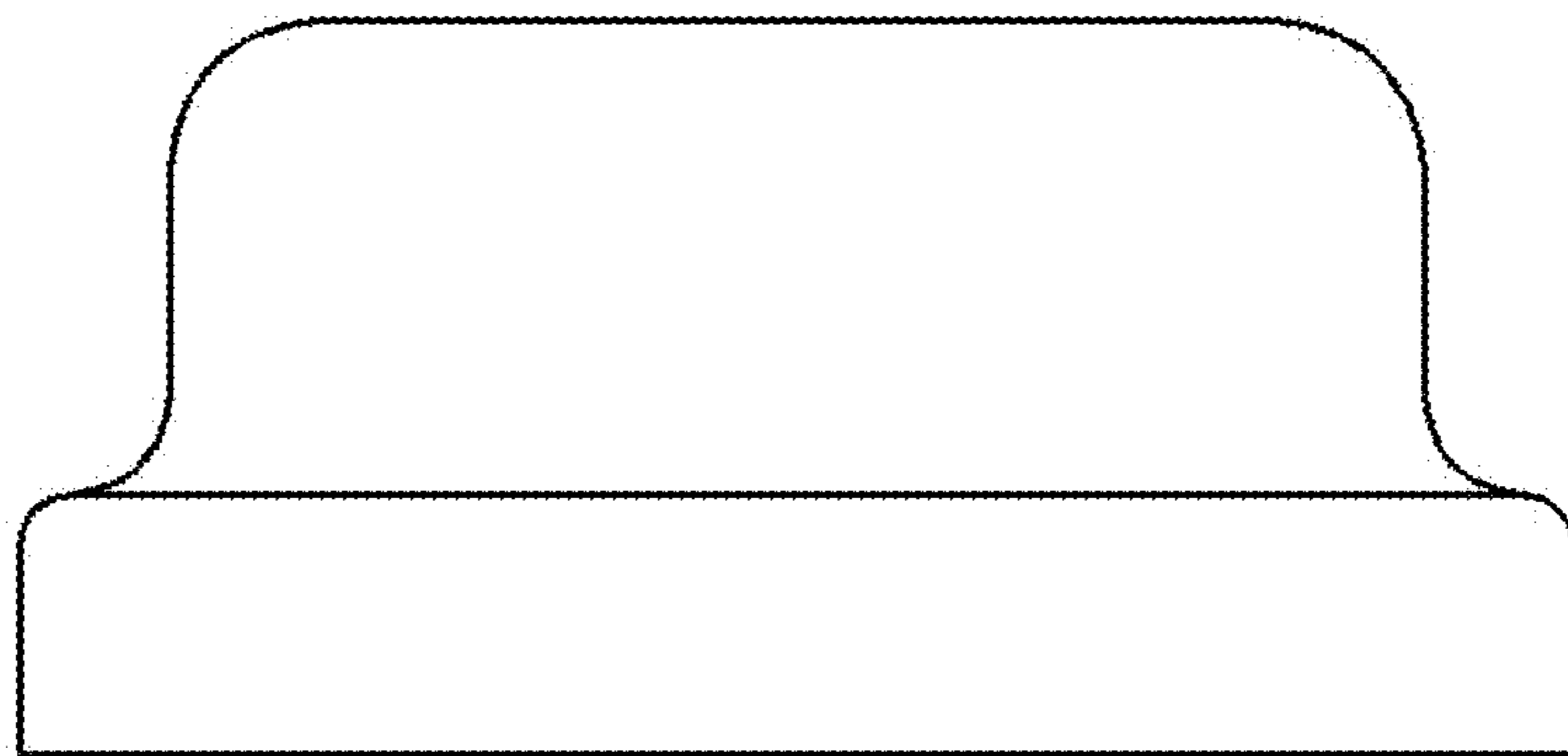
1.2



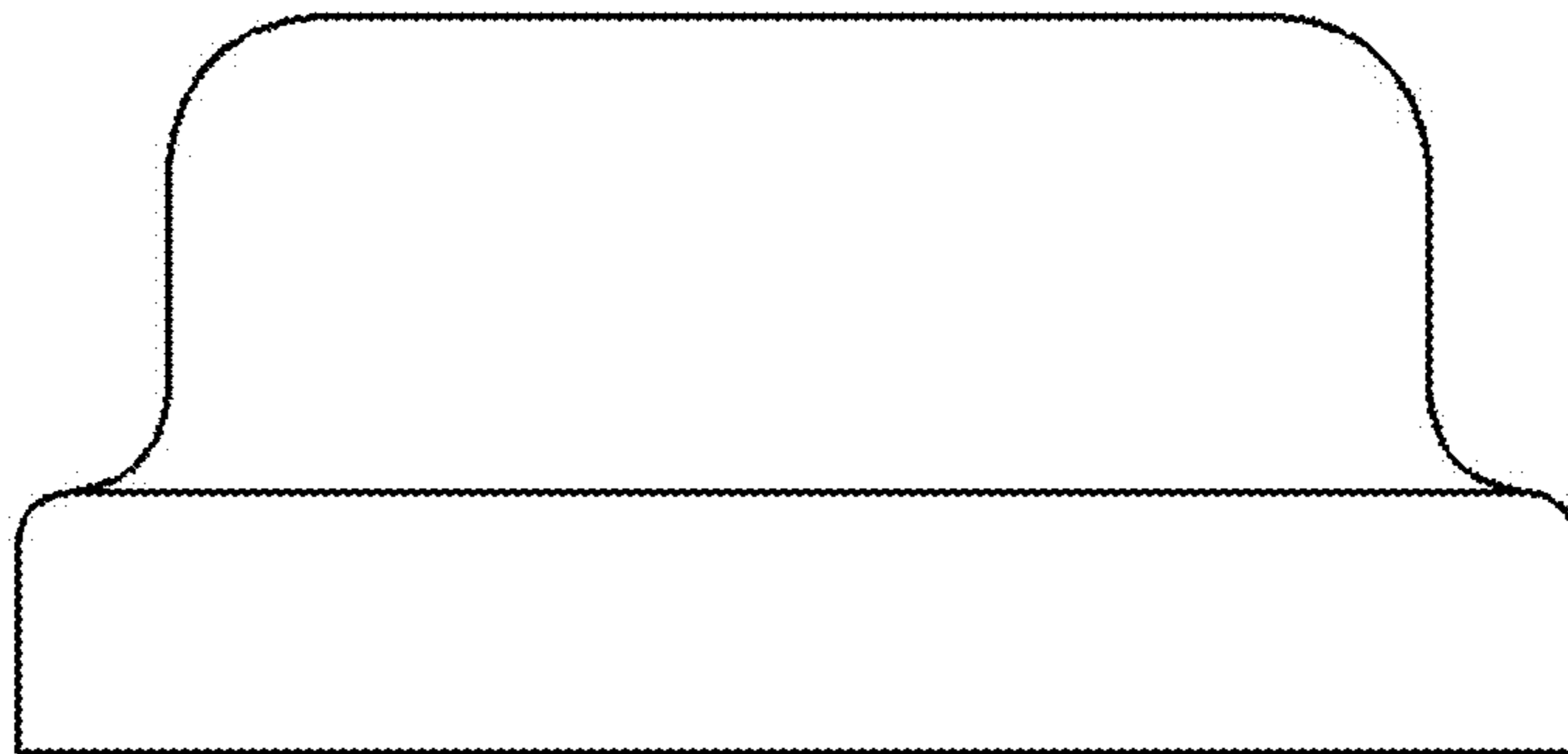
1.3



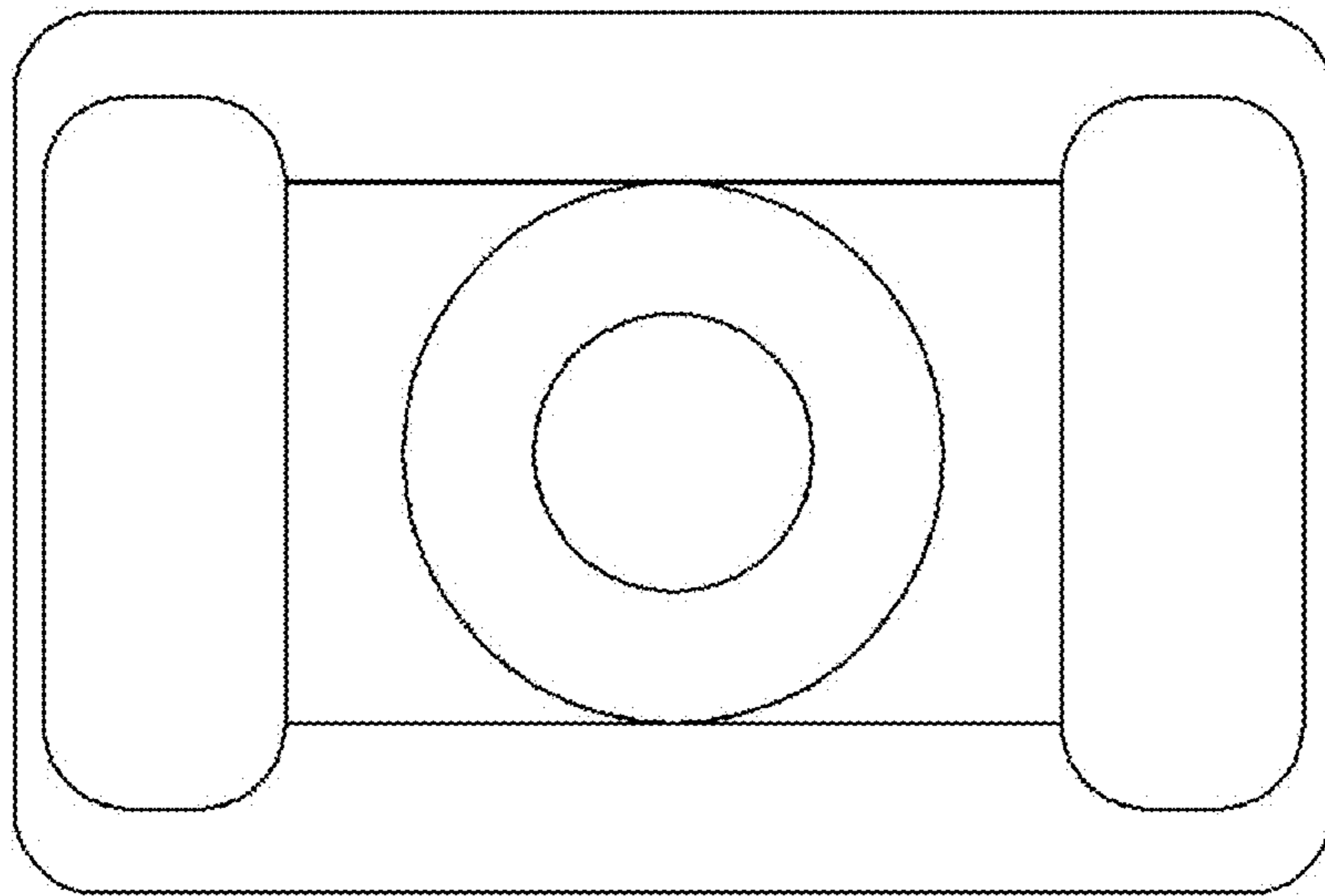
1.4



1.5



1.6



1.7

