



US00D905469S

(12) **United States Design Patent** (10) **Patent No.:** **US D905,469 S**
Raggio Ulate (45) **Date of Patent:** **** Dec. 22, 2020**

(54) **YOGA MAT**

(71) Applicant: **Alberto J. Raggio Ulate**, San Antonio, TX (US)

(72) Inventor: **Alberto J. Raggio Ulate**, San Antonio, TX (US)

(**) Term: **15 Years**

(21) Appl. No.: **29/705,395**

(22) Filed: **Sep. 11, 2019**

(51) **LOC (12) Cl.** **06-11**

(52) **U.S. Cl.**
USPC **D6/592**

(58) **Field of Classification Search**
USPC D2/859, 860; D6/582-584, 586-589, D6/592, 593; D19/9; D25/163; D30/40, D30/57; D12/203
CPC A47G 27/02; A47G 27/0206; A47G 27/0212; A47G 27/0225; A47G 27/0231; A47G 27/0237; A47G 27/0468; A47G 9/062; A47G 27/0281; A47K 3/002; A47K 7/026; A63B 21/4037; A63B 6/00; G09B 19/0015
See application file for complete search history.

(56) **References Cited**

U.S. PATENT DOCUMENTS

4,089,520 A * 5/1978 Ozbey A63B 21/023 482/128

D615,338 S * 5/2010 Balkaran B32B 33/00 D6/596

D646,517 S * 10/2011 Noonan A63B 21/4037 D6/582

2006/0073305 A1* 4/2006 Kole A63B 21/4037 428/80

2006/0207011 A1* 9/2006 Meyers A47K 3/002 4/583

2007/0226904 A1* 10/2007 Huffman A63B 21/4037 5/417

2009/0241260 A1* 10/2009 Noonan A63B 21/4037 5/417

2010/0306917 A1* 12/2010 Batiste A47G 27/0237 5/420

2012/0210512 A1* 8/2012 Woods A63B 21/4037 5/417

2015/0191918 A1* 7/2015 Atkinson B32B 33/00 428/205

2016/0361596 A1* 12/2016 Brogmus G09B 19/0038

2018/0361193 A1* 12/2018 Ross A63B 21/4037

2019/0060702 A1* 2/2019 Chavez A63B 21/4039

* cited by examiner

Primary Examiner — Kevin K Rudzinski
Assistant Examiner — Clare Ann Gannon

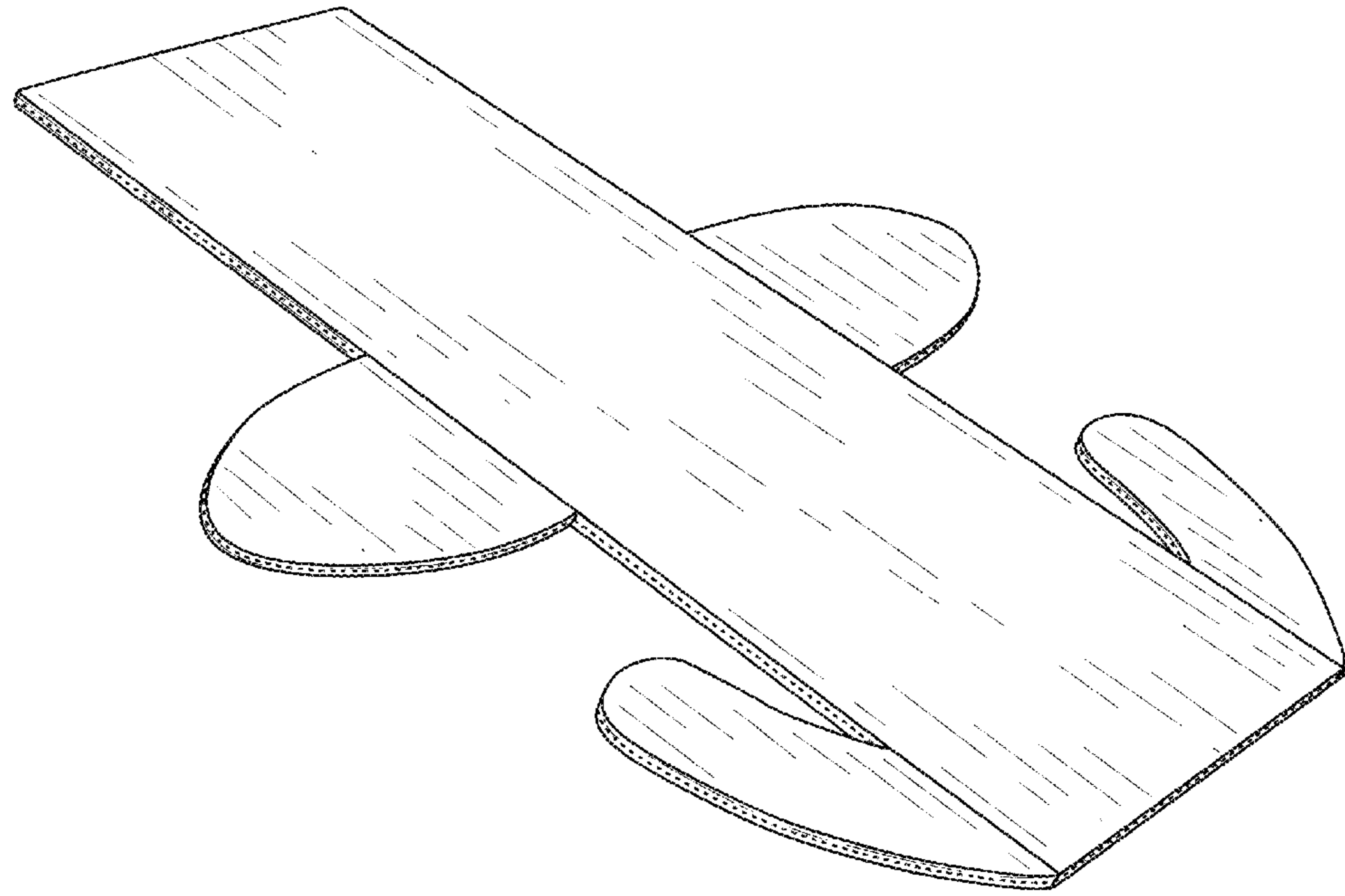
(57) **CLAIM**

The ornamental design for a yoga mat, as shown and described.

DESCRIPTION

FIG. 1 is a front-top perspective view of a yoga mat showing my new design;
 FIG. 2 is a front-bottom perspective view thereof;
 FIG. 3 is a rear-bottom perspective view thereof;
 FIG. 4 is a left elevational view thereof where the right elevational view is mirrored thereto;
 FIG. 5 is a top plan view thereof where the bottom plan view is mirrored thereto;
 FIG. 6 is a front elevational view thereof; and,
 FIG. 7 is a rear elevational view thereof.
 The broken lines depict portions of the yoga mat that form no part of the claimed design.

1 Claim, 7 Drawing Sheets



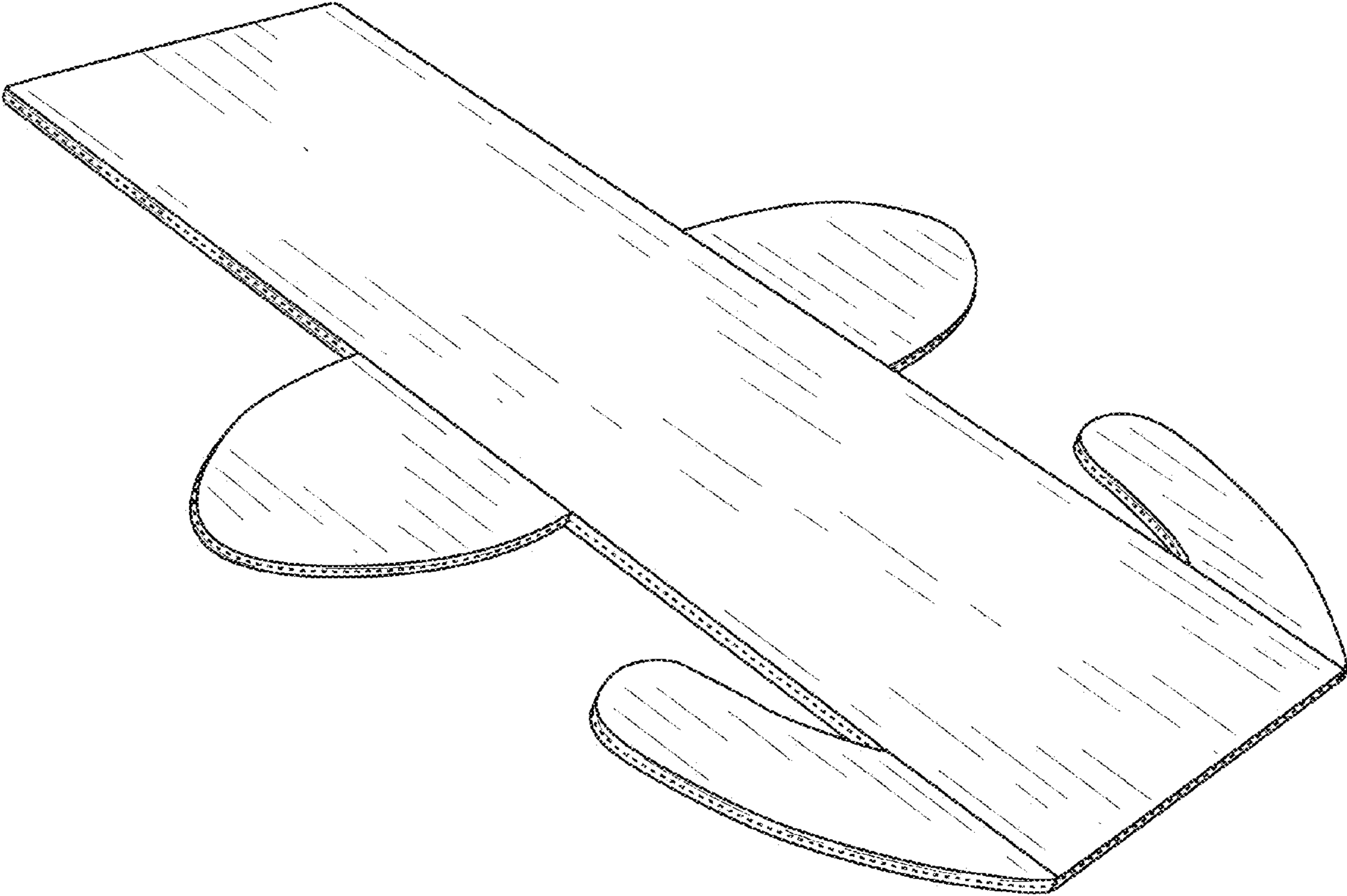


FIG. 1

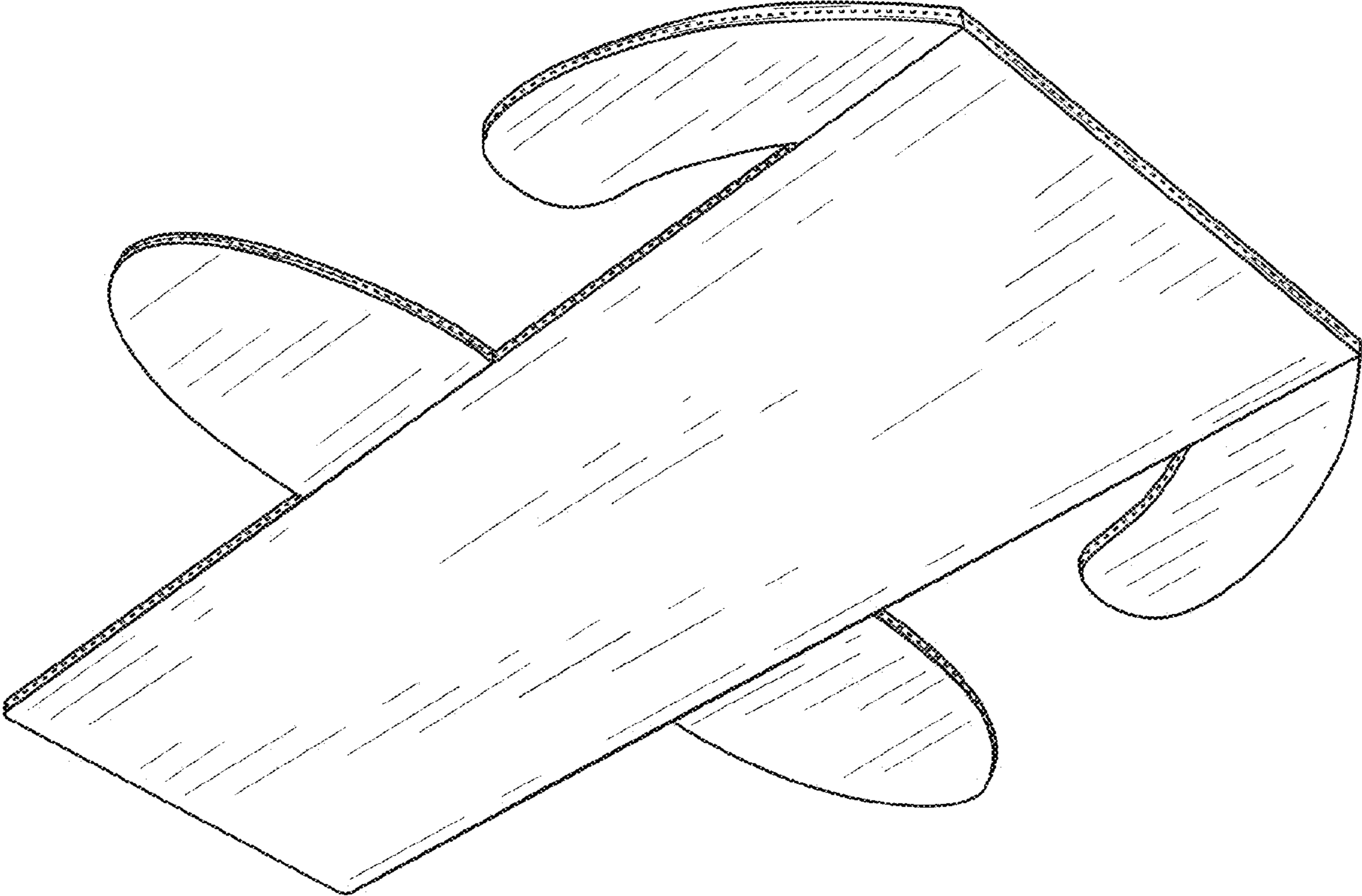


FIG. 2

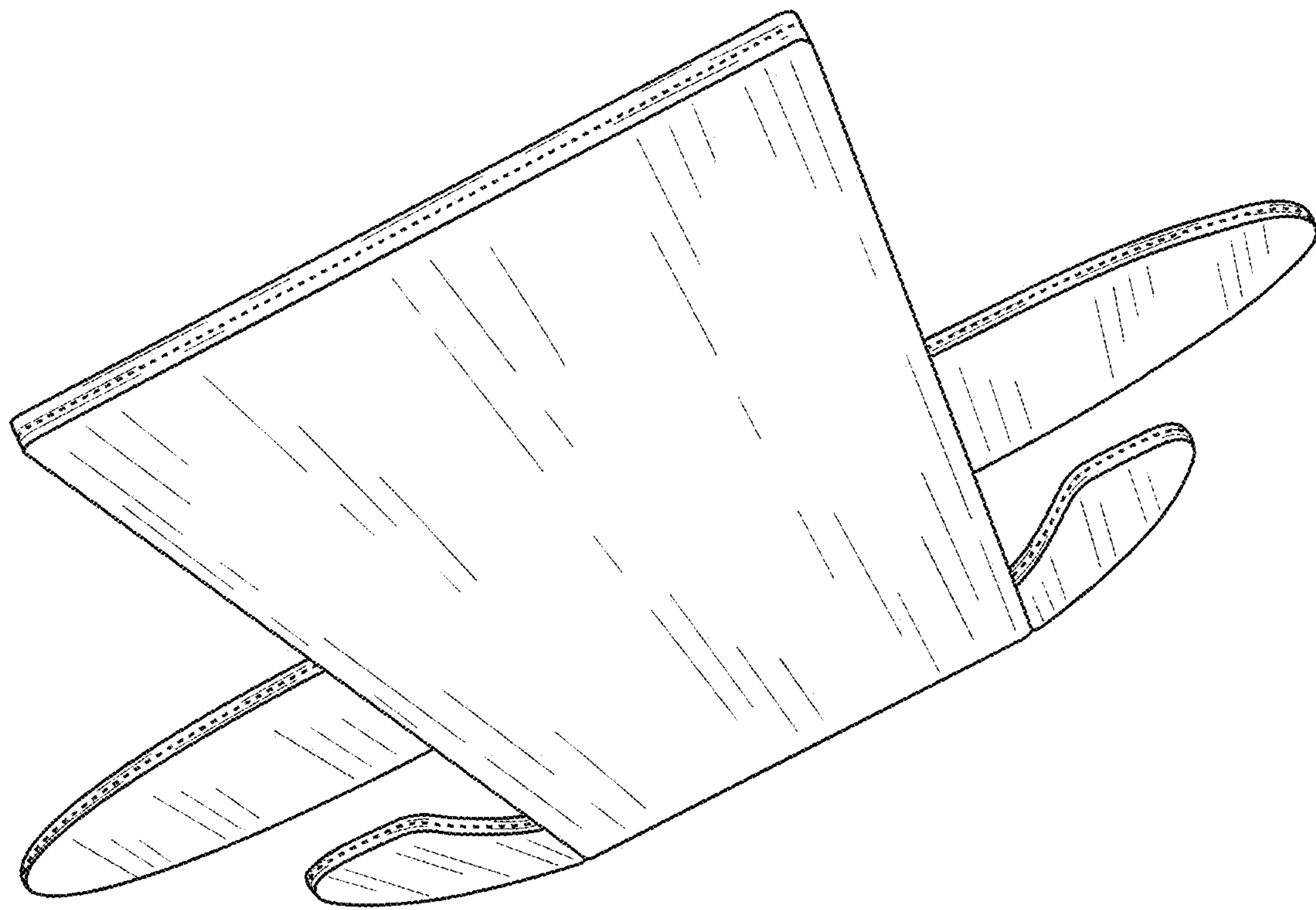


FIG. 3



FIG. 4

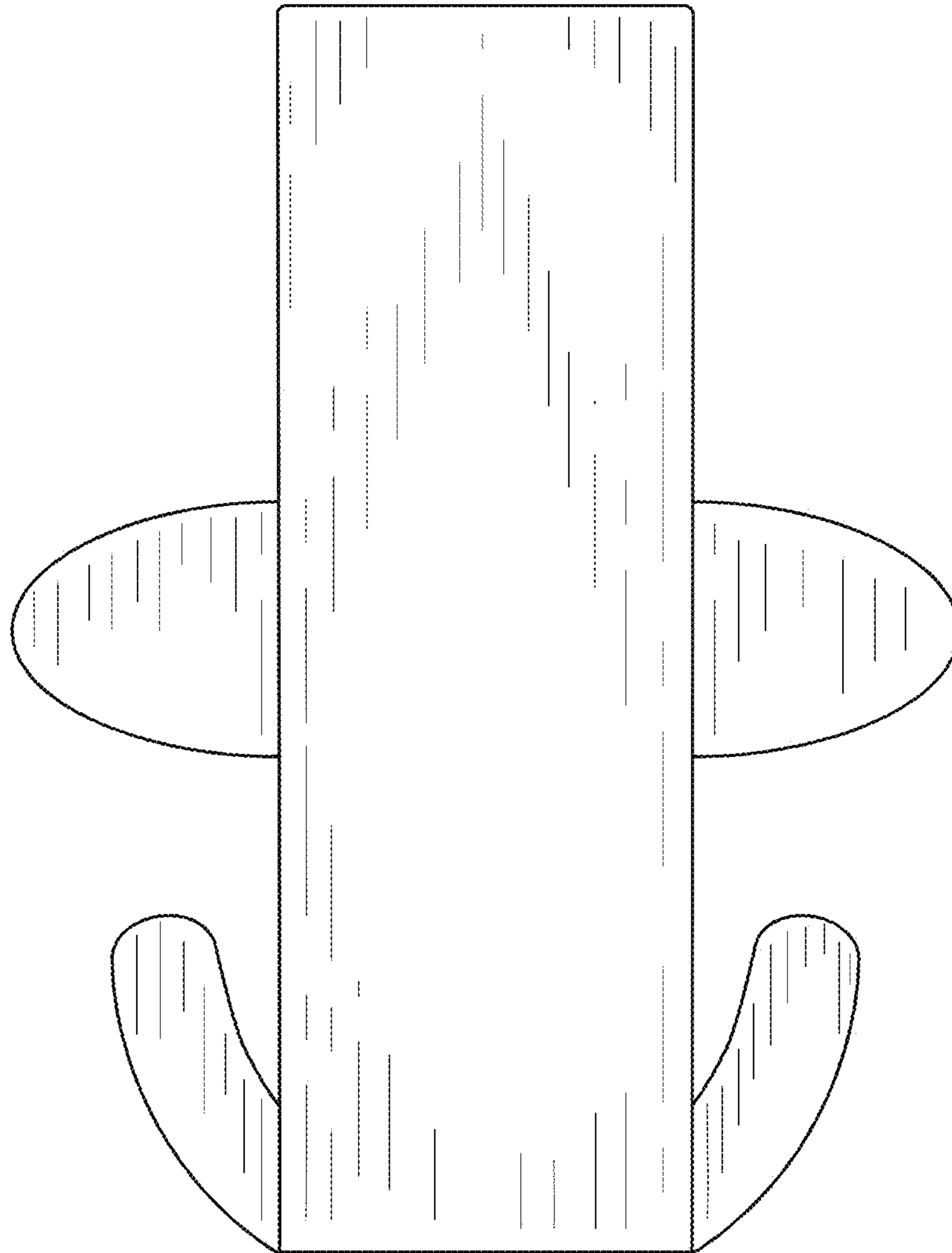


FIG. 5



FIG. 6



FIG. 7