



US00D905468S

(12) **United States Design Patent**  
**Occhionero**

(10) **Patent No.:** **US D905,468 S**

(45) **Date of Patent:** **\*\* Dec. 22, 2020**

- (54) **SHOWER CURTAIN**
- (71) Applicant: **Rudy Occhionero**, Saint-Léonard (CA)
- (72) Inventor: **Rudy Occhionero**, Saint-Léonard (CA)
- (\*\*) Term: **15 Years**
- (21) Appl. No.: **29/651,916**
- (22) Filed: **Jun. 26, 2019**
- (51) **LOC (12) Cl.** ..... **06-10**
- (52) **U.S. Cl.**  
USPC ..... **D6/575**
- (58) **Field of Classification Search**  
USPC ..... D6/575, 578-580  
CPC ..... A47H 2023/003; A47H 2023/025; A47H  
2201/01; A47H 23/00; A47H 23/01;  
A47H 23/05; A47H 23/10; A47K 3/38  
See application file for complete search history.

(56) **References Cited**

U.S. PATENT DOCUMENTS

2,776,439	A *	1/1957	Rondinelli	.....	A47K 3/38
					4/558
2,840,155	A *	6/1958	Stern	.....	A47H 13/00
					160/124
3,035,275	A *	5/1962	Strebeigh	.....	A47K 3/38
					4/608
3,321,003	A *	5/1967	Boerner	.....	A47H 23/04
					160/237
5,003,647	A *	4/1991	Williams	.....	A47K 3/001
					160/368.1
5,007,120	A *	4/1991	Annand	.....	A47K 3/38
					4/558
5,191,922	A *	3/1993	Wade	.....	A47H 13/00
					160/124
5,495,628	A *	3/1996	Logan	.....	A47K 3/38
					4/558
5,682,939	A *	11/1997	Vargo	.....	A47H 23/04
					160/121.1

5,974,603	A *	11/1999	Frazier	.....	A47K 3/38
					160/124
6,219,892	B1 *	4/2001	Johnsen	.....	A47H 13/00
					16/87.2
D655,553	S *	3/2012	Beyda	.....	D6/575
D799,855	S *	10/2017	Webb	.....	D6/575
D809,822	S *	2/2018	Brown	.....	D6/575
2005/0278844	A1 *	12/2005	Boyd, Jr.	.....	A47K 3/38
					4/558
2006/0200901	A1 *	9/2006	Beyda	.....	A47K 3/38
					4/558
2006/0252326	A1 *	11/2006	Mishler	.....	A47H 13/04
					442/123
2007/0245482	A1 *	10/2007	Jenkins	.....	A47K 3/38
					4/558
2008/0289095	A1 *	11/2008	Li	.....	A47K 3/38
					4/610

(Continued)

*Primary Examiner* — Kevin K Rudzinski  
*Assistant Examiner* — Clare Ann Gannon

(57) **CLAIM**

The ornamental design for a shower curtain, as shown and described.

**DESCRIPTION**

FIG. 1 is a front perspective view of a shower curtain in accordance with the design, shown in a position of use with a tub;

FIG. 2 is a rear perspective view thereof, shown in a position of use with a tub;

FIG. 3 is a front elevational view thereof;

FIG. 4 is a rear elevational view thereof;

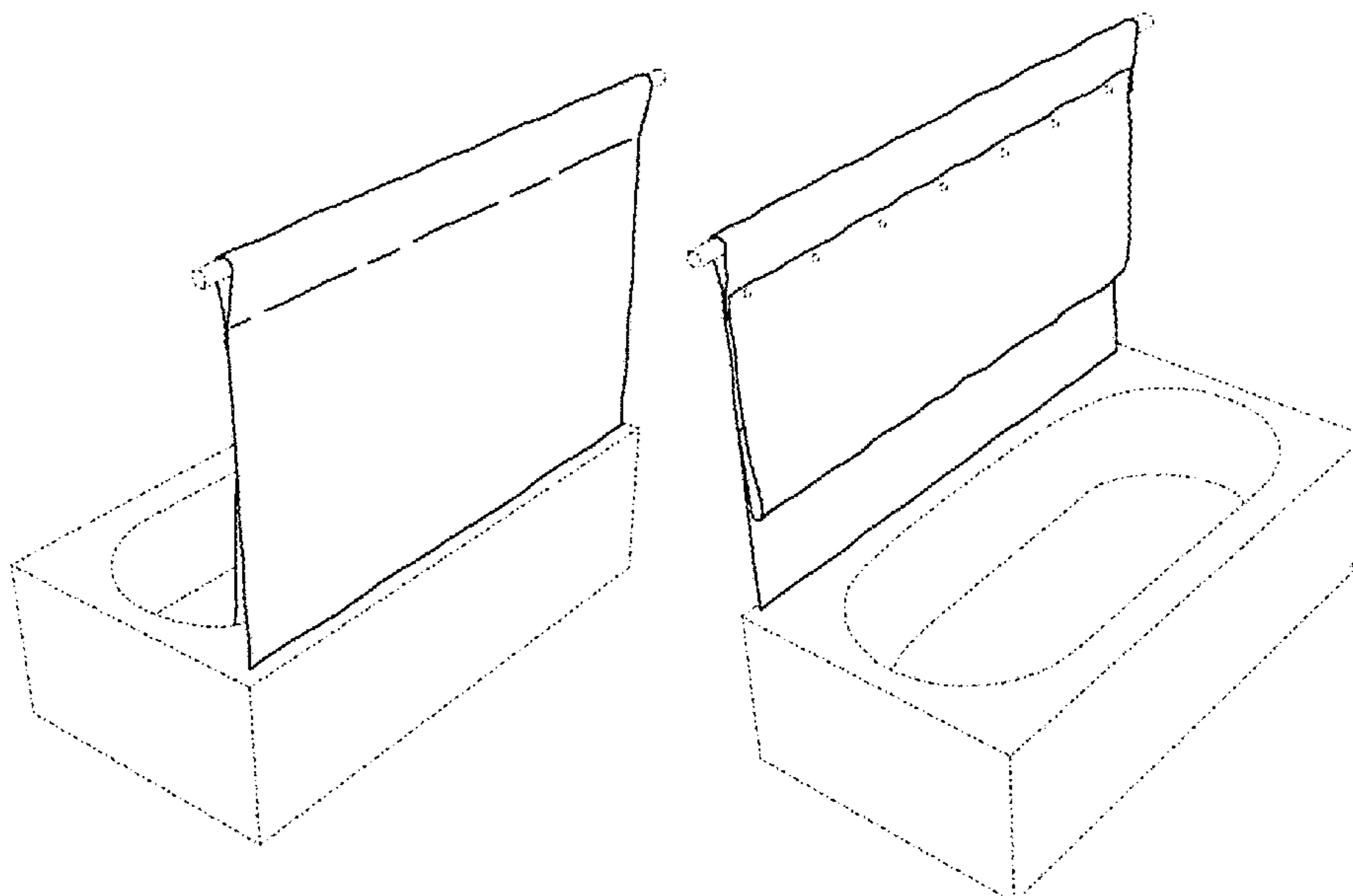
FIG. 5 is a left elevational view thereof;

FIG. 6 is a right elevational view thereof; and,

FIG. 7 is a rear perspective view thereof, shown in a position of use with a tub.

Dot-dashed broken lines depict environmental subject matter which form no part of the claimed design.

**1 Claim, 3 Drawing Sheets**



(56)

**References Cited**

U.S. PATENT DOCUMENTS

2010/0243181 A1\* 9/2010 O'Connor ..... B29C 66/43  
160/236  
2012/0227179 A1\* 9/2012 Beyda ..... A47K 3/302  
4/608  
2013/0283519 A1\* 10/2013 Holden ..... A47H 23/00  
4/558  
2014/0298581 A1\* 10/2014 Chenoweth ..... A47K 3/38  
4/608  
2016/0045080 A1\* 2/2016 Royal ..... A47K 3/38  
4/609  
2019/0218858 A1\* 7/2019 Chen ..... A47H 23/12

\* cited by examiner

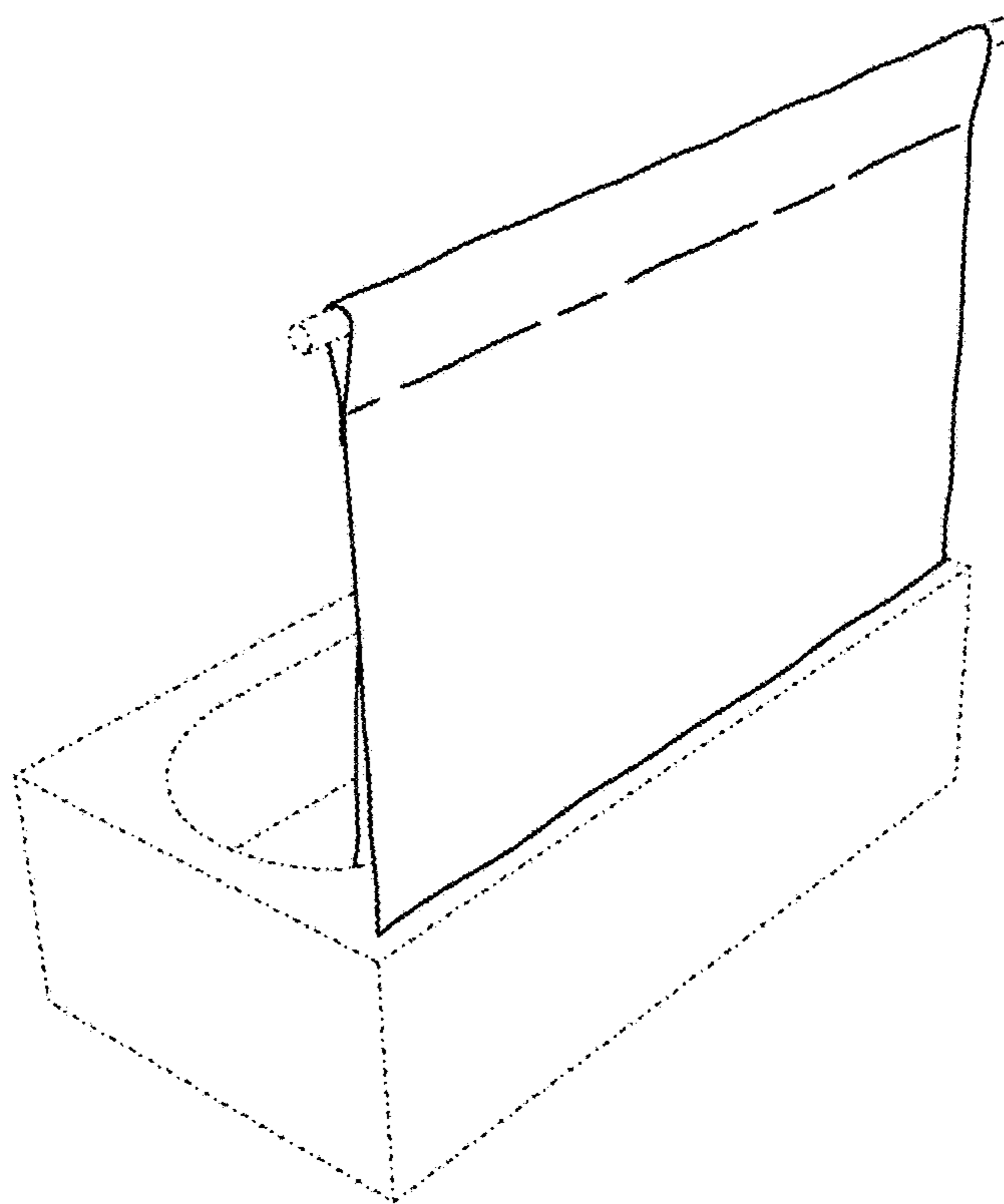


FIG. 1

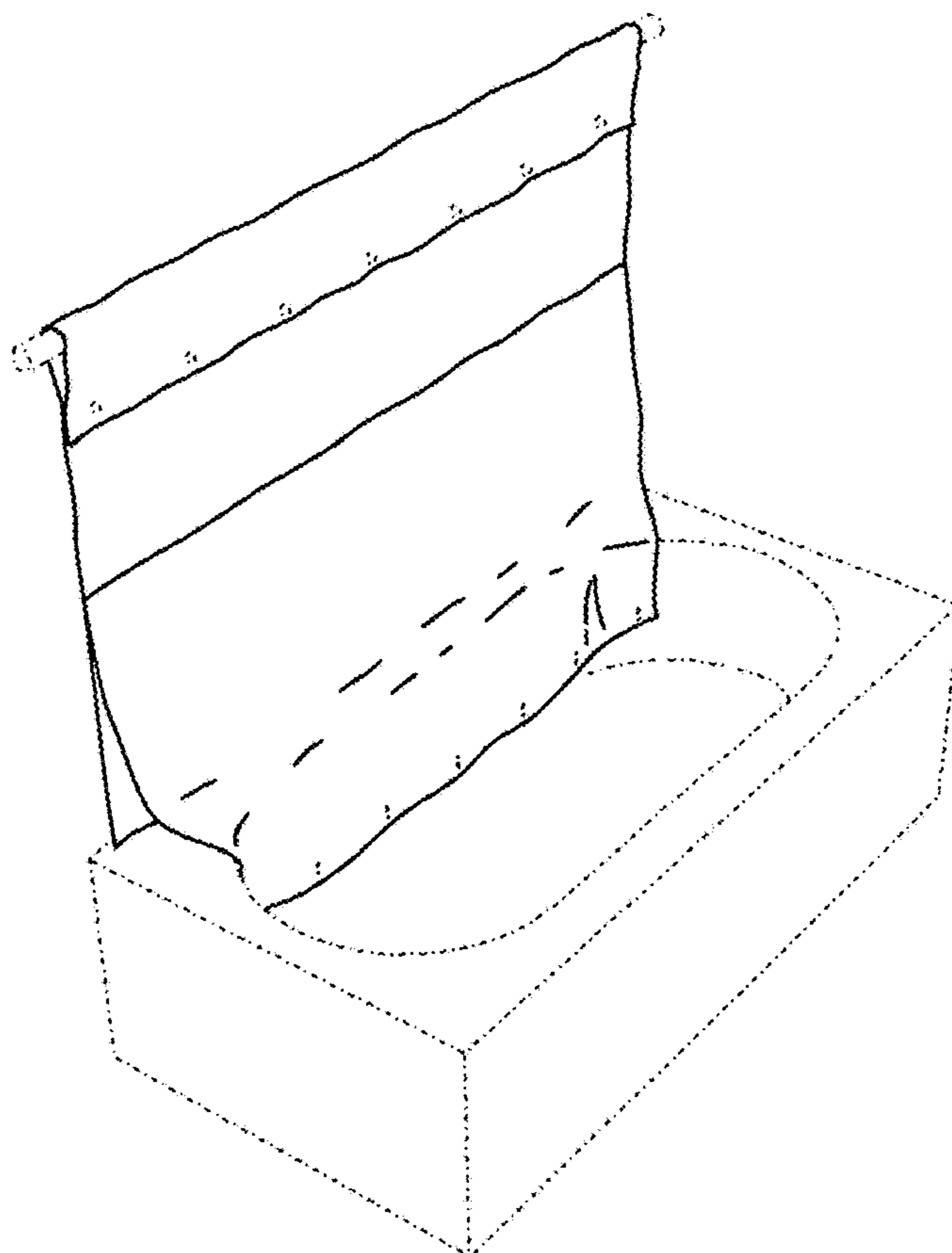


FIG. 2

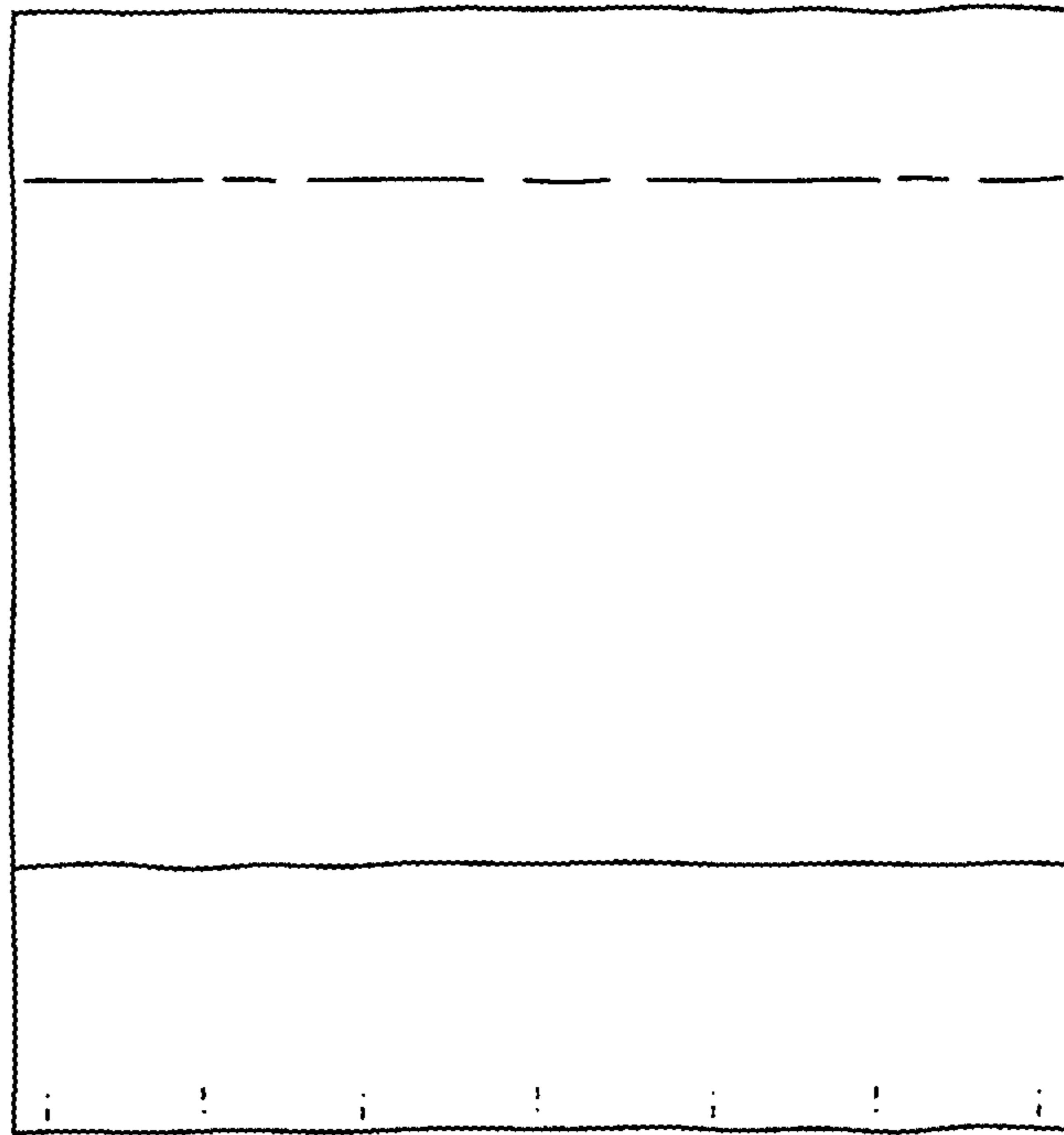


FIG. 3

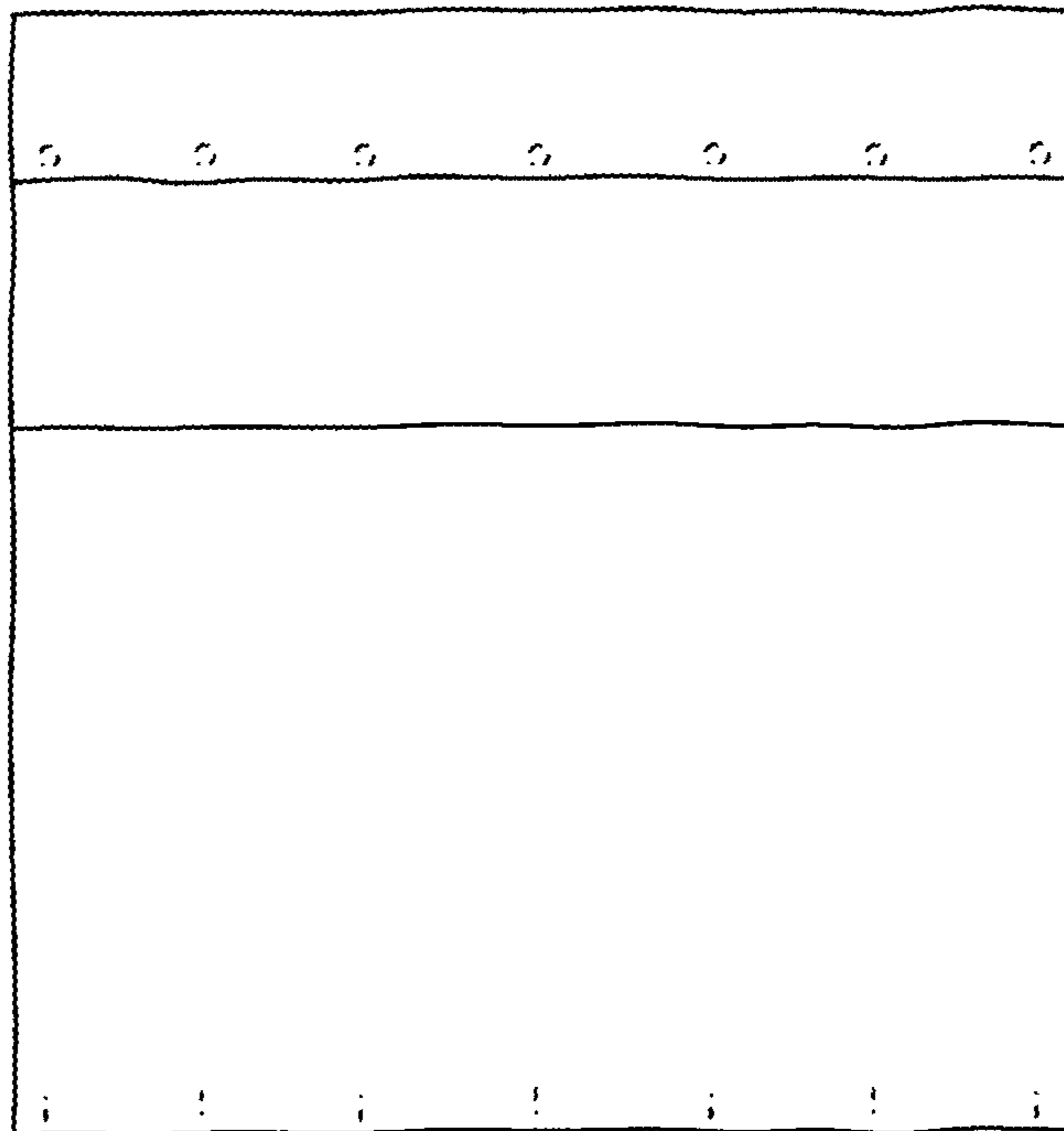


FIG. 4



FIG. 5

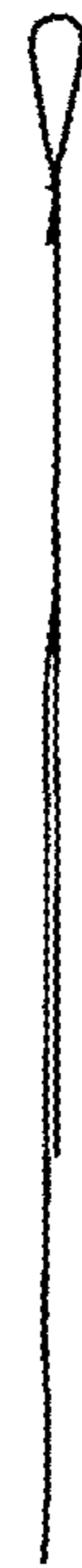


FIG. 6

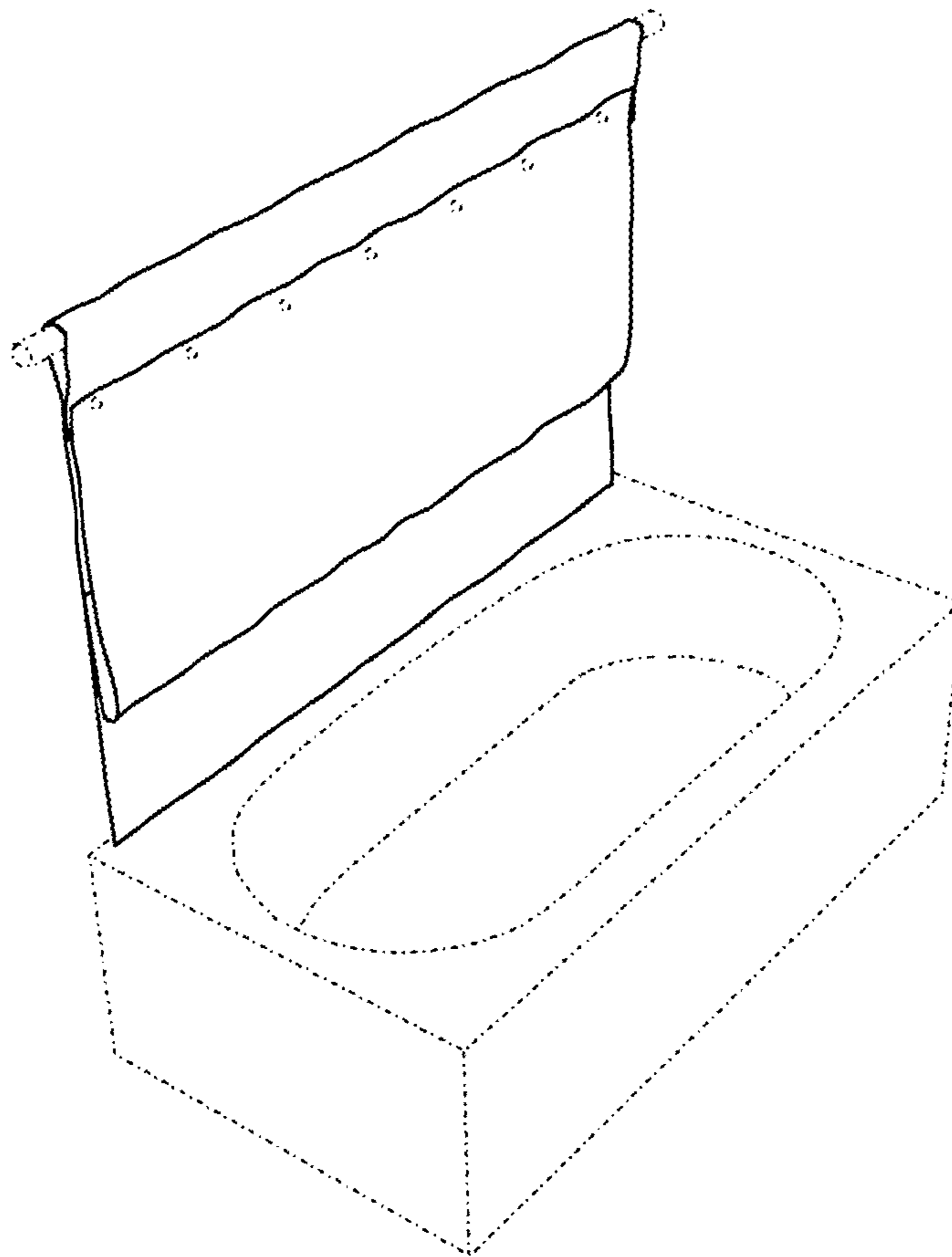


FIG. 7