



US00D905467S

(12) **United States Design Patent** (10) **Patent No.:** **US D905,467 S**
Rubin et al. (45) **Date of Patent:** **** Dec. 22, 2020**

(54) **MAIL ORGANIZER**
(71) Applicant: **RK VENTURES INC.**, Vancouver (CA)
(72) Inventors: **Yuriy Rubin**, Vancouver (CA); **Kostiantyn Kyrylov**, Coquitlam (CA)
(73) Assignee: **RK VENTURES INC.**, Vancouver (CA)
(**) Term: **15 Years**
(21) Appl. No.: **29/722,570**
(22) Filed: **Jan. 30, 2020**
(51) **LOC (12) Cl.** **06-04**
(52) **U.S. Cl.**
USPC **D6/570**
(58) **Field of Classification Search**
USPC D6/570, 574, 512, 524, 552, 553, 572, D6/573, 569, 672, 673, 675, 675.1, 705, D6/560; 211/13.1, 42, 71.01, 86.01, 211/57.01, 88.01, 88.03, 90.01, 90.03, 211/126.1, 133.5, 134, 153, 182; 108/28-29, 152; 248/205.3, 235, 243, 248/247, 249, 250; D3/304-305, 319; D19/75-77, 78-80, 86, 87, 89-92
CPC A47B 43/00; A47B 43/04; A47B 47/0066; A47B 47/04; A47B 63/00; A47B 69/00; A47B 71/00; B65D 51/00
See application file for complete search history.

D496,817 S * 10/2004 Martin D6/553
D537,665 S * 3/2007 Hart D6/525
D578,815 S * 10/2008 Dominique D6/514
D606,347 S * 12/2009 Berry D6/553
D700,454 S * 3/2014 Callif D6/567
D712,679 S * 9/2014 Collins D6/569
D712,680 S * 9/2014 Soldan D6/569
D859,524 S * 9/2019 Goodman D19/90
D872,500 S * 1/2020 Chiang D6/574

OTHER PUBLICATIONS

Comfify.com, Rustic 2-Slot Mail Sorter Organizer for Wall with Chalkboard Surface & 3 Double Key Hooks, Oct. 21, 2020, <https://comfify.com/collections/rustic-mail-organizers/products/comfify-2-slot-mail-sorter?variant=32667237253223> (Year: 2020).*

* cited by examiner

Primary Examiner — Nathan M Johnston
(74) *Attorney, Agent, or Firm* — Pete Adams Law, PLLC; Peter Adams

(57) **CLAIM**

The ornamental design for a mail organizer, as shown and described.

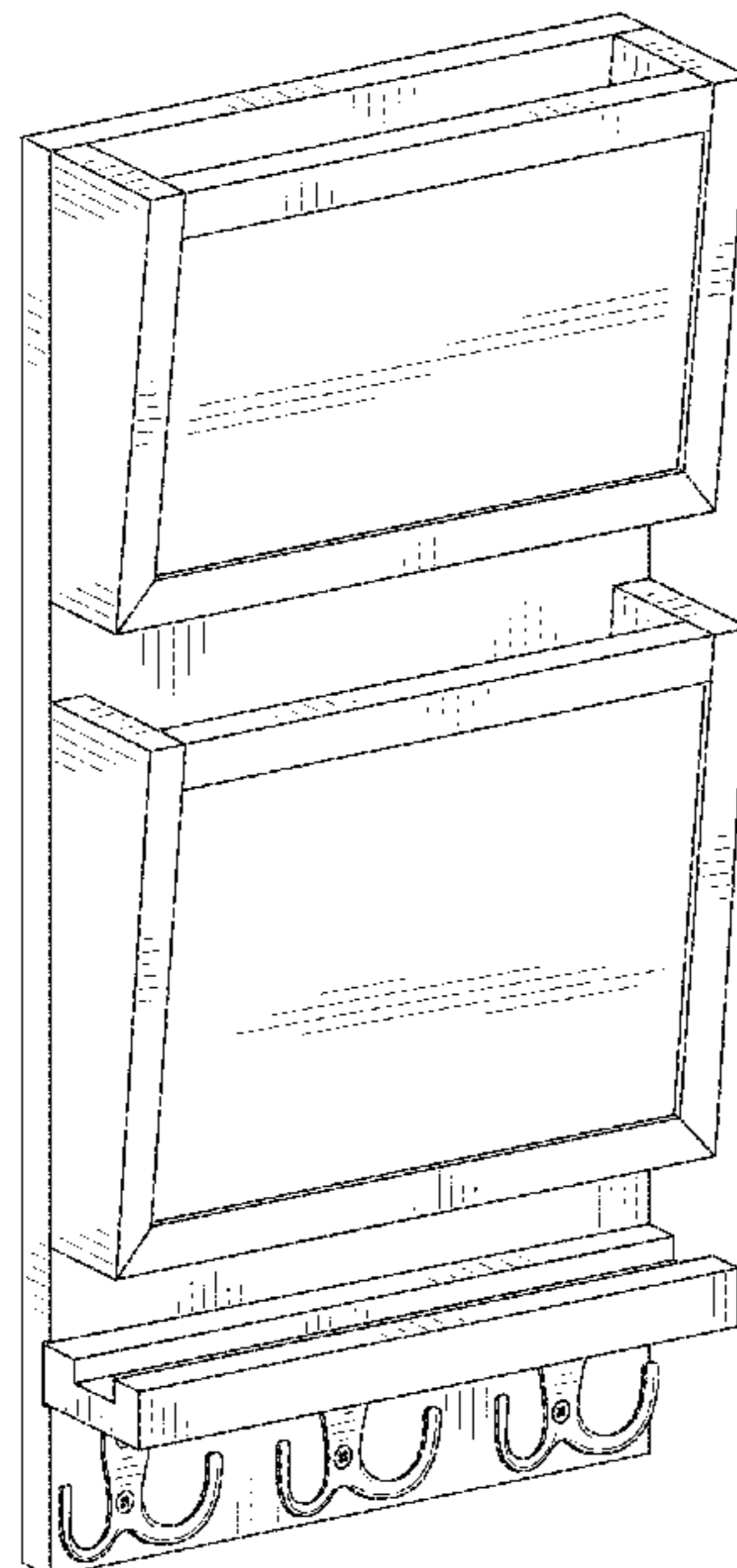
DESCRIPTION

FIG. 1 is a perspective view of the mail organizer; FIG. 2 is a front view of the mail organizer; FIG. 3 is a rear view of the mail organizer; FIG. 4 is a right side view of the mail organizer; FIG. 5 is a left side view of the mail organizer; FIG. 6 is a top view of the mail organizer; and, FIG. 7 is a bottom view of the mail organizer. The broken lines in FIGS. 3-7 represent unclaimed environmental subject matter and form no part of the claimed design.

1 Claim, 5 Drawing Sheets

(56) **References Cited**
U.S. PATENT DOCUMENTS

D300,795 S * 4/1989 Kellogg D6/567
D354,646 S * 1/1995 Weinstein D6/567
D437,166 S * 2/2001 Court D6/567
D437,354 S * 2/2001 Andujar D19/75



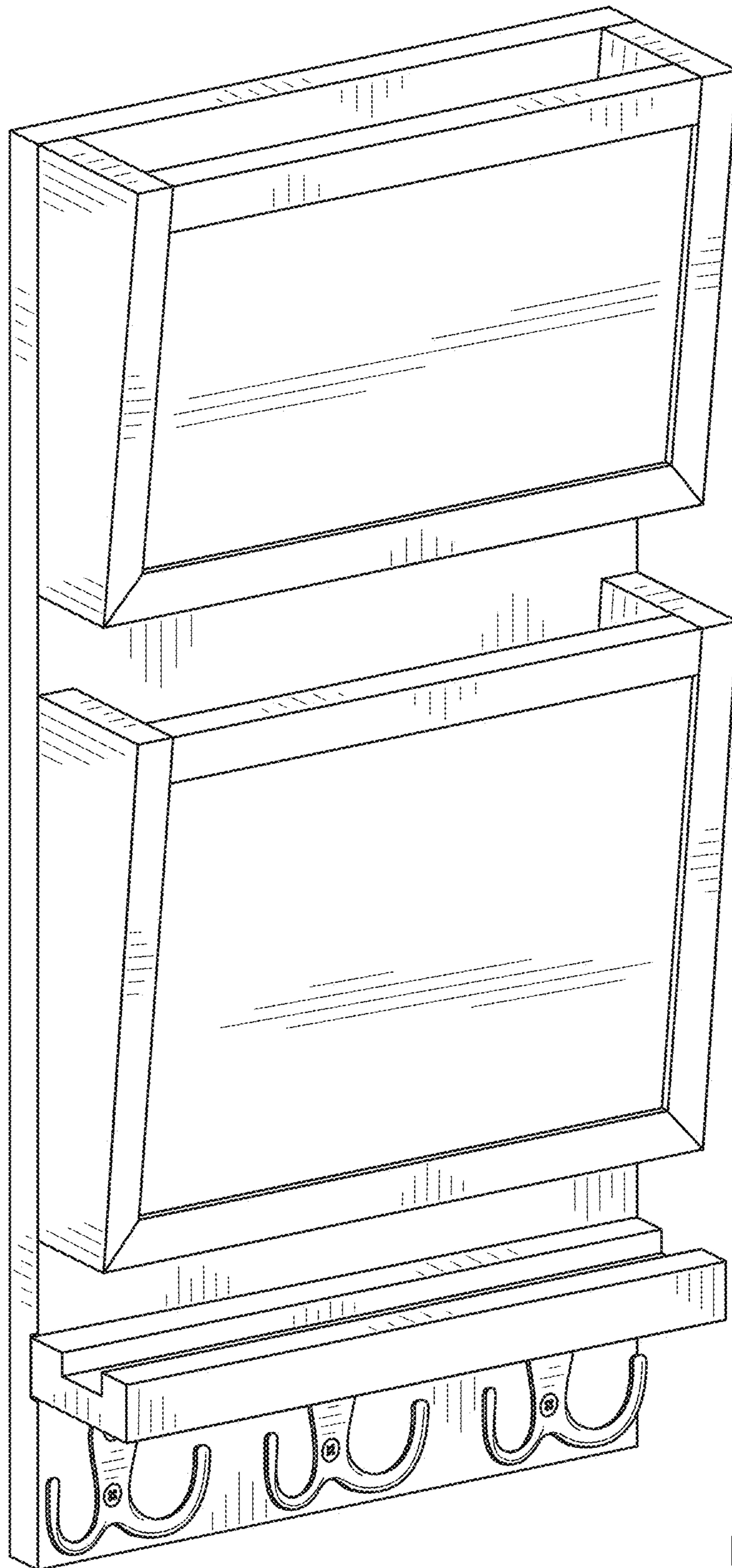


FIG. 1

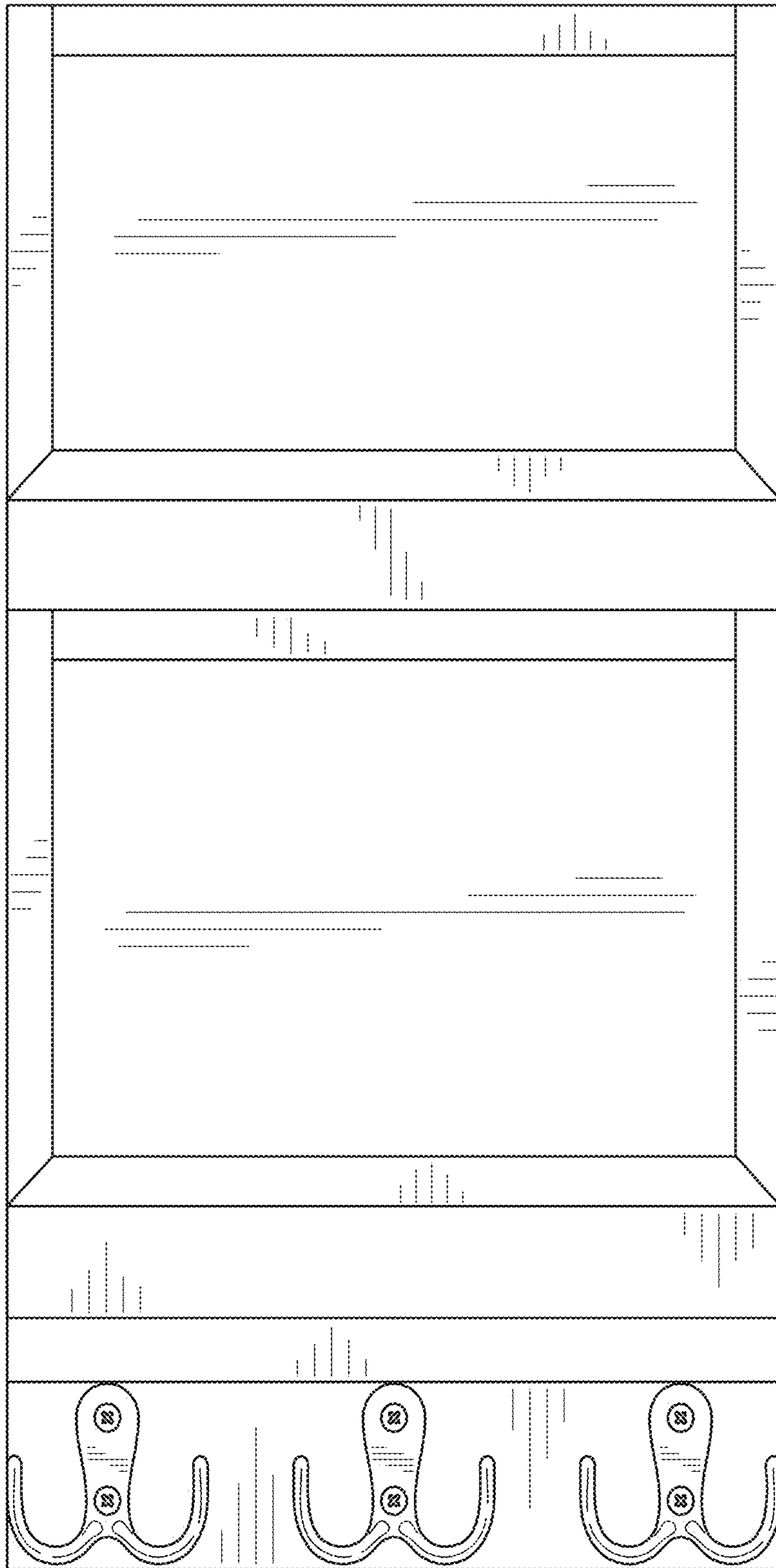


FIG. 2

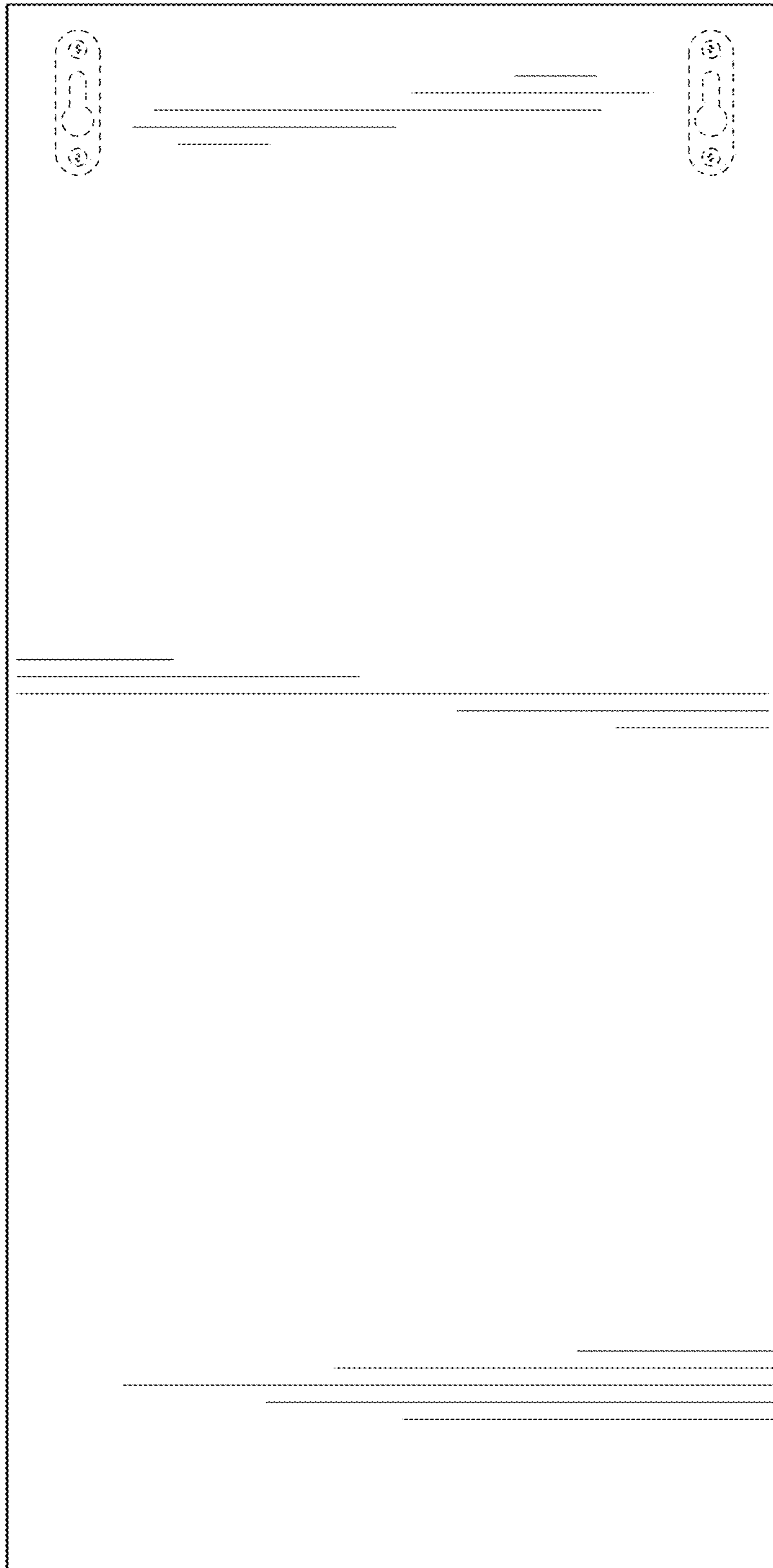


FIG. 3

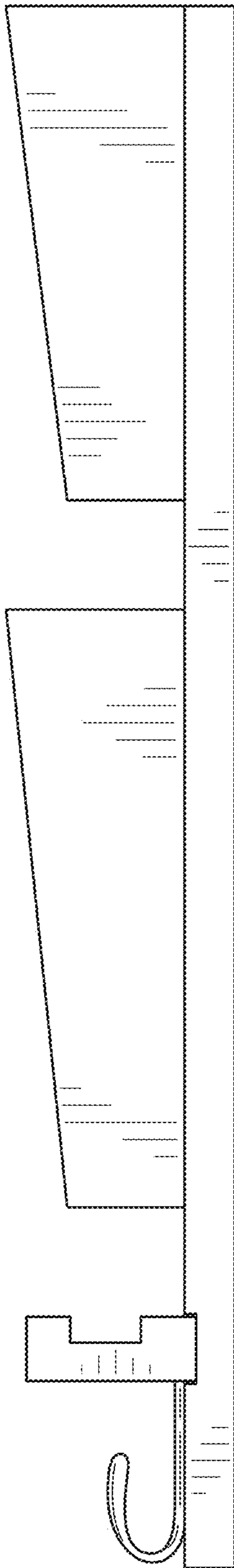


FIG. 4

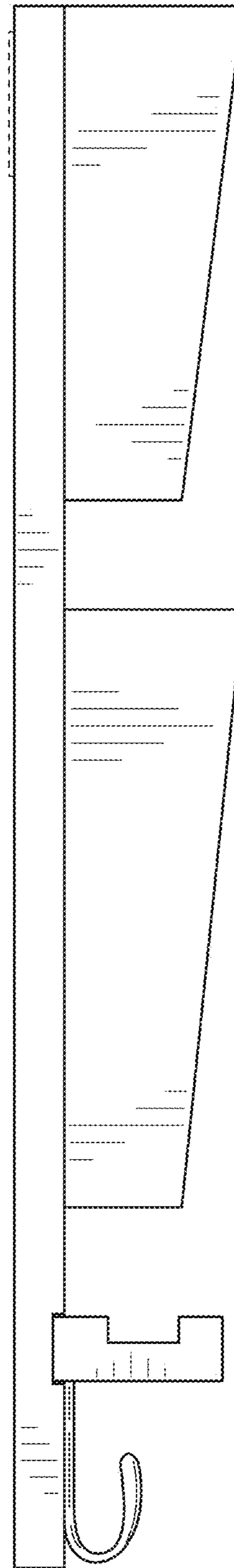


FIG. 5

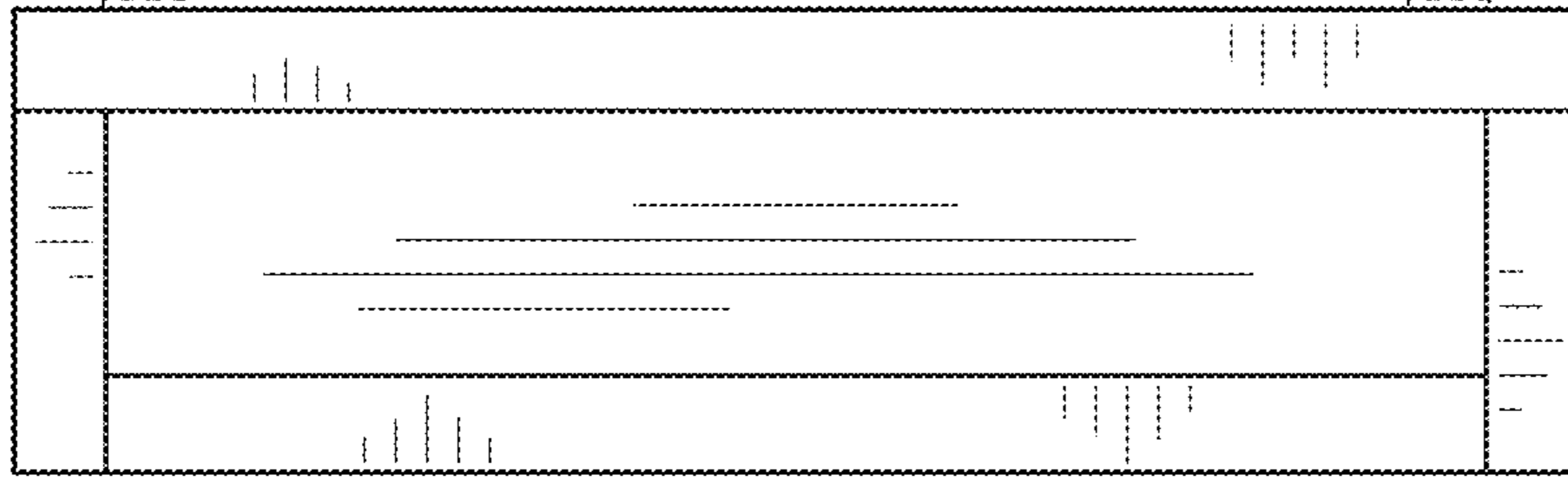


FIG. 6

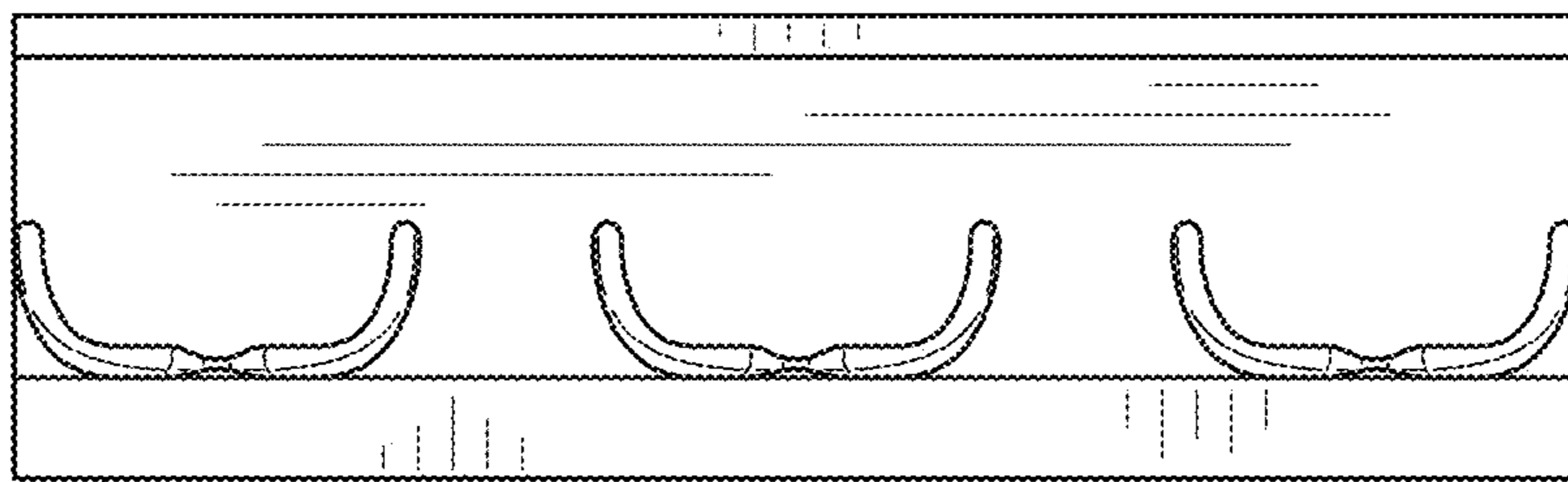


FIG. 7