



US00D905464S

(12) **United States Design Patent** (10) **Patent No.:** **US D905,464 S**  
**Sinclair** (45) **Date of Patent:** **\*\* \*Dec. 22, 2020**

(54) **PRODUCT DISPENSER WITH ANIMATED LED ILLUMINATION**  
(71) Applicant: **GPCP IP Holdings LLC**, Atlanta, GA (US)  
(72) Inventor: **Aaron Lee Sinclair**, Tyrone, GA (US)  
(73) Assignee: **GPCP IP HOLDINGS LLC**, Atlanta, GA (US)

D490,935 S 6/2004 Zadro et al.  
D623,453 S 9/2010 Benedetti  
D640,077 S \* 6/2011 Jensen ..... D6/517  
D655,962 S \* 3/2012 Cittadino ..... D6/545  
D658,604 S 5/2012 Egawa et al.  
D674,222 S \* 1/2013 Green ..... D6/518  
(Continued)

(\* ) Notice: This patent is subject to a terminal disclaimer.  
(\*\*) Term: **15 Years**

(21) Appl. No.: **29/592,810**  
(22) Filed: **Feb. 2, 2017**

(51) **LOC (12) Cl.** ..... **06-06**  
(52) **U.S. Cl.**  
USPC ..... **D6/518**

(58) **Field of Classification Search**  
USPC ..... D14/485-495; D6/515-523;  
D7/305-311, 313, 397  
CPC .... G06F 3/048; G06F 3/0484; G06F 3/04842;  
G06F 3/04845; G06F 3/04847; G06F  
3/0485; G06F 3/04855; G06F 3/0486;  
G06F 3/0487; G06F 3/0481; G06F  
3/04812; G06F 3/04815; G06F 3/04817;  
G06F 3/0482; G06F 3/0483; G06F  
3/0488; G06F 3/04883; G06F 3/04886;  
H04N 1/00424; A47K 5/14; A47K  
5/1217; A47K 5/12; B05B 11/3087;  
B05B 7/0037  
See application file for complete search history.

(56) **References Cited**  
U.S. PATENT DOCUMENTS

D314,829 S 2/1991 Brock  
D343,086 S 1/1994 Wood

**OTHER PUBLICATIONS**

Moore, E., Unilad; "The Real Story Behind Xbox 360's Red Ring of Death" retrieved from <<http://www.unilad.co.uk/gaming/the-real-story-behind-xbox-360s-red-ring-of-death/>>.  
(Continued)

*Primary Examiner* — Bao-Yen T Nguyen  
(74) *Attorney, Agent, or Firm* — Nelson Mullins Riley & Scarborough LLP

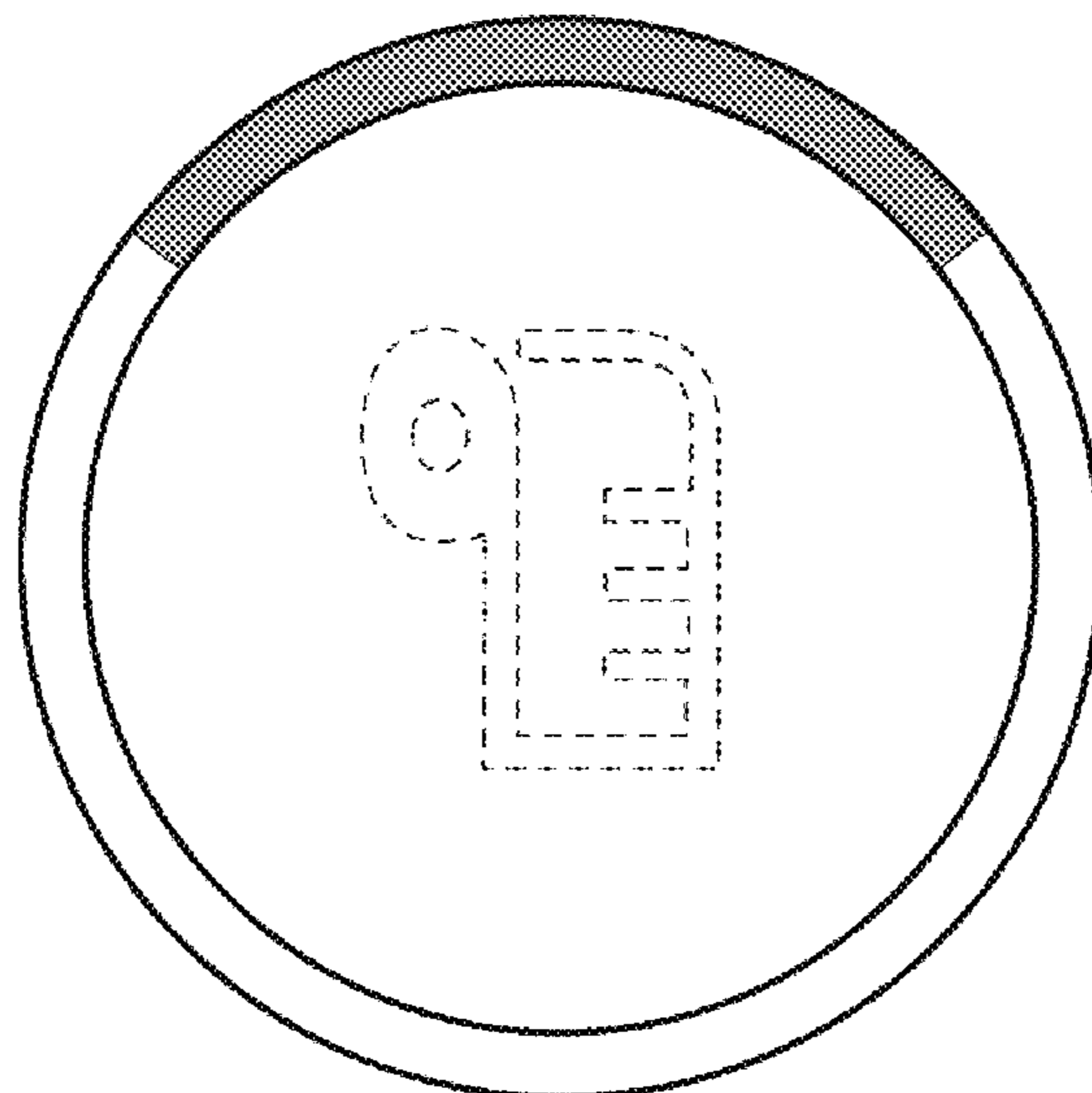
(57) **CLAIM**

The ornamental design for a product dispenser with animated LED illumination, as shown and described.

**DESCRIPTION**

FIG. 1 is a front view of a first LED illumination in an animated sequence for the product dispenser with animated LED illumination;  
FIG. 2 is a front view of a second LED illumination thereof;  
FIG. 3 is a front view of a third LED illumination thereof;  
FIG. 4 is another front view of the first LED illumination thereof;  
FIG. 5 is another front view of the second LED illumination thereof; and,  
FIG. 6 is another front view of the third LED illumination thereof.  
The broken lines are illustrative of the product dispenser and form no part of the claimed design.  
The LED illumination animation is shown separately from the article of manufacture in FIGS. 1-3 for ease of visibility.

**1 Claim, 6 Drawing Sheets**



(56)

References Cited

U.S. PATENT DOCUMENTS

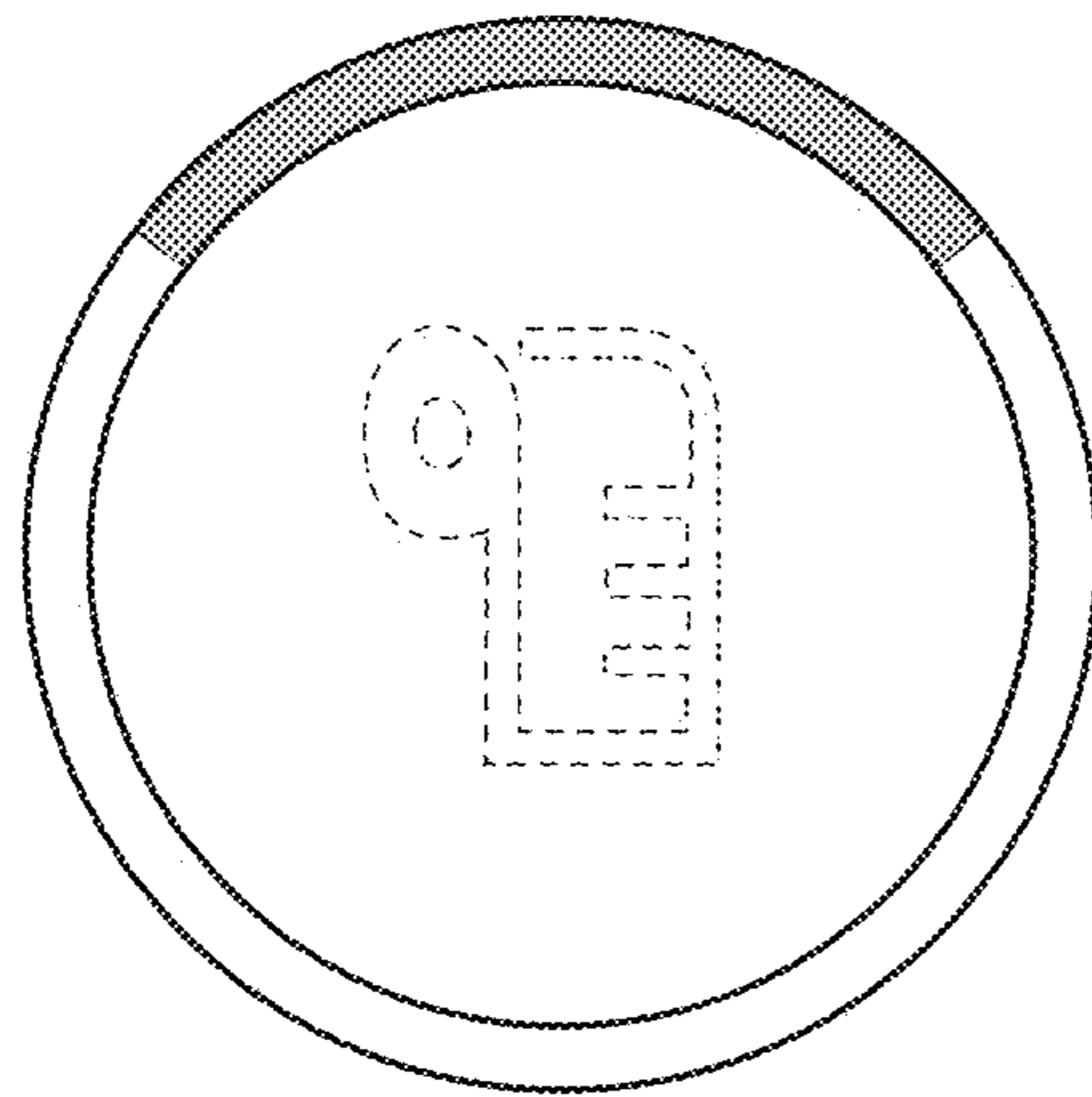
D674,633 S \* 1/2013 Green ..... D6/518  
 D681,649 S 5/2013 Fletcher et al.  
 D690,720 S \* 10/2013 Waldman ..... D14/485  
 D706,283 S \* 6/2014 Pedraza Padilla ..... D14/485  
 D716,325 S \* 10/2014 Brudnicki ..... D14/486  
 D716,327 S \* 10/2014 Schoger ..... D14/486  
 D721,084 S 1/2015 Kimball et al.  
 D746,295 S 12/2015 Arai et al.  
 D746,828 S 1/2016 Arai et al.  
 D748,648 S \* 2/2016 Kim ..... D14/486  
 D750,101 S 2/2016 Bates et al.  
 D751,108 S \* 3/2016 Caldwell ..... G06T 11/206  
 D754,446 S 4/2016 Yang et al.  
 D754,686 S \* 4/2016 Mandeville ..... D14/485  
 D755,201 S 5/2016 Kim  
 D760,729 S 7/2016 Cole  
 D760,761 S \* 7/2016 Willis ..... D14/486  
 D763,288 S \* 8/2016 Mistry ..... D14/486  
 D764,491 S \* 8/2016 Green ..... D14/485  
 D764,516 S \* 8/2016 Lamparelli ..... D14/486  
 D767,297 S 9/2016 Madsen et al.  
 D773,202 S 12/2016 Madsen et al.  
 D775,195 S \* 12/2016 Caldwell ..... D14/486  
 D775,497 S 1/2017 Roche et al.  
 D778,292 S \* 2/2017 Mochizuki ..... D14/485  
 D780,303 S 2/2017 Kassouni  
 D780,870 S 3/2017 Hamilton  
 D781,065 S \* 3/2017 Brownley ..... D6/515  
 D782,329 S \* 3/2017 Sobel ..... D9/734  
 D784,360 S 4/2017 Harder et al.  
 D784,361 S \* 4/2017 Graham ..... D14/485  
 D787,526 S 5/2017 Lee et al.  
 D787,527 S 5/2017 Wilberding  
 D787,536 S \* 5/2017 Pantelis ..... D14/486  
 D787,552 S \* 5/2017 Napper ..... D14/489  
 D788,165 S \* 5/2017 Bunyard ..... D14/489  
 D788,792 S 6/2017 Alessandri et al.  
 D794,649 S 8/2017 Niiijima et al.  
 D794,666 S \* 8/2017 Havaladar ..... D14/486  
 D795,903 S 8/2017 Chen et al.

D796,520 S 9/2017 Klar et al.  
 D797,765 S 9/2017 Su et al.  
 D798,311 S 9/2017 Golden et al.  
 D798,316 S 9/2017 Bradley et al.  
 D798,886 S 10/2017 Prophete et al.  
 D799,235 S \* 10/2017 Madsen ..... D6/518  
 D799,236 S \* 10/2017 Madsen ..... D6/518  
 D799,498 S \* 10/2017 Graham ..... D14/485  
 D800,144 S \* 10/2017 Anderson ..... D14/485  
 D801,347 S 10/2017 Zhu et al.  
 D801,349 S \* 10/2017 Day ..... D14/485  
 D801,350 S \* 10/2017 Rejkowski ..... D14/485  
 D801,986 S 11/2017 Pirklbauer  
 D801,992 S 11/2017 Fischbach  
 D802,008 S \* 11/2017 Zhang ..... D14/487  
 D802,603 S 11/2017 Bickel et al.  
 D803,230 S 11/2017 Jaini et al.  
 D803,233 S \* 11/2017 Wilberding ..... D14/485  
 D803,234 S \* 11/2017 Day ..... D14/485  
 D803,247 S \* 11/2017 Mistry ..... D14/486  
 D803,870 S \* 11/2017 Landry ..... D14/488  
 D804,492 S \* 12/2017 Graham ..... D14/485  
 D806,573 S \* 1/2018 Sobel ..... D9/734  
 D807,076 S 1/2018 Kapiloff et al.  
 D838,530 S \* 1/2019 Gnadinger ..... D7/307  
 D838,540 S \* 1/2019 Gnadinger ..... D7/397  
 2017/0042390 A1 2/2017 Rubenson et al.

OTHER PUBLICATIONS

QuackMasterDan., "Xbox 360 Wireless Controller Ring of Light" retrieved from <<http://www.instructables.com/id/Xbox-360-Wireless-Controller-Ring-of-Light/>>.  
 Design U.S. Appl. No. 29/578,911, filed Sep. 26, 2016, Entitled "Dispenser".  
 Design U.S. Appl. No. 29/578,913, filed Sep. 26, 2016, Entitled "Dispenser".  
 Design U.S. Appl. No. 29/578,917, filed Sep. 26, 2016, Entitled "Dispenser".  
 Design U.S. Appl. No. 29/577,330, filed Sep. 12, 2016, Entitled "Dispenser".

\* cited by examiner



**FIG. 1**

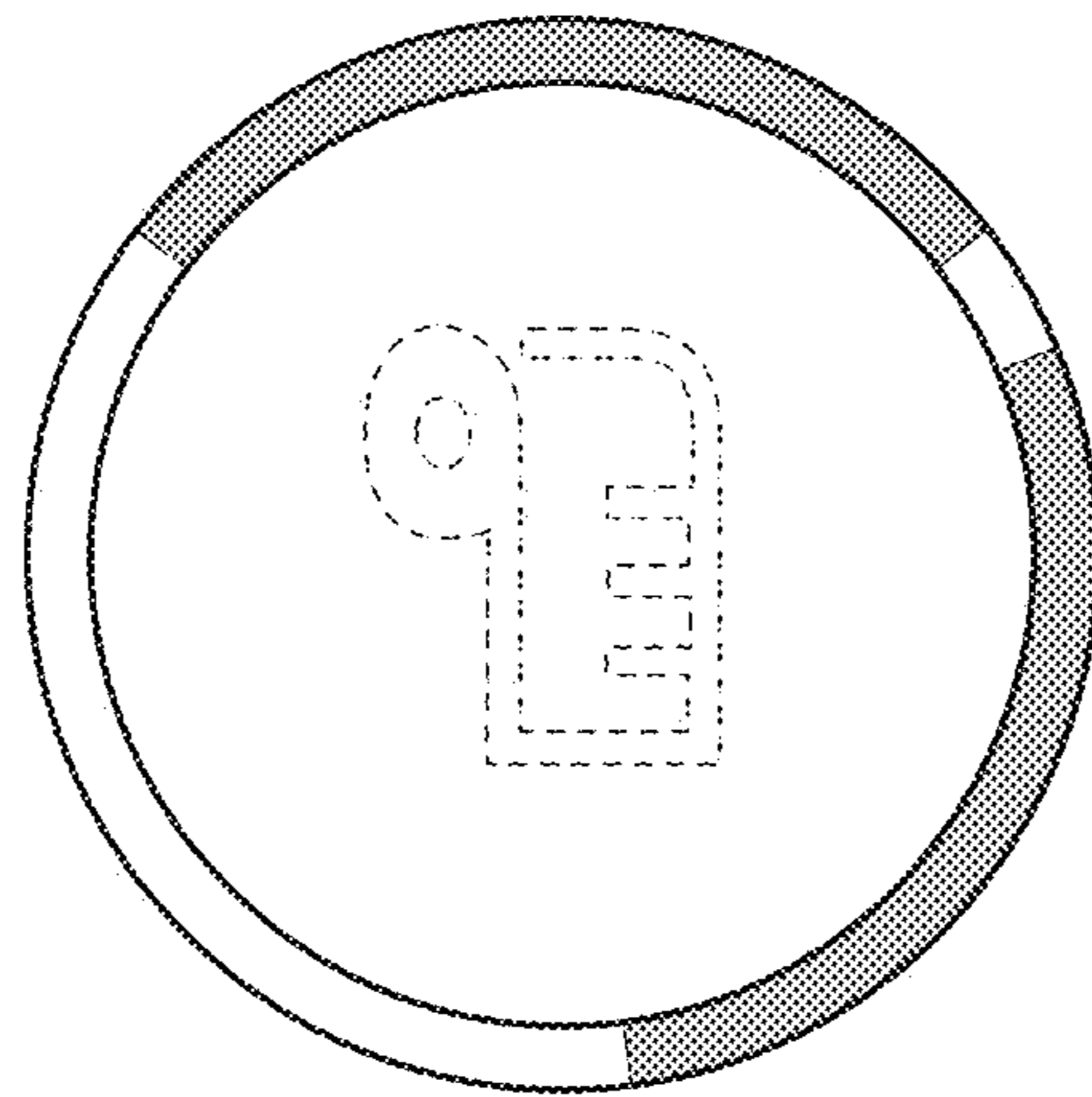
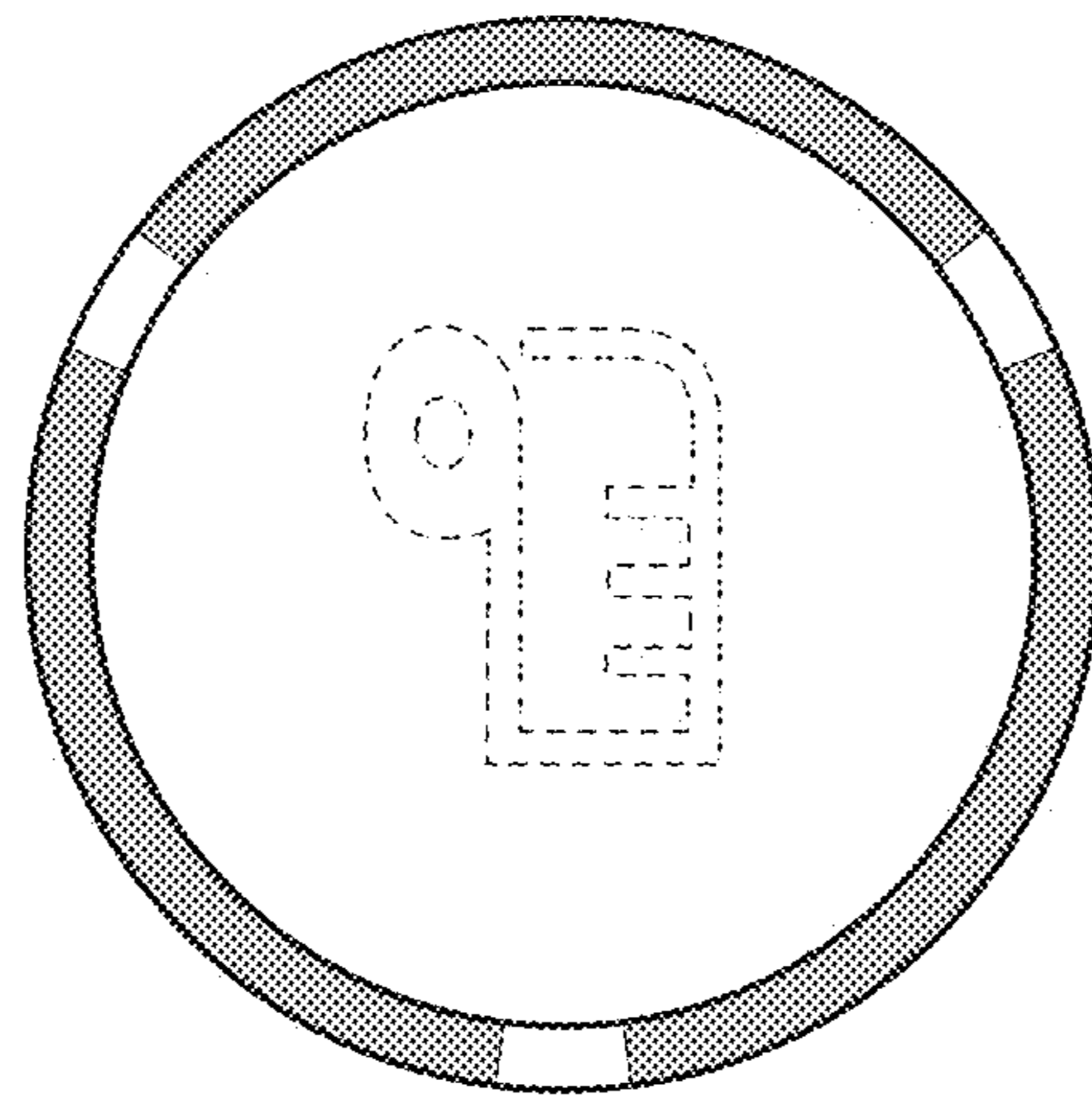


FIG. 2



**FIG. 3**

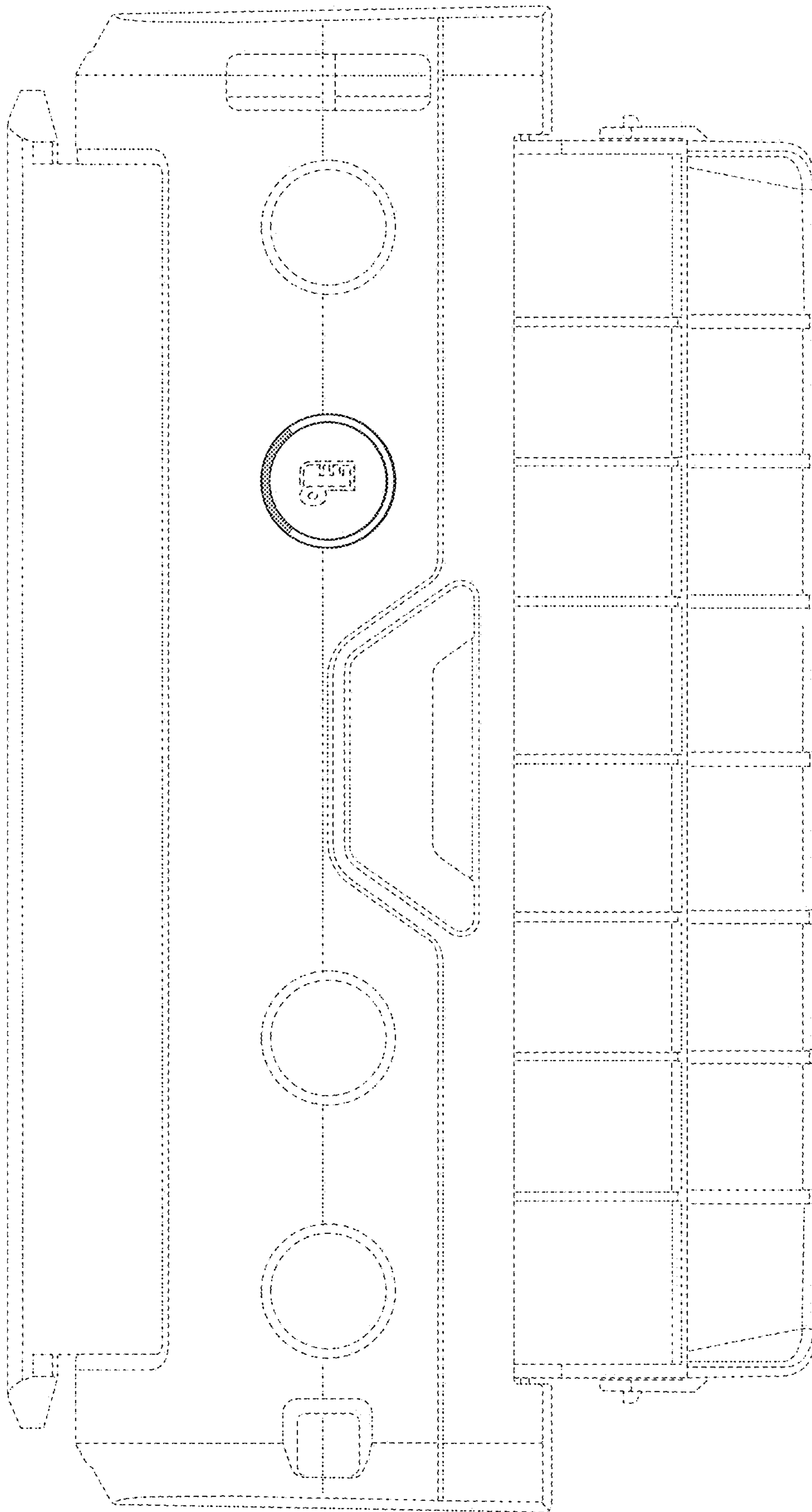


FIG. 4

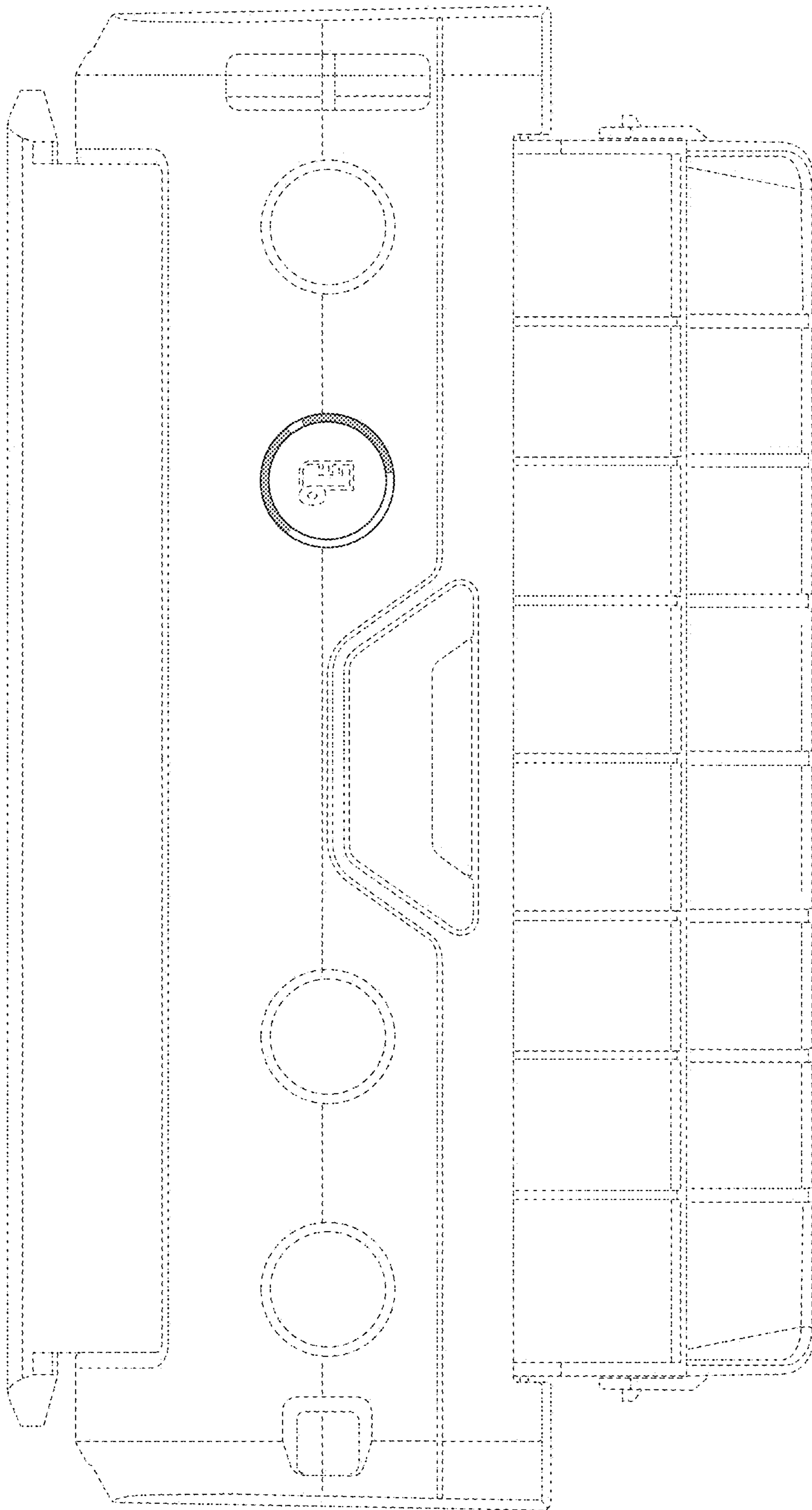


FIG. 5

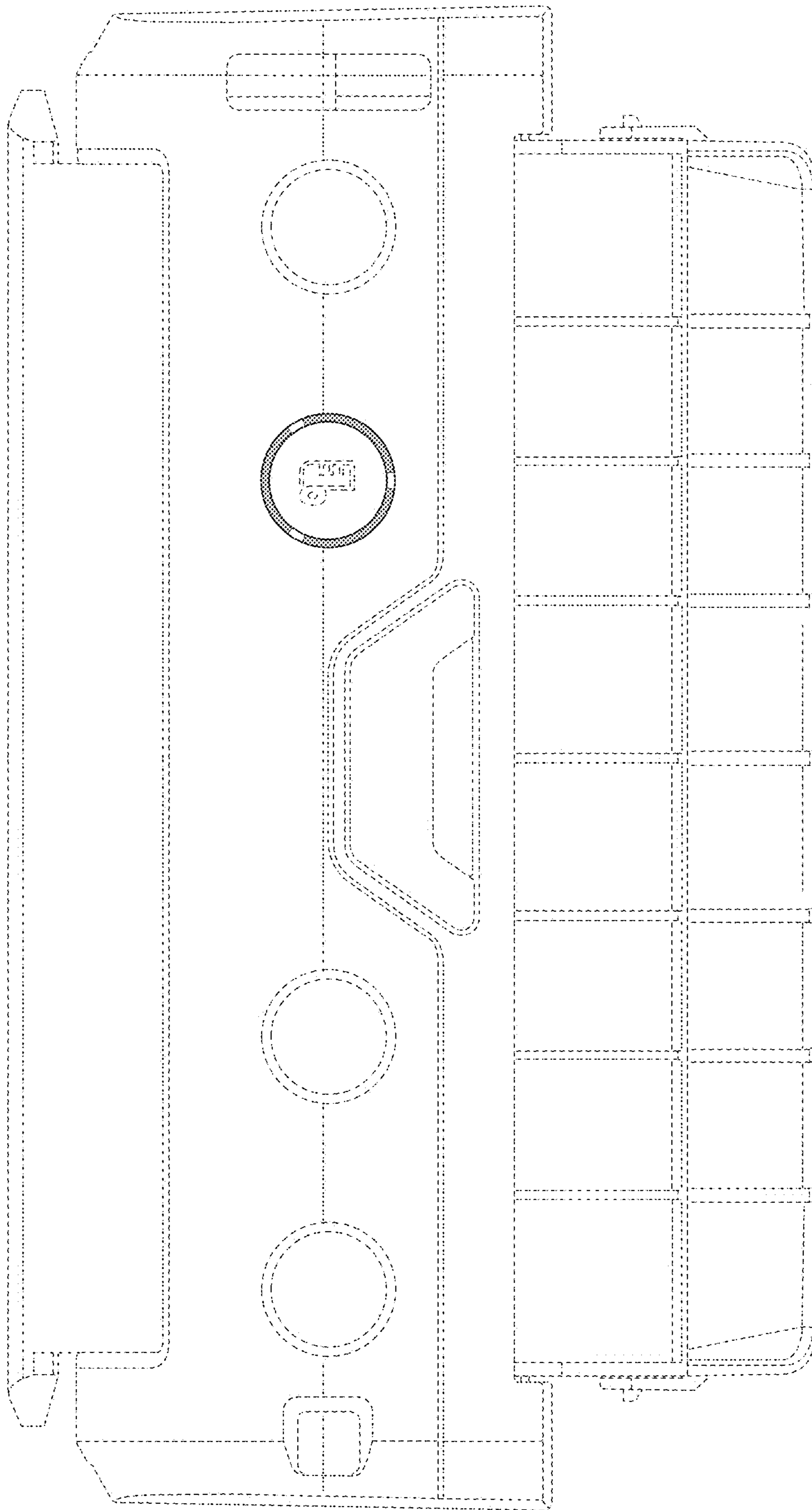


FIG. 6