



US00D905463S

(12) **United States Design Patent** (10) **Patent No.:** **US D905,463 S**
Sullins (45) **Date of Patent:** **** Dec. 22, 2020**

(54) **LAP TRAY WITH ELECTRONICS PROP**

(71) Applicant: **Patrick Hogan Sullins**, Arlington, TX (US)

(72) Inventor: **Patrick Hogan Sullins**, Arlington, TX (US)

(73) Assignee: **Creative Manufacturing, LLC**, Arlington, TX (US)

(**) Term: **15 Years**

(21) Appl. No.: **29/733,901**

(22) Filed: **May 7, 2020**

Related U.S. Application Data

(63) Continuation-in-part of application No. 29/625,415, filed on Nov. 9, 2017, now Pat. No. Des. 887,165.

(51) **LOC (12) Cl.** **06-03**

(52) **U.S. Cl.**
USPC **D6/406.3**

(58) **Field of Classification Search**
USPC D6/512, 685-686, 691, 704, 707.19, D6/406.1, 406.2, 406.3, 406.4, 406.5, D6/406.6; D7/545, 550.1, 552.2, 554.3
CPC A47G 23/06; A47G 23/08; A47G 23/0608; A47G 23/0208; A47B 19/08; A47B 23/00; A47B 23/001; B25H 3/06
See application file for complete search history.

(56) **References Cited**

U.S. PATENT DOCUMENTS

| | | | | |
|--------------|---------|----------|-------|--------|
| D259,428 S * | 6/1981 | Macowski | | D19/92 |
| D275,771 S * | 10/1984 | Evans | | D18/49 |
| D302,703 S * | 8/1989 | Foran | | D19/92 |
| D327,504 S * | 6/1992 | Breen | | D19/86 |
| D338,685 S * | 8/1993 | Dakich | | D19/92 |

| | | | | |
|---------------|---------|------------|-------|---------------------------|
| D348,694 S * | 7/1994 | Evenson | | D19/86 |
| D390,876 S * | 2/1998 | Cheris | | D19/75 |
| 5,733,025 A * | 3/1998 | Jesse, Sr. | | A47B 87/0253 312/223.3 |
| D422,389 S * | 4/2000 | Gay | | D32/74 |
| D492,360 S * | 6/2004 | Hardy | | D19/92 |
| D501,226 S * | 1/2005 | DeCarlo | | D19/86 |
| D573,654 S * | 7/2008 | Hardy | | D19/92 |
| D679,331 S * | 4/2013 | Stravitz | | D19/92 |
| D780,848 S * | 3/2017 | Greenspon | | D19/92 |
| D835,920 S * | 12/2018 | Sullins | | D6/406.3 |
| D858,206 S * | 9/2019 | Chiang | | D7/554.3 |

(Continued)

Primary Examiner — Kelley A Donnelly

(74) *Attorney, Agent, or Firm* — Guy V. Manning

(57) **CLAIM**

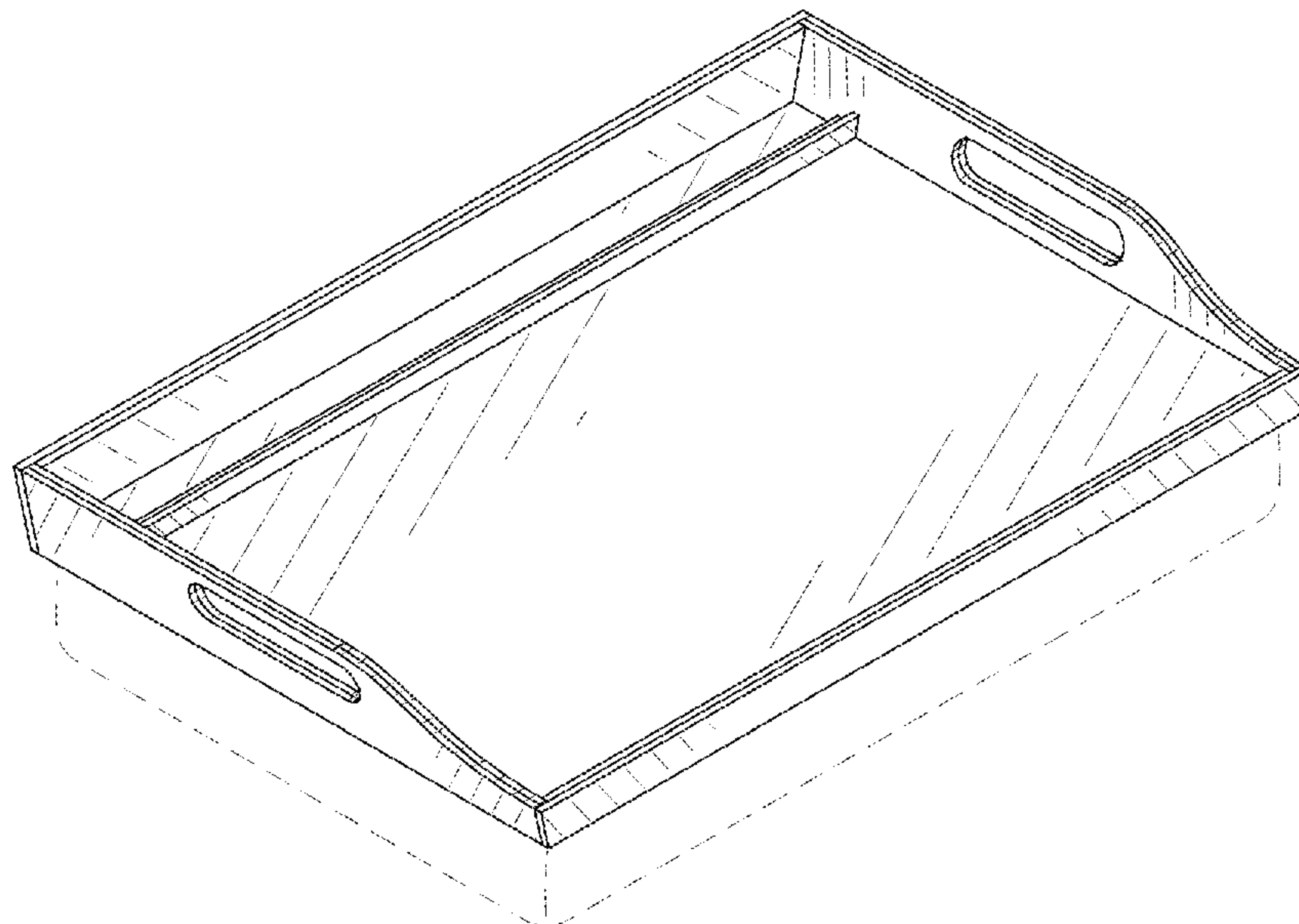
The ornamental design for a lap tray with electronics prop, as shown and described.

DESCRIPTION

FIG. 1 is an elevated, front left-quartering perspective view of the new design for a lap tray with electronics prop; FIG. 2 is a left side elevational view of the new design shown in FIG. 1, a right side elevational view being the mirror image of FIG. 2; FIG. 3 is a rear elevational view of the new design shown in FIG. 1; FIG. 4 is a front elevational view of the new design shown in FIG. 1; FIG. 5 is a section view, as indicated in FIG. 4, of the new design shown in FIG. 1; FIG. 6 is a top plan view of the new design shown in FIG. 1; and, FIG. 7 is a bottom plan view of the new design shown in FIG. 1.

The broken lines included within the drawing figures depict environmental subject matter only and form no part of the claimed design.

1 Claim, 4 Drawing Sheets



(56)

References Cited

U.S. PATENT DOCUMENTS

D873,049 S * 1/2020 Sullins D6/406.3
D887,165 S * 6/2020 Sullins D6/406.3

* cited by examiner

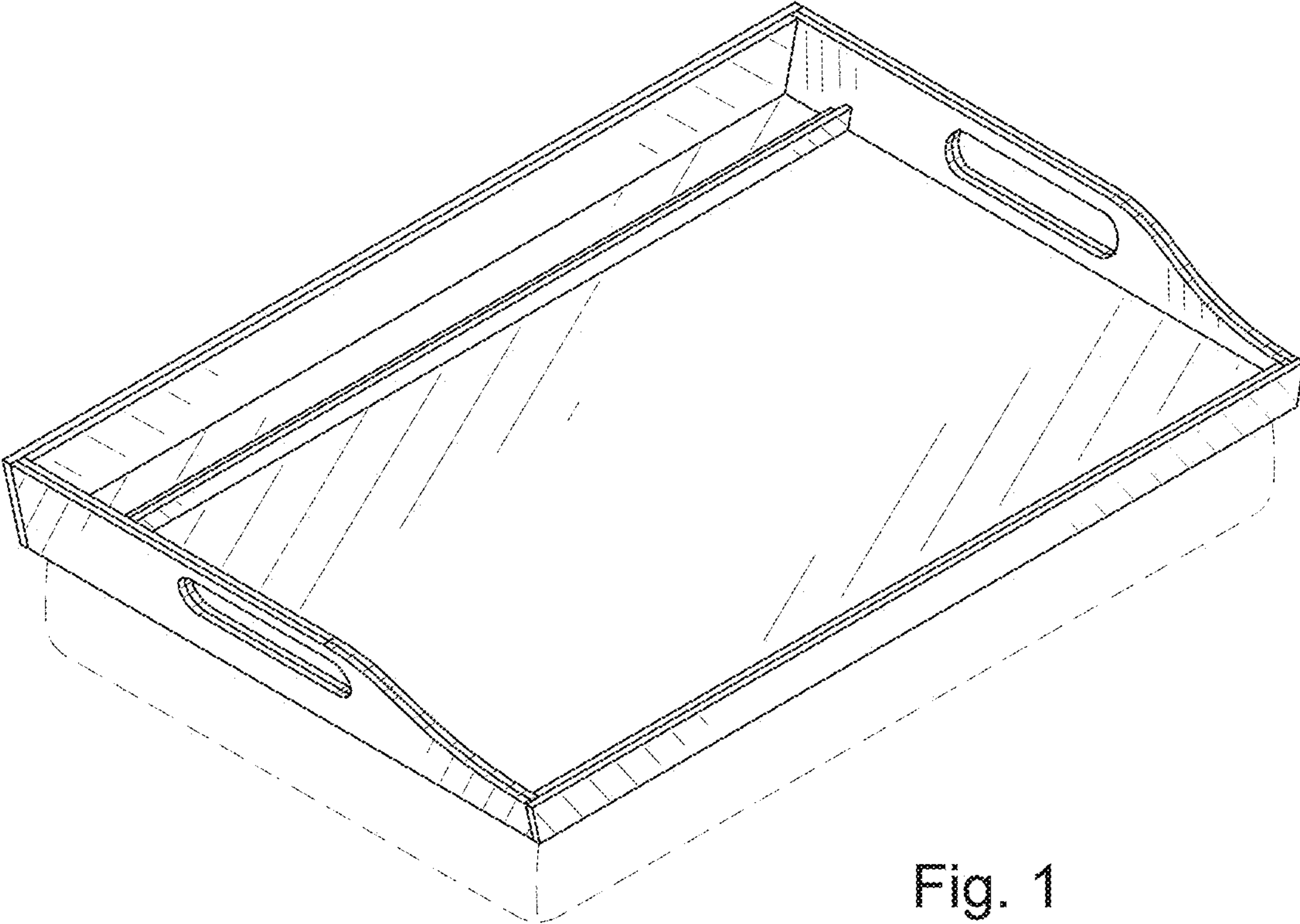


Fig. 1

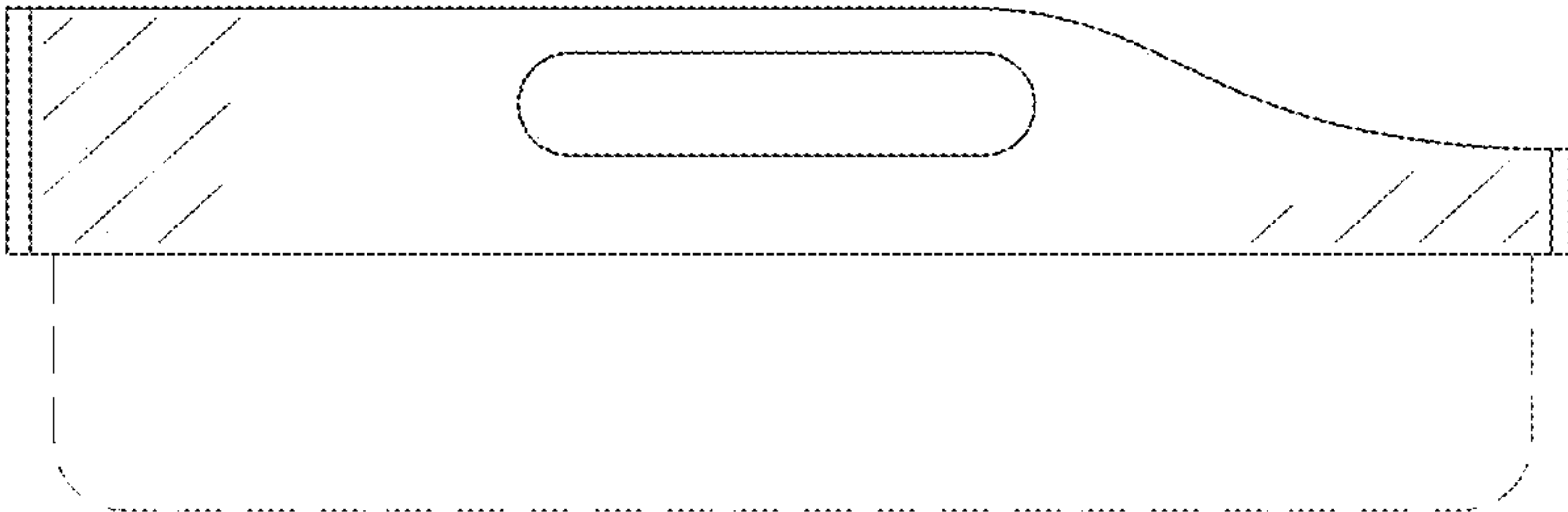


Fig. 2

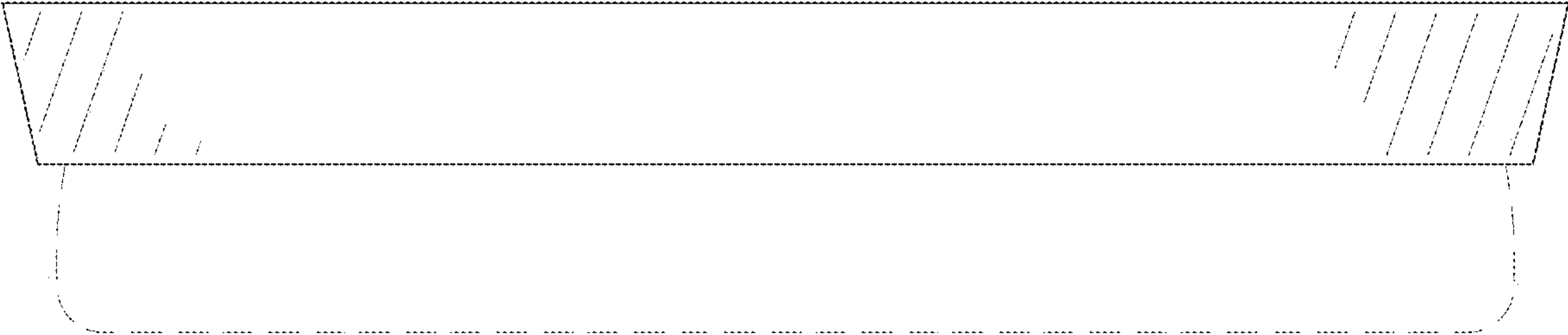


Fig. 3

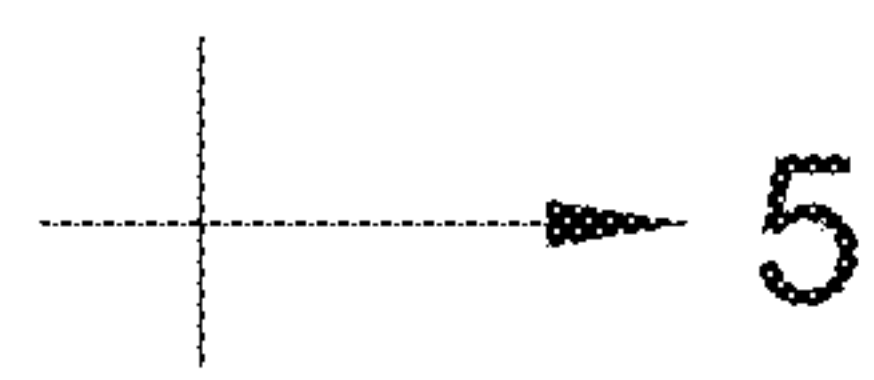
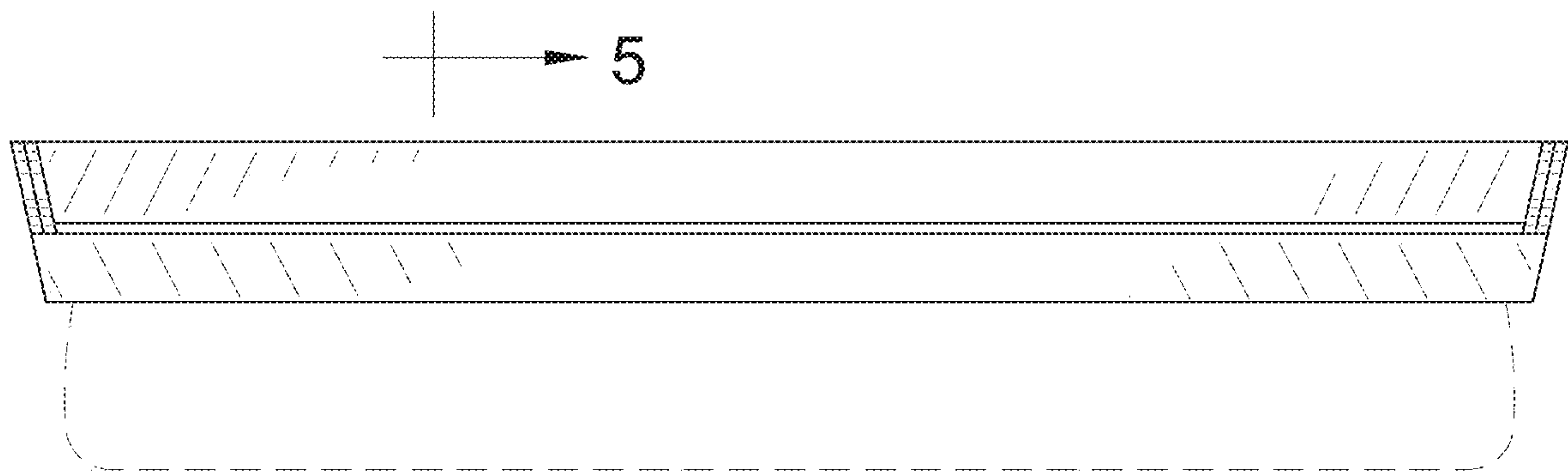


Fig. 4

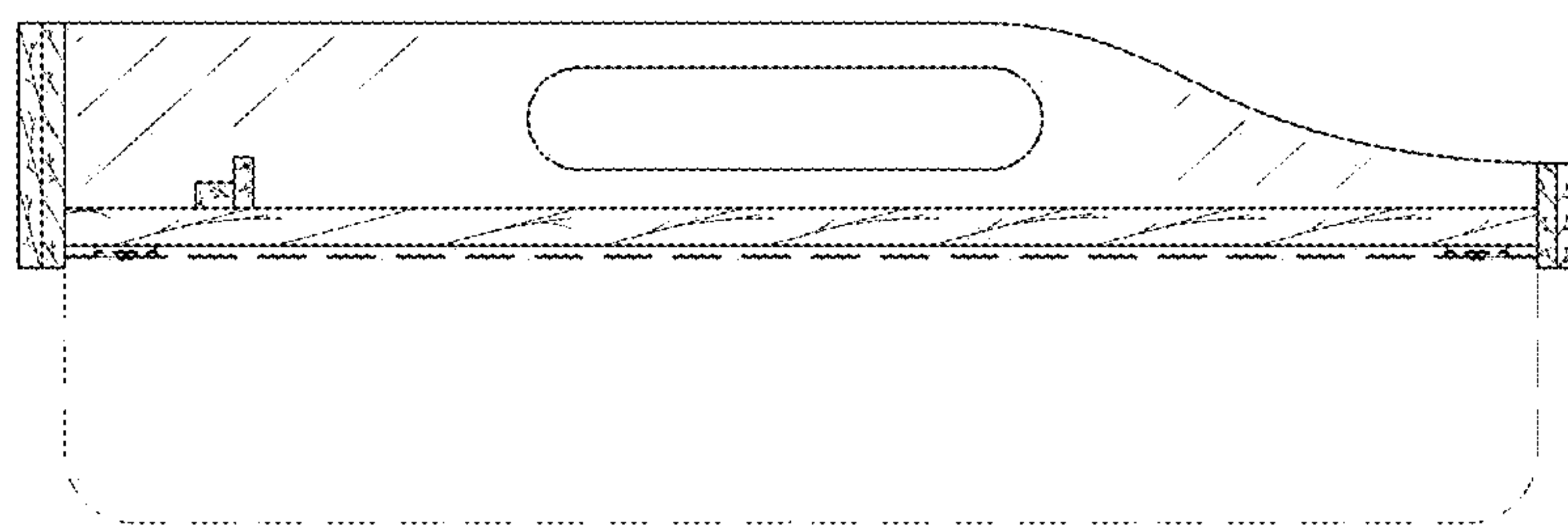


Fig. 5

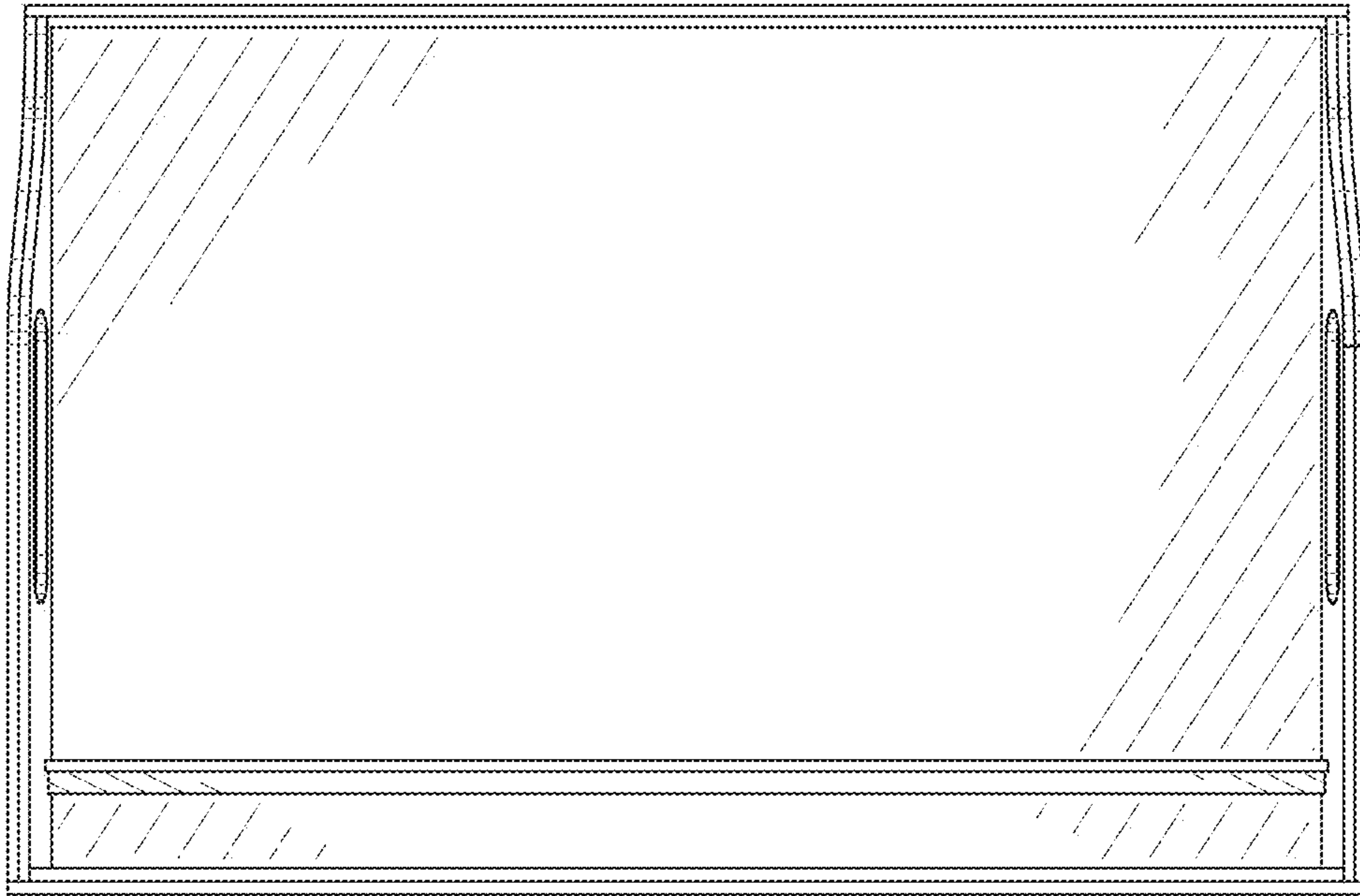


Fig. 6

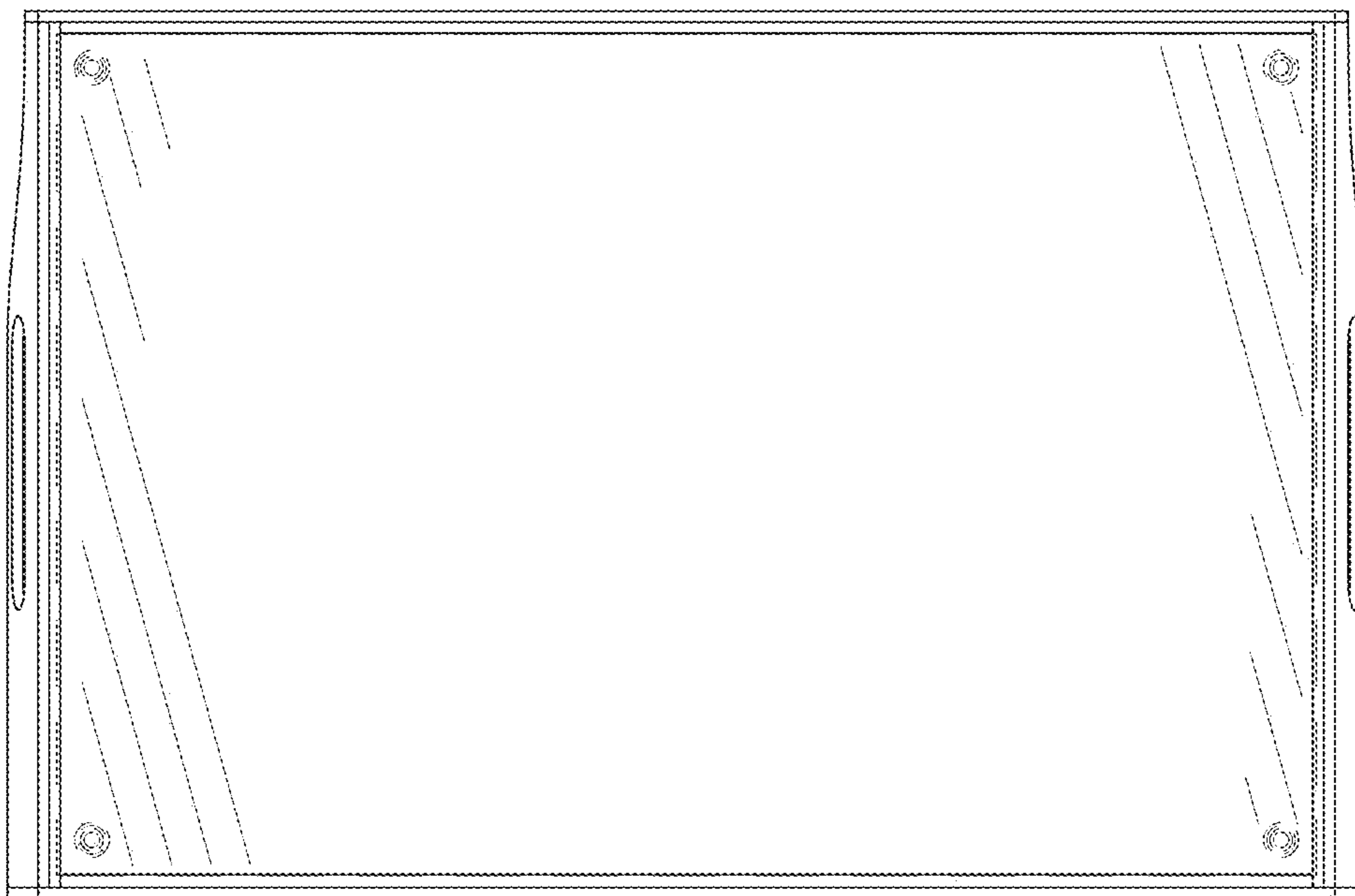


Fig. 7