



US00D905462S

(12) **United States Design Patent**
Jeidel et al.

(10) **Patent No.:** **US D905,462 S**

(45) **Date of Patent:** **** Dec. 22, 2020**

(54) **COMBINED BASSINET AND SIDE-SLEEPER**

(71) Applicant: **Milliard Enterprises Limited Liability Company**, Lakewood, NJ (US)

(72) Inventors: **Rivka Jeidel**, Jackson, NJ (US);
Simcha Bunim Newmark, Lakewood, NJ (US)

(73) Assignee: **Milliard Enterprises Limited Liability Company**, Lakewood, NJ (US)

(**) Term: **15 Years**

(21) Appl. No.: **29/688,441**

(22) Filed: **Apr. 22, 2019**

(51) **LOC (12) Cl.** **06-02**

(52) **U.S. Cl.**

USPC **D6/391**

(58) **Field of Classification Search**

USPC D6/331, 390, 391, 718.26

CPC A47D 7/00; A47D 7/002; A47D 7/005;

A47D 7/01; A47D 7/02; A47D 7/03;

A47D 9/00; A47D 9/005; A47D 13/06;

A47D 13/061; A47D 13/063; A47D

13/066; A47D 13/068

See application file for complete search history.

(56) **References Cited**

U.S. PATENT DOCUMENTS

D593,339 S * 6/2009 Tomasi D23/278

D804,217 S * 12/2017 Festa D6/391

9,986,849 B2 * 6/2018 Sclare A47D 9/00

D877,527 S * 3/2020 Gopaul D6/390

2016/0374481 A1 * 12/2016 Sclare A47D 5/00

5/93.2

2018/0192784 A1 * 7/2018 Yang A47D 7/01

2020/0046141 A1 * 2/2020 Mu A47D 7/005

OTHER PUBLICATIONS

Milliard Side Sleeper Bedside Bassinet, amazon.com, review date of Apr. 4, 2019, site accessed on May 8, 2020, available online at <https://www.amazon.com/Milliard-Co-Sleeper-Bassinet-Gray/dp/B07G7CM9GB> (Year: 2019).*

* cited by examiner

Primary Examiner — Cathron C Brooks

(74) *Attorney, Agent, or Firm* — William G. Heedy; The Van Winkle Law Firm

(57) **CLAIM**

The ornamental design for a combined bassinet and side-sleeper, as shown and described.

DESCRIPTION

FIG. 1 is a perspective view of a combined bassinet and side-sleeper, showing our new design;

FIG. 2 is a front elevational view thereof;

FIG. 3 is a rear elevational view thereof;

FIG. 4 is a right side elevational view thereof;

FIG. 5 is a left side elevational view thereof;

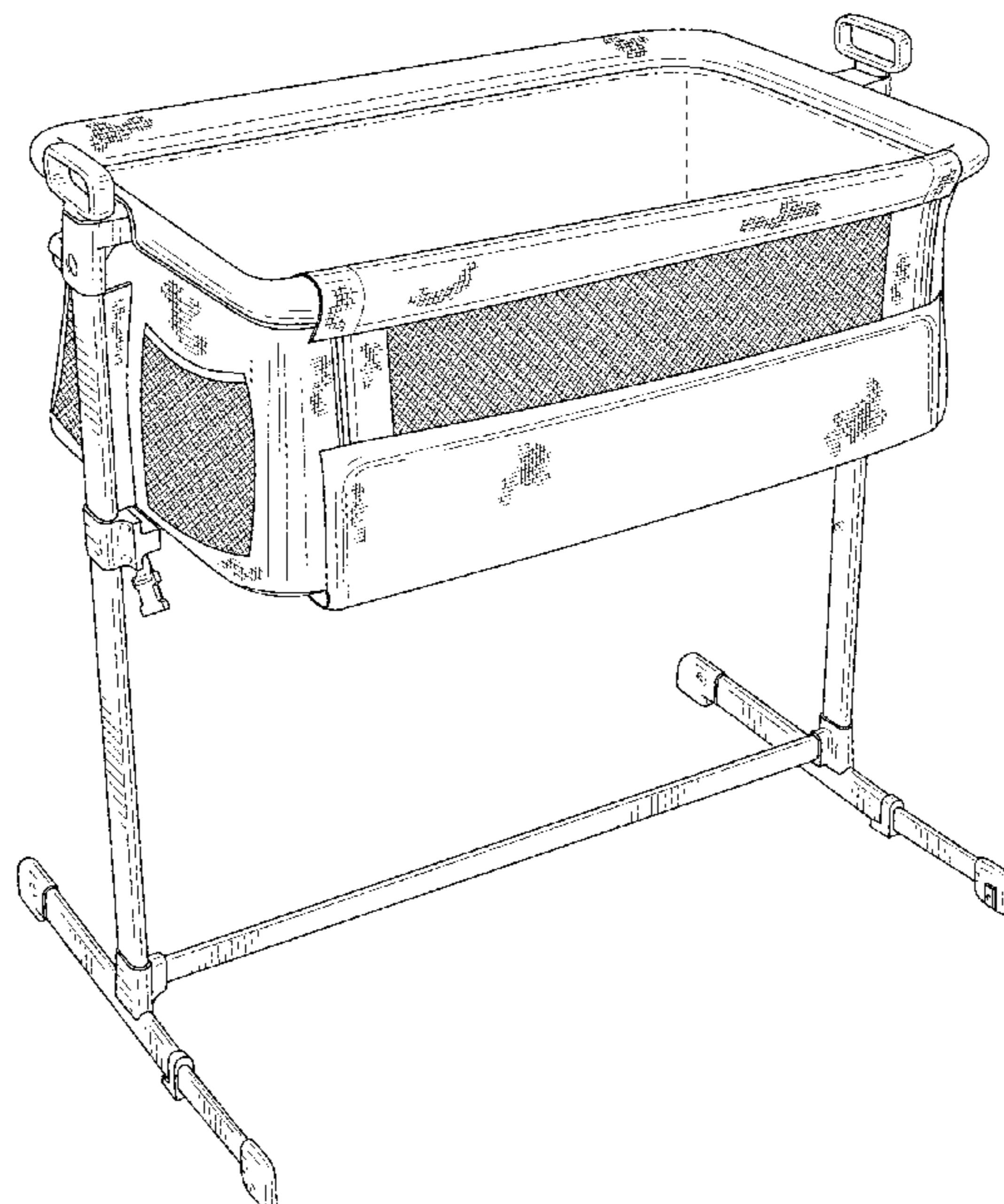
FIG. 6 is a top plan view thereof;

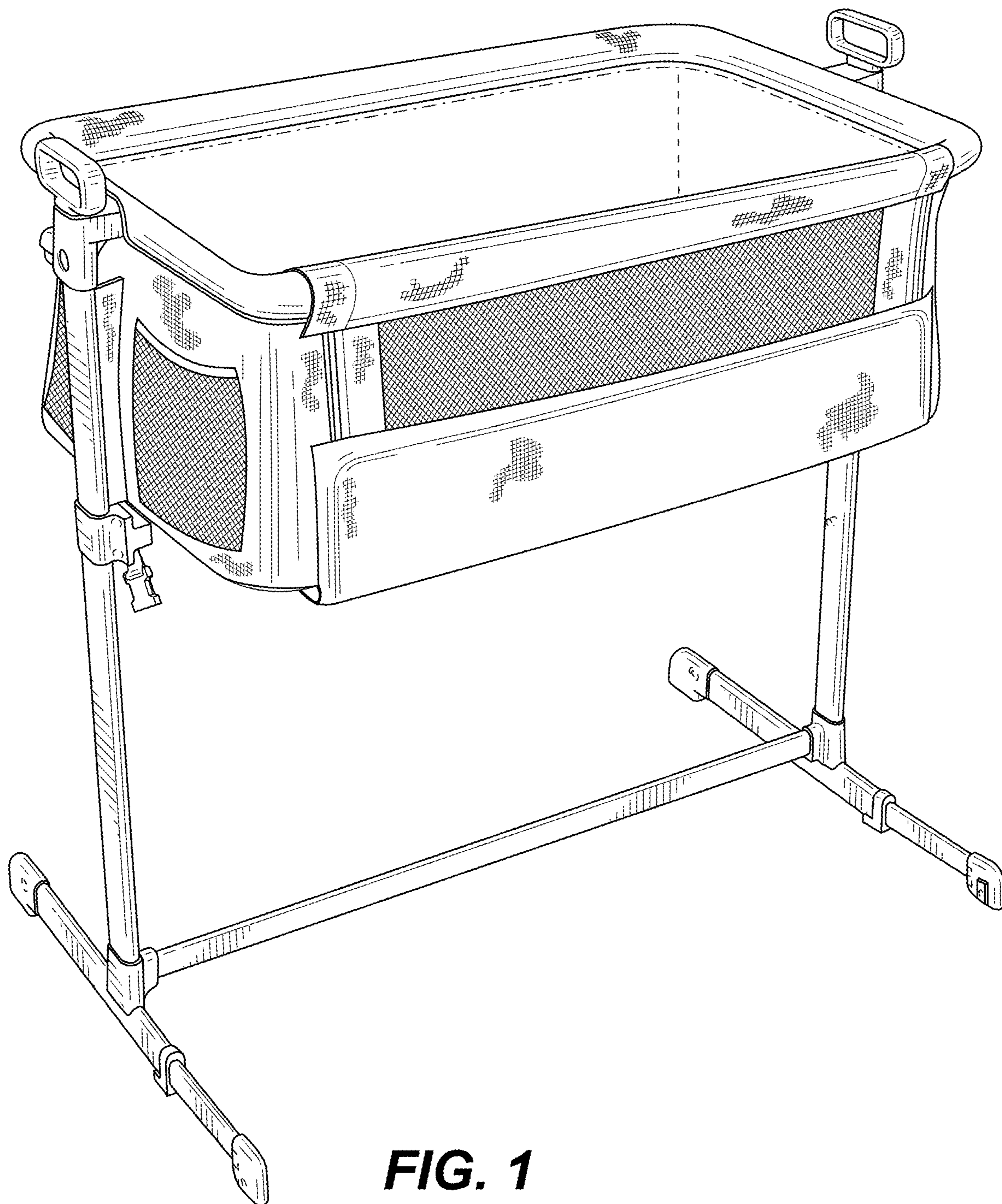
FIG. 7 is a bottom plan view thereof; and,

FIG. 8 is another perspective view thereof, but shown in an alternate position of use.

The evenly spaced broken lines in the drawings illustrate portions of the combined bassinet and side-sleeper. The dash dot dash broken lines in the drawings illustrate boundary lines. None of the broken lines form part of the claimed design.

1 Claim, 8 Drawing Sheets





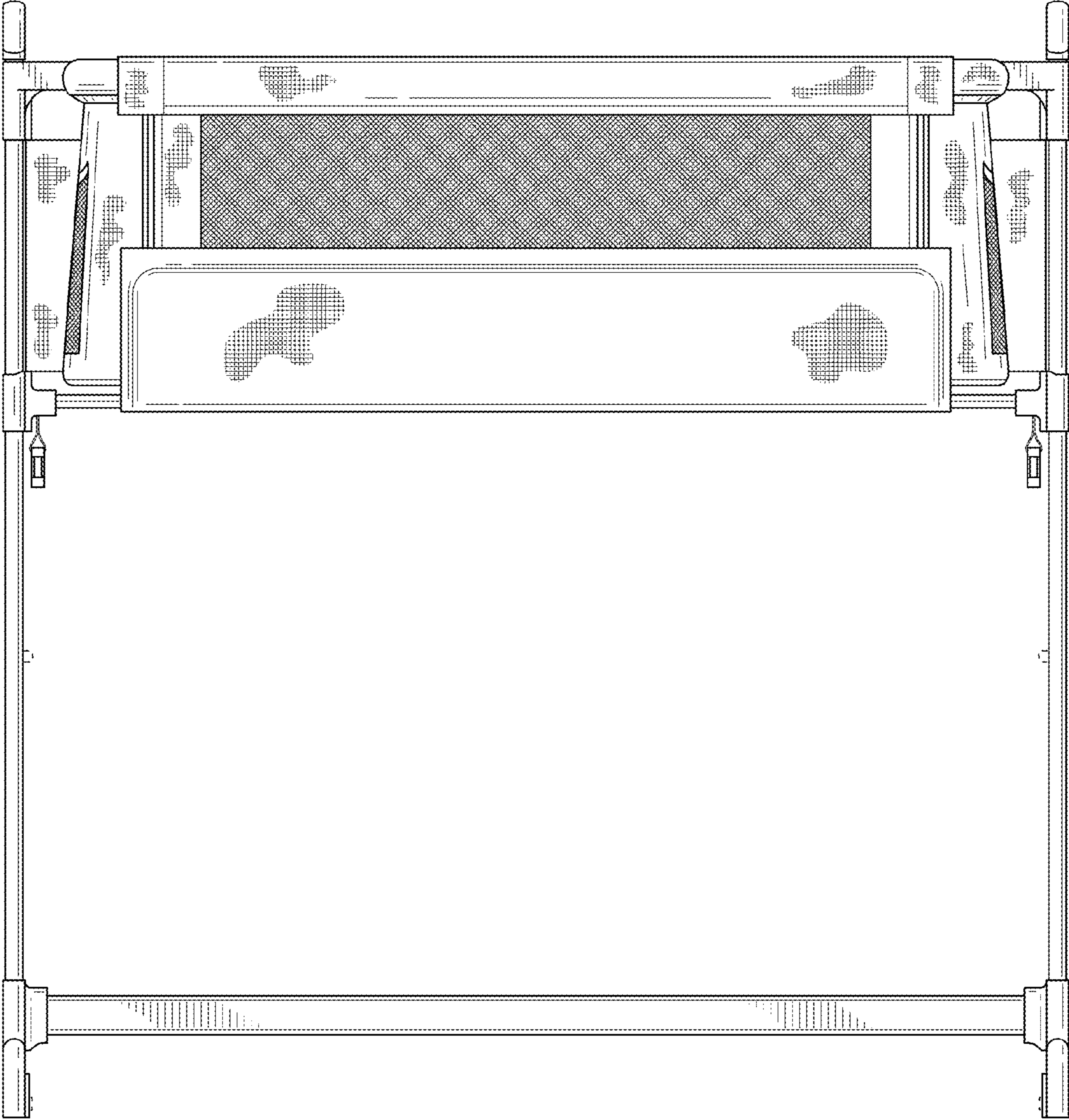


FIG. 2

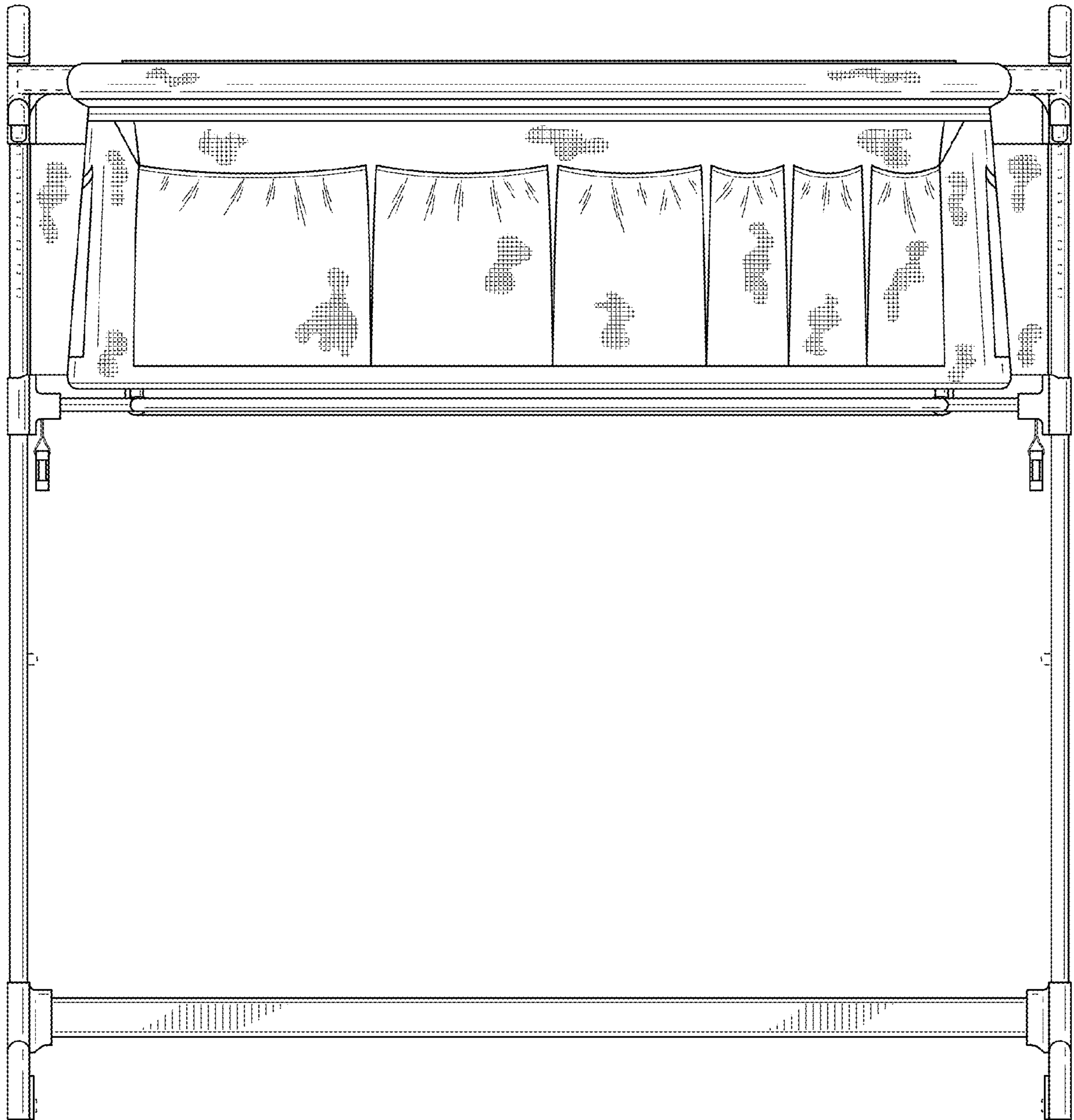


FIG. 3

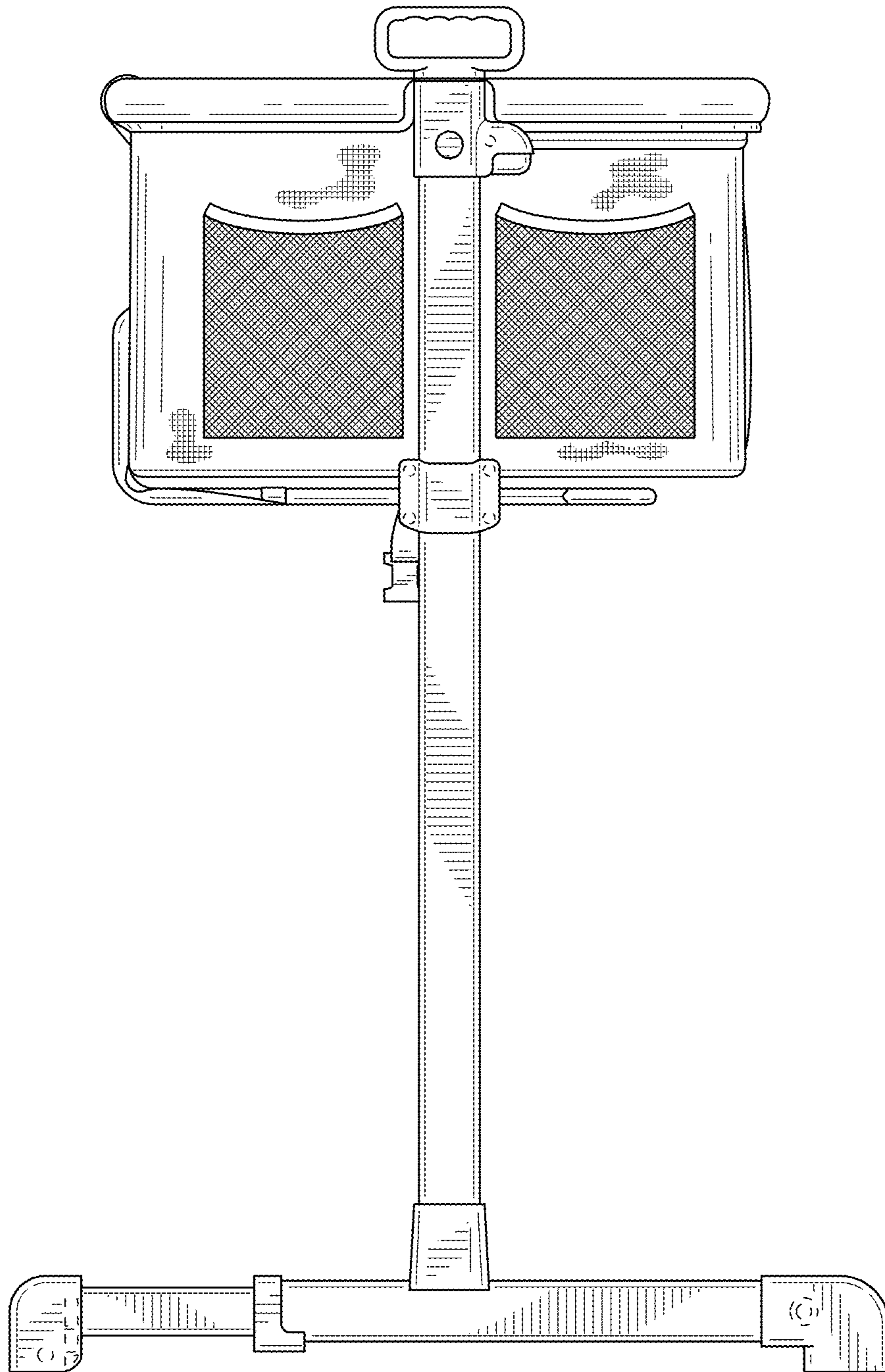


FIG. 4

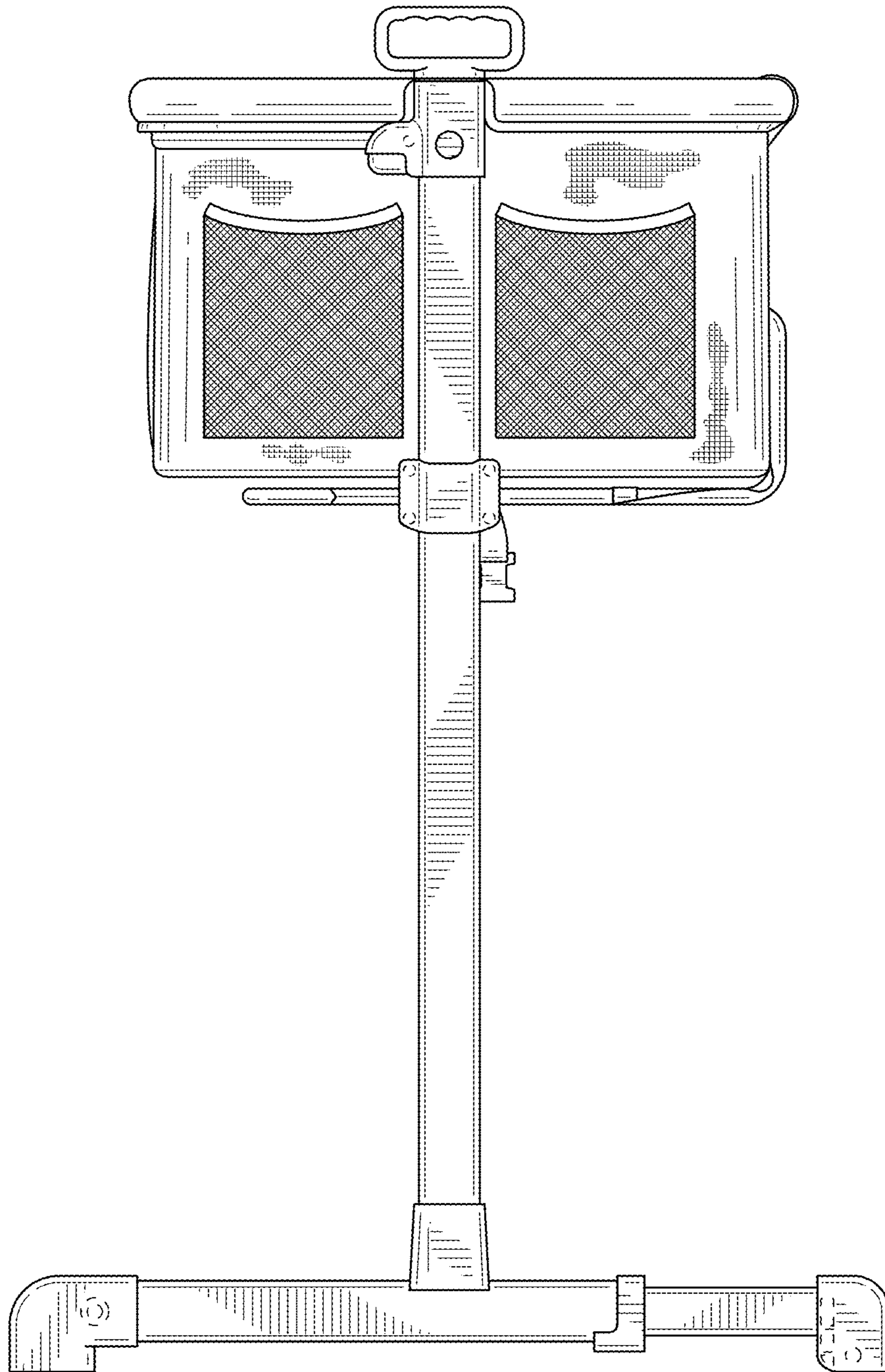


FIG. 5

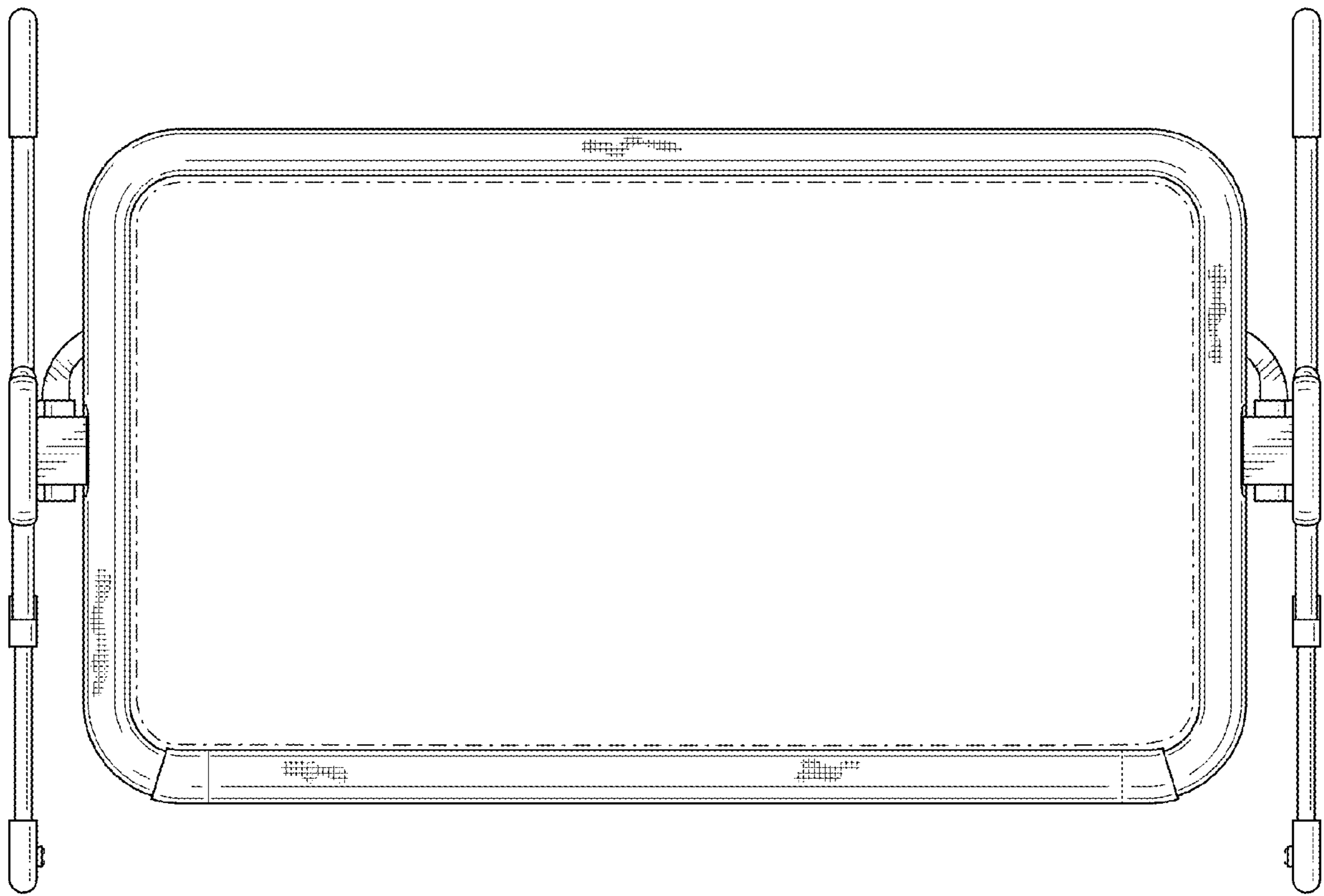


FIG. 6

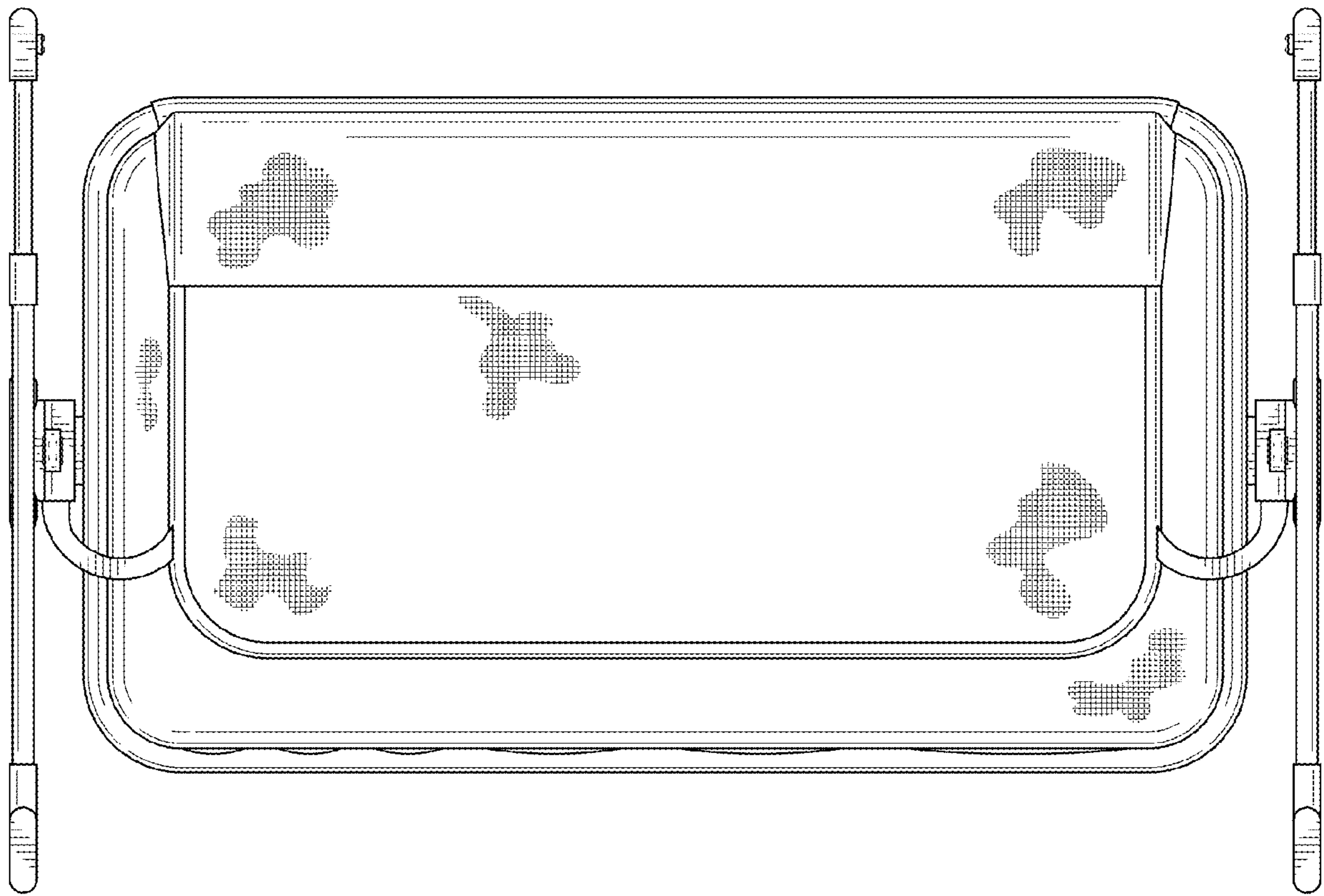


FIG. 7

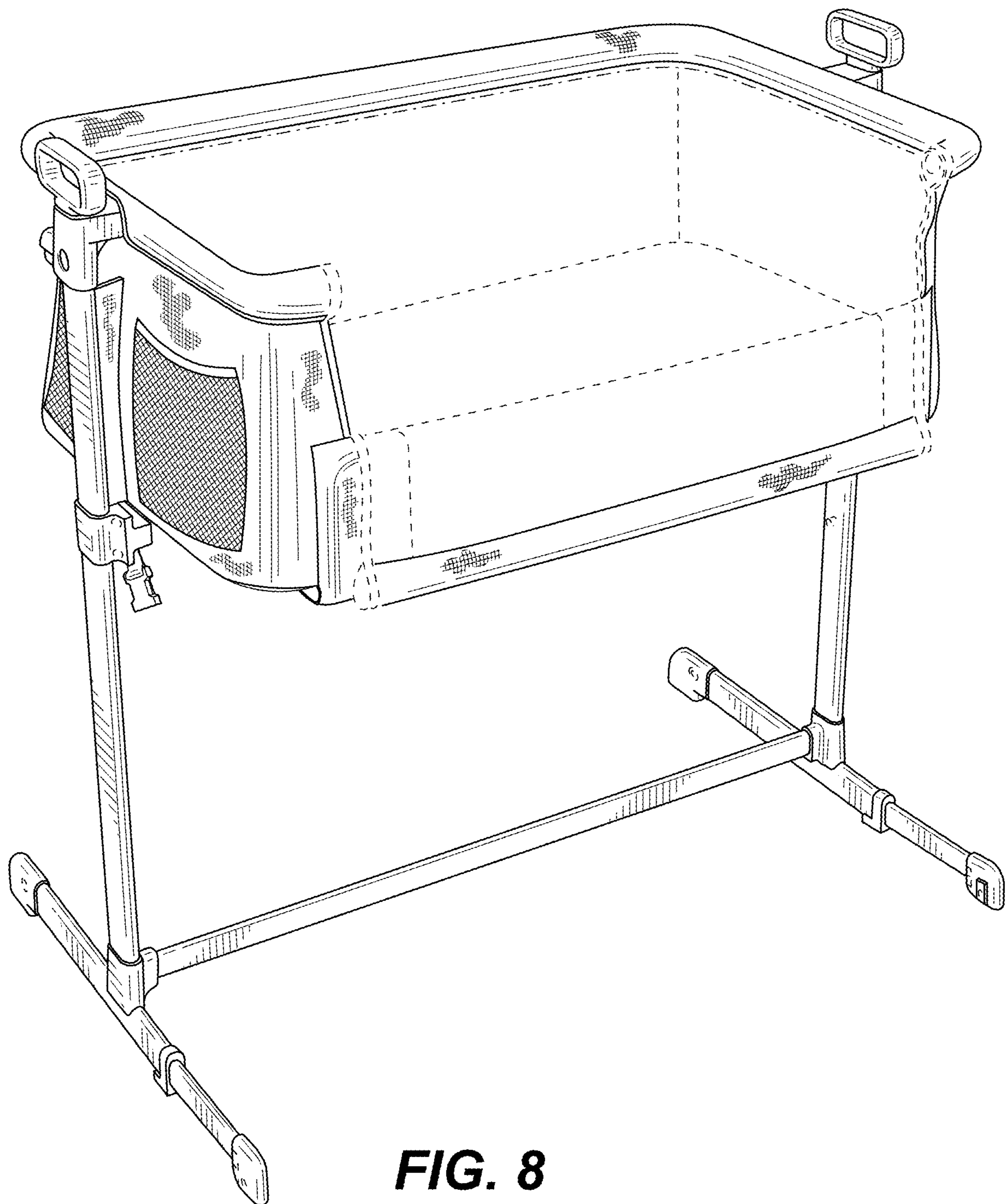


FIG. 8