



US00D905461S

(12) **United States Design Patent**
Adair et al.

(10) **Patent No.:** **US D905,461 S**
(45) **Date of Patent:** **** Dec. 22, 2020**

- (54) **SOFA**
- (71) Applicant: **Ashley Furniture Industries, Inc.**,
Arcadia, WI (US)
- (72) Inventors: **Lisa Adair**, New Albany, MS (US);
Christie Lamb, Saltillo, MS (US)
- (73) Assignee: **Ashley Furniture Industries, Inc.**,
Arcadia, WI (US)
- (**) Term: **15 Years**
- (21) Appl. No.: **29/707,716**
- (22) Filed: **Sep. 30, 2019**
- (51) **LOC (12) Cl.** **06-01**
- (52) **U.S. Cl.**
USPC **D6/381**
- (58) **Field of Classification Search**
USPC D6/334, 369, 371, 374, 375, 381
CPC A47C 7/18; A47C 17/00; A47C 17/02;
A47C 17/86
See application file for complete search history.

D483,196 S *	12/2003	Ricci	D6/334
D490,623 S *	6/2004	Smith	D6/381
D495,159 S *	8/2004	Ricci	D6/334
D495,897 S *	9/2004	Ricci	D6/334
D528,321 S *	9/2006	Adair	D6/381
D536,900 S *	2/2007	Adair	D6/381
D552,860 S *	10/2007	Ricci	D6/334
D562,023 S *	2/2008	Lamb	D6/381
D567,529 S *	4/2008	Lamb	D6/381
D737,592 S *	9/2015	Adair	D6/381
D737,593 S *	9/2015	Adair	D6/381
D793,759 S *	8/2017	Adair	D6/381
D811,146 S *	2/2018	Adair	D6/717

* cited by examiner

Primary Examiner — Cathron C Brooks
(74) *Attorney, Agent, or Firm* — McAndrews, Held & Malloy, Ltd.

(57) **CLAIM**

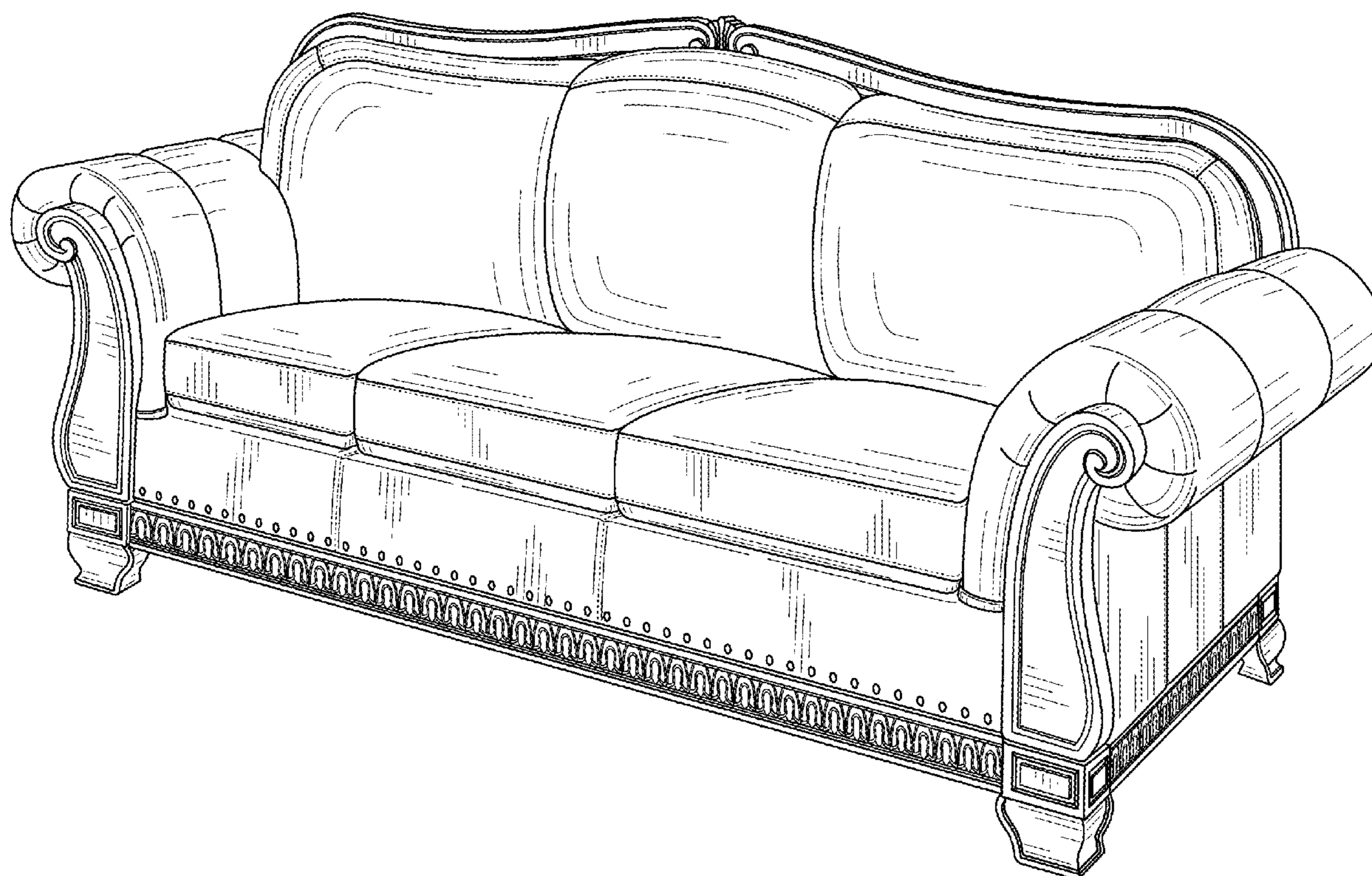
The ornamental design for a sofa, as shown and described.

DESCRIPTION

FIG. 1 is a front perspective view of a sofa showing our new design;
FIG. 2 is a front elevation view thereof;
FIG. 3 is a right side elevation view thereof;
FIG. 4 is a left side elevation view thereof; and,
FIG. 5 is a top plan view thereof.
Views of the sofa not shown in the figures form no part of the claimed design.

1 Claim, 4 Drawing Sheets

- (56) **References Cited**
U.S. PATENT DOCUMENTS
D428,725 S * 8/2000 Lee D6/381
D455,023 S * 4/2002 Lee D6/381
D459,607 S * 7/2002 Gibson D6/381



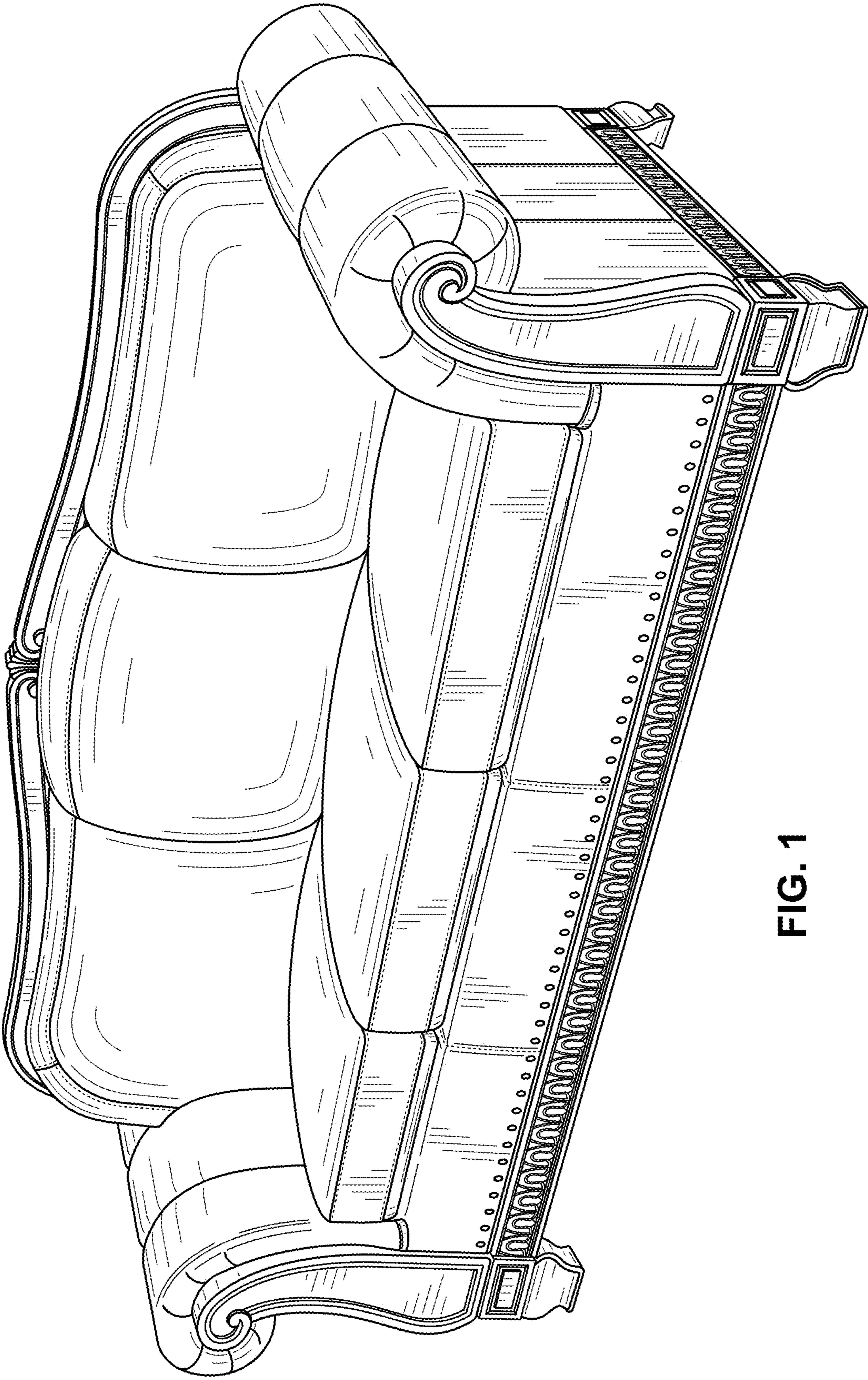


FIG. 1

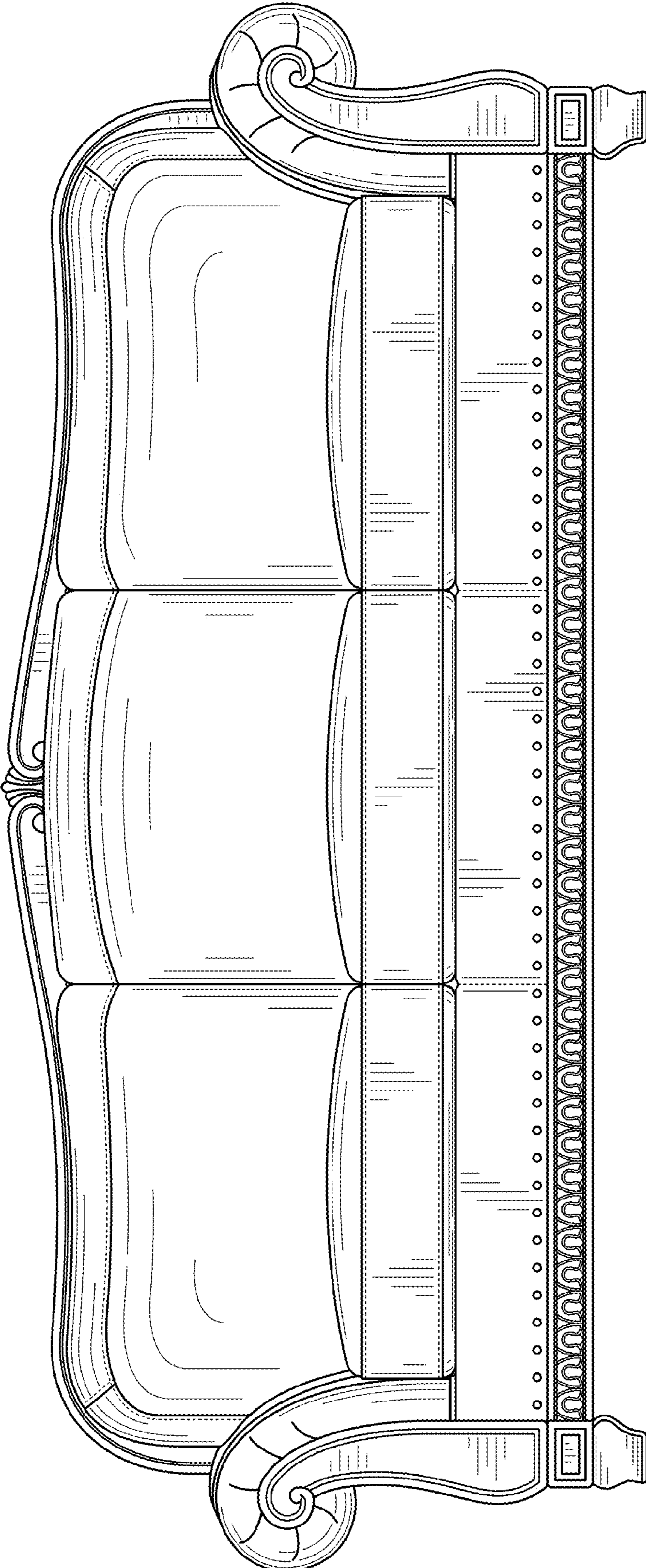


FIG. 2

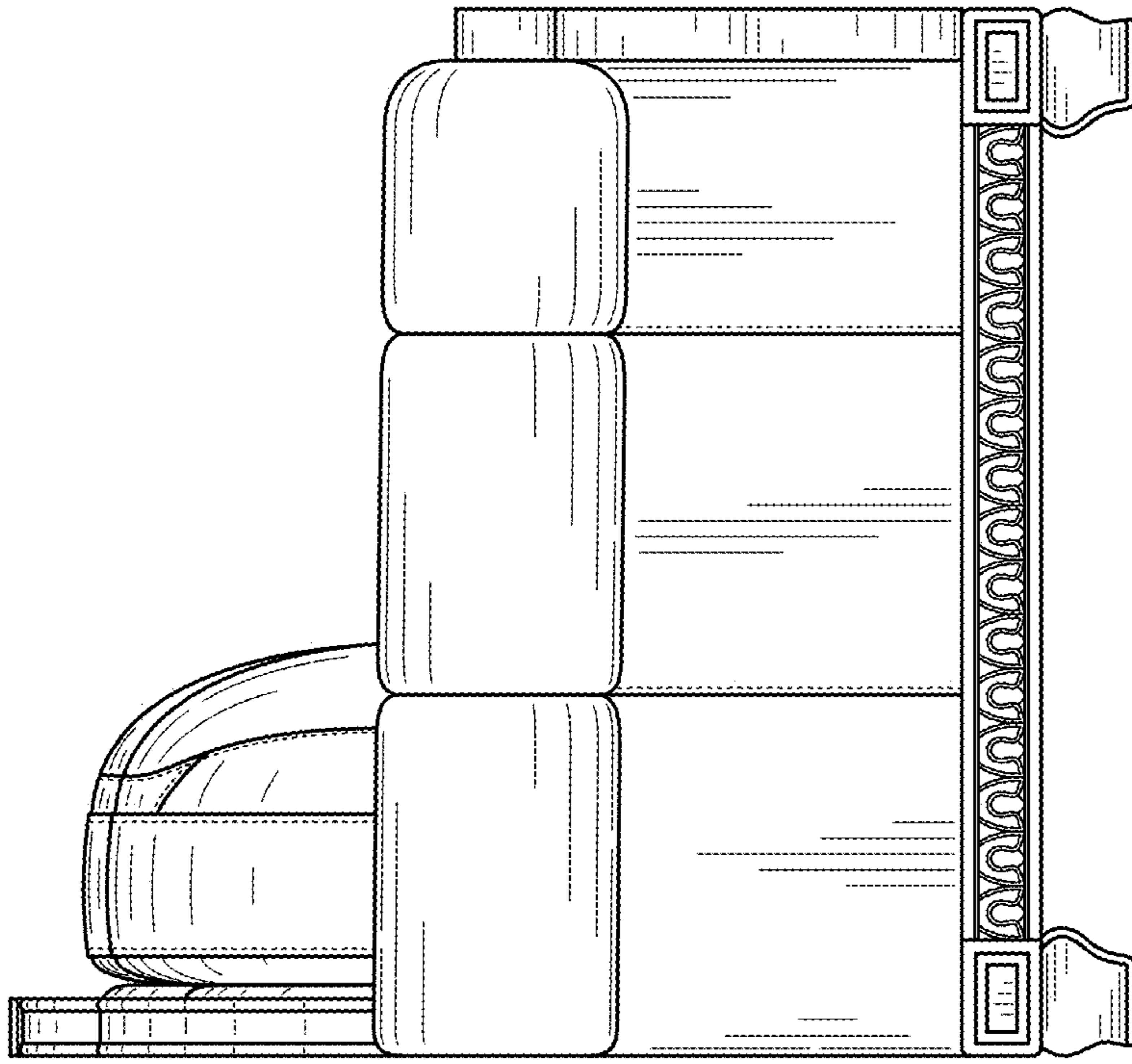


FIG. 3

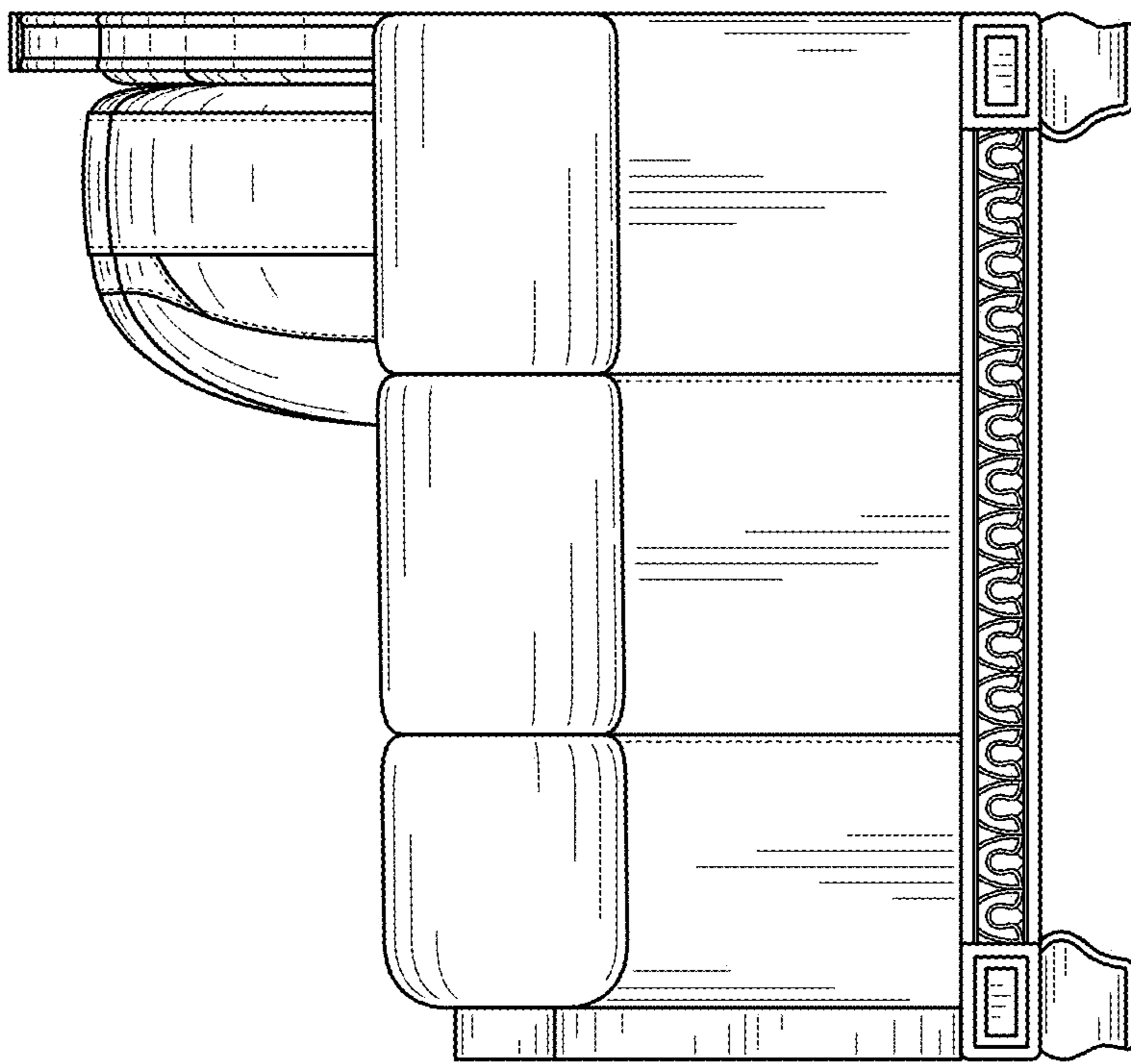


FIG. 4

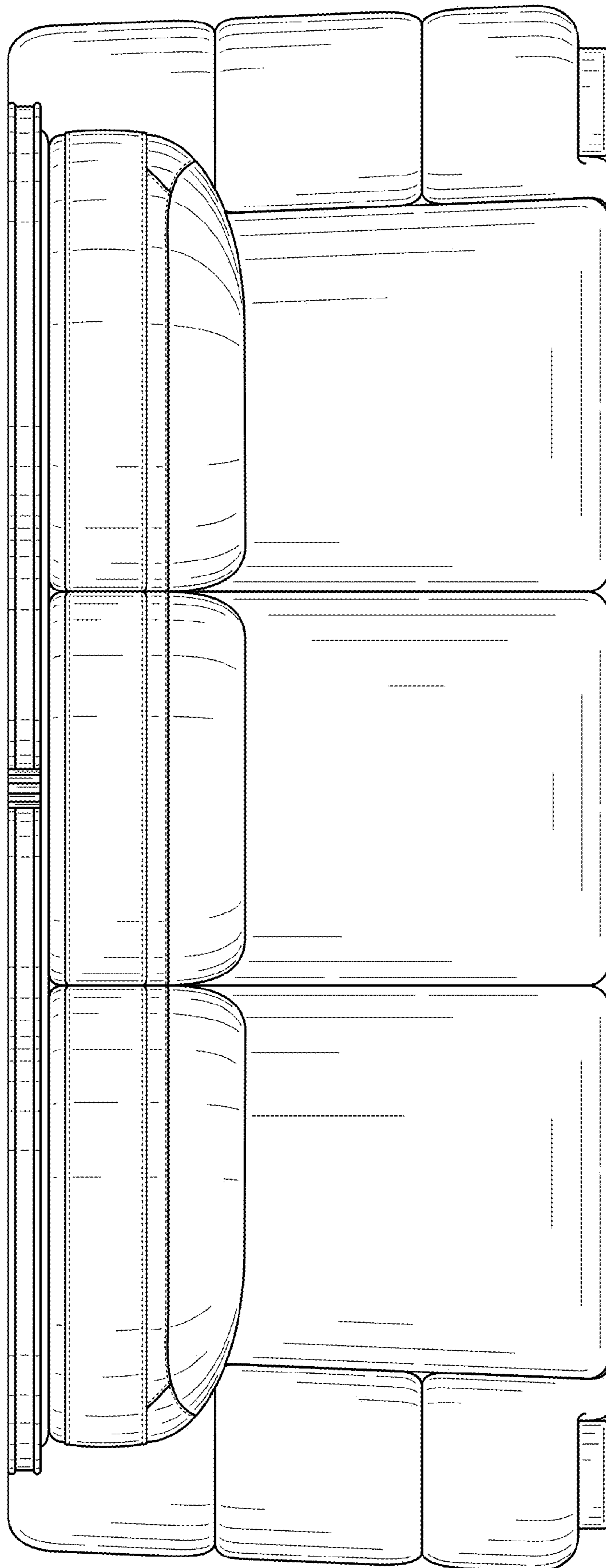


FIG. 5