



US00D905455S

(12) **United States Design Patent** (10) **Patent No.:** **US D905,455 S**
Fletcher et al. (45) **Date of Patent:** **** Dec. 22, 2020**

(54) **ACTIVE SEAT WITH DESK**
(71) Applicant: **The Prophet Corporation**, Owatonna, MN (US)

D234,933 S 4/1975 Burke
5,226,865 A 7/1993 Chin
5,630,648 A * 5/1997 Allard A47C 9/025
297/327

(Continued)

(72) Inventors: **Laura Ann Fletcher**, Owatonna, MN (US); **Ryan William Rasell**, Apple Valley, MN (US)

FOREIGN PATENT DOCUMENTS

JP 8-112155 A 5/1995

(73) Assignee: **THE PROPHET CORPORATION**, Owatonna, MN (US)

OTHER PUBLICATIONS

Plastic Round Stools, Retrieved May 2, 2018 from URL: <<http://www.umaplastics.com/plastic-round-stools.html>>, 5 pages.

(Continued)

(**) Term: **15 Years**

Primary Examiner — Cathron C Brooks

(21) Appl. No.: **29/693,678**

(74) *Attorney, Agent, or Firm* — Merchant & Gould P.C.

(22) Filed: **Jun. 4, 2019**

(51) **LOC (12) Cl.** **06-01**

(57) **CLAIM**

(52) **U.S. Cl.**
USPC **D6/340; D6/338**

The ornamental design for an active seat with desk, as shown and described.

(58) **Field of Classification Search**
USPC D6/334, 335, 336, 338, 340, 354, 360;
D21/686

DESCRIPTION

CPC A47C 7/002; A47C 7/004; A47C 9/002;
A47C 9/005; A47C 9/025
See application file for complete search history.

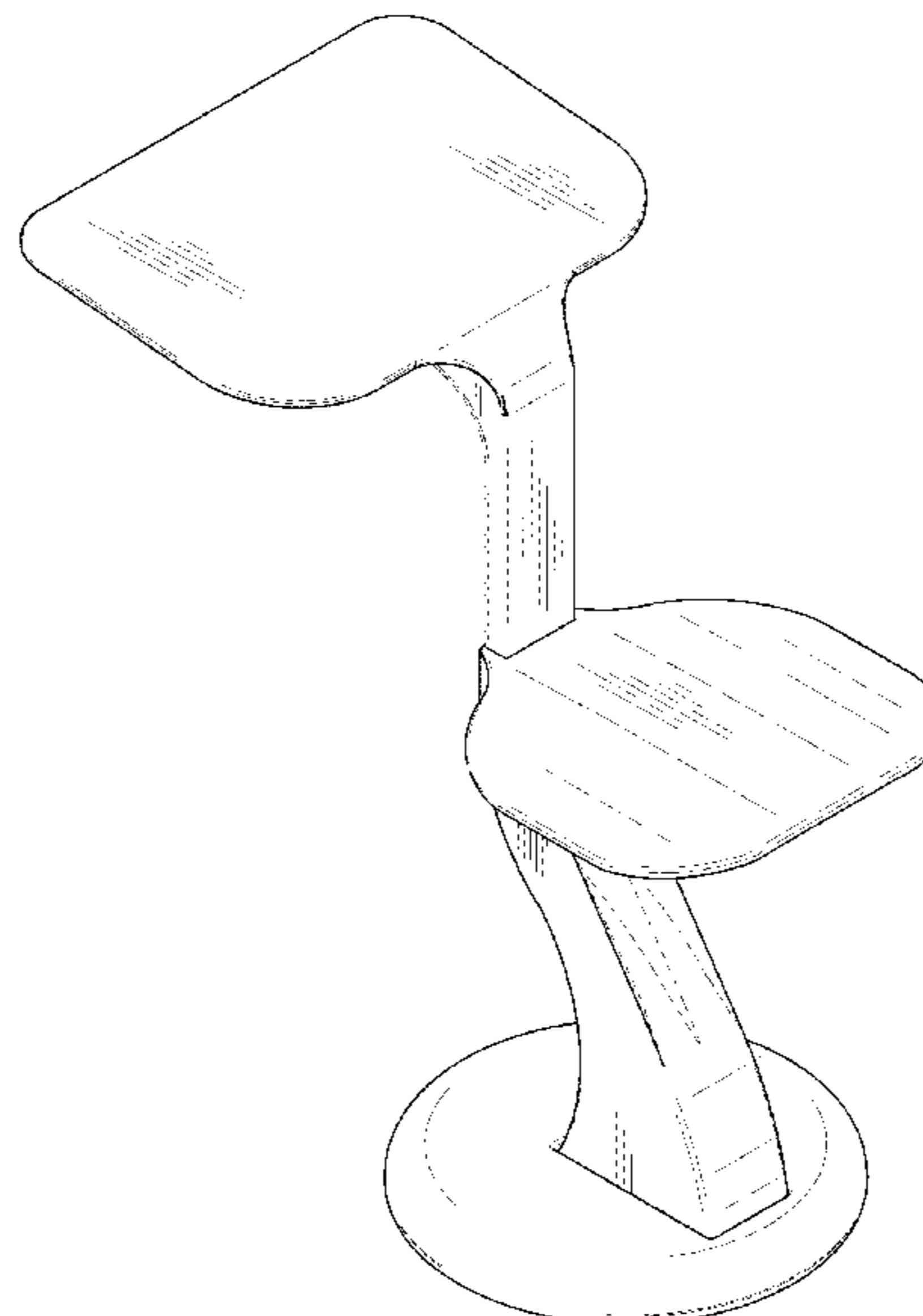
FIG. 1 is a top perspective view of an active seat with desk;
FIG. 2 is a bottom perspective view of the active seat with desk of FIG. 1;
FIG. 3 is a rear elevational view of the active seat with desk of FIG. 1;
FIG. 4 is a front elevational view of the active seat with desk of FIG. 1;
FIG. 5 is a first side elevational view of the active seat with desk of FIG. 1;
FIG. 6 is a second side elevational view of the active seat with desk of FIG. 1;
FIG. 7 is a top plan view of the active seat with desk of FIG. 1; and,
FIG. 8 is a bottom plan view of the active seat with desk of FIG. 1.
The broken lines in the drawings illustrate portions of the active seat with desk that form no part of the claim.

(56) **References Cited**

U.S. PATENT DOCUMENTS

134,668 A 1/1873 Henrichs
2,637,371 A * 5/1953 Boutin A47C 5/06
297/294
2,702,584 A * 2/1955 Williams A47C 7/42
297/124
2,988,358 A 6/1961 Mills
D198,679 S 7/1964 Cartner
3,563,605 A 2/1971 Pinkas
3,604,749 A 9/1971 Parmett et al.
D228,095 S 8/1973 Schmitt
D232,499 S 8/1974 Martinelli
D232,504 S 8/1974 Archinal

1 Claim, 8 Drawing Sheets



(56)

References Cited

U.S. PATENT DOCUMENTS

5,782,532 A * 7/1998 Opsvik A47C 3/20
 297/338
 D398,452 S * 9/1998 Reddig D6/338
 D441,209 S * 5/2001 Hagstrom D6/360
 D459,100 S * 6/2002 Davidson D6/367
 D498,067 S 11/2004 Van Dyke
 D530,106 S * 10/2006 Van Erum A47C 5/06
 D6/338
 D579,221 S * 10/2008 De Young D6/358
 D586,574 S 2/2009 Gomree
 D605,862 S * 12/2009 Weeks D6/338
 D625,931 S 10/2010 Estrup
 D647,313 S 10/2011 Chen
 D650,184 S 12/2011 Hsu
 D671,757 S 12/2012 Walker et al.
 D683,975 S * 6/2013 Starck A47C 7/42
 D6/349
 D685,585 S * 7/2013 Udagawa A47C 9/025
 D6/338
 D699,454 S * 2/2014 Starck A47C 3/20
 D6/349
 D728,951 S 5/2015 Yoshida
 D741,073 S * 10/2015 Keen D6/353
 9,167,899 B2 10/2015 Jackson

D742,655 S * 11/2015 Opsvik D6/333
 D751,306 S * 3/2016 Winningham D6/336
 D767,290 S 9/2016 Walser
 D791,523 S 7/2017 Bernard
 D809,309 S 2/2018 Theesfeld
 D809,310 S 2/2018 Mathur et al.
 D809,809 S 2/2018 Theesfeld et al.
 D812,919 S 3/2018 Kim
 D830,710 S 10/2018 Harguth et al.
 2010/0066139 A1 3/2010 Woodring
 2019/0098998 A1 4/2019 Harguth et al.

OTHER PUBLICATIONS

Play with a Purpose Catalog; Spring 2017; © 2017 Gopher Sport; 4 pages.

Thick plastic small round stools, home adult children bathroom stool, changing his shoes stool, Retrieved May 2, 2018 from URL: <<https://www.aliexpress.com/item/Thick-plastic-small-round-stools-home-adult-children-bathroom-stool-changing-his-shoes-stool/32507580751.html>>, 17 pages.

TiltED Active Seats, Retrieved May 2, 2018 from URL: https://www.gophersport.com/pe/active-classroom/tilted-active-seats?item=25259&pt_source=googleads&pt_medium=cpc&pt_campaign=Shopping_-_E2%80%A6, 2 pages.

* cited by examiner

FIG. 1

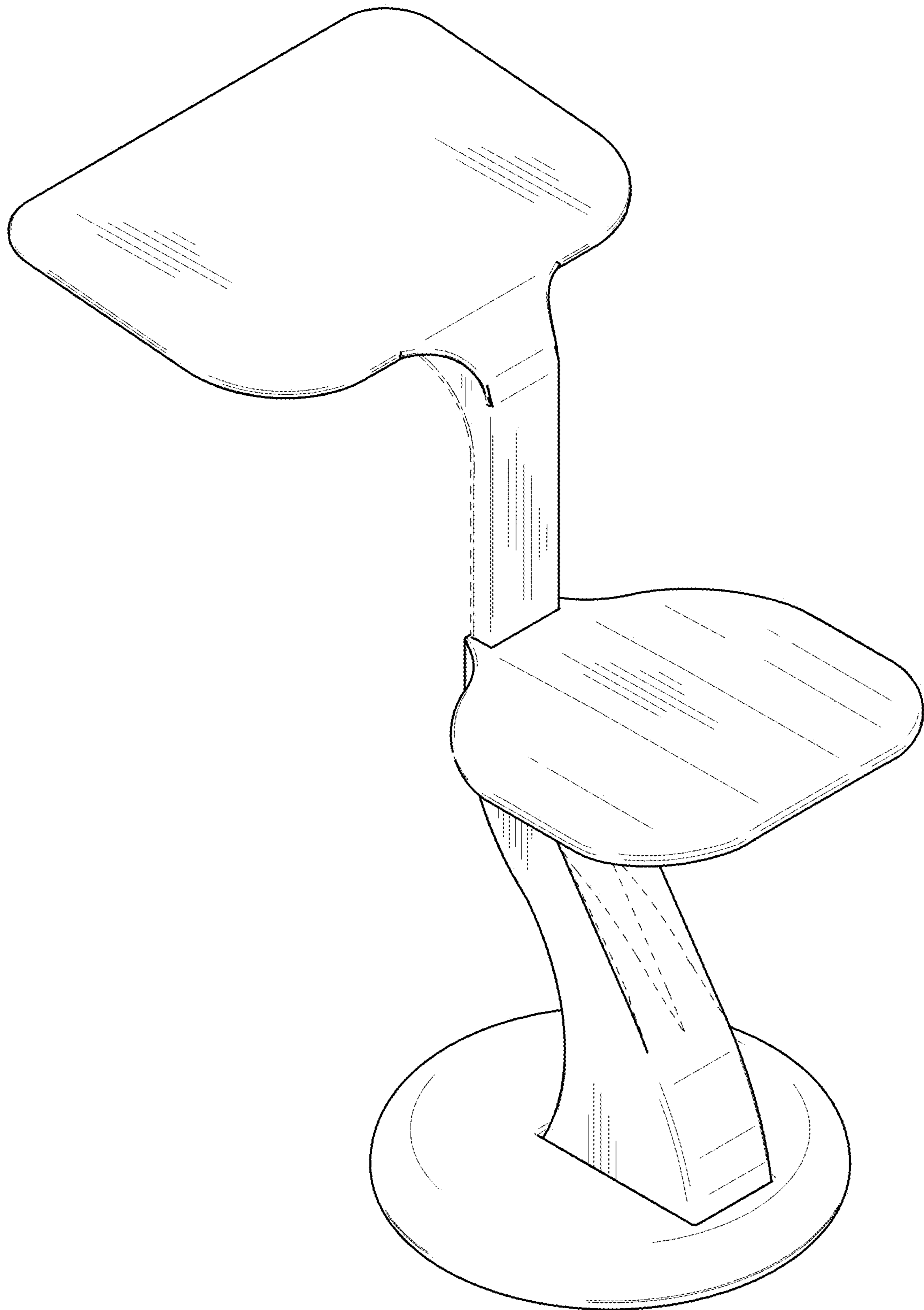


FIG. 2

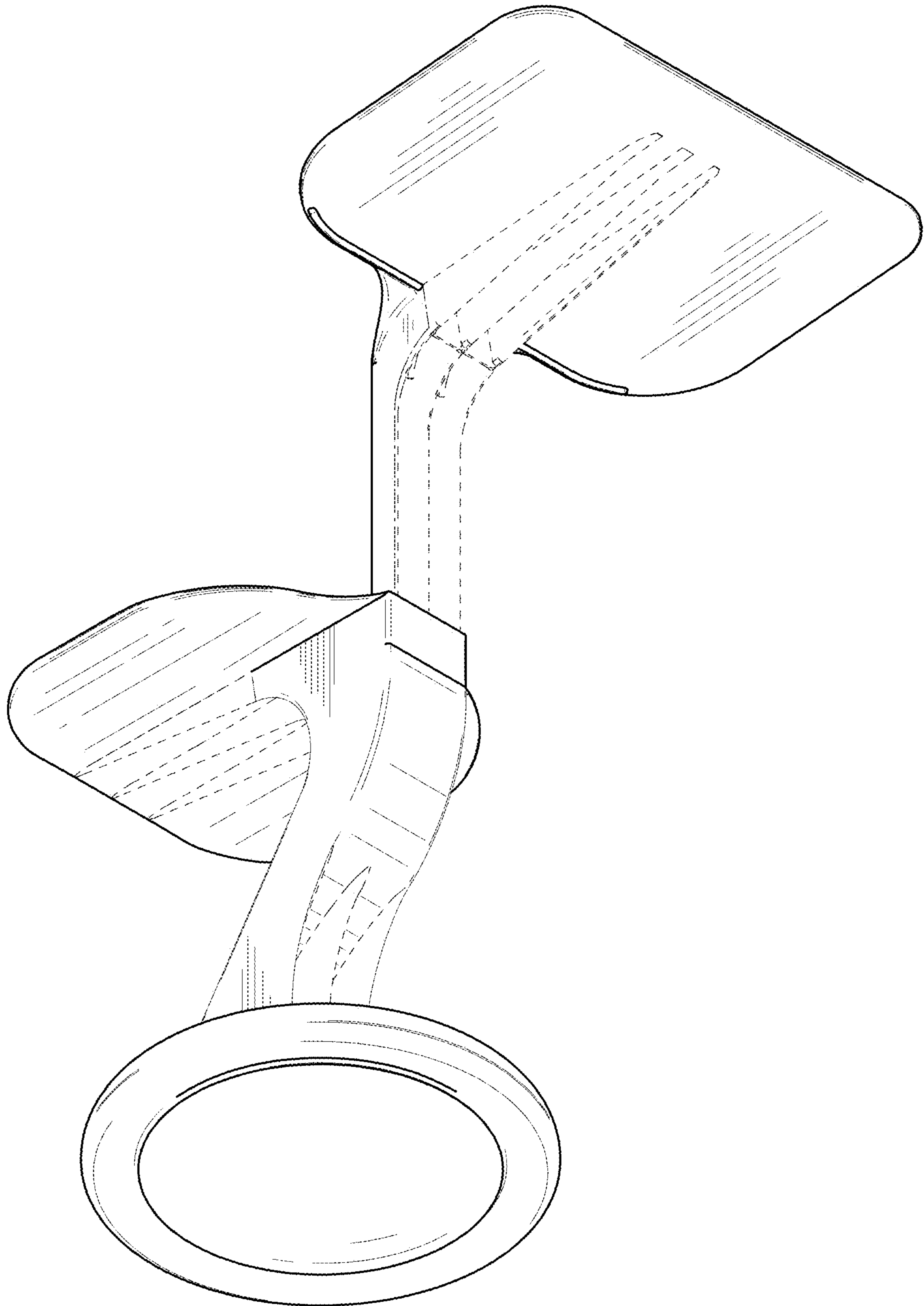


FIG. 3

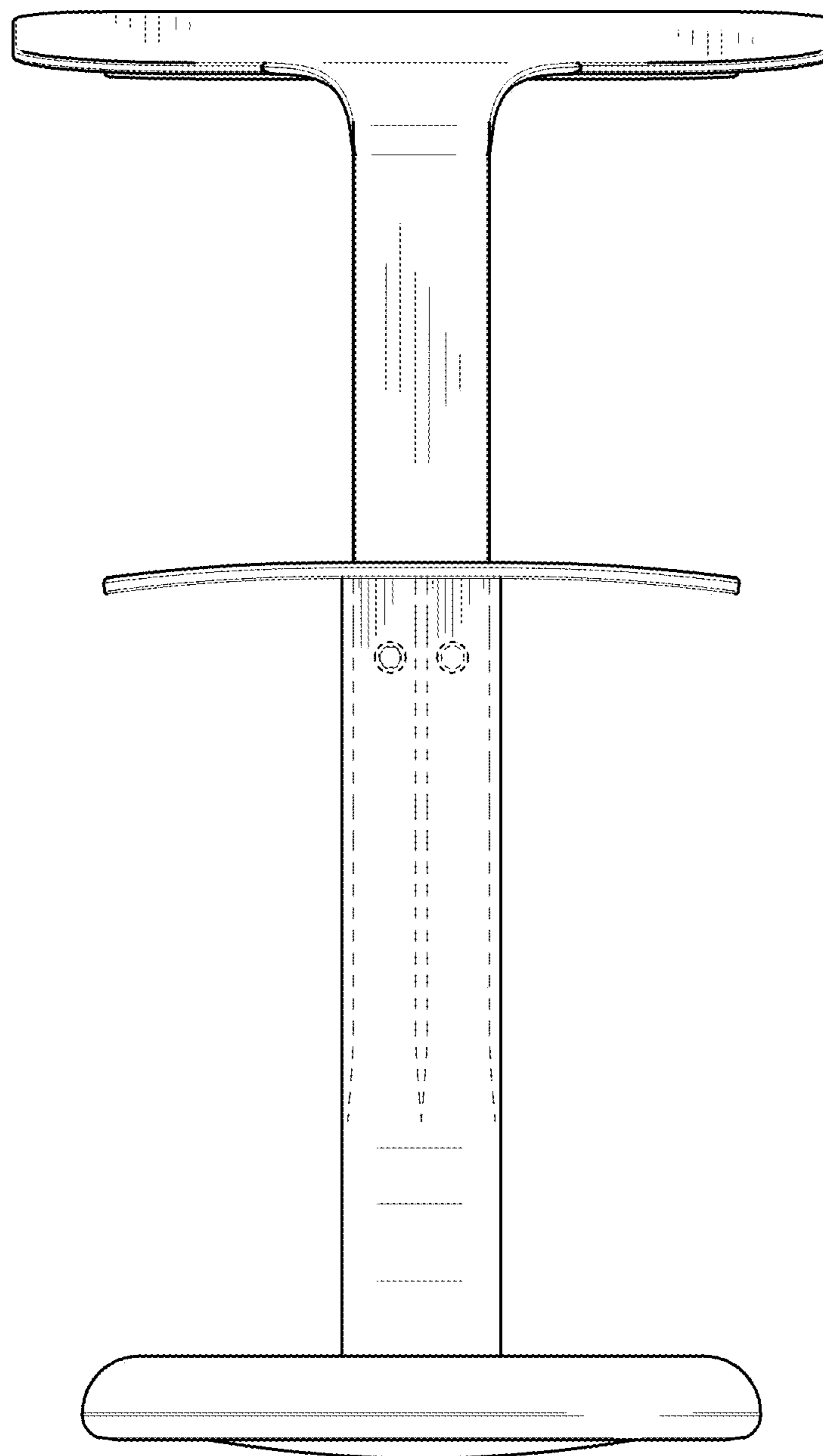


FIG. 4

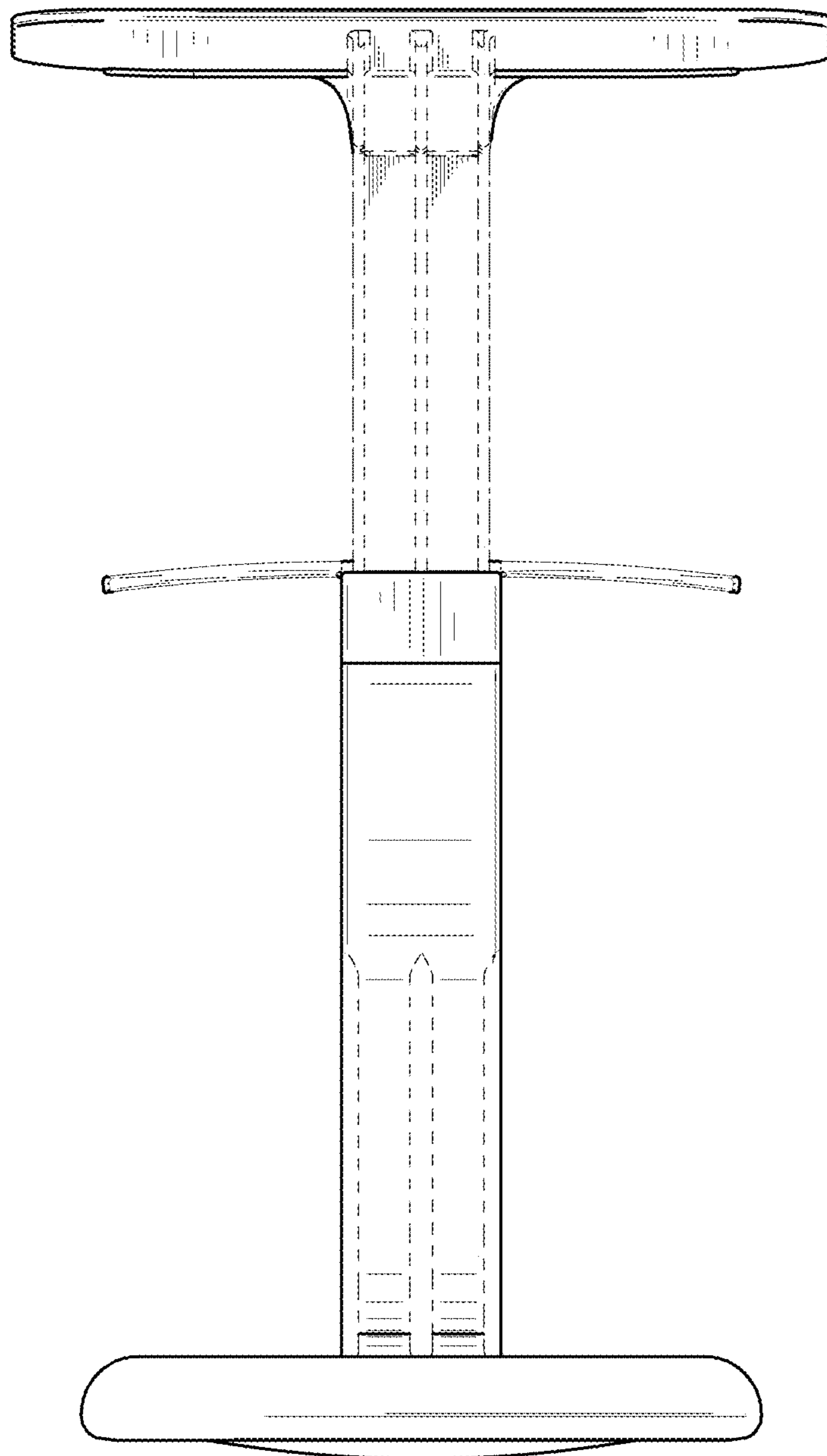


FIG. 5

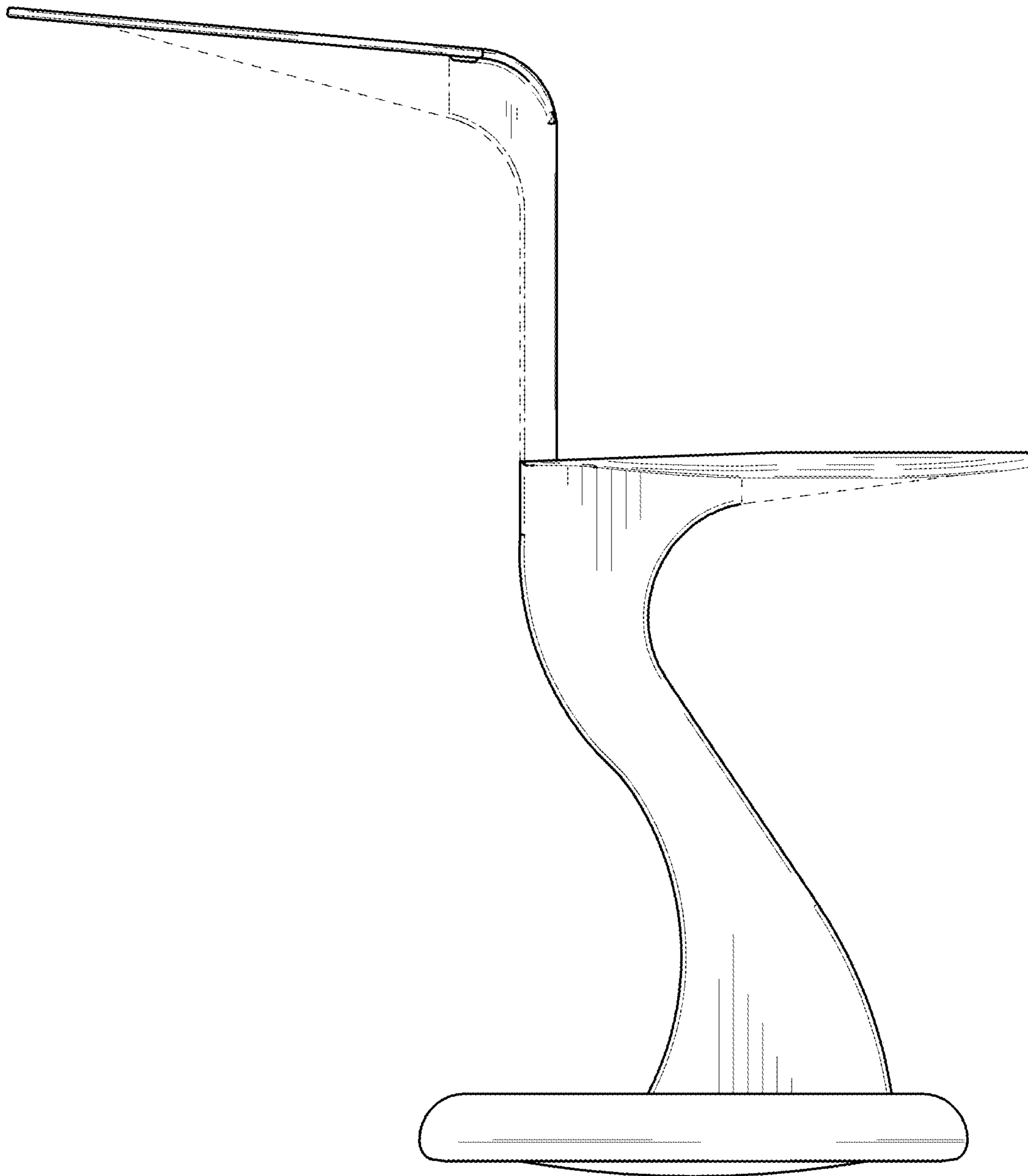


FIG. 6

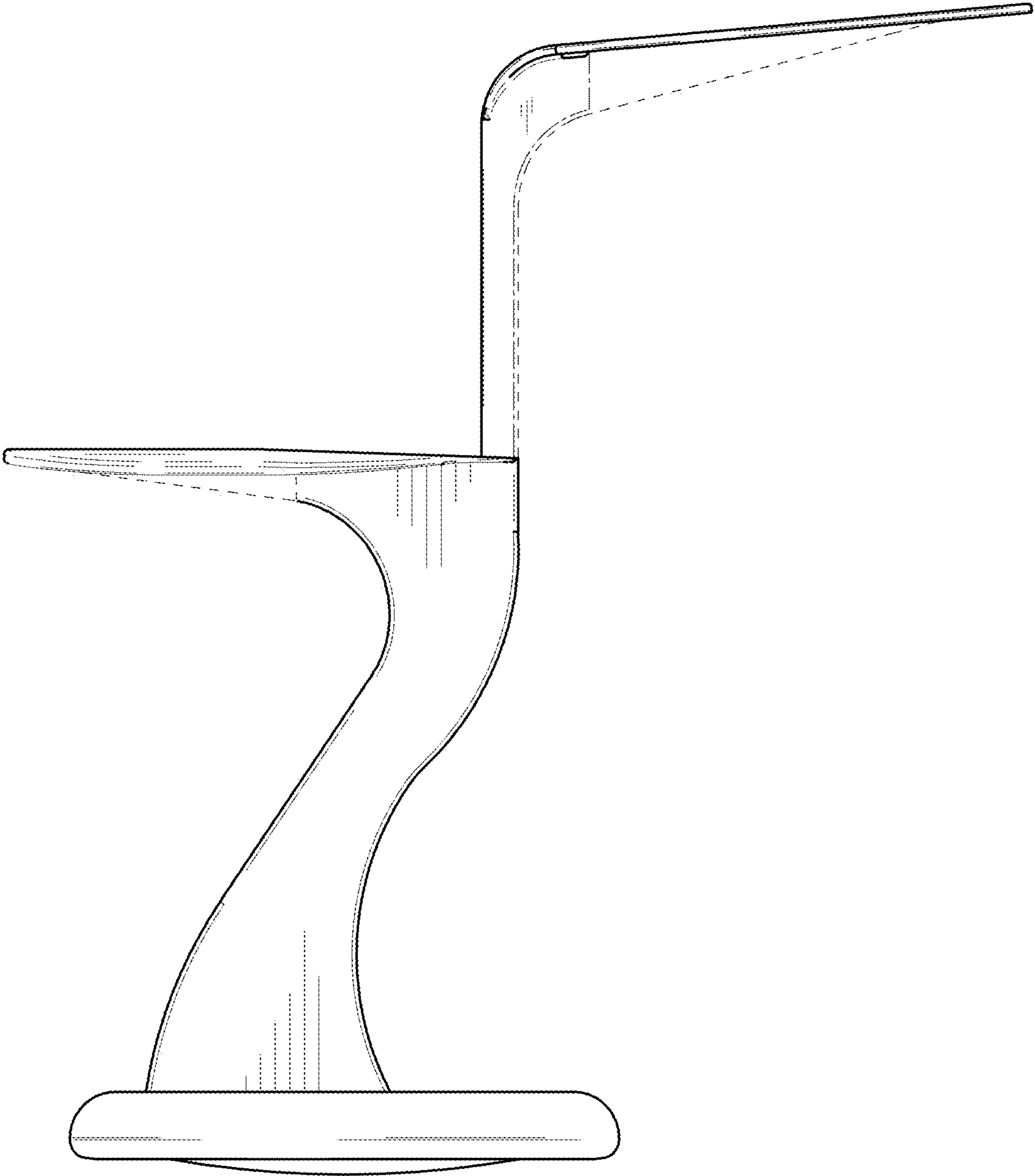


FIG. 7

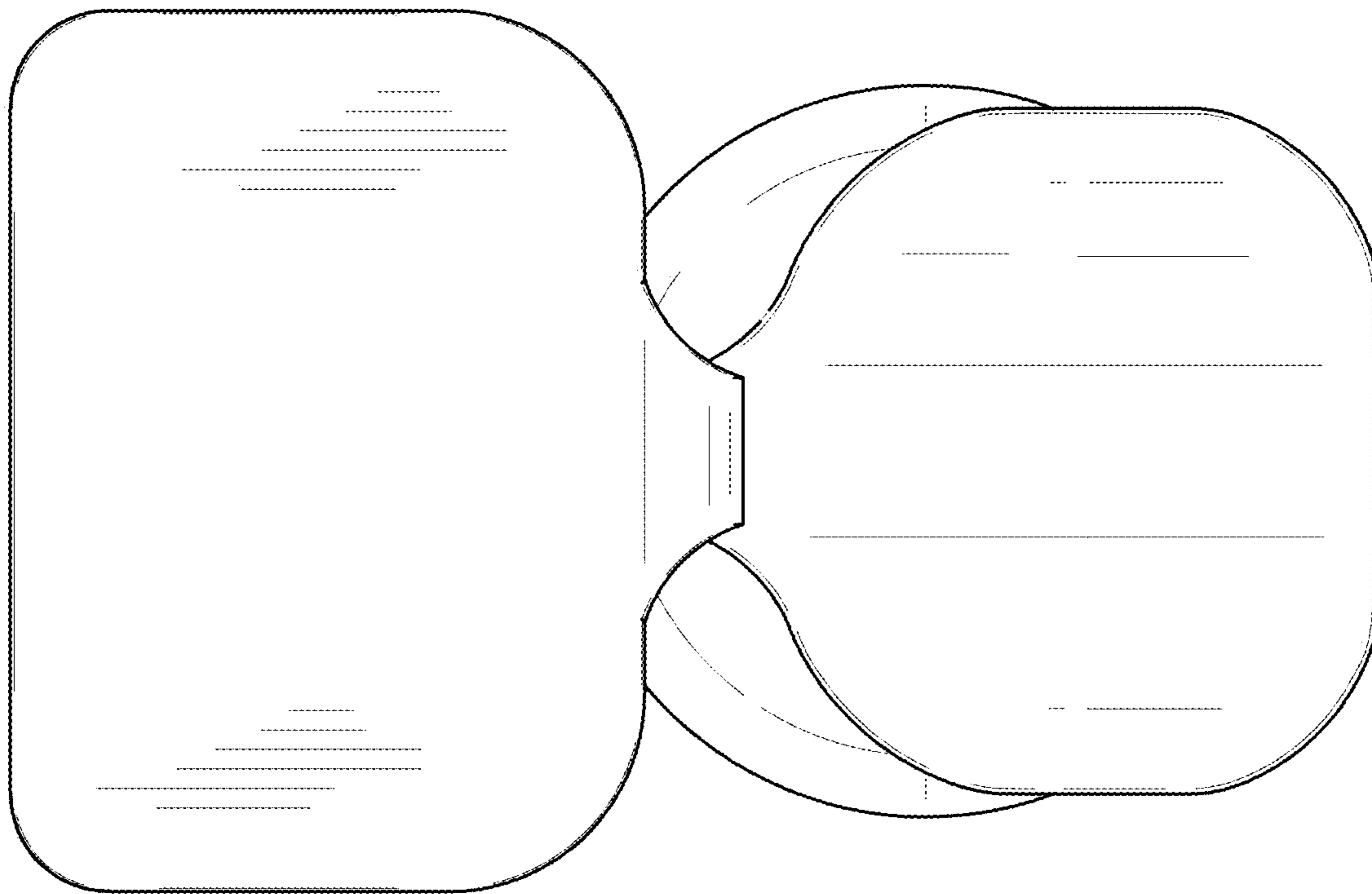


FIG. 8

