



US00D905454S

(12) **United States Design Patent** (10) **Patent No.:** **US D905,454 S**
Kanthasamy (45) **Date of Patent:** **** *Dec. 22, 2020**

(54) **CONVERTIBLE ROLL ARM SOFA**

(71) Applicant: **Abedan Kanthasamy**, Mississauga (CA)

(72) Inventor: **Abedan Kanthasamy**, Mississauga (CA)

(*) Notice: This patent is subject to a terminal disclaimer.

(**) Term: **15 Years**

(21) Appl. No.: **29/682,046**

(22) Filed: **Mar. 1, 2019**

(30) **Foreign Application Priority Data**

Dec. 20, 2018 (CA) 185386

(51) **LOC (12) Cl.** **06-01**

(52) **U.S. Cl.**
USPC **D6/335; D6/336; D6/381**

(58) **Field of Classification Search**
USPC D6/334, 335, 374, 375, 377, 381
CPC A47C 17/00; A47C 17/02; A47C 17/04;
A47C 17/045; A47C 17/13; A47C
17/132; A47C 17/134; A47C 17/16; A47C
17/162; A47C 17/17; A47C 17/18; A47C
17/20; A47C 17/86

See application file for complete search history.

(56) **References Cited**

U.S. PATENT DOCUMENTS

- D151,295 S * 10/1948 Stanley D6/336
- 2,452,642 A * 11/1948 Ewing A47C 17/12
297/116
- 2,658,208 A * 11/1953 Stauffer A47C 17/161
5/27
- D179,829 S * 3/1957 Wilson D6/377
- D618,929 S * 7/2010 Yeong D6/381
- D621,174 S * 8/2010 Kanthasamy D6/381

(Continued)

Primary Examiner — Cathron C Brooks

(74) *Attorney, Agent, or Firm* — Harness, Dickey & Pierce, P.L.C.

(57) **CLAIM**

The ornamental design for a convertible roll arm sofa, as shown and described.

DESCRIPTION

FIG. 1 is a front view of the convertible roll arm sofa in a first position;

FIG. 2 is a perspective view of the convertible roll arm sofa in the first position;

FIG. 3 is a perspective view of the convertible roll arm sofa in a second position;

FIG. 4 is a perspective view of the convertible roll arm sofa in a third position;

FIG. 5 is a perspective view of the convertible roll arm sofa in a fourth position;

FIG. 6 is a perspective view of the convertible roll arm sofa in a fifth position;

FIG. 7 is a perspective view of the convertible roll arm sofa in a sixth position;

FIG. 8 is a right side view of the convertible roll arm sofa in the third position;

FIG. 9 is a left side view of the convertible roll arm sofa in the third position;

FIG. 10 is a right side view of the convertible roll arm sofa in the fourth position;

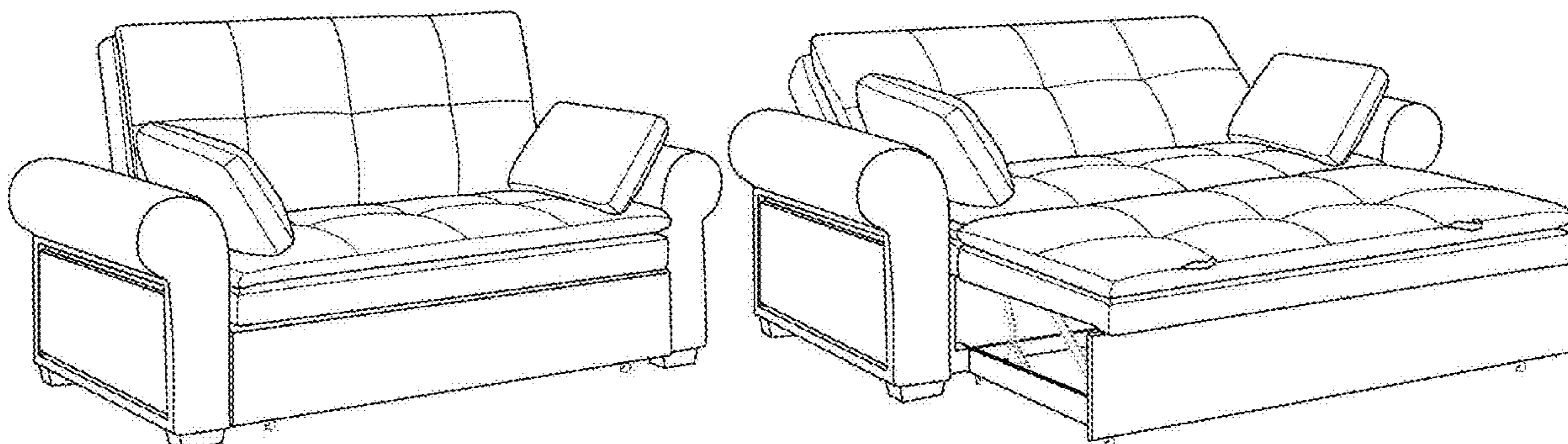
FIG. 11 is a left side view of the convertible roll arm sofa in the fourth position;

FIG. 12 is a perspective view of the convertible roll arm sofa in a seventh position with arrows indicating the direction of movement; and,

FIG. 13 is a perspective view of the convertible roll arm sofa in an eighth position with arrows indicating the direction of movement.

The broken line showing of the linkage and wheels in the drawings forms no part of the claimed design.

1 Claim, 13 Drawing Sheets



(56)

References Cited

U.S. PATENT DOCUMENTS

8,434,415 B1 * 5/2013 Federici A47C 7/62
108/38
D719,753 S * 12/2014 Pathiratne D6/381
D738,130 S * 9/2015 Starck D6/381
D811,100 S * 2/2018 Andersen D6/335
10,123,627 B2 * 11/2018 King A47C 7/50
D841,992 S * 3/2019 Kershner D6/335
2011/0012393 A1 * 1/2011 Kanthasamy A47B 83/02
297/173
2013/0191989 A1 * 8/2013 Smith A47C 17/165
5/17
2016/0206109 A1 * 7/2016 Nault A47C 17/16

* cited by examiner

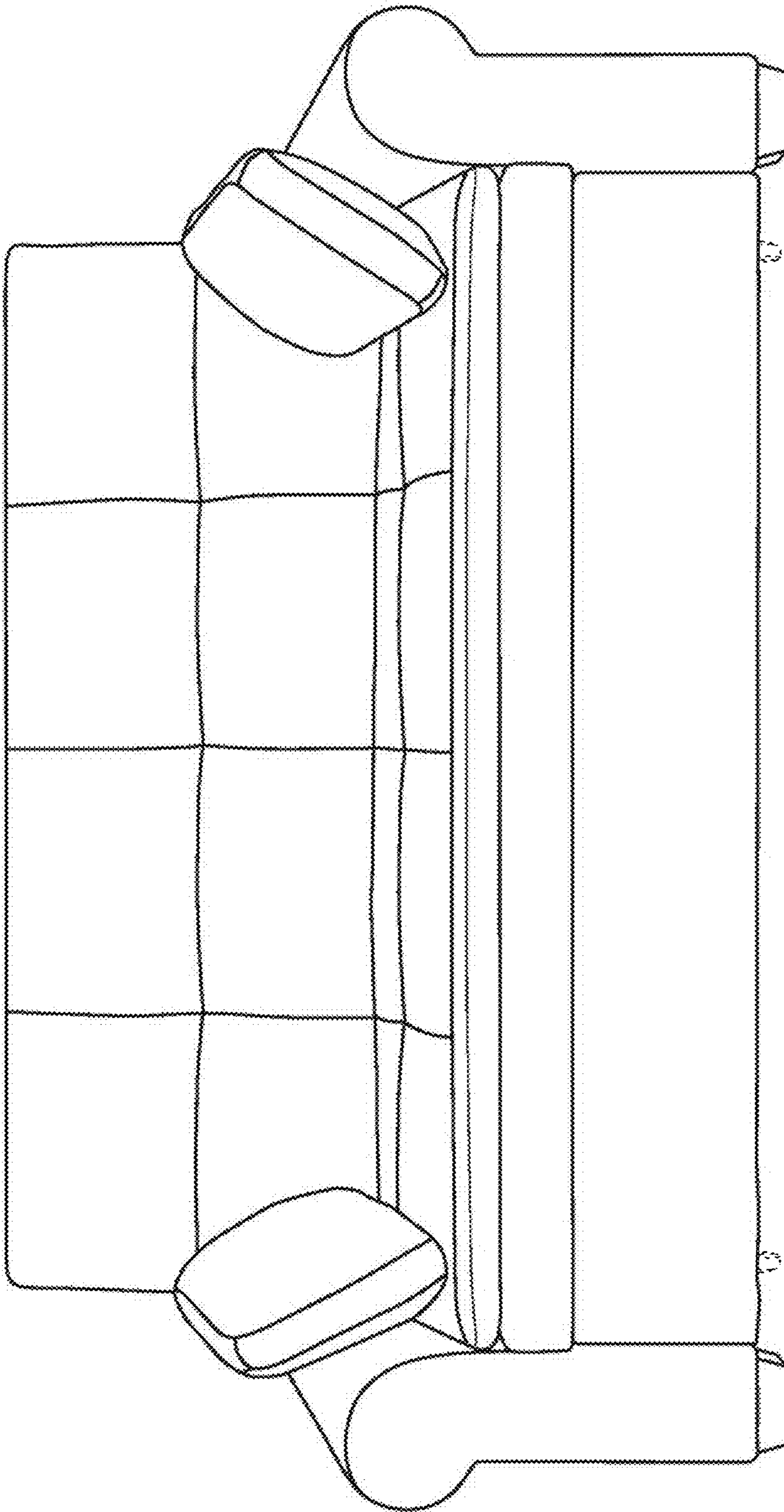


FIG. 1

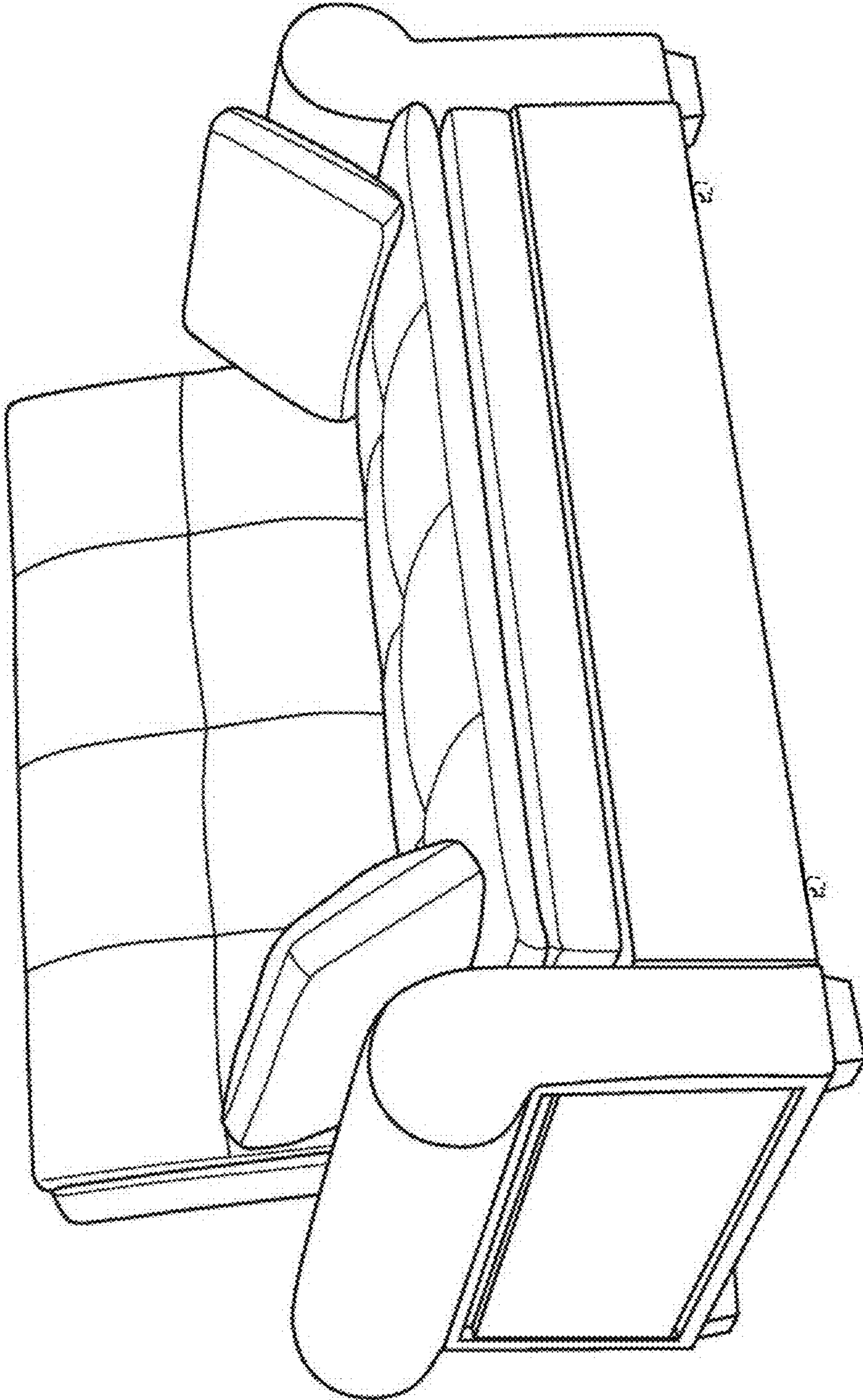


FIG. 2

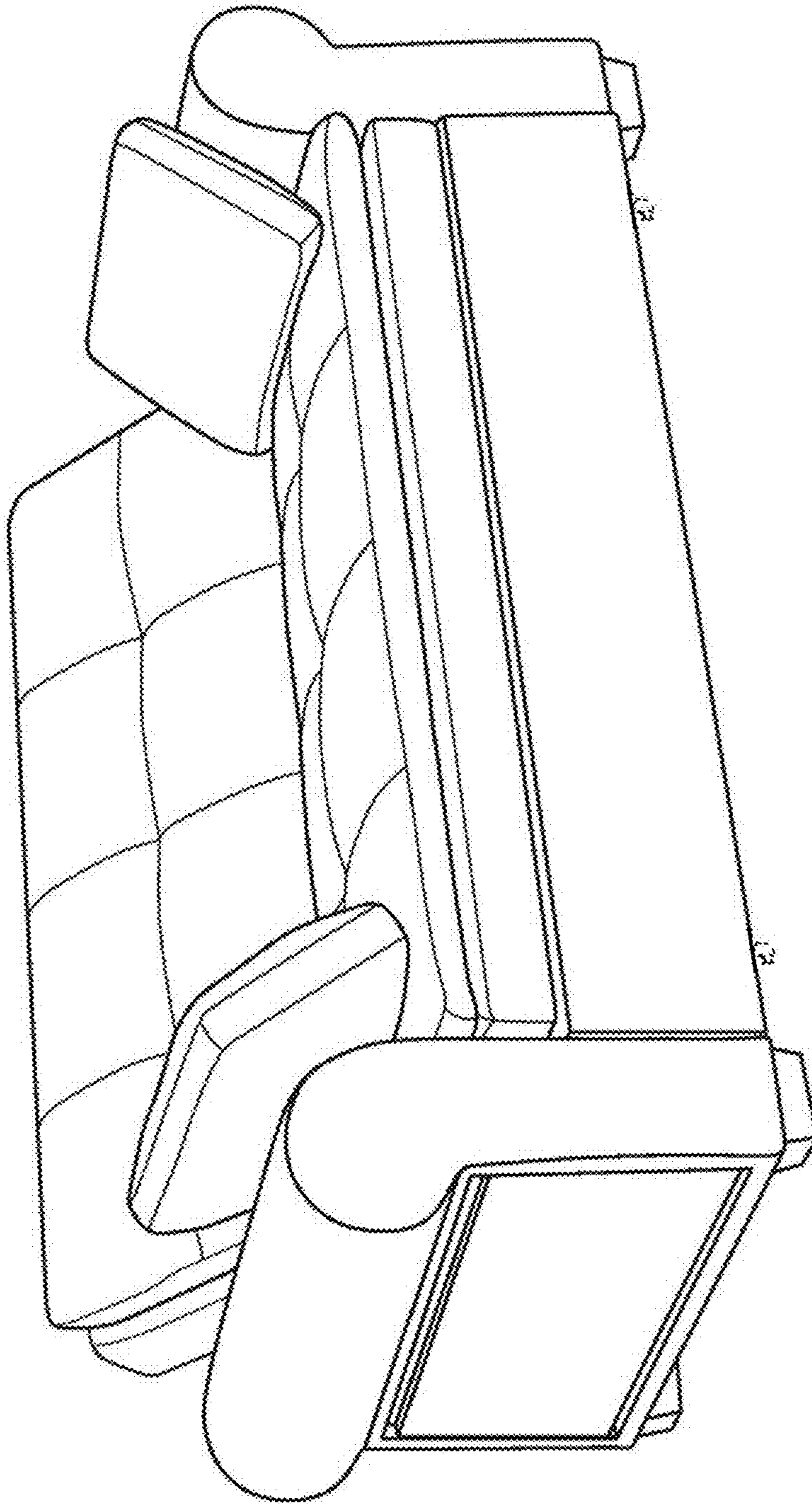


FIG. 3

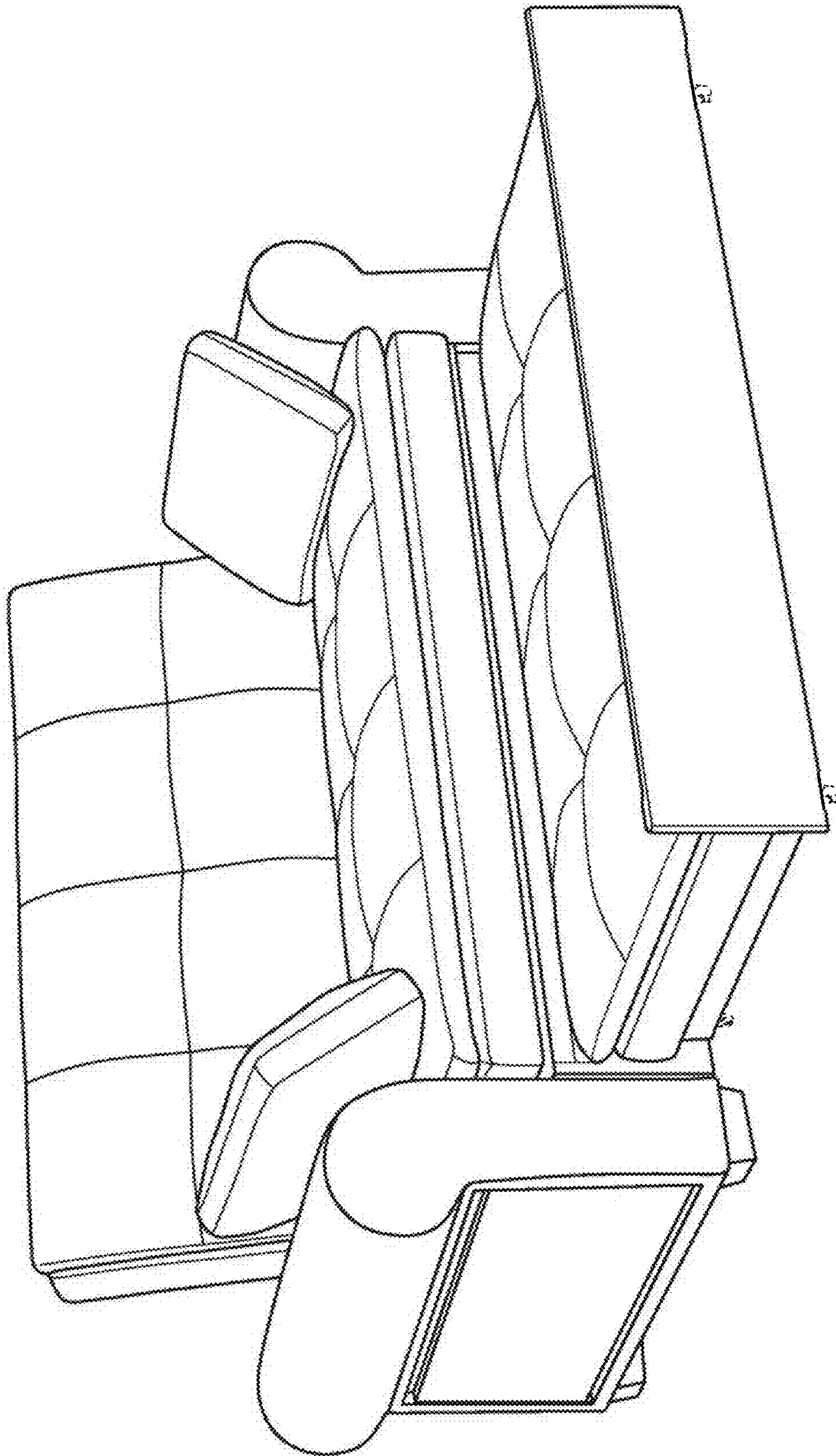


FIG. 4

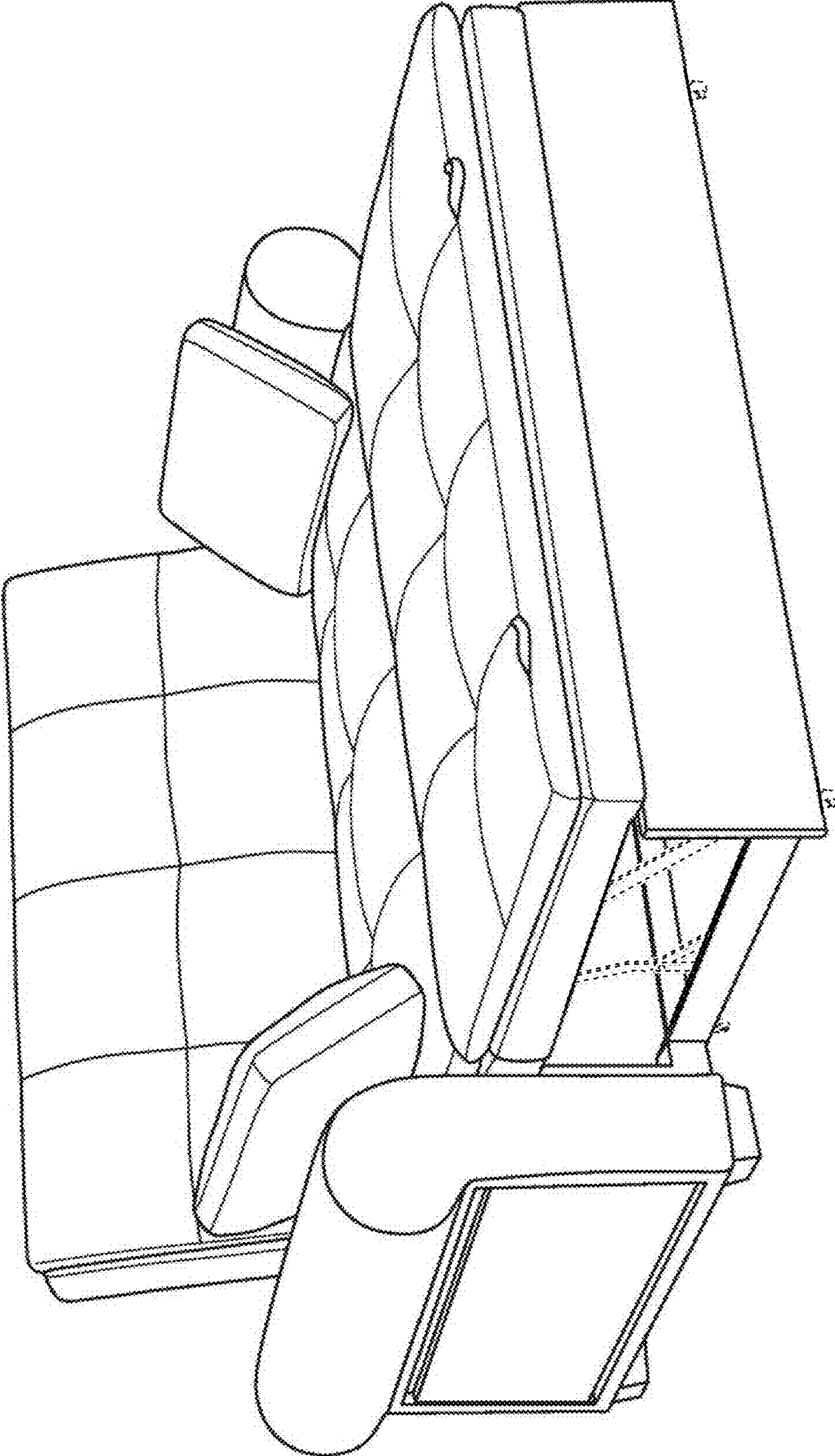


FIG. 5

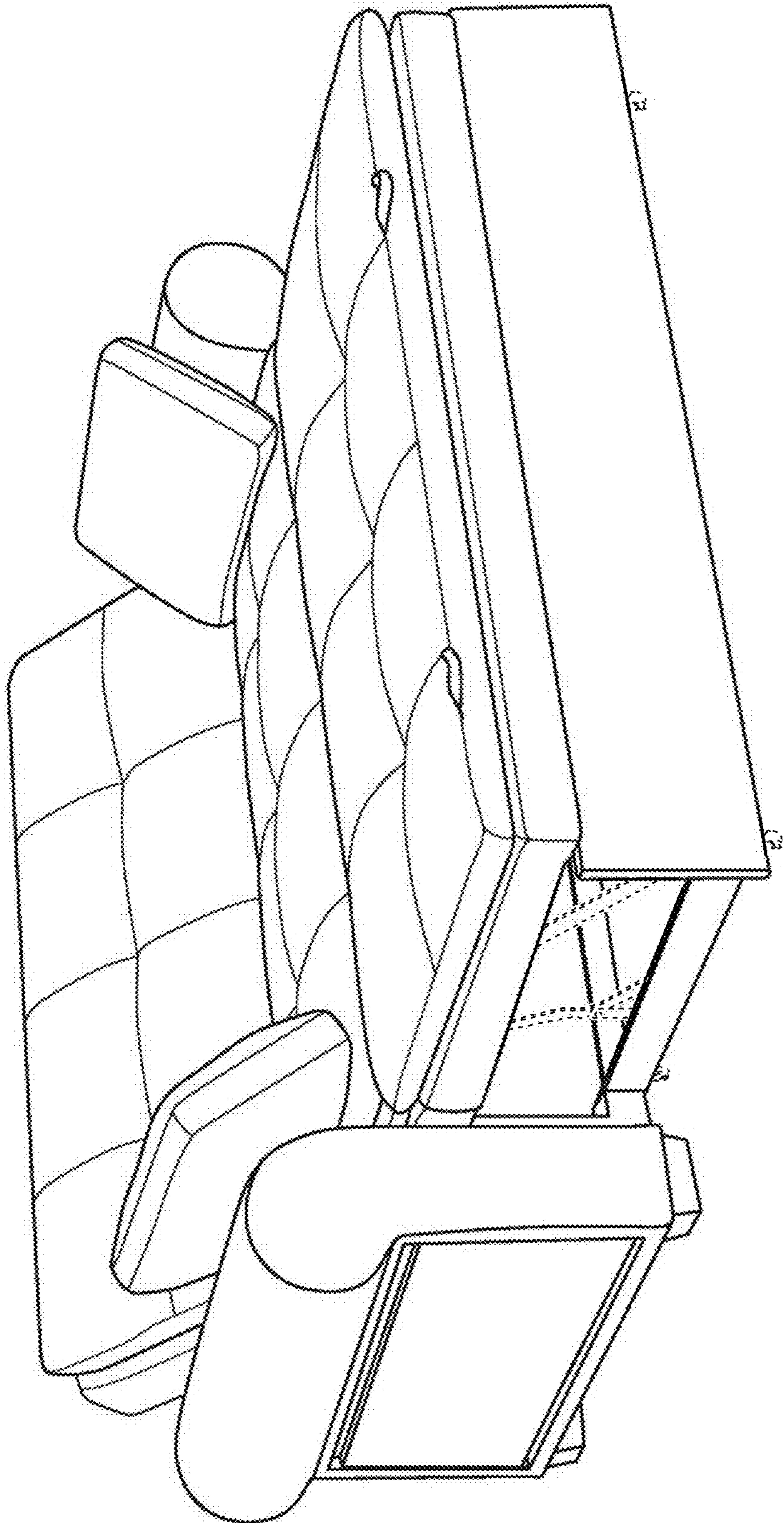


FIG. 6

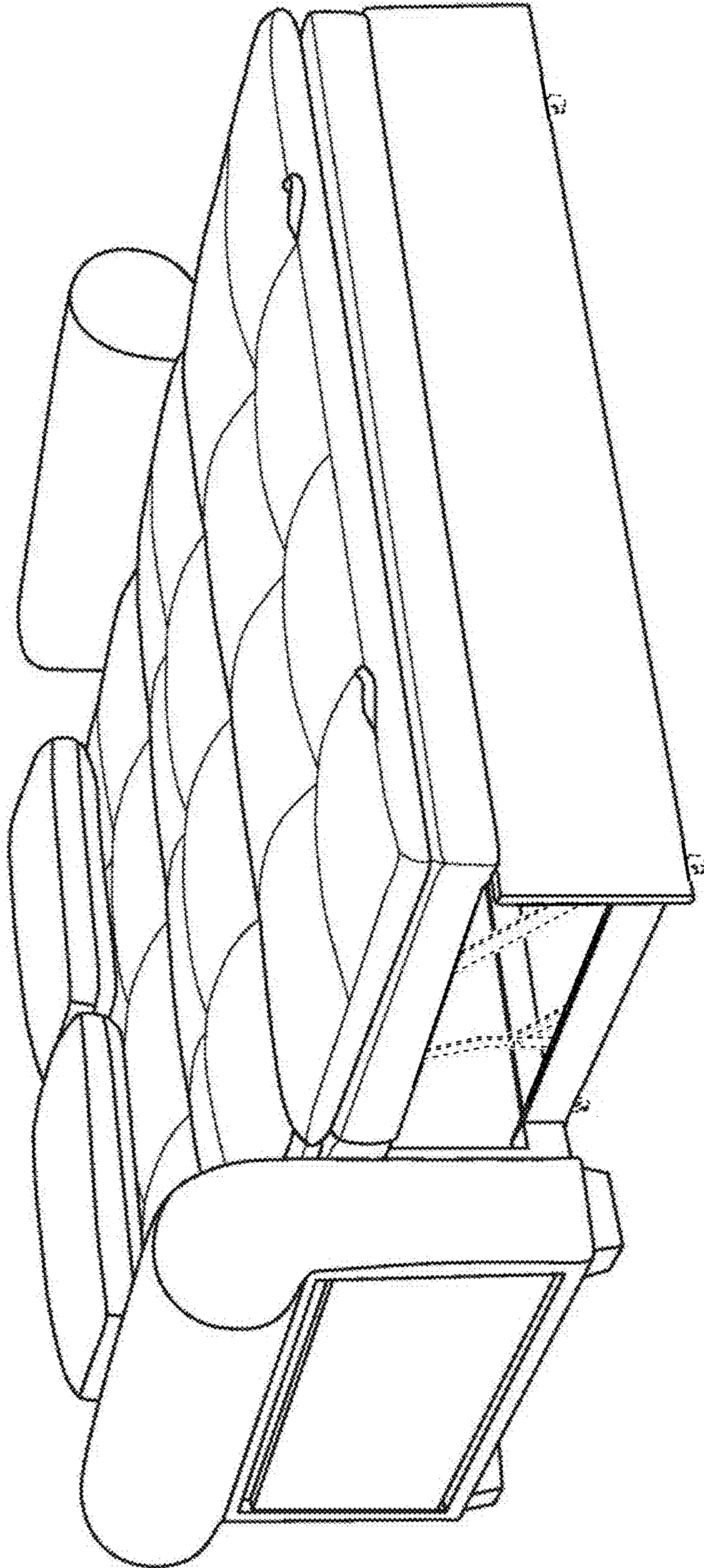


FIG. 7

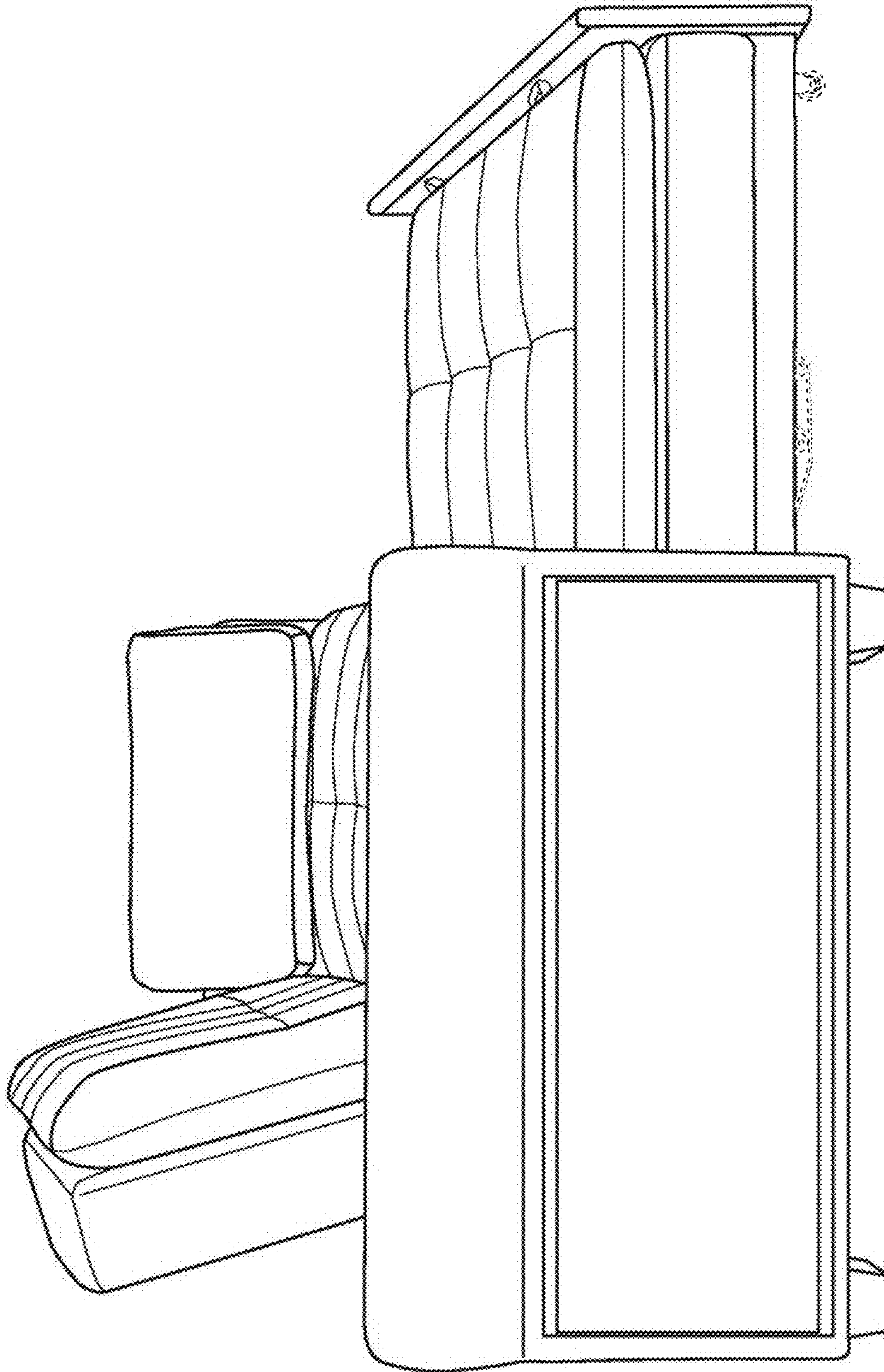


FIG. 8

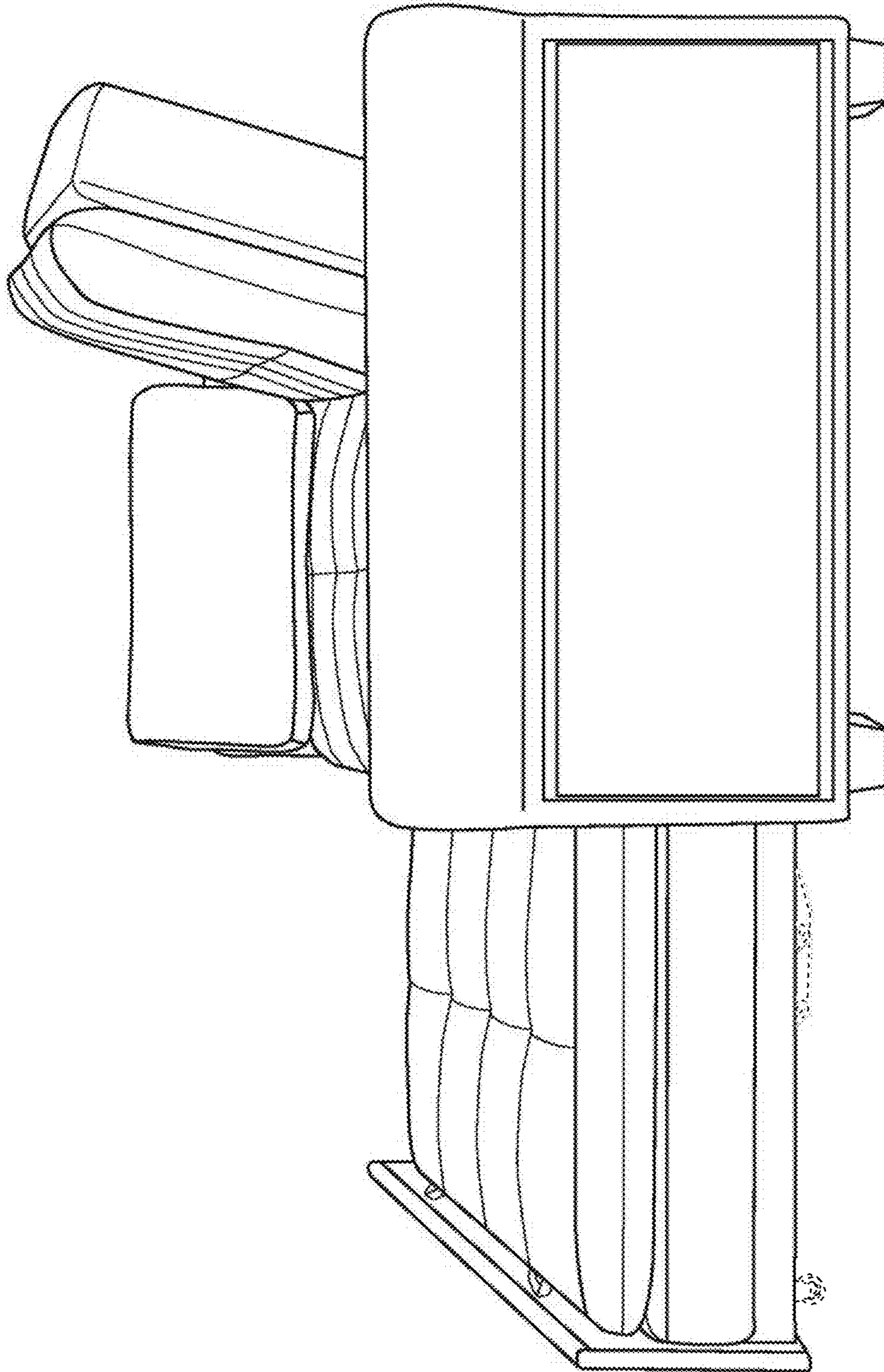


FIG. 9

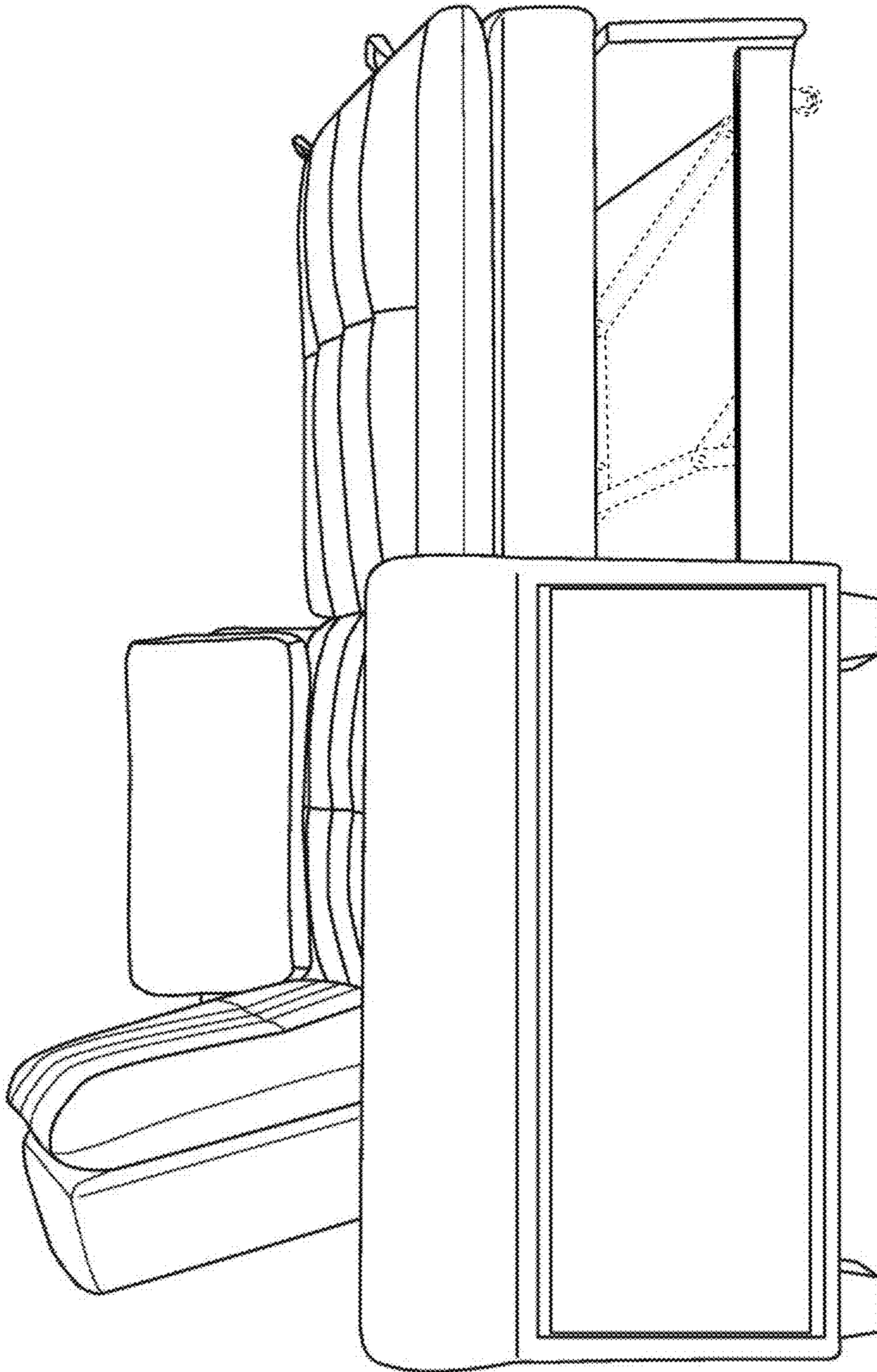


FIG. 10

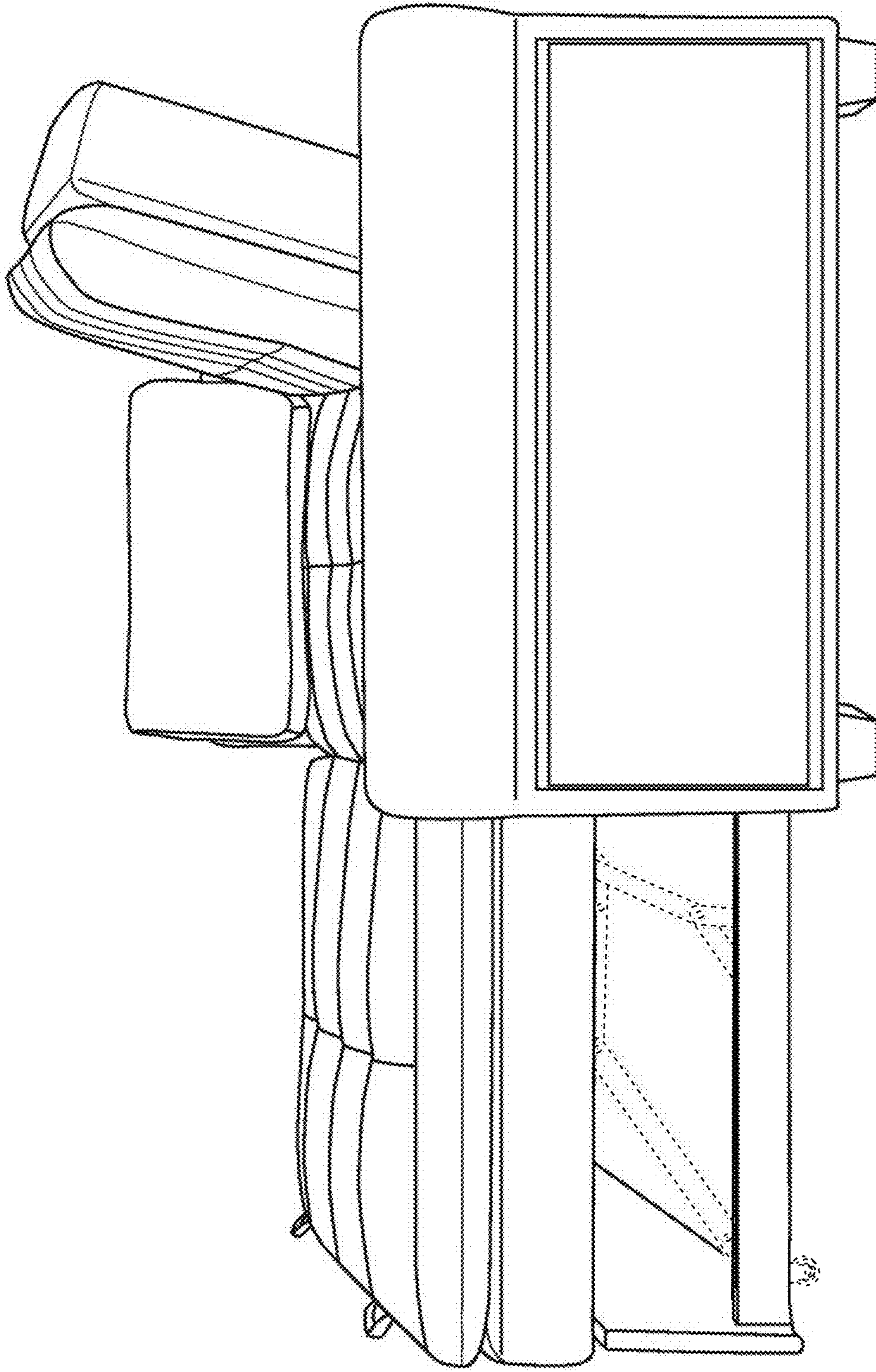


FIG. 11

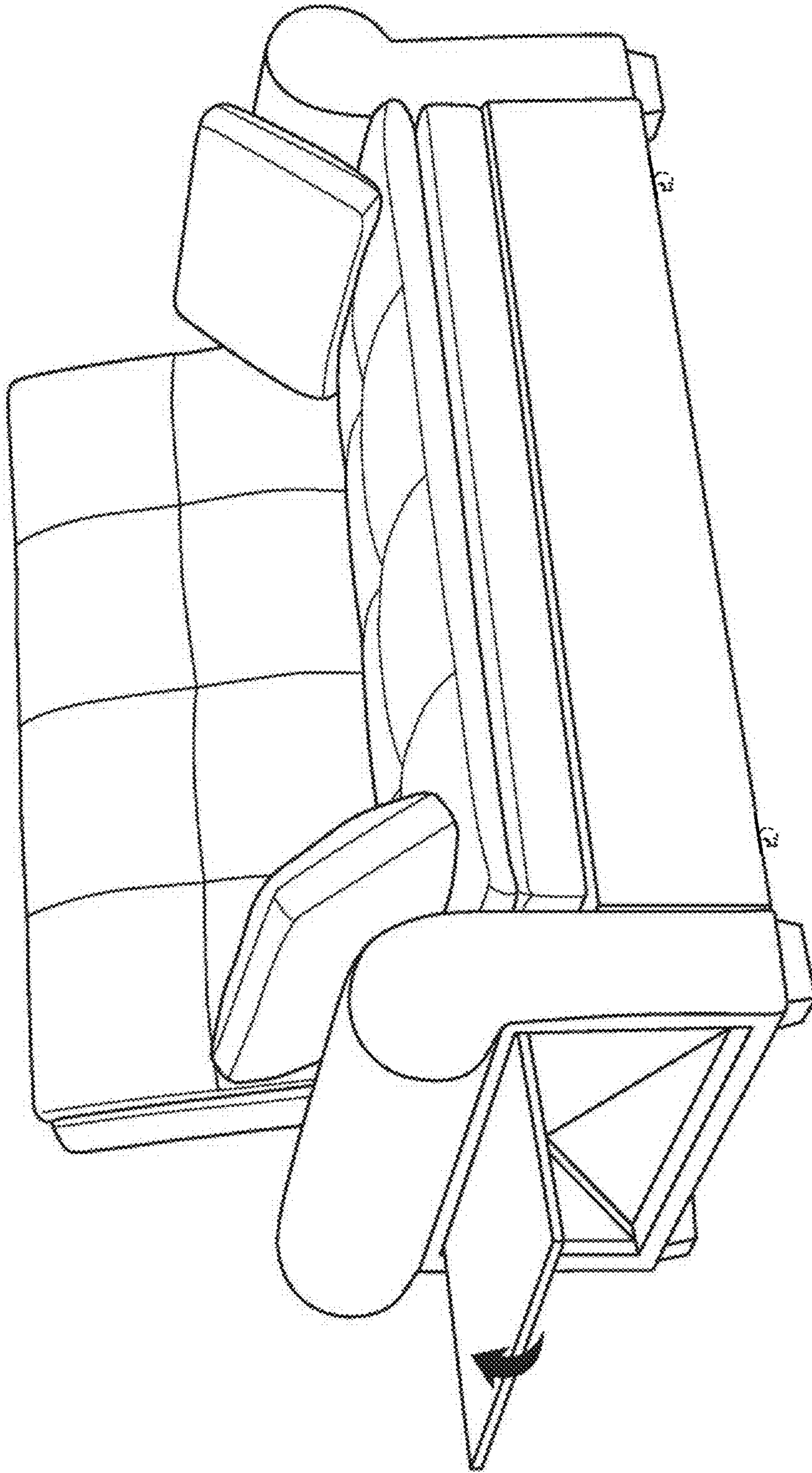


FIG. 12

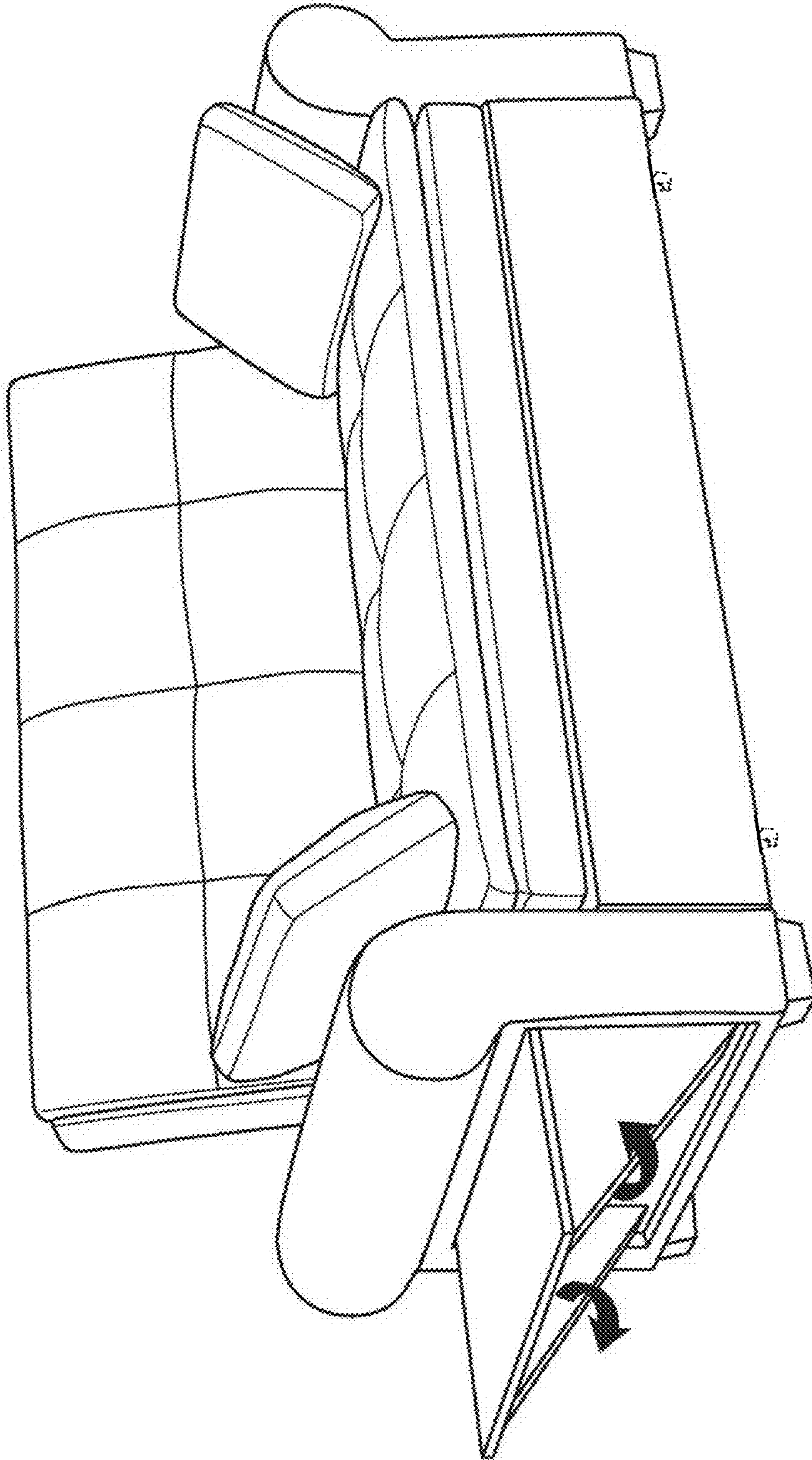


FIG. 13